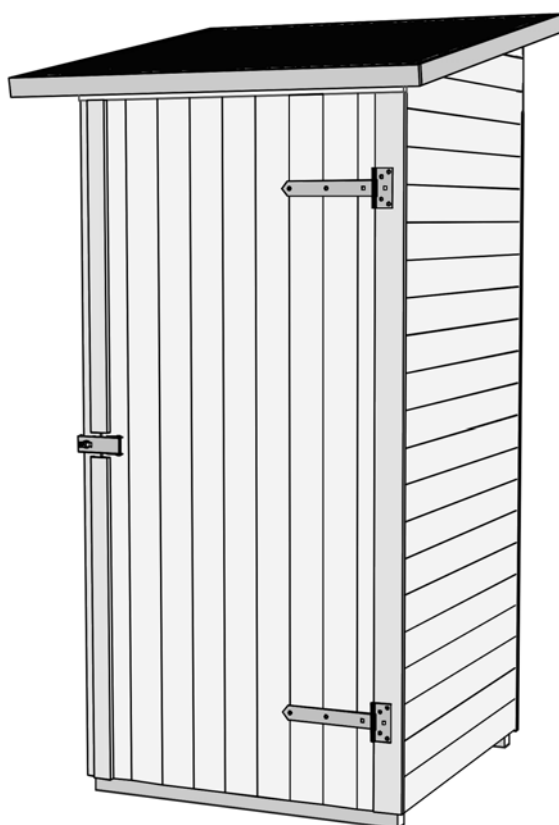
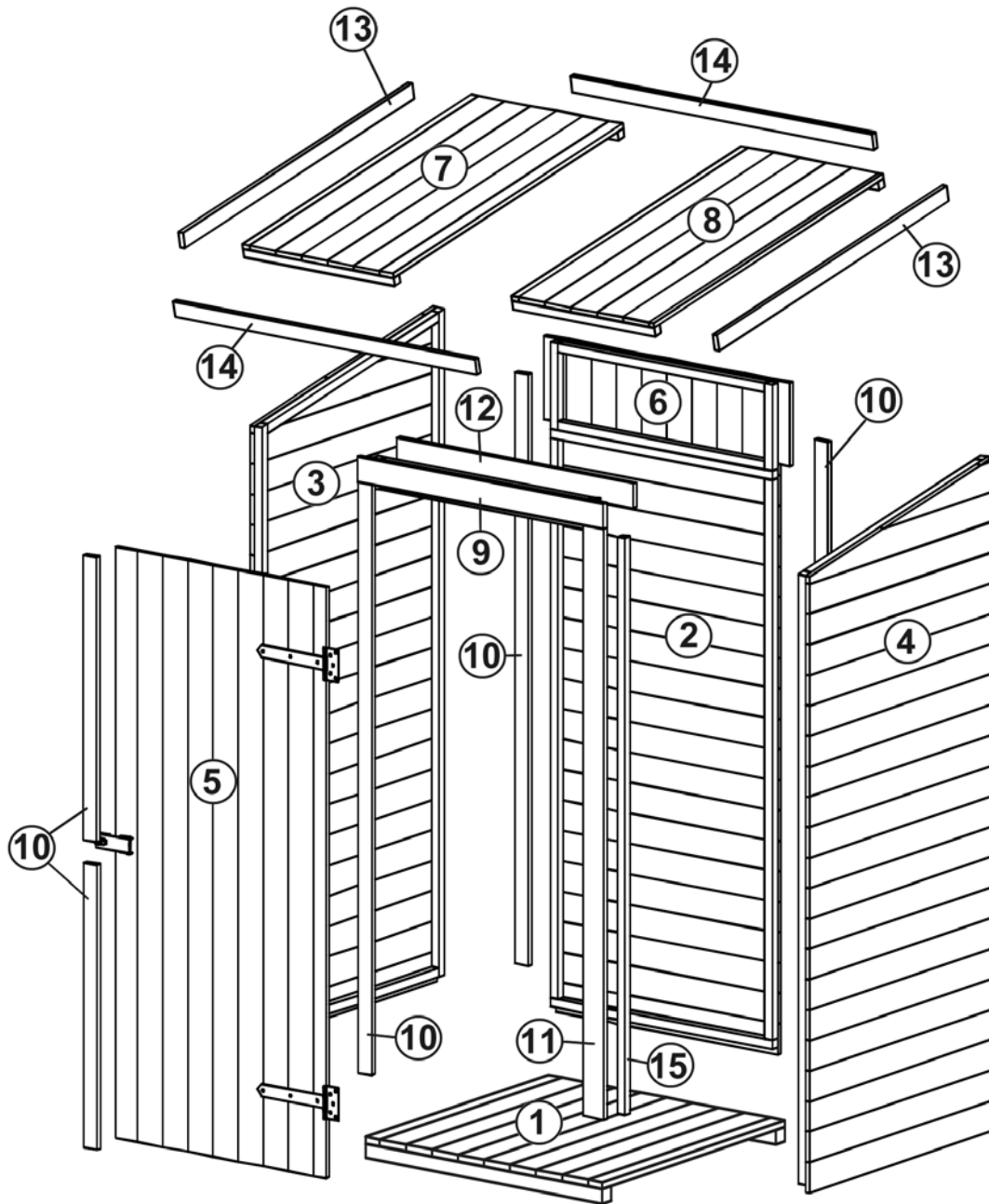







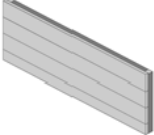

Montageanleitung




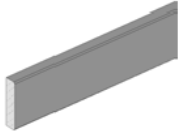
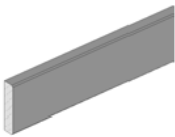


| | | | |
|----|--------------------------|-----|---------------------|
| GB | Assembly instructions | H | szerelési utasítás |
| F | notice de montage | NL | montagehandleiding |
| I | istruzioni di montaggio | HR | uputstvo za montažu |
| E | Instrucciones de montaje | SLO | navodilo za uporabo |
| P | Instruções de montagem | | |















Art.-Nr.: 361.0908.30400



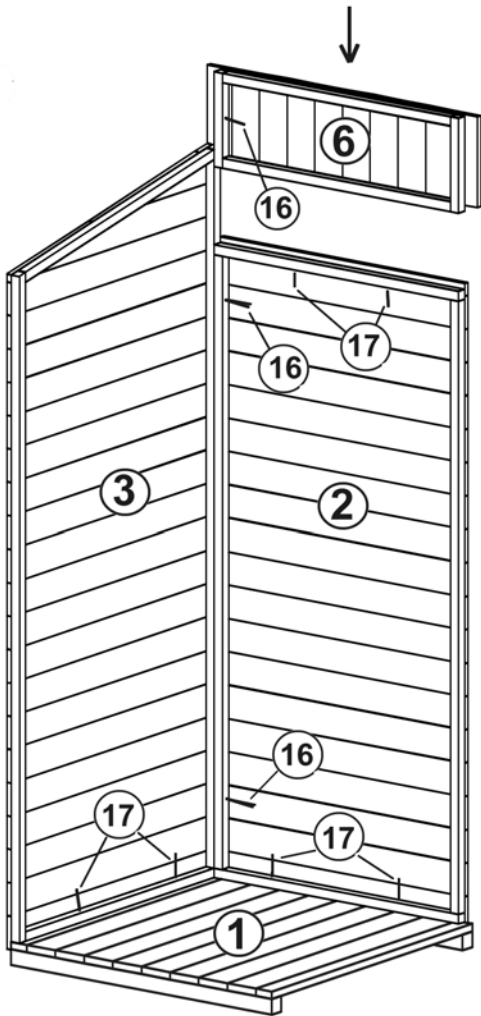
| Pos. | Bild | Abmessung | Stück |
|------|---|-----------|-------|
| ① |  | 800x820 | 1 |
| ② |  | 750x1648 | 1 |
| ③ |  | 820x1880 | 1 |
| ④ |  | 820x1880 | 1 |
| ⑤ |  | 710x1650 | 1 |
| ⑥ |  | 830x247 | 1 |
| ⑦ |  | 510x1050 | 1 |

| Pos. | Bild | Abmessung | Stück |
|------|---|------------|-------|
| ⑧ |  | 480x1050 | 1 |
| ⑨ |  | 830x85 | 1 |
| ⑩ |  | 15/45/1650 | 4 |
| ⑪ |  | 15/70/1650 | 1 |
| ⑫ |  | 15/70/800 | 1 |
| ⑬ |  | 15/45/1050 | 2 |
| ⑭ |  | 15/45/1020 | 2 |

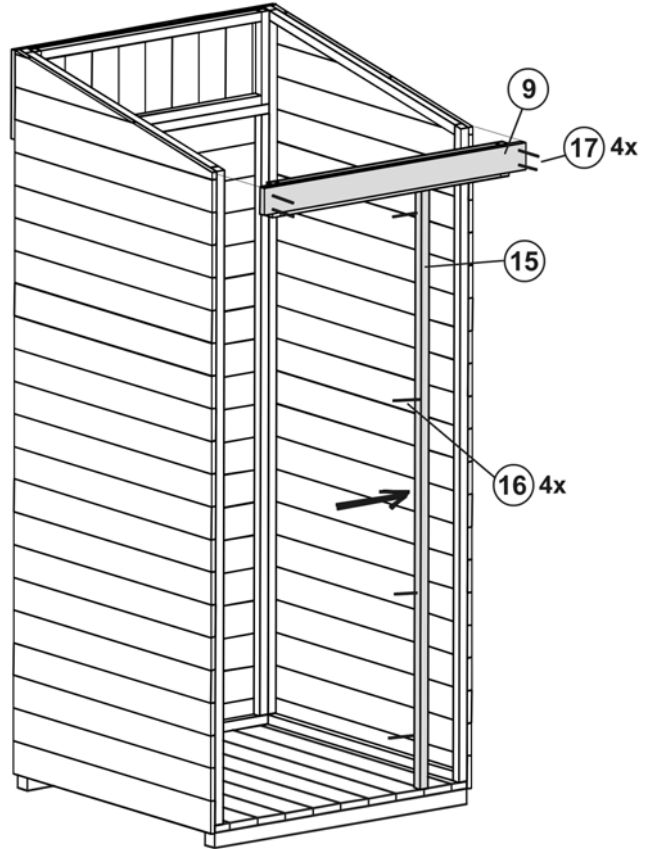
| Pos. | Bild | Abmessung | Stück |
|------|---|------------|-------|
| 15 |  | 25/25/1610 | 1 |
| 16 |  | 4,0 x 60 | 10 |
| 17 |  | 4,0 x 40 | 32 |
| 18 |  | 3,5 x 35 | 70 |
| 19 |  | 3,5 x 25 | 10 |
| 20 |  | 3,5 x 16 | 10 |
| 21 |  | M6 x 60 | 4 |
| 22 |  | 6,4 | 4 |

| Pos. | Bild | Abmessung | Stück |
|------|---|------------|-------|
| 23 |  | | 2 |
| 24 |  | | 1 |
| 25 |  | | 60 |
| 26 |  | 1,2 x 1,0m | 1 |

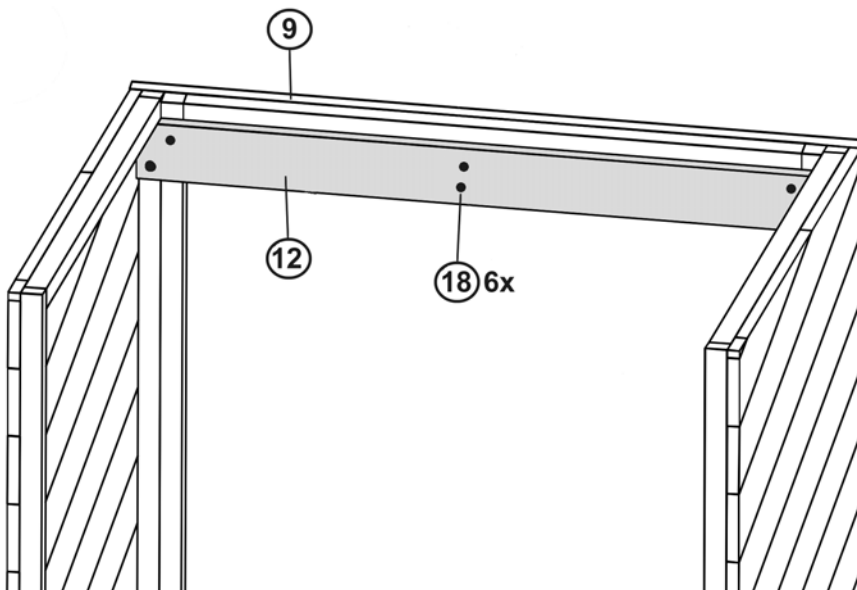
1



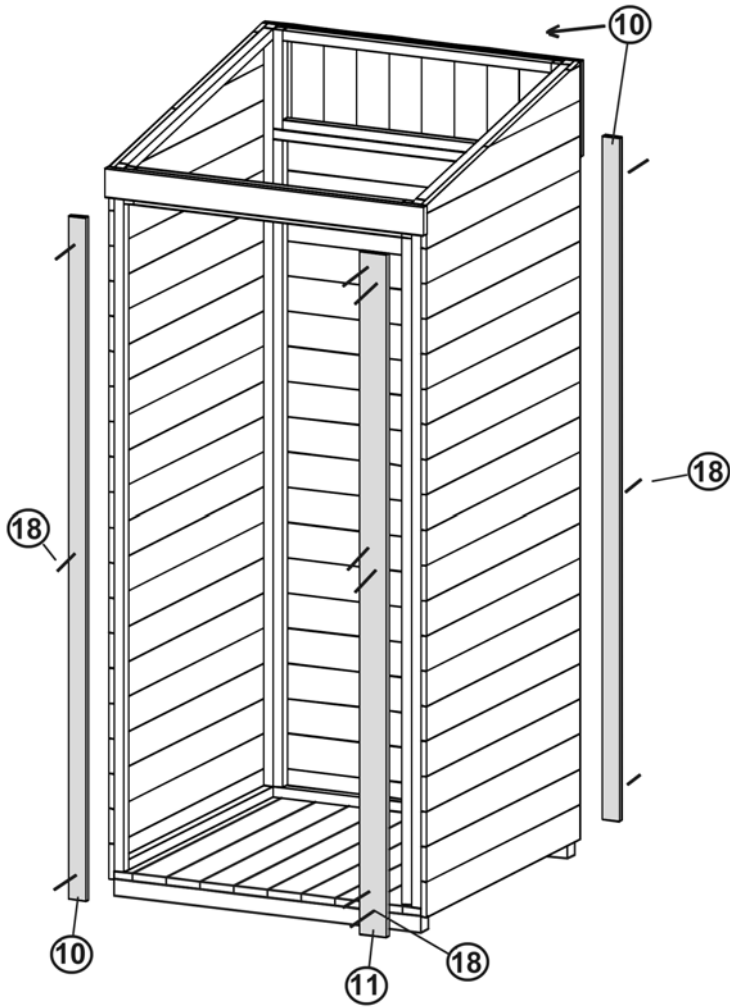
2



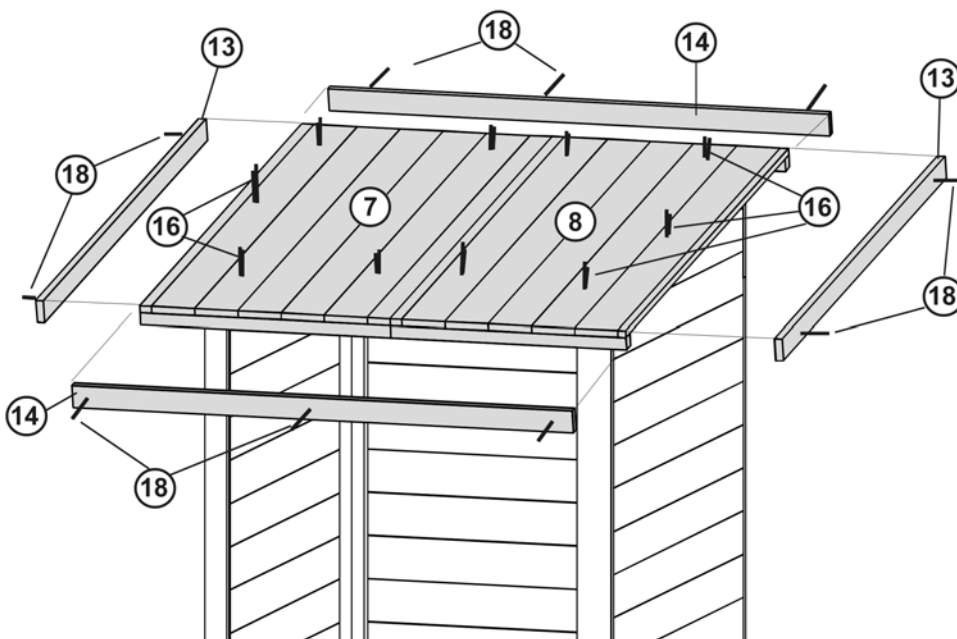
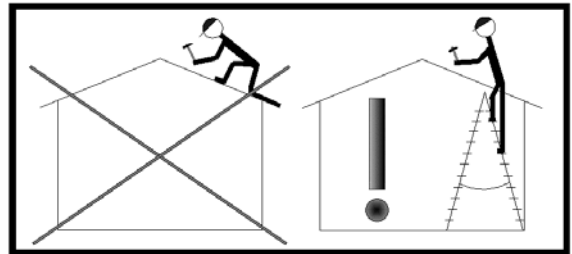
3



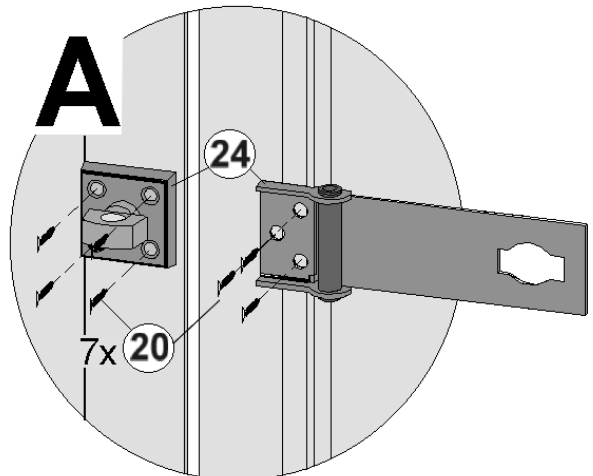
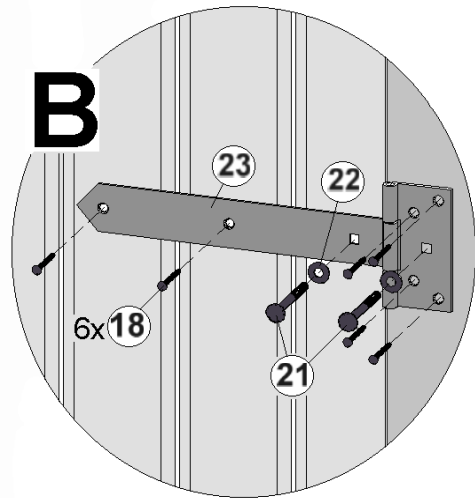
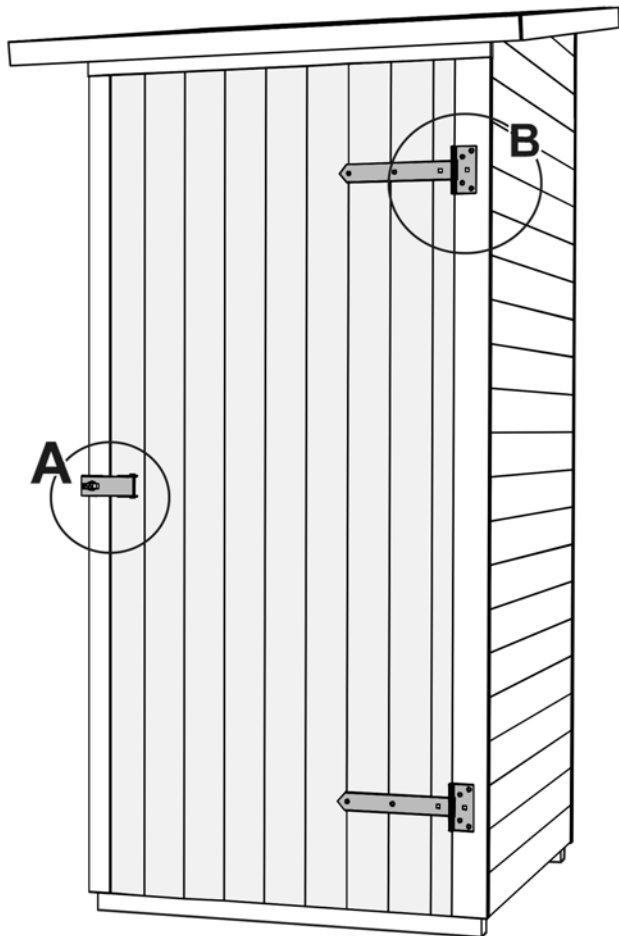
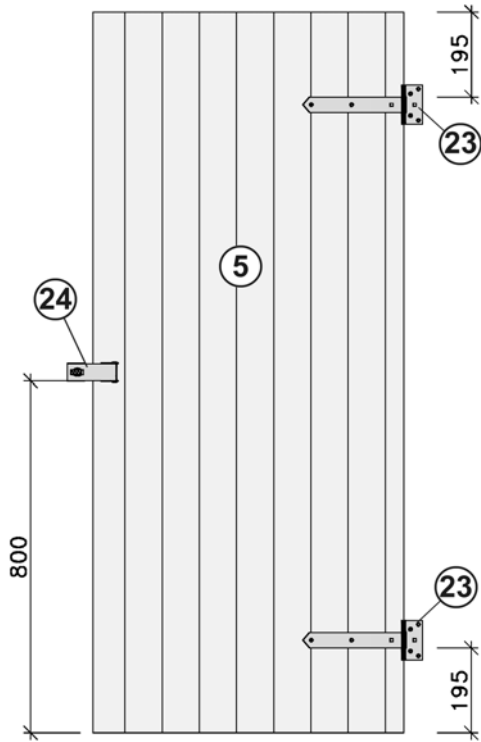
4



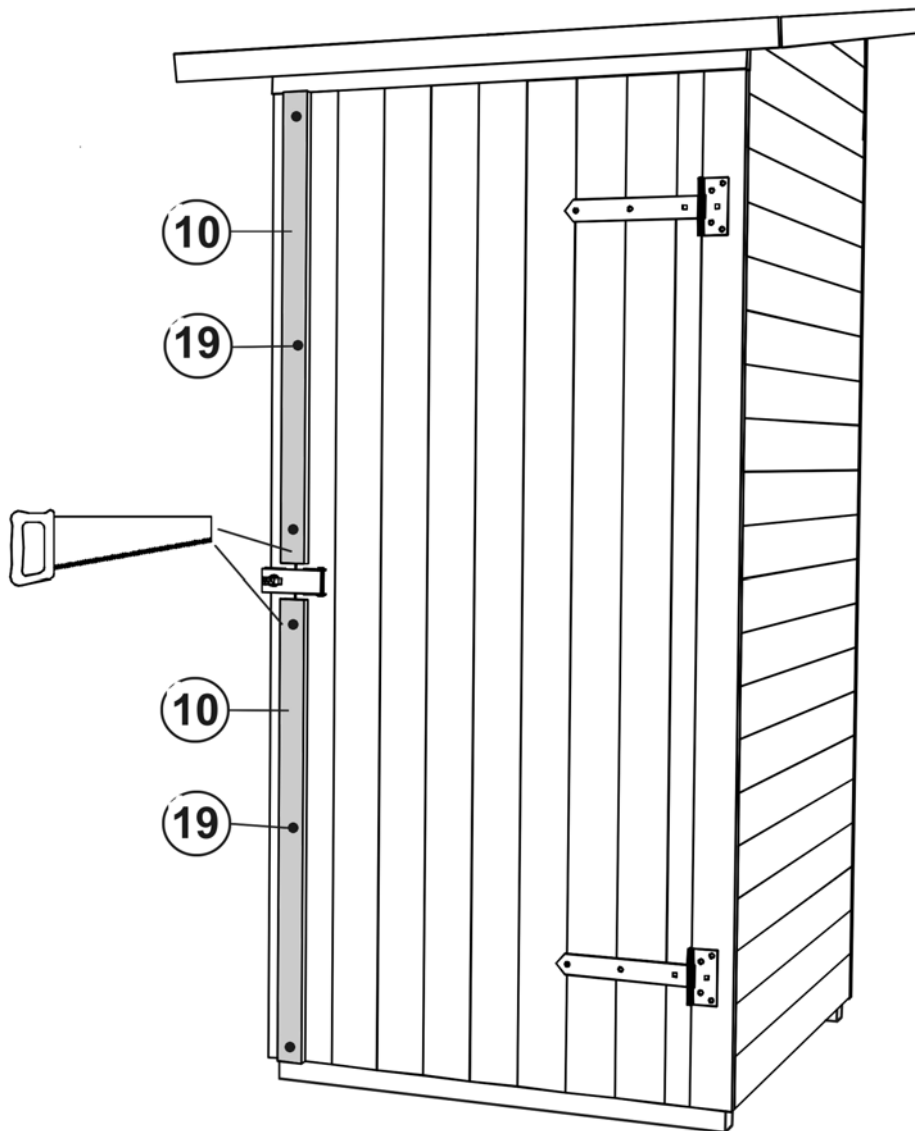
5



6



7



weka Holzbau GmbH,
Johannesstr. 16
D-17034 Neubrandenburg
Tel.: 0395 42908-0
Fax: 0395 42908-83

MA Art.-Nr.: 800.0286.03.97