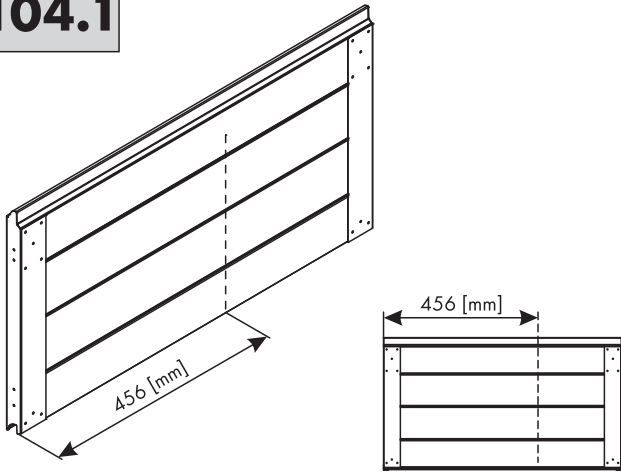


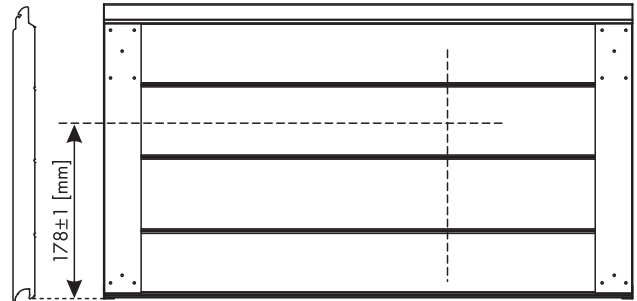
104



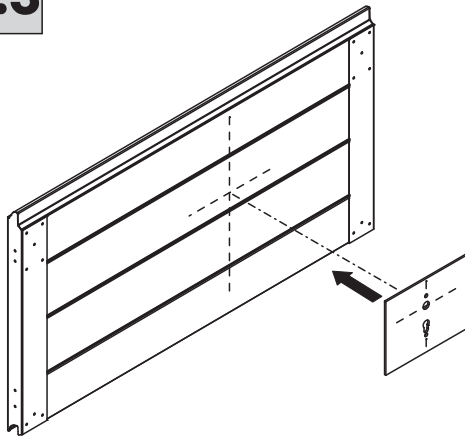
104.1



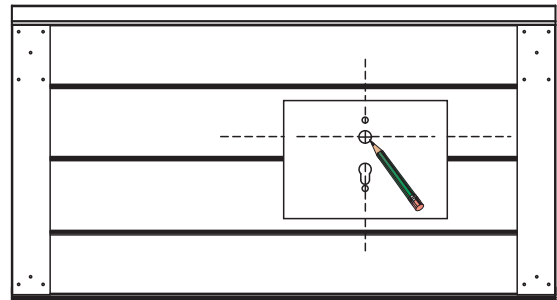
104.2



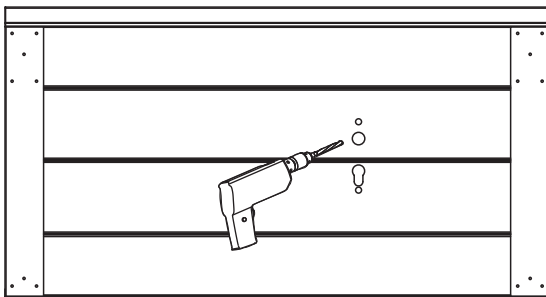
104.3



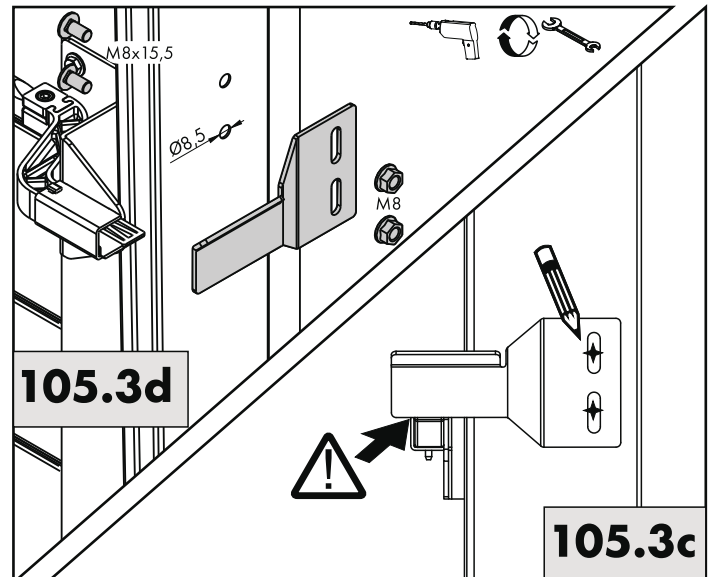
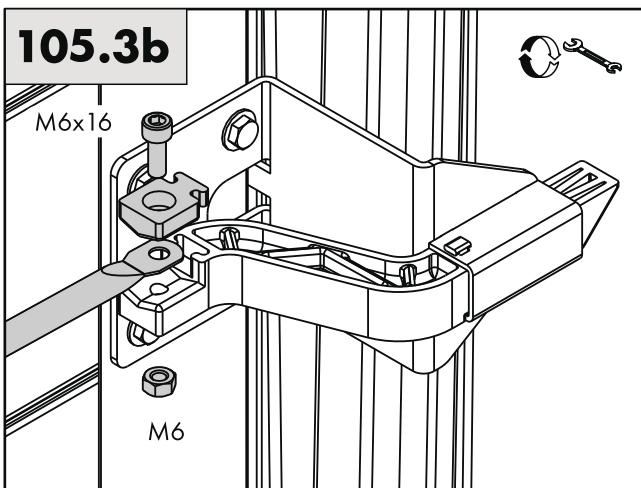
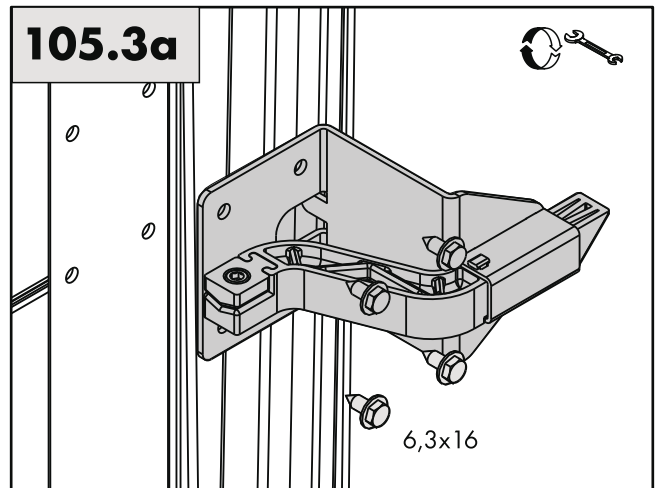
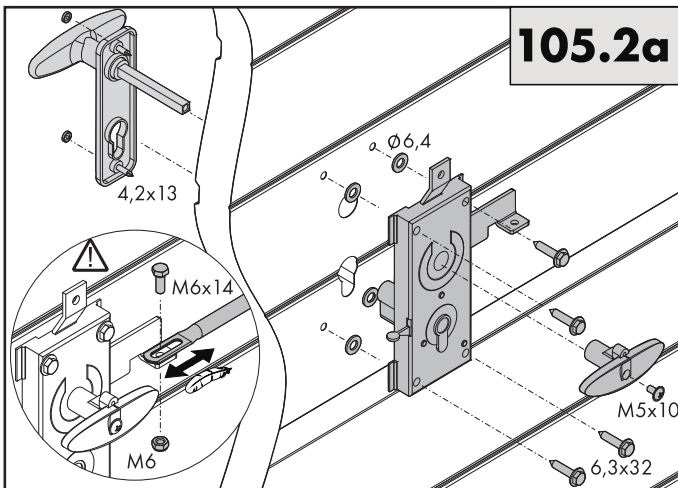
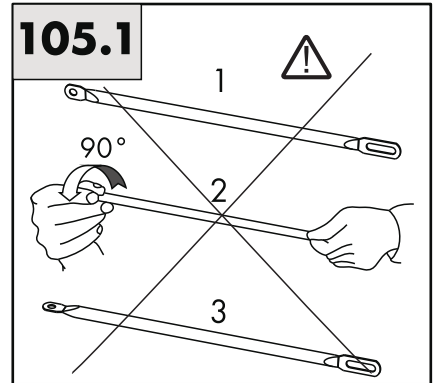
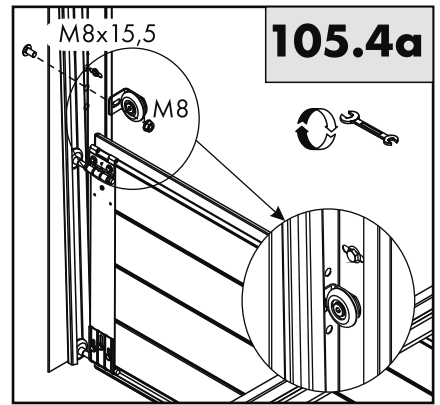
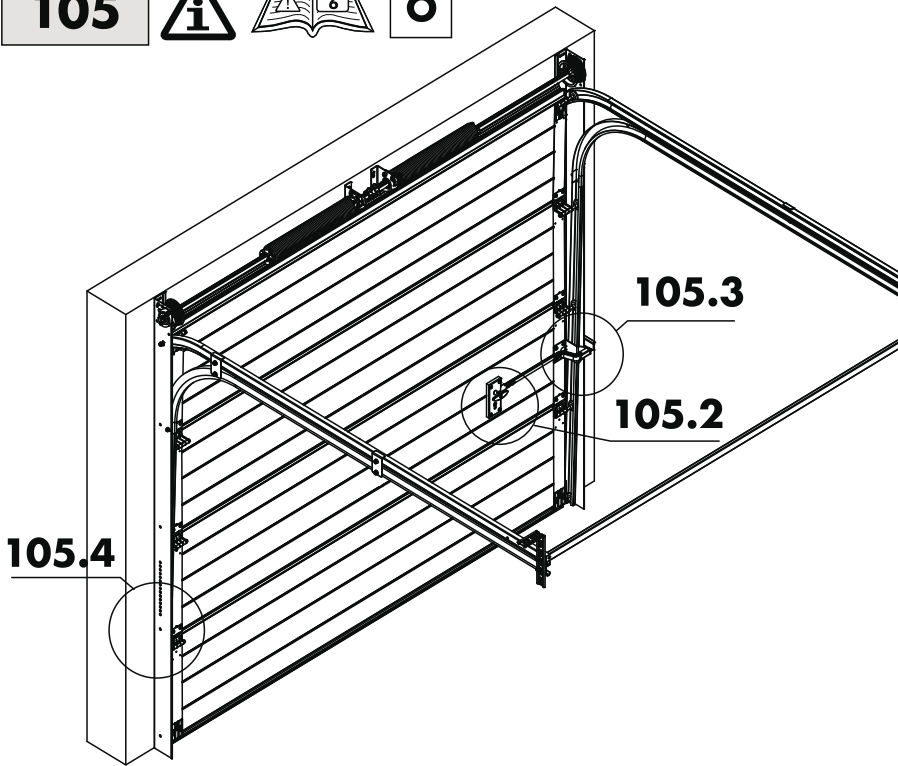
104.4



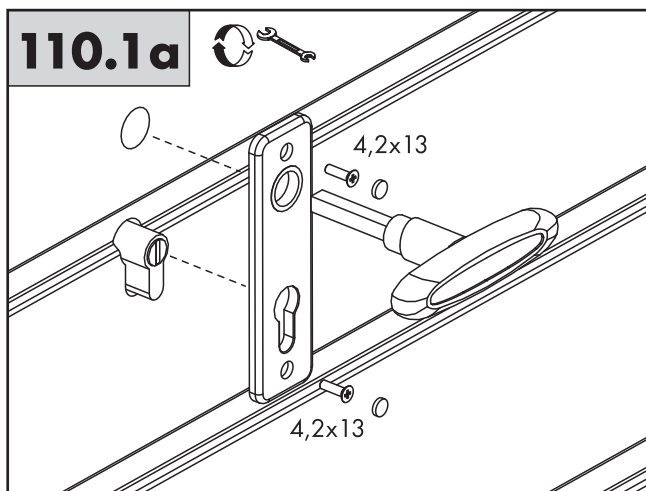
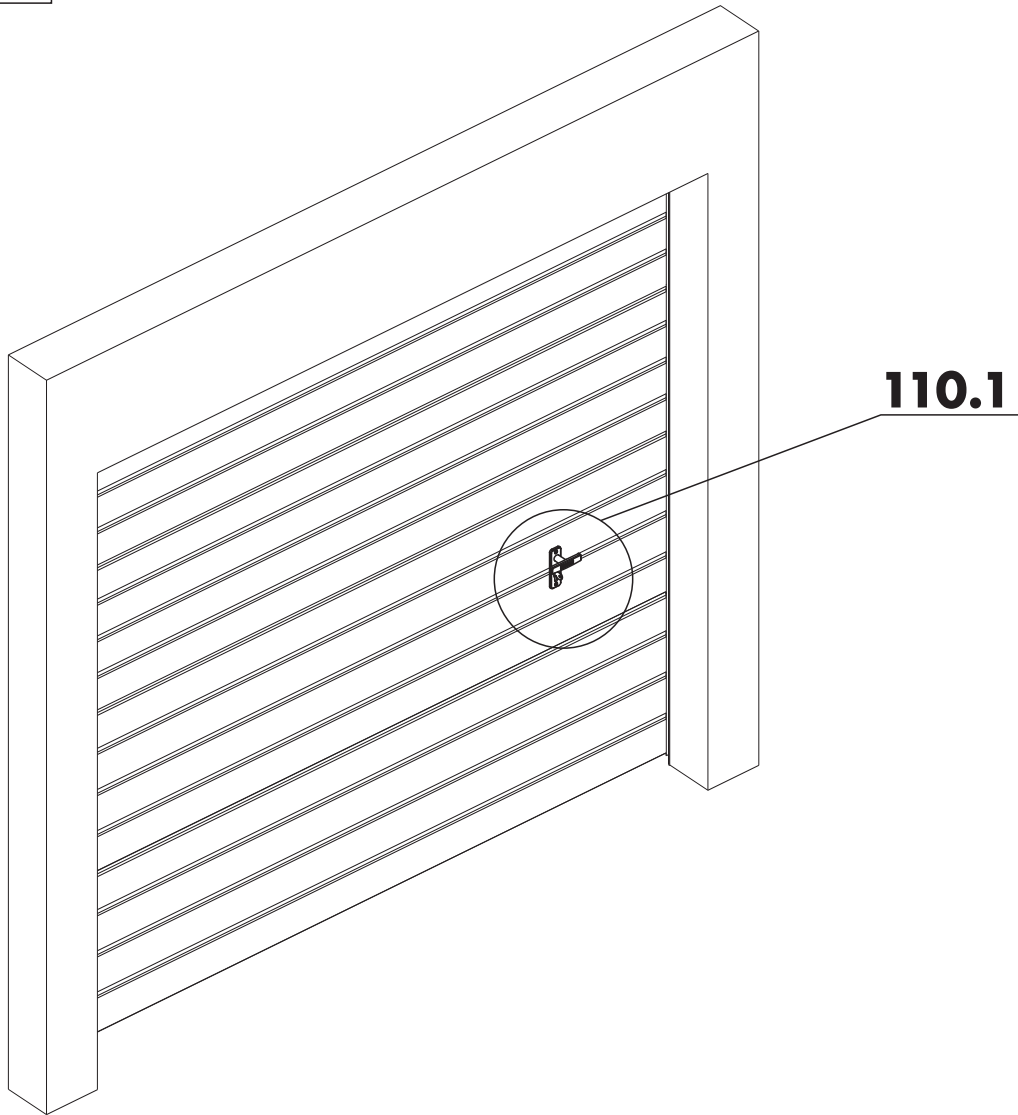
104.5



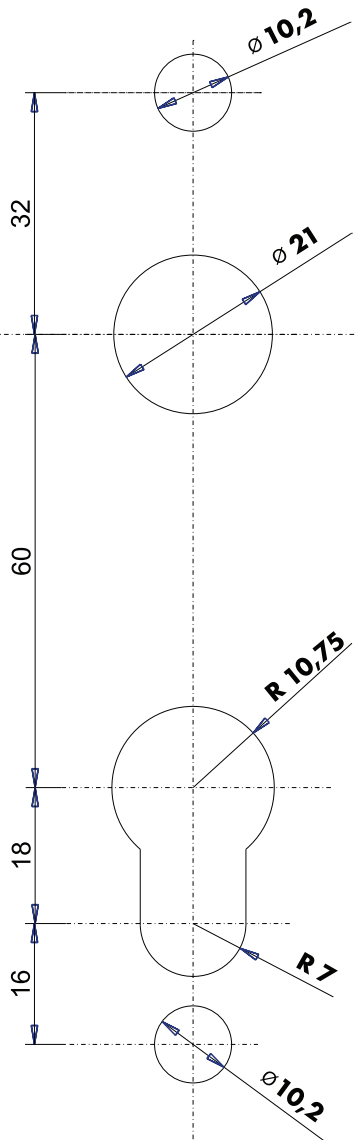
105   



110



KL-2



PVC-1

