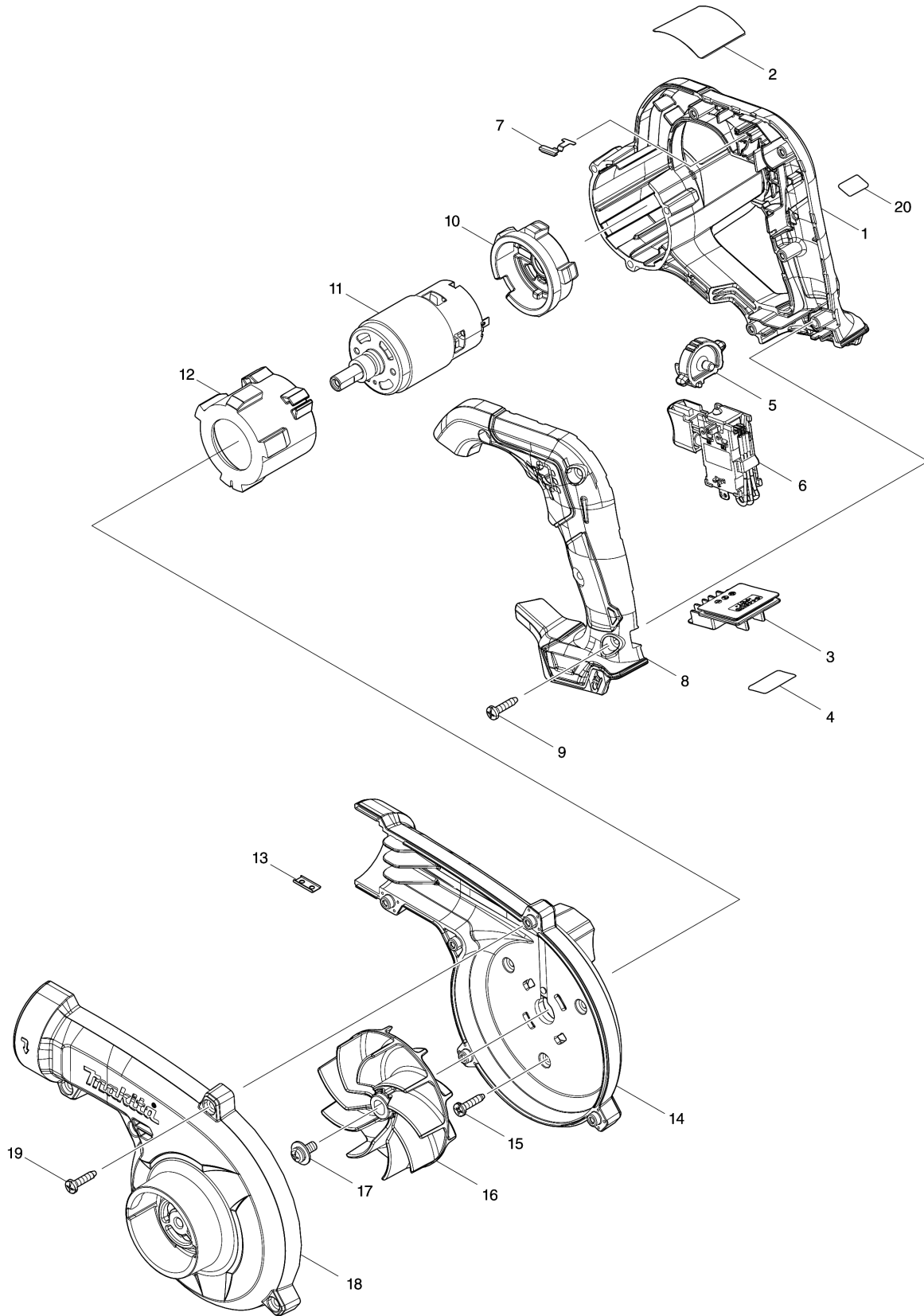


Model No.UB101D CORDLESS BLOWER



Model No.UB101D CORDLESS BLOWER

Position	Artikel-Nr.	Beschreibung	I/C	Stk.	New/Old	Opt. 1	Opt. 2	Hinweis
001	183R73-7	MOTOR HOUSING SET		1				
D10		INC. 8						
002	857R27-7	UB101D NAME PLATE		1				
003	644813-5	TERMINAL		1				
004	857R34-0	UB101D SERIAL NO. LABEL		1				
005	412573-5	DIAL		1				
006	632R61-6	SWITCH UNIT		1				
C10	688165-4	LINE FILTER		1				
007	232620-4	LEAF SPRING		1				
008	183R73-7	MOTOR HOUSING SET		1				
D10		INC. 1						
009	266326-2	TAPPING SCREW 4X18		5				
010	422589-2	MOTOR RUBBER RING B		1				
011	629A20-7	DC MOTOR		1				
012	422588-4	MOTOR RUBBER RING A		1				
013	345998-7	SET PLATE		1				
014	183R77-9	FAN HOUSING SET		1				
C10	8012T7-9	CAUTION LABEL		1				
D10		INC. 18						
015	266326-2	TAPPING SCREW 4X18		3				
016	240210-9	FAN 85		1				
017	265B25-5	PAN HEAD SCREW M5X12 WITH WG		1				
018	183R77-9	FAN HOUSING SET		1				
C10	8012T7-9	CAUTION LABEL		1				
D10		INC. 14						
019	266326-2	TAPPING SCREW 4X18		5				
020	8022C7-3	SOUND 87DB LABEL		1				
A01	191G09-6	GARDEN NOZZLE ASSEMBLY SET		1				
C10	412574-3	JOINT		1				

Please order the parts with part number.

Print Date 1/9/2020