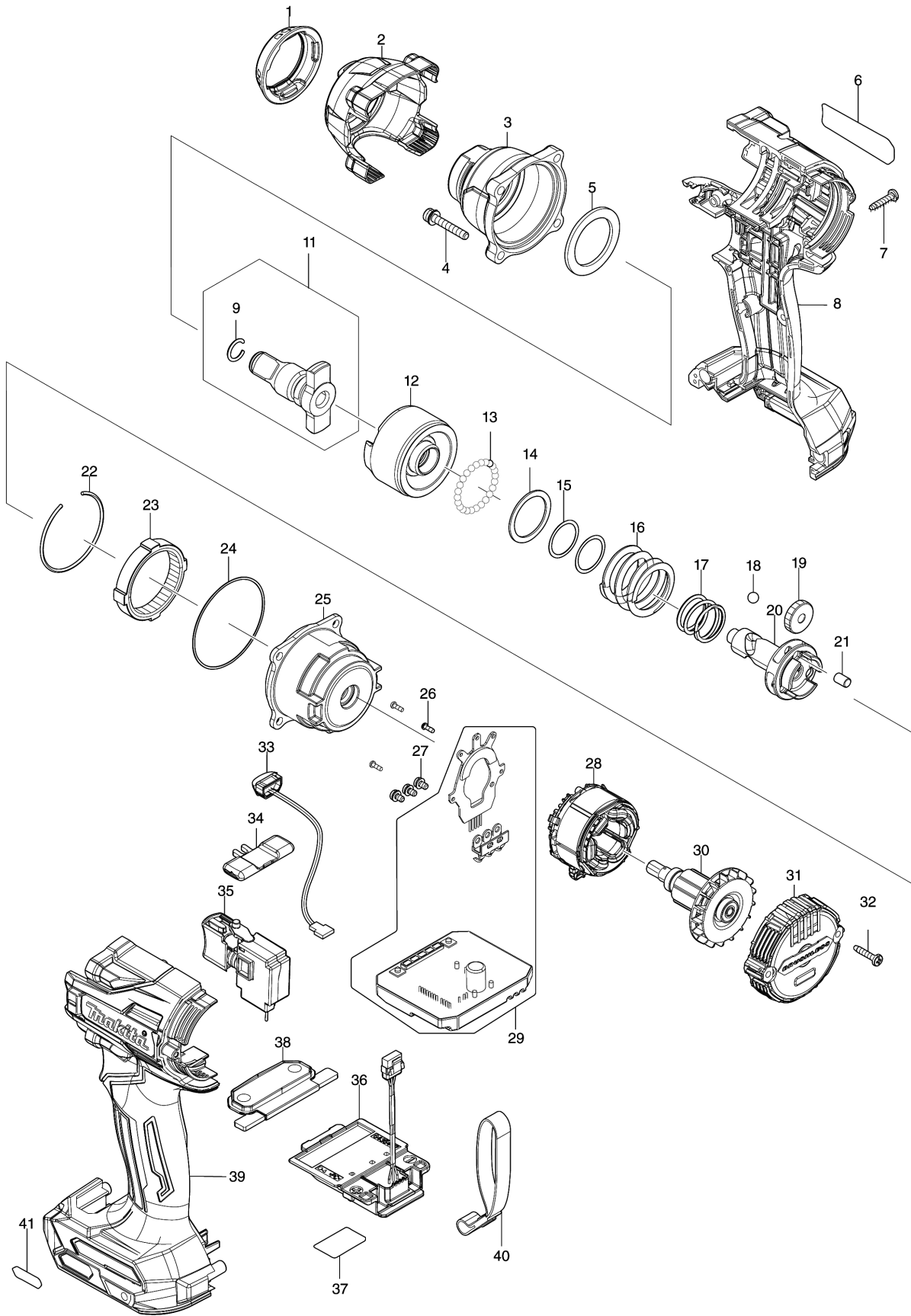


Model No.TW004G CORDLESS IMPACT WRENCH



Model No.TW004G CORDLESS IMPACT WRENCH

Position	Artikel-Nr.	Beschreibung	I/C	Stk.	New/Old	Opt. 1	Opt. 2	Hinweis
001	422584-2	BUMPER		1				
002	412822-0	HAMMER CASE COVER		1				
003	140W13-8	HAMMER CASE COMPLETE		1				
004	265472-8	HEX. SOCKET HEAD BOLT M4X25		4				
005	261154-0	NYLON WASHER 28		1				
006	857P12-8	TW004G NAME PLATE		1				
007	266130-9	TAPPING SCREW BIND PT 3X16		8				
008	183R16-9	HOUSING SET		1				
C10	263005-3	RUBBER PIN 6		2				
C20	263032-0	RUBBER PIN 4		2				
C30	252126-6	HEX. LOCK NUT M4-7		2				
D10		INC. 39						
009	231907-1	RING SPRING 10		1				
011	136272-2	ANVIL E ASS'Y		1				
D10		INC. 9						
012	327648-6	HAMMER		1				
013	216001-0	STEEL BALL 3.5		24				
014	267175-0	FLAT WASHER 24		1				
015	253343-1	THIN WASHER 18		2				
016	232615-7	COMPRESSION SPRING 25		1				
017	232637-7	COMPRESSION SPRING 18		1				
018	216011-7	STEEL BALL 5.6		2				
019	227338-0	SPUR GEAR 22		3				
020	327573-1	SPINDLE		1				
021	268311-1	PIN 5		3				
022	233910-8	RING SPRING 43		1				
023	227337-2	INTERNAL GEAR 51		1				
024	213785-1	O-RING 49		1				
025	140W14-6	INTERNAL GEAR CASE COMPLETE		1				
026	266490-9	TAPPING SCREW PT 2X6		3				
027	652069-6	FLAT HEAD SCREW M3X6		3				
028	629A13-4	STATOR		1				
029	620D69-8	CONTROLLER		1				
030	619626-3	ROTOR		1				
031	412821-2	REAR COVER		1				
032	266130-9	TAPPING SCREW BIND PT 3X16		2				
033	620521-2	LED CIRCUIT		1				
034	455053-8	F/R CHANGE LEVER		1				
035	651442-7	SWITCH C3JR-1A-1		1				
036	632P49-4	TERMINAL UNIT		1				

Model No.TW004G CORDLESS IMPACT WRENCH

Position	Artikel-Nr.	Beschreibung	I/C	Stk.	New/Old	Opt. 1	Opt. 2	Hinweis
037	857P18-6	TW004G SERIAL NO. LABEL		1				
038	140W19-6	SWITCH PLATE COMPLETE		1				
C10	8020J3-8	SWITCH LABEL		1				
039	183R16-9	HOUSING SET		1				
C10	263005-3	RUBBER PIN 6		2				
C20	263032-0	RUBBER PIN 4		2				
C30	252126-6	HEX. LOCK NUT M4-7		2				
D10		INC. 8						
041	8007R2-2	XGT LOGO LABEL		1				
A01	266622-8	+ TRUSS HEAD SCREW M4X12		1				
A02	346317-0	HOOK		1				
A03B	412393-7	BATTERY COVER		1				
A04B	191B26-6	BATTERY BL4040 SET		2				
A05B	***DC40RA	DC40RA FAST CHARGER		1				
D10		COMPO-PARTS						
A06B	821550-0	CONNECTOR PLASTIC CASE (TYPE2)		1				
C10	453974-8	LATCH		4				
A07B	8021P0-2	TW004GM202 MODEL NO. LABELBEL		1				
A09B	835R29-3	INNER TRAY		1				

Please order the parts with part number.

Print Date 2/7/2020