



Original Instruction Manual
Instructions d'emploi d'origine
Originalbetriebsanleitung
Manuale di istruzioni originale
Originele gebruiksaanwijzing
Instrucciones de manejo originales
Instruções de serviço original
Original brugsanvisning
Πρωτότυπο εγχειρίδιο οδηγιών
Original Kullanım Kılavuzu

Important:

Read this instruction manual carefully before putting the brush cutter/string trimmer into operation and strictly observe the safety regulations!
Preserve instruction manual carefully!

Important :

Veillez lire attentivement ce mode d'emploi avant d'utiliser la débroussailluse thermique, et observez strictement les consignes de sécurité !
Veillez à conserver ce manuel d'instructions !

Wichtig:

Lesen Sie vor Verwendung der Motorsense/des Motor Rasentrimmers diese Bedienungsanleitung aufmerksam durch und halten Sie die Sicherheitsregeln strikt ein!
Bewahren Sie diese Betriebsanleitung sorgfältig auf!

Importante:

Leggere attentamente il presente manuale di istruzioni prima di mettere in funzione il decespugliatore/tagliabordi e rispettare rigorosamente le normative sulla sicurezza.

Conservare con cura il manuale di istruzioni.

Belangrijk:

Lees deze gebruiksaanwijzing aandachtig door voordat u de bosmaaier/graskantmaaier in gebruik neemt en houdt u te allen tijde aan de veiligheidsinstructies!

Bewaar deze gebruiksaanwijzing zorgvuldig!

Importante:

Lea atentamente este manual de instrucciones antes de utilizar la desbrozadora y cumpla estrictamente la normativa de seguridad.
Conserve el manual de instrucciones con cuidado.

Importante:

Leia cuidadosamente este manual de instruções antes de utilizar a roçadeira a gasolina e cumpra todas as normas de segurança!
Guarde este manual de instruções num local seguro!

Vigtigt:

Læs denne brugsanvisning omhyggeligt igennem inden du anvender den buskrydderen/trådtrimmeren og overhold sikkerhedsregulativerne til mindste detalje!

Gem denne brugsanvisning omhyggeligt!

Σημαντικό:

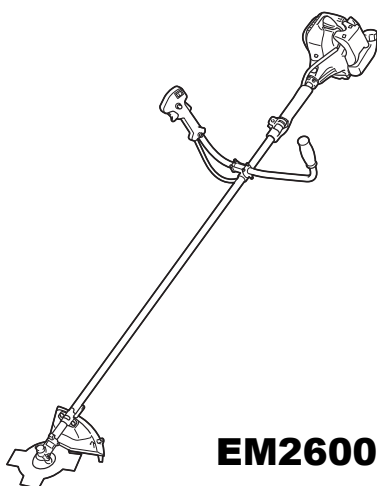
Διαβάστε αυτό το εγχειρίδιο οδηγιών προσεκτικά πριν θέσετε σε λειτουργία το βενζινοκίνητο θαμνοκοπτικό/χλοοκοπτικό και τηρήστε με ακρίβεια τους κανονισμούς ασφαλείας!

Διατηρήστε με προσοχή το εγχειρίδιο οδηγιών!

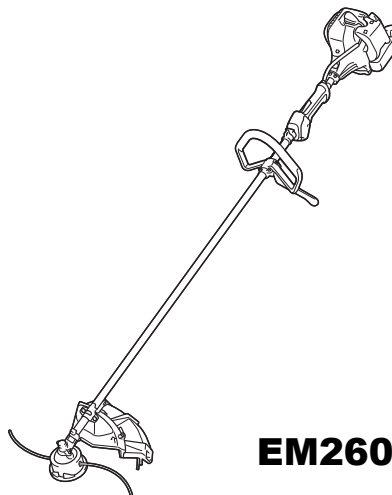
Önemli:

Yan tırpanı/misinalı yan tırpanı kullanmaya başlamadan önce bu kullanım kılavuzunu dikkatlice okuyun ve güvenlik talimatlarını harfiyen takip edin!

Kullanım kılavuzunu dikkatlice saklayın!



EM2600U



EM2600L

Thank you for purchasing this MAKITA brush cutter/string trimmer. MAKITA brush cutters/string trimmers are developed as a product of our many years of knowledge, experience, and a detailed development programme. Please read this booklet thoroughly to ensure you gain the best possible performance and outstanding results that your MAKITA brush cutter/string trimmer can provide.



Table of Contents	Page
Symbols	2
Safety instructions.....	3
Technical data.....	7
Names of parts.....	8
Mounting the handle	9
Mounting the protector	10
Mounting the cutter blade/nylon cutting head	11
Fuel/Refuelling	12
Correct handling.....	13
Important operating points/stopping the cutter/ trimmer	13
Resharpener the cutting tool	15
Servicing instructions	17
Storage	19

Symbols

You need to note the following symbols when reading the instructions manual.

	Read instruction Manual		Wear eye and ear protection (for string trimmer only)
	Take Particular care and Attention		Wear protective helmet, eye and ear protection (for brush cutter only)
	Forbidden		Do not use metal blades (for string trimmer only)
	Keep your distance		Maximum permissible tool speed
	Flying object hazard		Hot surfaces - Burns to fingers or hands
	No Smoking		Fuel and oil mixture
	No open flames		Engine-Manual start
	Protective gloves must be worn		Emergency stop
	Kickback		First Aid
	Keep the area of operation clear of all persons and animals		ON/START
	Wear sturdy boots with nonslip soles. Steel- toed safety boots are recommended.		OFF/STOP
			START

Safety instructions

General Instructions

- To ensure correct operation, make sure that you read and fully understand this instruction manual to familiarise yourself with how to use the brush cutter/string trimmer. Using this equipment without understanding how to operate it correctly may result in serious injury to yourself or others.
- Only lend the brush cutter/string trimmer to people who have proved experienced with brush cutter/string trimmers. Always lend them this instruction manual at the same time.
- If this is your first time using an engine powered cutter, consult your dealer for basic instructions.
- Children and young persons aged under 18 years must not be allowed to operate the brush cutter/string trimmer. Persons over the age of 16 years may use the device for training purposes, only whilst under supervision of a qualified trainer.
- Use brush cutter/string trimmers with the utmost care and attention.
- Only operate the brush cutter/string trimmer if you are in good physical condition. Perform all work calmly and carefully. Users must accept responsibility for those around them.
- Never use the brush cutter/string trimmer after consumption of alcohol or medicines, or if you are feeling tired or ill.

WARNING: This machine produces an electromagnetic field during operation. This field may under some circumstances interfere with active or passive medical implants. To reduce the risk of serious or fatal injury, we recommend persons with medical implants to consult their physician and the medical implant manufacturer before operating this machine.

Intended use of the equipment

- The brush cutter/string trimmer is only intended for cutting grass, weeds, bush and other such undergrowth, and should not be used for any other purpose such as edging or hedge cutting as this may cause injury.

Personal protective equipment

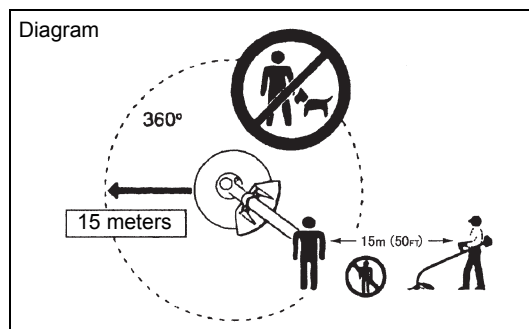
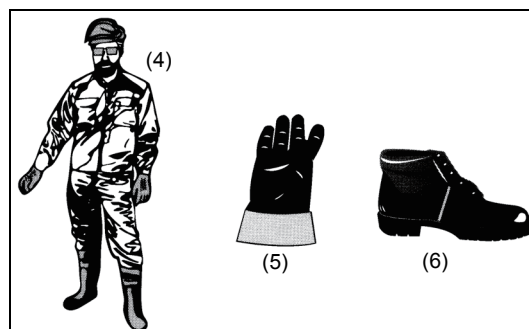
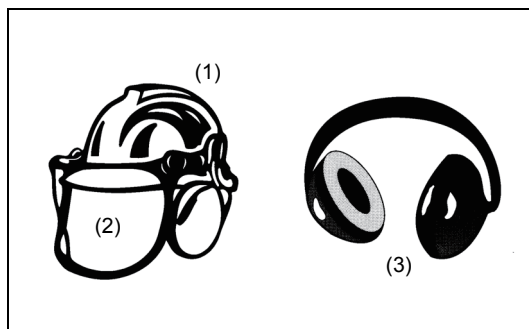
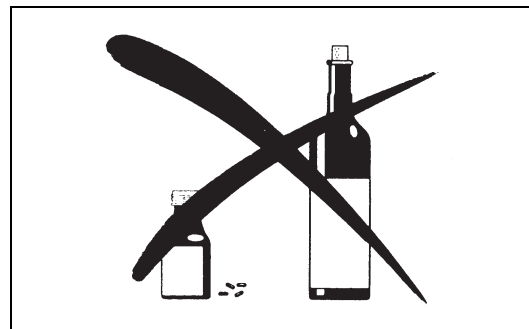
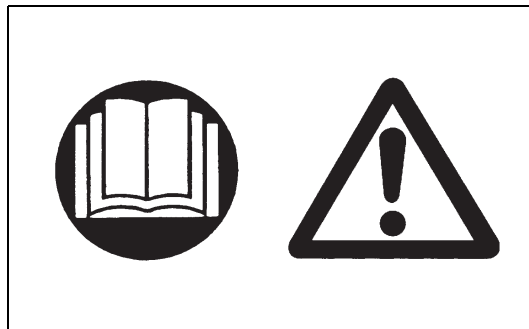
- Always wear clothing that is both functional and appropriate to your work, i.e. tight-fitting, but not so tight as to cause uncomfortable movement. Do not wear either jewelry or clothing which could become entangled with bushes or shrubs.
- In order to avoid head, eye, hand, or foot injuries, as well as to protect your hearing during operation, the following protective equipment and protective clothing must be used while using the brush cutter/string trimmer.
- Always wear a helmet where there is a risk of falling objects. The protective helmet (1) is to be checked at regular intervals for damage and is to be replaced at the latest after 5 years. Use only approved protective helmets.
- The visor (2) of the helmet (or alternatively goggles) protects the face from flying debris and stones. During operation of the brush cutter/string trimmer, always wear goggles or a visor to prevent eye injuries.
- Wear adequate noise protection equipment to avoid hearing impairment (ear muffs (3), ear plugs etc.).
- Work overalls (4) protect against flying stones and debris. We strongly recommend that you wear work overalls.
- Special gloves (5) made of thick leather are part of the prescribed equipment and must always be worn during operation of the brush cutter/string trimmer.
- When using the brush cutter/string trimmer, always wear sturdy shoes (6) with a non-slip sole. Such shoes protect against injuries and ensure good footing.

Residual risks

- Even when the machine is used as prescribed it is not possible to eliminate all residual risk factors. The following hazards may arise in connection with the machine's construction and design:
 1. Damage to lungs if an effective dust mask is not worn.
 2. Damage to hearing if effective hearing protection is not worn.
 3. Damages to health resulting from vibration emission if the machine is being used over longer period of time or not adequately managed and properly maintained.

Starting the brush cutter

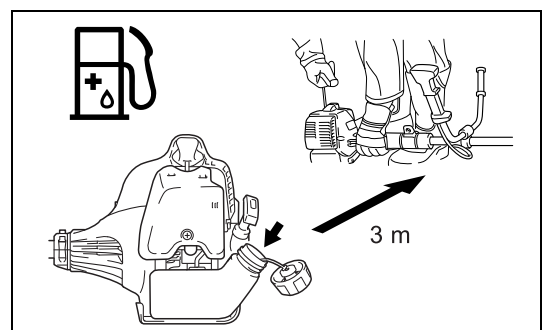
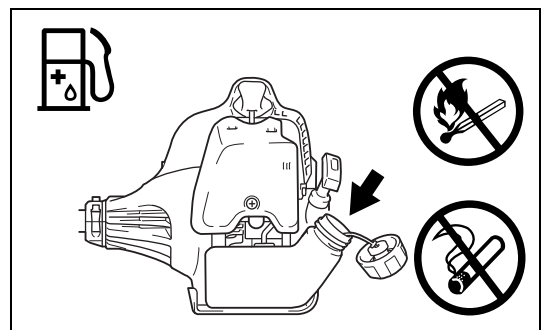
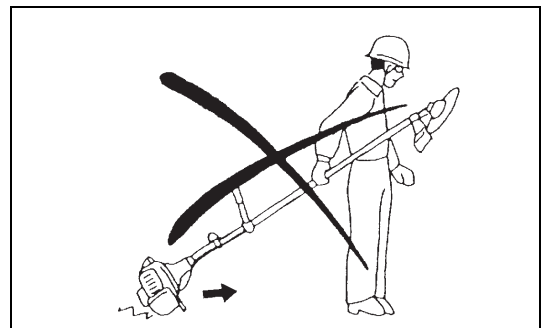
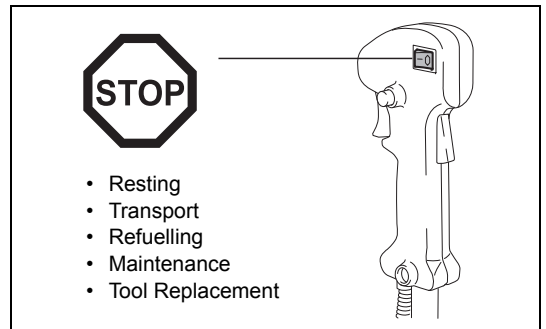
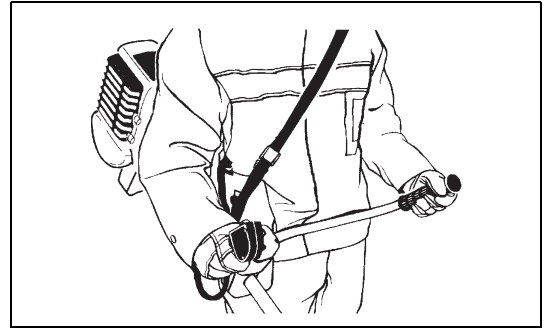
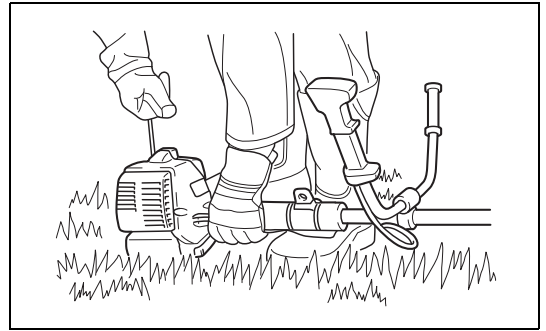
- Make sure that there are no children or other people within a working range of 15 meters (50ft), also pay attention to any animals in the working vicinity.
- Before use, always check that the brush cutter/string trimmer is safe for operation:
 - Check that the cutting tool is secure, that the control lever can be operated easily, and that the control lever lock is functioning correctly.
- Rotation of the cutting tool during idling is prohibited. Check with your dealer if you think the equipment may need adjusting. Check to make sure that the handles are clean and dry, and that the start/stop switch is functioning correctly.



- Start the brush cutter/string trimmer only in accordance with the instructions. Do not use any other methods to start the engine!
- Only use the brush cutter/string trimmer and tools for the specified purposes.
- Only start the brush cutter/string trimmer engine after the equipment is fully assembled. Do not operate the equipment until all of the appropriate accessories are attached!
- Before starting, make sure that the cutting tool is not in contact with hard objects such as branches, stones etc. as the cutting tool will rotate when starting.
- Switch off the engine immediately if any type of engine problem occurs.
- Should the cutting tool hit stones or other hard objects, immediately switch off the engine and inspect the cutting tool.
- Inspect the cutting tool at short regular intervals for damage (inspect for hairline cracks using the tapping test).
- Only operate the brush cutter/string trimmer after attaching and adjusting the shoulder strap to the correct length. The shoulder strap must be adjusted to the user's size and fastened to prevent fatigue during operation of the equipment. Never hold the cutter with one hand during operation.
- During operation, always hold the brush cutter/string trimmer with both hands. Always ensure you are on safe footing.
- Operate the brush cutter/string trimmer in such a manner as to avoid inhalation of the exhaust gases. Never run the engine in an enclosed space such as inside a room (risk of gas poisoning). Carbon monoxide is an odorless gas.
- Always switch off the engine when resting, or if you intend to leave the brush cutter/string trimmer unattended, and place it in a safe location to prevent injury to other people and damage to the equipment.
- Never put the hot brush cutter/string trimmer onto dry grass or onto any other combustible materials.
- The cutting tool must always be equipped with the appropriate guard. Never run the cutter without this guard!
- All protective installations and guards supplied with the equipment must be used during operation.
- Never operate the engine if the exhaust muffler is faulty.
- Shut off the engine during transport.
- When transporting the equipment, always attach the cover to the cutting blade.
- Ensure the brush cutter/string trimmer is positioned safely during transport to avoid fuel leakage.
- When transporting the brush cutter/string trimmer, ensure the fuel tank is completely empty.
- When unloading the brush cutter/string trimmer from a truck or other such vehicle, never drop the engine to the ground, as doing so may severely damage the fuel tank.
- Unless in an emergency, never drop or cast the brush cutter/string trimmer to the ground as doing so may severely damage the brush cutter/string trimmer.
- Always lift the entire equipment from the ground when moving it. Dragging the equipment on its fuel tank is extremely dangerous and may cause fuel to leak, which may cause fire.
- If the equipment gets heavy impact or fall, check the condition before continuing work. Check the fuel system for fuel leakage and the controls and safety devices for malfunction. If there is any damage or doubt, ask our authorized service center for the inspection and repair.

Refuelling

- Shut off the engine during refuelling, keep away from open flames and do not smoke during refuelling.
- Ensure mineral oil products do not come into contact with skin. Do not inhale the fuel vapor. Always wear protective gloves during refuelling. Change and clean protective clothing at regular intervals.
- To prevent soil contamination (environmental protection), make sure you do not spill fuel or oil on the ground. If you do spill fuel, clean the brush cutter/string trimmer immediately.
- Make sure fuel does not come into contact with your clothing. If fuel does come into contact with your clothing, change your clothing immediately to prevent fire.
- Inspect the fuel cap at regular intervals to make sure that it can be securely fastened and does not leak.
- Carefully tighten the fuel tank cap. Once refuelling is complete, move to a location at least 3 meters away from where you refuelled before starting the engine.
- Never refuel in an enclosed space such as inside a room. Doing so may cause an explosion due to the accumulation of fuel vapor at ground level.



- Only transport and store fuel in approved containers. Make sure stored fuel is not accessible to children.

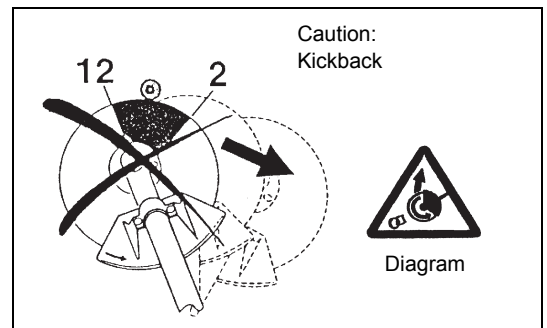
Method of operation

- Only use the brush cutter/string trimmer in good light and visibility. During the winter season, beware of slippery or wet areas such as icy or snow-covered areas (risk of slipping). Always ensure you are on safe footing.
- Never cut above waist height.
- Never stand on a ladder while using the brush cutter/string trimmer.
- Never climb up into trees to use with the brush cutter/string trimmer.
- Never work on unstable surfaces.
- Remove sand, stones, nails etc. found within the working range. Foreign objects may damage the cutting tool and can cause dangerous kickbacks.
- Before starting to cut, make sure the cutting tool has reached full working speed.
- If grass or branches get caught between the cutting tool and guard, always stop the engine before cleaning. Otherwise unintentional blade rotation may cause serious injury.
- Take a rest to prevent loss of control caused by fatigue. We recommend to take a 10 to 20-minute rest every hour.



Kickback (blade thrust)

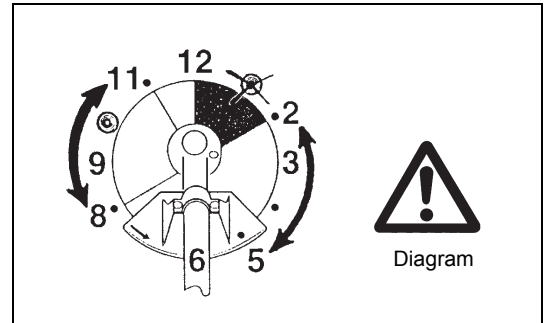
- When operating the brush cutter, uncontrolled kickbacks may occur.
- Kickbacks occur frequently when attempting to cut with the 12 to 2 o'clock section of the blade.
- Never apply the 12 to 2 o'clock section of the brush cutter blade.
- Never apply this section of the brush cutter blade to solid objects, such as bushes or trees etc. that have a diameter greater than 3 cm. Doing so will cause the brush cutter to deflect with a large amount of force, which is extremely dangerous and may cause injury.



Kickback prevention

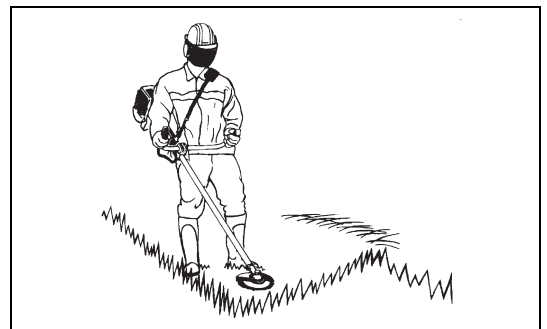
To avoid kickbacks, remember the following:

- Using the 12 to 2 o'clock section of the blade is extremely hazardous, especially when using metal cutting tools.
- Cutting operations using the 11 to 12 o'clock section and 2 to 5 o'clock section of the blade must only be performed by trained and experienced operators, and then only at their own risk.
The optimum cutting section for easy cutting with almost no kickback is between the 8 to 11 o'clock section of the blade.



Cutting Tools

- Use an applicable cutting tool for the job in hand.
Nylon cutting heads (string trimmer heads) are suitable for trimming lawn grass.
Metal blades are suitable for cutting weeds, high grasses, bushes, shrubs, underwood, thicket, and the like.
Never use other blades including metal multi-piece pivoting chains and flail blades. Otherwise serious injury may result.
- When using metal blades, avoid "kickback" and always prepare for an accidental kickback. See the section "Kickback" and "Kickback prevention".



Maintenance instructions

- Have your equipment serviced by our authorized service center, always using only genuine replacement parts. Incorrect repair and poor maintenance can shorten the life of the equipment and increase the risk of accidents.
- Always check the condition of the cutter, in particular the cutter protective devices and shoulder strap, before commencing work. Particular attention should also be paid to the cutting blades, which must be correctly sharpened.
- Turn off the engine and remove the spark plug connector when replacing or sharpening cutting tools, and also when cleaning the cutter or cutting tool.

Never straighten or weld damaged cutting tools.

- Operate the brush cutter/string trimmer with as little noise and contamination as possible. In particular, check that the carburetor is set correctly.
- Clean the brush cutter/string trimmer at regular intervals and check that all screws and nuts are well tightened.
- Never service or store the brush cutter/string trimmer in the vicinity of naked flames.
- Always store the brush cutter/string trimmer in locked rooms and with an emptied fuel tank.
- When cleaning, servicing and storing the equipment, always attach the cover to the cutting blade.

Observe the relevant accident prevention instructions issued by the relevant trade associations and insurance companies.

Do not perform any modifications on the brush cutter/string trimmer, as doing so will endanger your safety.

The performance of maintenance or repair work by the user is limited to those activities described in the instruction manual. All other work is to be done by an Authorized Service Agent. Use only genuine spare parts and accessories released and supplied by MAKITA.

Using non-approved accessories and tools will cause an increased risk of accidents.

MAKITA will not accept any liability for accidents or damage caused by the use of non-approved cutting tools, fixing devices of cutting tools, or accessories.

First Aid

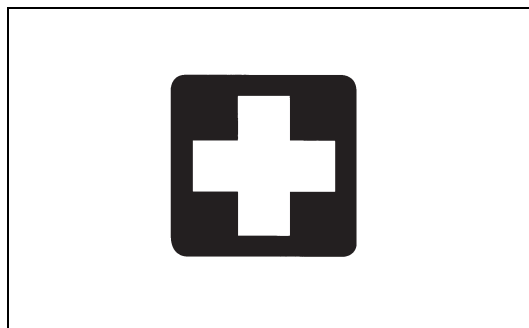
In case of accident, make sure that a first-aid box is available in the vicinity of the cutting operations. Immediately replace any item taken from the first aid box.

When asking for help, please give the following information:

- Place of the accident
- What happened
- Number of injured persons
- Kind of injuries
- Your name

Vibration

- People with poor circulation who are exposed to excessive vibration may experience injury to blood vessels or the nervous system. Vibration may cause the following symptoms to occur in the fingers, hands or wrists: "Falling asleep" (numbness), tingling, pain, stabbing sensation, alteration of skin color or of the skin. If any of these symptoms occur, see a physician!
- To reduce the risk of "white finger disease", keep your hands warm during operation and well maintain the equipment and accessories.



For European countries only

EC Declaration of Conformity

We Makita Corporation as the responsible manufacturer declare that the following Makita machine(s):

Designation of Machine: Brush Cutter/String Trimmer

Model No./ Type: EM2600U, EM2600L

Specifications: see "TECHNICAL DATA" table

are of series production and

Conforms to the following European Directives:

2000/14/EC, 2006/42/EC, 2004/108/EC

And are manufactured in accordance with the following standards or standardized documents:

EN ISO 11806-1, EN ISO 14982

The technical documentation is kept by:

Makita International Europe Ltd., Technical Department,

Michigan Drive, Tongwell, Milton Keynes, Bucks MK15 8JD, England

The conformity assessment procedure required by Directive 2000/14/EC was in Accordance with annex V.

Measured Sound Power Level (as a grass trimmer): 109.77 dB

Measured Sound Power Level (as a brush cutter): 107.29 dB

Guaranteed Sound Power Level: 112 dB

15. 4. 2013

A handwritten signature in black ink, appearing to read 'Tomoyasu Kato'.

Tomoyasu Kato
Director

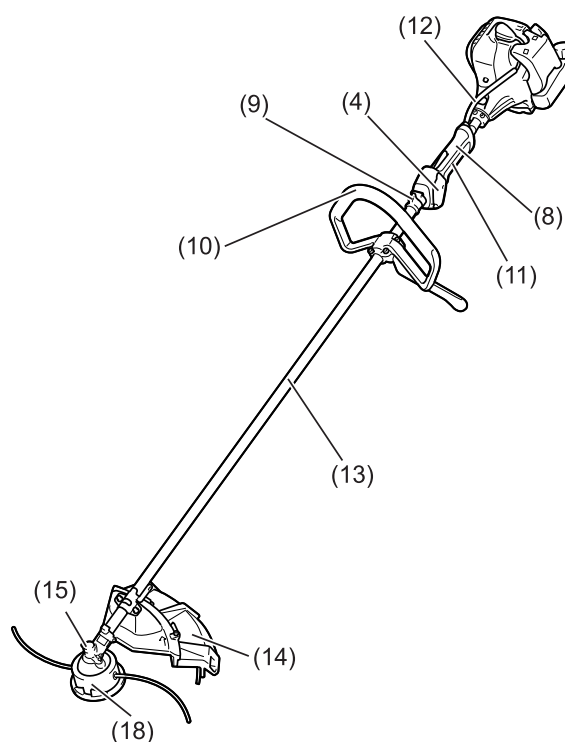
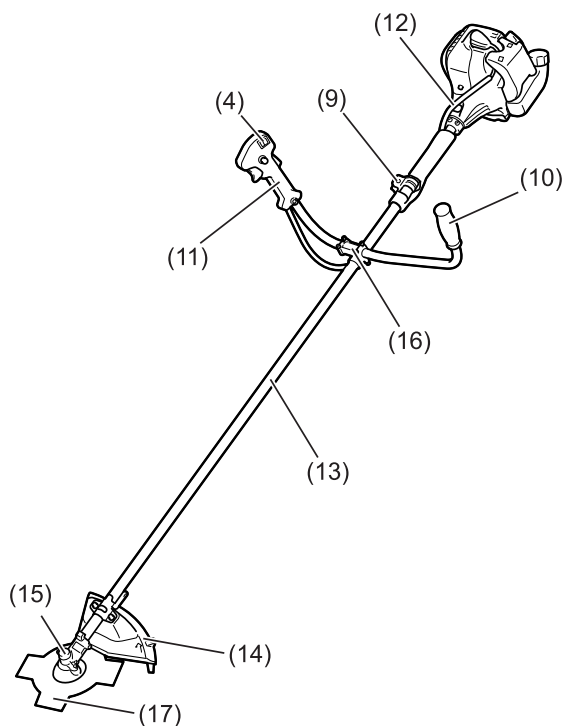
Makita Corporation
3-11-8, Sumiyoshi-cho,
Anjo, Aichi, JAPAN

Technical data

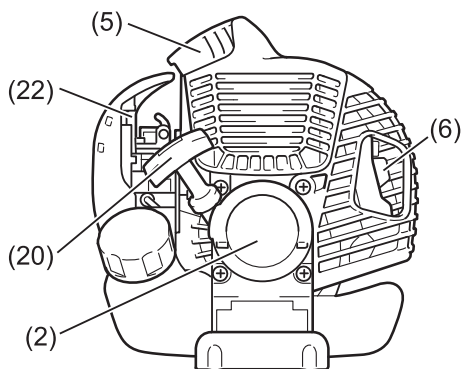
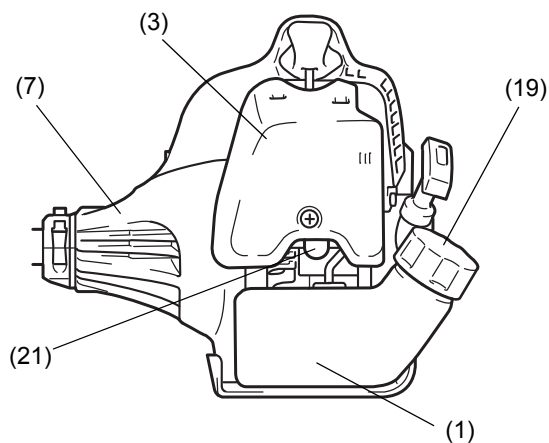
Model		EM2600U	EM2600L
		U handle	Loop handle
Dimensions: length x width x height (without cutting blade)		1,770 x 610 x 410 mm	1,770 x 330 x 185 mm
Net Weight		5 kg	5 kg
Engine displacement		25.7 cm ³	
Maximum engine performance		0.83 kW	
Maximum rotational frequency of the spindle		8,800 min ⁻¹	
Cutting attachment	Single piece metal blade	φ230 mm	
	String trimmer head	φ430 mm	
Idling speed		3,000/min	
Clutch engagement speed		4,100/min	
Gear ratio		14/19	
Fuel		Mixed gas Gasoline: Two-stroke Engine Oil = 50:1	
Volume (fuel tank)		0.6 L	
Carburetor		WALBRO WYC	
Spark plug		NGK BPMR7A	
Electrode gap		0.6 - 0.7 mm	
Vibration: (For brush cutter)	Left handle (Front grip)	14.680 m/s ² K = 1.5 m/s ²	5.152 m/s ² K = 1.5 m/s ²
	Right handle (Rear grip)	9.037 m/s ² K = 1.5 m/s ²	9.677 m/s ² K = 1.5 m/s ²
Vibration: (For grass trimmer)	Left handle (Front grip)	7.961 m/s ² K = 1.5 m/s ²	8.83 m/s ² K = 1.5 m/s ²
	Right handle (Front grip)	7.019 m/s ² K = 1.5 m/s ²	14.381 m/s ² K = 1.5 m/s ²
Noise (tested according to 2000/14/EC & 2005/88/EC):			
Sound pressure level at the operator's position (Grass trimmer):		98.52 dB (A) K = 2.5 dB (A)	
Sound pressure level at the operator's position (Brush cutter):		96.15 dB (A) K = 2.5 dB (A)	
Measured sound power level (Grass trimmer):		109.77 dB (A) K = 2.5 dB (A)	
Measured sound power level (Brush cutter):		107.29 dB (A) K = 2.5 dB (A)	
Noise (tested according to 2000/14/EC & 2005/88/EC): guaranteed sound power values		112 dB (A)	

Names of parts

EM2600U U Handle Type



EM2600L Loop Handle Type



Names of parts	
1	Fuel Tank
2	Rewind Starter
3	Air Cleaner
4	I-Stop Switch (on/off)/Start-Stop Switch
5	Spark Plug
6	Exhaust Muffler
7	Clutch Case
8	Rear Grip
9	Hanger
10	Handle
11	Control Lever
12	Control Cable
13	Shaft
14	Protector (Cutting tool guard)
15	Gear Case
16	Handle Holder
17	Cutter Blade
18	Nylon Cutting Head
19	Fuel Filler Cap
20	Starter Knob
21	Primer Pump
22	Choke Lever

Mounting the handle

CAUTION: Before doing any work on the brush cutter, always stop the engine and disconnect the spark plug connector from the spark plug.

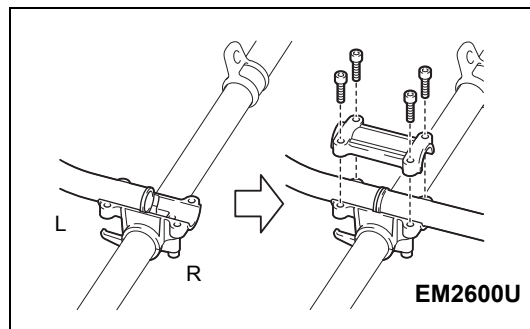
Always wear protective gloves!

CAUTION: Ensure you have reassembled the brush cutter completely before starting it.

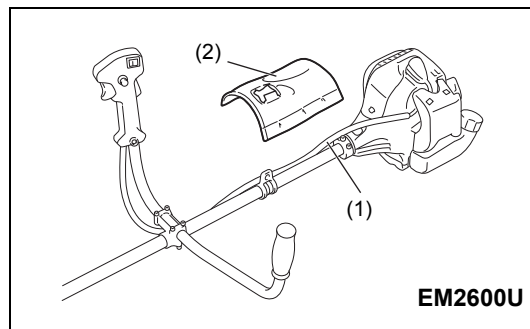


For U handle models

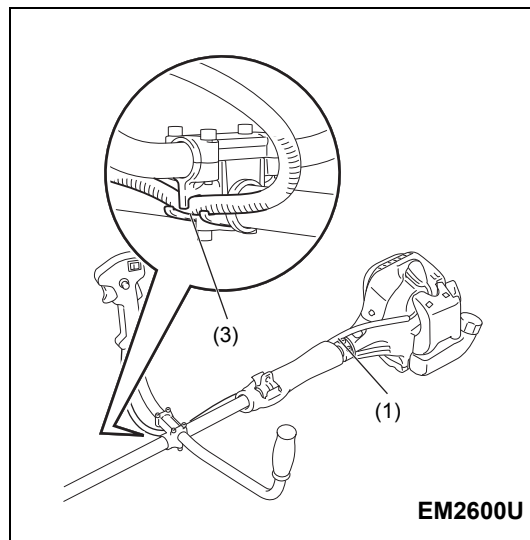
- Place the two handles onto the handle holder. The control lever must come right side when you look towards the cutting tool.
- Fit the handle ends to the groove on the handle holder and fit the clamp on them. Loosely tighten them with four bolts for adjustment.
- Adjust handles' angle, and then tighten all bolts evenly by a hex wrench.



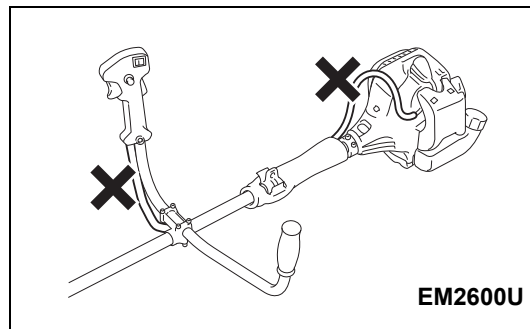
- Place the throttle cable (1) to the control lever side of the shaft. And then wrap them with the waist pad (2).



- Insert the throttle cable (1) into the clamping slot (3) of the handle holder.
- Make sure the throttle cable is positioned as shown.
- Operate the control lever and make sure it moves smoothly.

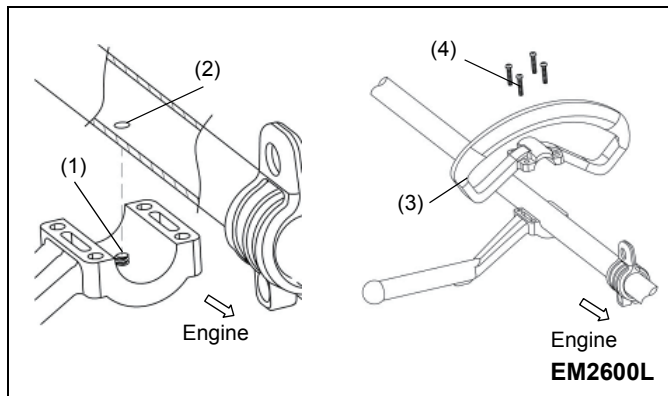


CAUTION: Do not position the throttle cable as shown. Otherwise curved cable may cause high idle speed, and uncontrollable blade may cause personal injury.



For loop handle model

- Put the thread (1) on handle holder into the location hole (2) on tube.
- Fix the assistant handle (3) onto the barrier.
- Tighten the 4 bolts (4) M5 x 30.



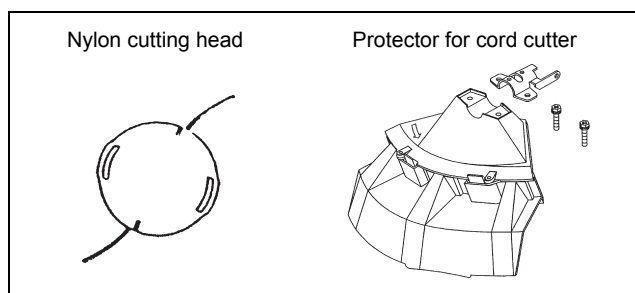
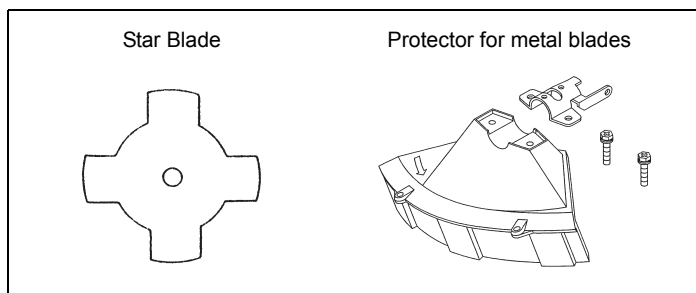
Mounting the protector

To meet the applicable safety standards, you must only use the tool/protector combinations indicated in the table.



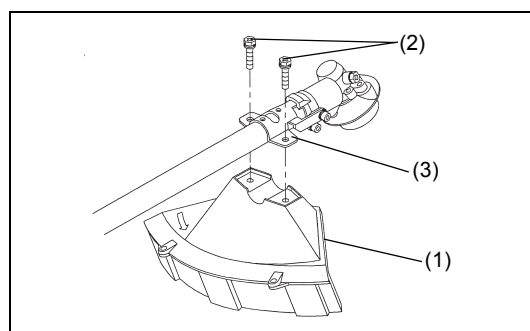
Always use genuine MAKITA cutter blades/nylon cutting head.

- The cutter blade must be well polished, and free of cracks or breakages. If the cutter blade hits against a stone during operation, stop the engine and check the blade immediately.
- Polish or replace the cutter blade every three hours of operation.
- If the nylon cutting head hits against a stone during operation, stop the engine and check the nylon cutting head immediately.

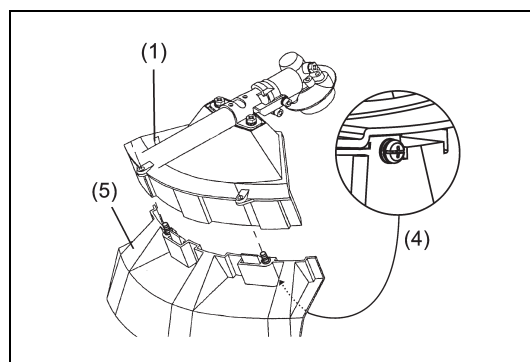


CAUTION: The appropriate protectors must always be installed for your own safety and in order to comply with accident-prevention regulations. Operation of the equipment without the guard installed is prohibited.

- Fix the protector (1) to the clamp (3) with two M6 x 30 bolts (2).



- When using the nylon cutting head, fit the protector (5) into the protector (1), and tighten them with two screws (4).

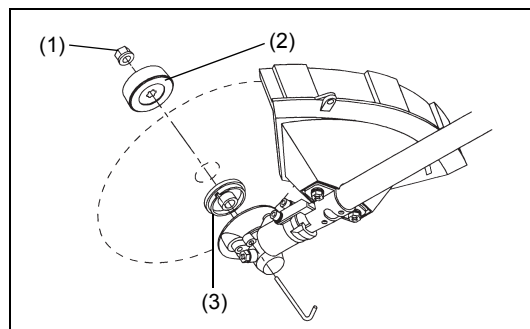


Mounting the cutter blade/nylon cutting head

The cutter blade or nylon cutting head can be replaced easily by first turning the equipment upside down.



- Insert the hex wrench through the hole in the gear case and rotate the receiver washer (3) until it is locked with the hex wrench.
- Loosen the nut/spring washer (1) (left-hand thread) with the socket wrench, and remove the nut/spring washer (1) and clamp washer (2).



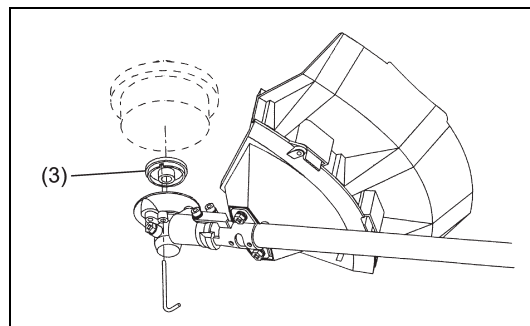
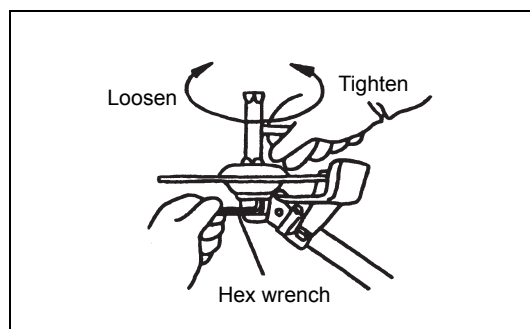
With the hex wrench still in place

- Mount the cutter blade onto the shaft so that the guide of the receiver washer (3) fits in the arbor hole in the cutter blade. Install the clamp washer (2) and secure the cutter blade with the nut/spring washer (1). [Tightening torque: 13 - 23 N-m]

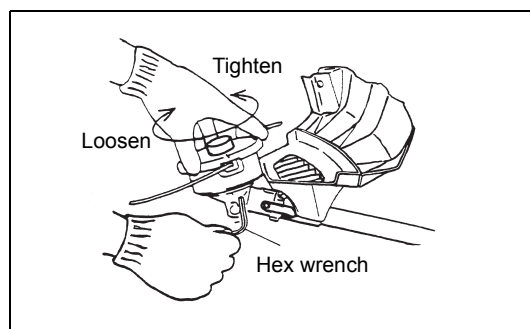
NOTE: Always wear gloves when handling the cutter blade.

NOTE: The cutter blade-fastening nut (with spring washer) is a consumable part. If there appears any wear or deformation on the spring washer, replace the nut.

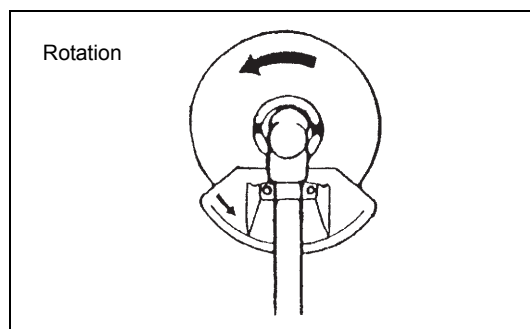
NOTE: The clamp washer (2), and nut/spring washer (1) are not necessary for mounting the nylon cutting head. The nylon head should go on top of the receiver washer (3).



- Screw the nylon cutting head onto the shaft.



- Make sure that the blade rotates counterclockwise.





Handling fuel

Utmost care is required when handling fuel. Fuel may contain substances similar to solvents. Refuel either in a well ventilated room or outdoors. Do not inhale fuel vapors, and avoid any contact of fuel or oil with your skin. Mineral oil products degrease your skin. Prolonged skin contact with these products will cause your skin to become extremely dry, which may result in various kinds of skin disease. In addition, allergic reactions may occur. Eyes can be irritated by contact with oil. If oil comes into your eyes, immediately wash them with clear water. If your eyes are still irritated, see a doctor immediately.



Fuel and oil mixture

The brush cutter engine is a high-efficiency two-stroke engine. It runs on a mixture of fuel and two-stroke engine oil. The engine is designed for unleaded regular fuel with a min. octane value of 91 RON. To obtain optimum engine performance and to protect your health and the environment, use only unleaded fuel!



To lubricate the engine, add two-stroke engine oil (quality grade: JASO FC or ISO EGD) to the fuel. The engine has been designed to use the specified two-stroke engine oil at mixture ratio of 50:1 to protect the environment. Additionally, long service life accompanied by reliable operation and minimum emissions are guaranteed through the use of this mixture ratio. Reliable functioning of the brush cutter cannot be guaranteed unless this mixture ratio of 50:1 (specified 2-stroke engine oil) is strictly observed.

Correct mixture ratio:

Gasoline: Specified two-stroke engine oil = 50 : 1 or
 Gasoline: Other manufacturer's two-stroke engine oil = 25 : 1 recommended

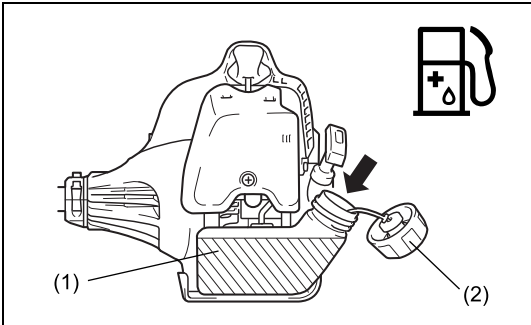
Gasoline	50:1	25:1
	+	
1,000 cm ³ (1 liter)	20 cm ³	40 cm ³
5,000 cm ³ (5 liter)	100 cm ³	200 cm ³
10,000 cm ³ (10 liter)	200 cm ³	400 cm ³

NOTE: To prepare the fuel-oil mixture, first mix the entire oil quantity with half of the fuel required, then add the remaining fuel. Thoroughly shake the mixture before pouring it into the brush cutter tank. To ensure safe operation, do not add more engine oil than the specified amount. Doing so will only result in a higher production of combustion residues which pollute the environment and clog the exhaust channel in the cylinder as well as the muffler. In addition, the fuel consumption will rise and the performance will decrease.

Refuelling

The engine must be switched off.

- Thoroughly clean the area around the fuel filler cap (2) to prevent dirt from getting into the fuel tank (1).
- Unscrew the fuel filler cap (2) and fill the tank with fuel.
- Tightly screw on the fuel filler cap (2).
- Clean the screw fuel filler cap (2) and tank after refueling.



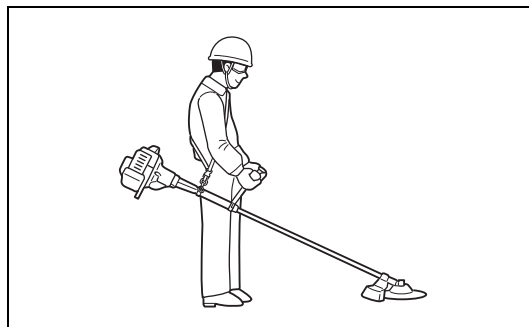
Storage of Fuel

Fuel cannot be stored for an unlimited period of time. Purchase only the quantity required for a 4-week operating period. Only use approved fuel storage containers.

Correct handling

Attachment of shoulder strap

- Adjust the strap length so that the cutter blade is kept parallel with the ground.



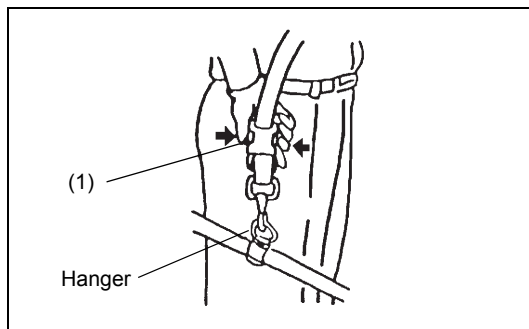
Detachment

- In case of emergency, push the notches (1) at both sides, and detach the equipment.

Be extremely careful to maintain control of the equipment at this time. Do not allow the equipment to be deflected toward you or anyone in your vicinity.

WARNING: Failure to maintain complete control of the machine at all could result in serious injury or DEATH.

Note: In some countries, shoulder strap does not have this detachment function.



Important operating points/stopping the cutter/trimmer

Observe the applicable accident prevention regulations.



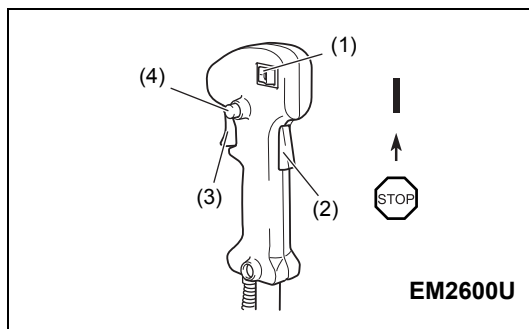
Starting

Move at least 3 m away from the area where you refuelled the equipment. Place the brush cutter on a clean piece of ground taking care that the cutting tool does not come into contact with the ground or any other objects.

WARNING: Pay attention that the cutting tool rotates immediately after the engine starts.

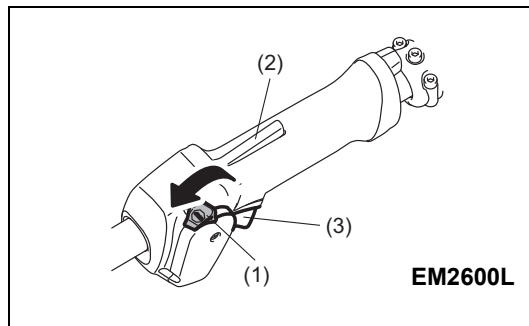
Cold start for U handle models

- Set the I-Stop Switch (on/off) (1) as illustrated.
- Grasp the handle (hand pressure activates the safety lock-off lever (2)).
- Press the throttle lever (3) and hold it down.
- Press the lock button (4) and release the control lever, and then release the lock button (the lock button holds the throttle lever in the start-up position).



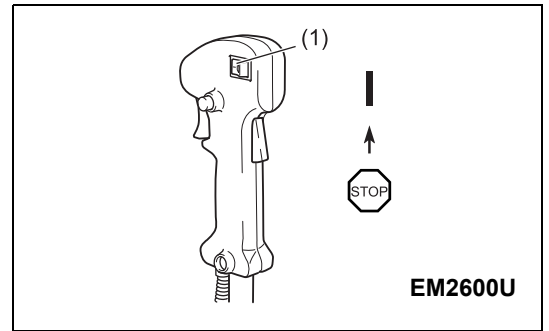
Cold start for loop handle models

- Set the Start-Stop Switch (1) to start position as illustrated.
- Grasp the handle (hand pressure activates the safety lock-off lever (2)).
- Press the throttle lever (3) and hold it down.
- Set the Start-Stop Switch (1) to start position and release the control lever, and then release the Start-Stop Switch (the Start-Stop Switch holds the throttle lever in the start-up position).



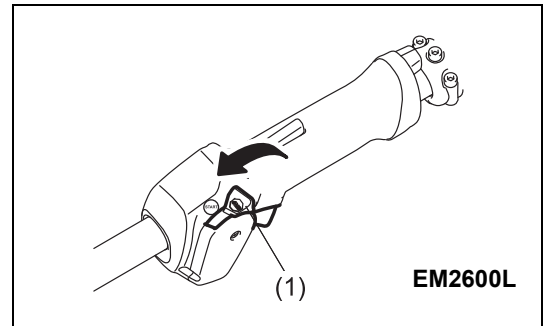
Warm start for U handle models

- Set the I-Stop Switch (on/off) (1) as illustrated.

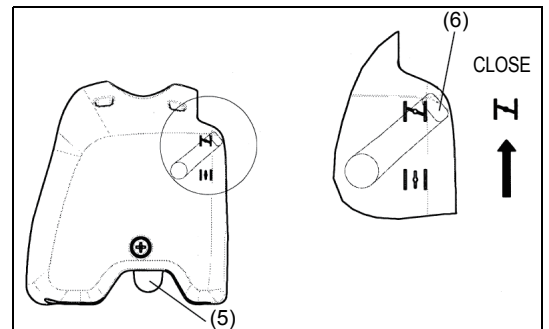


Warm start for loop handle models

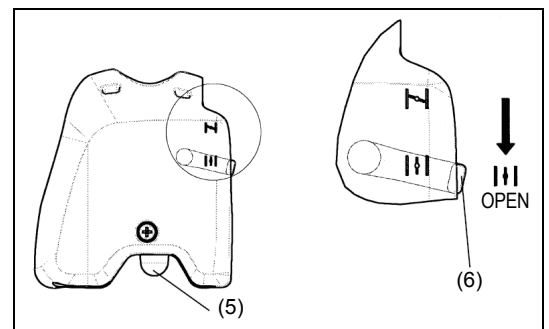
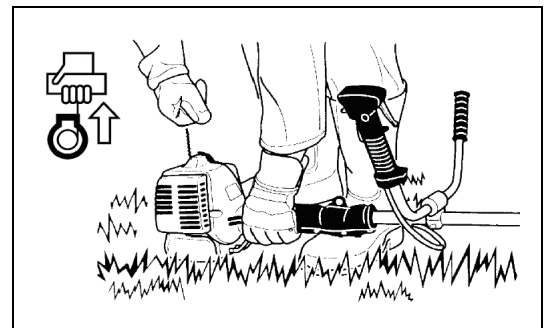
- Set the Start-Stop Switch (1) to neutral position as illustrated.



- First, place the equipment on the ground.
- Gently press the primer pump (5) repeatedly (7-10 times) until fuel comes into the primer pump.
- Close the choke lever (6).
 - Choke opening:
 - Fully closed in cold temperatures or when the engine is cold
 - Fully or half open for restart while the engine is still warm



- Firmly hold the clutch case with your left hand, as illustrated.
- Slowly pull the starter grip until you feel resistance, and then continue to pull sharply.
- Do not pull out the starter rope to its full extent, and do not allow the starter handle to retract by itself. Maintain control of the starter rope and ensure it retracts slowly.
- Repeat the starting operation until you hear the engine's initial ignitions.
- Depress the choke lever (6) (↓) and pull the starter rope again until the engine starts.
- As soon as the engine starts, immediately tap and release the throttle, to release the half-throttle lock and allow the engine to idle.
- Run the engine for approximately one minute at a moderate speed before applying full throttle.



- NOTE:**
- If you pull the starter handle repeatedly when the choke lever is in the at "↓" position, the engine will not start easily due to excessive fuel intake.
 - If excessive fuel intake occurs, remove the spark plug and pull the starter handle slowly to remove excess fuel. Also, dry the electrode section of the spark plug.

Caution during operation:

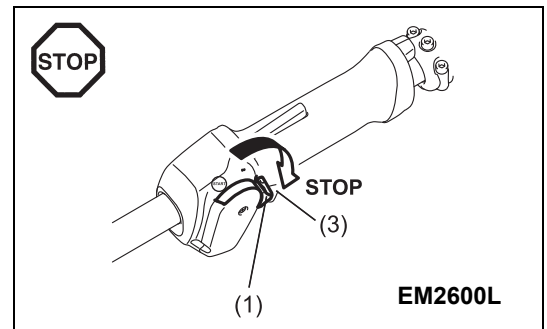
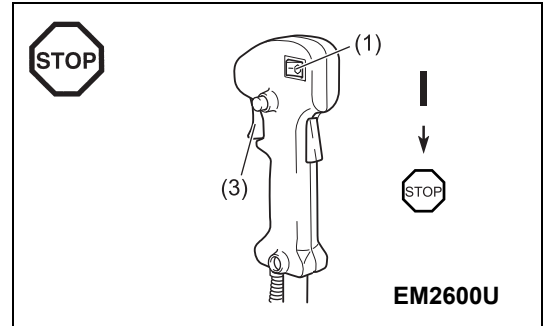
If the throttle lever is opened fully during a no-load operation, the engine revolutions increase over 10,000 min⁻¹. Never operate the engine at a higher speed than required, and keep the revolutions at an approximate speed of 6,000 - 8,000 min⁻¹.

CAUTION: Always reduce the engine revolutions when the equipment is not being used for work.

Operating the equipment at high revolutions when not being used for work will shorten the lifespan of the equipment.

Stopping

- Release the throttle lever (3) fully, and when the engine rpm has lowered, push the I-Stop Switch (on/off)/Start-Stop Switch (1) to "STOP" position to stop the engine.
- Be aware that the cutting head may not stop immediately, and always allow it to slow down and stop fully by itself.



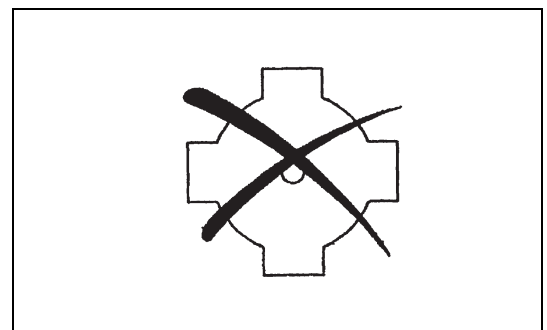
Resharpener the cutting tool

CAUTION: The cutting tools listed below must only be resharpener by an authorized facility. Manual resharpener will result in imbalances of the cutting tool, which will cause vibrations and damage to the equipment.

- cutter blade (star blade (4 teeth))

A professional resharpener and balancing service is provided by Authorized Service Agents.

NOTE: To increase the service life of the cutter blade (star blade) the blade may be turned over to allow both cutting edges to wear.



NYLON CUTTING HEAD

The nylon cutting head is a dual line trimmer head that has bump & feed mechanism.

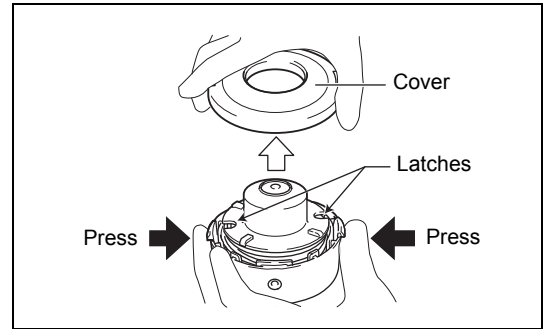
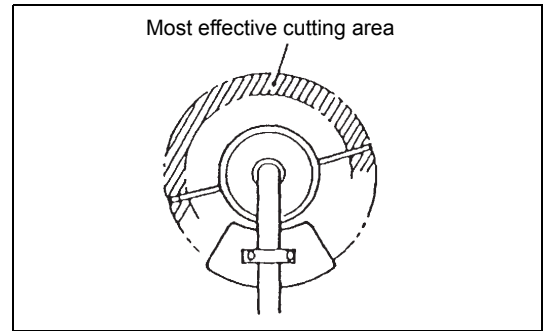
The nylon cutting head feeds out the nylon cord after tapping the trimmer head on the ground.

Operation

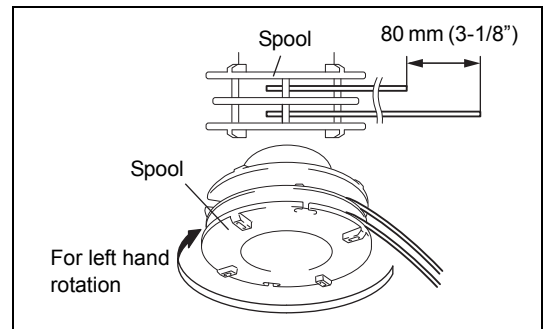
- The most effective cutting area is shown by the shaded area.
- To feed the nylon cord, increase the nylon cutting head speed to approx. 6,000 min^{-1} and tap the nylon cutting head lightly on the ground.
- If the nylon cutting head does not feed out by tapping, rewind/replace the nylon cord by following the procedures described under "Replacing the nylon cord."

Replacing the nylon cord

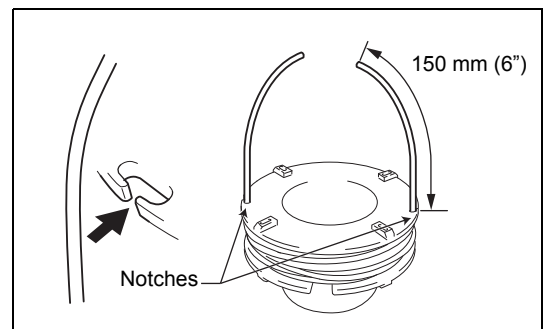
- Stop the engine.
- Press the housing latches inward to lift off the cover, then remove the spool.



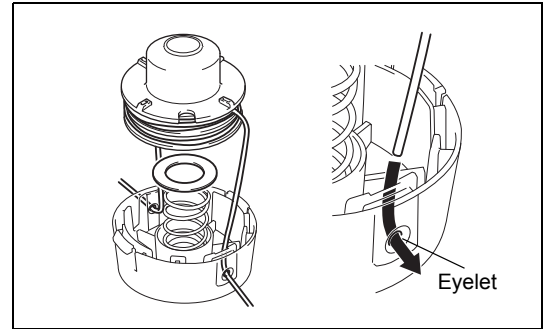
- Hook the center of new nylon cord into the notch in the center of the spool, with one end of the cord extending about 80 mm (3-1/8") more than the other. Then wind both ends firmly around the spool in the direction of the head rotation (left-hand direction indicated by LH and right-hand direction by RH on the side of the spool).



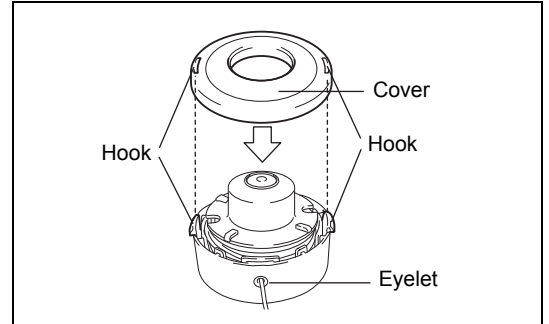
- Wind all but about 150 mm (6") of the cords around the spool, leaving the ends temporarily hooked through the notch on the side of the spool.



- Feed the cords through the eyelets to come out of the housing.
Mount the washer, spring, and spool in the housing.



- Align the hooks on the the cover and the housing.
Then push cover firmly onto the housing to secure it.



Servicing instructions

Servicing instructions

CAUTION: Before performing any type of maintenance work on the brush cutter, always switch off the motor and detach the plug cap from the spark plug (see "checking the spark plug").
Always wear protective gloves.

CAUTION: Never remove the recoil starter yourself. Doing so may cause an accident. This procedure should only be performed by an Authorized Service Agent.

To ensure a long service life and to avoid any damage to the equipment, perform the following maintenance operations regularly.

Daily inspection and maintenance

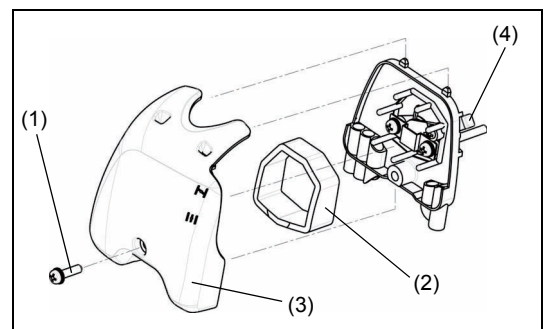
- Before operation, check the equipment for loose screws or missing parts. Pay particular attention to the tightness of the cutter blade or nylon cutting head.
- Before operation, always check to make sure that the cooling air passage and cylinder fins are not clogged.
Clean them if necessary.
- Perform the following maintenance operations daily after use:
 - Clean the brush cutter externally and inspect it for damage.
 - Clean the air filter. When working under extremely dusty conditions, clean the filter several times a day.
 - Check the blade or the nylon cutting head for damage and make sure it is firmly mounted.
 - Check that there is sufficient difference between the idling and operating speeds to ensure the cutting tool is at a standstill while the engine is idling (if necessary, reduce the idling speed).
If the cutting tool continues to rotate during engine idling, consult your nearest Authorized Service Agent.
- Check that the I-Stop Switch (on/off)/Start-Stop Switch, the lock-off lever, the control lever, and the lock button are all functioning correctly.



Cleaning the air cleaner (filter)

- Turn the choke lever (4) to the fully closed side, and keep the carburetor away from any dust or dirt.
- Remove the screw (1).
- Remove the air cleaner cover (3).
- Remove the sponge element (2), wash it in lukewarm water and dry it completely.
- After cleaning, put back the air cleaner cover (3) and fasten it with screw (1).

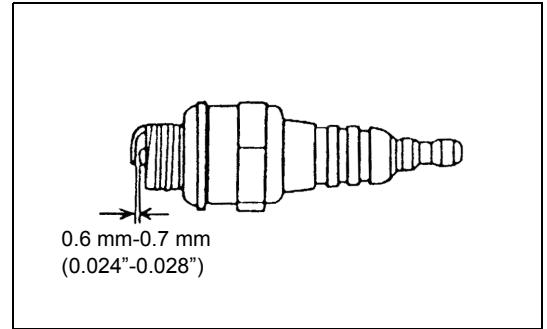
NOTE: If there is excessive dust or dirt adhering to the air cleaner, clean it every day. A clogged air cleaner may make it difficult or impossible to start the engine or increase the engine rotational speed.



Checking the spark plug

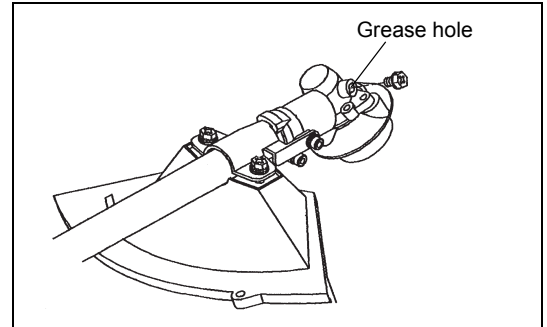
- Only use the supplied universal wrench to remove or to install the spark plug.
- The gap between the two electrodes of the spark plug should be 0.6-0.7 mm (0.024"-0.028"). If the gap is too wide or too narrow, adjust it. If the spark plug is clogged with carbon or dirty, clean it thoroughly or replace it.

CAUTION: Never touch the spark plug connector while the engine is running (danger of high voltage electric shock).



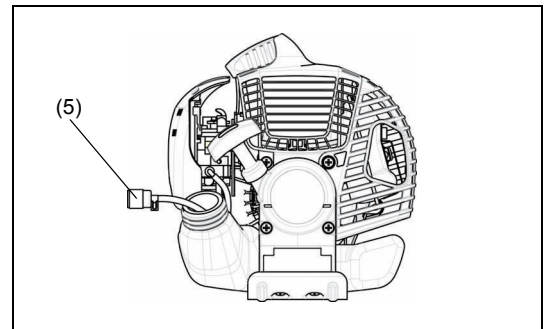
Supply of grease to gear case

- Supply grease (Shell Alvania 2 or equivalent) to the gear case through the grease hole every 30 hours. (Genuine MAKITA grease may be purchased from your MAKITA dealer.)



Suction head in the fuel tank

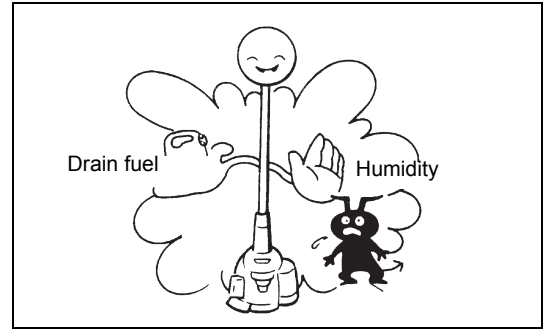
- The fuel filter (5) of the suction head is used to supply the fuel required by the carburetor.
- Visually inspect the fuel filter periodically. To inspect the filter, open the fuel filler cap, use a wire hook and pull out the suction head through the tank opening. Replace the filter if it has hardened, become particularly dirty, or clogged.
- Insufficient fuel supply may result in the maximum permissible speed being exceeded. Therefore, the fuel filter must be replaced at least quarterly to ensure satisfactory fuel supply to the carburetor.



Any other maintenance or adjustment work that is not described in this manual must only be performed by Authorized Service Agents.

Storage

- When storing the equipment for a long period of time, drain all the fuel from the fuel tank and carburetor. To do this, simply drain all of the fuel from the fuel tank. Dispose of the drained fuel in accordance with local applicable laws.
- Remove the spark plug and add a few drops of oil into the spark plug hole. Then, pull the starter gently so that oil coats the inside of the engine, then tighten the spark plug.
- Clean any dirt or dust from the cutter blade and outside of the engine, and wipe them with a oil-immersed cloth. Store the equipment in a dry place.



Maintenance schedule

General	Engine assembly, screws and nuts	Visual inspection for damage and tightness Check for general condition and security
After each refuelling	Control lever I-Stop Switch (on/off)/Start-Stop Switch	Functional check Functional check
Daily	Air filter Cooling air duct Cutting tool Idling speed	To be cleaned To be cleaned Check for damage and sharpness Inspection (cutting tool must not move)
Weekly	Spark plug Muffler	Inspection, replace if necessary Inspect, and clean the opening if necessary
Quarterly	Suction head Fuel tank	To be replaced To be cleaned
Shutting down procedure	Fuel tank Carburetor	Empty fuel tank Operate until engine runs out of fuel

Troubleshooting

Fault	System	Observation	Cause
Engine doesn't start, or is difficult to start	Ignition system	Ignition spark O.K.	Fault in fuel supply or compression system, mechanical defect
		No ignition spark	I-Stop Switch (on/off)/Start-Stop Switch operated, wiring fault or short circuit, spark plug or connector defective, ignition module faulty
	Fuel supply	Fuel tank filled	Incorrect choke position, carburetor defective, fuel supply line bent or blocked, fuel dirty
	Compression	No compression when pulled over	Cylinder bottom gasket defective, crankshaft seals damaged, cylinder or piston rings defective or improper sealing of spark plug
Warm start problems	Mechanical fault	Starter not engaging	Broken starter spring, broken parts inside the engine
		Tank filled. Ignition spark O.K.	Carburetor contaminated, must be cleaned
Engine starts but dies	Fuel supply	Tank filled	Incorrect idling adjustment, carburetor contaminated Fuel tank vent defective, fuel supply line interrupted, cable or I-Stop Switch (on/off)/Start-Stop Switch faulty
Insufficient performance	Several systems may simultaneously be affected	Engine idling poor	Air filter contaminated, carburetor contaminated, muffler clogged, exhaust duct in the cylinder clogged

Merci pour votre achat de cette débroussailleuse thermique de MAKITA. Les débroussailleuses thermiques MAKITA sont des produits développés après de nombreuses années d'apprentissage et d'expérience et d'un programme de développement détaillé.

Veuillez lire ce manuel complètement afin d'être certain d'obtenir les meilleures performances possibles et des résultats remarquables que peut vous procurer votre débroussailleuse thermique MAKITA.



Table des matières	Page
Symboles	20
Instructions de sécurité	21
Caractéristiques techniques	25
Noms des pièces	26
Montage de la poignée	27
Montage du dispositif de protection	28
Montage de la lame de coupe/tête à fil en nylon	29
Carburant/Ravitaillement	30
Manutention correcte	31
Notes importantes relatives au fonctionnement/ à l'arrêt de la débroussailleuse thermique	31
Réaffûtage de l'outil de coupe	33
Instructions d'entretien	35
Entreposage	37

Symboles

Vous devez noter les symboles suivants lors de la lecture du manuel d'instructions.

	Lire le manuel d'instructions		Porter des lunettes de protection et des protège-oreilles (pour la débroussailleuse thermique uniquement)
	User d'attention et de soins particuliers		Porter un casque protecteur, des lunettes de protection et des protège-oreilles (pour la débroussailleuse thermique uniquement)
	Interdit		Ne pas utiliser de lames métalliques (pour la débroussailleuse thermique uniquement)
	Rester à distance		Vitesse d'outil maximum autorisé
	Danger d'objets volants		Surfaces brûlantes - Brûlures aux doigts ou aux mains
	Ne pas fumer		Mélange d'huile et de carburant
	Pas de flammes nues		Démarrage manuel du moteur
	Porter des gants de protection		Arrêt d'urgence
	Choc en retour		Premiers secours
	Éloigner les personnes et les animaux du lieu de travail		SOUS TENSION/DÉMARRAGE
	Porter des bottes robustes équipées de semelles antidérapantes. Les bottes de sécurité à doigts de pieds métalliques sont recommandées.		HORS TENSION/ARRÊT
			DÉMARRAGE

Instructions de sécurité

Instructions générales

- Il est vivement recommandé à toute personne désirant utiliser correctement l'outil de lire et de comprendre en entier le présent manuel d'instructions afin de se familiariser avec l'utilisation de la débroussailleuse thermique. L'utilisation de cet équipement sans une bonne connaissance de son fonctionnement peut entraîner des blessures graves non seulement à vous-même mais aussi aux autres.
- Ne prêtez votre débroussailleuse thermique qu'à des gens qui ont une expérience éprouvée de ces débroussailleuses thermiques. Joignez toujours le présent manuel en cas de prêt.
- Si vous utilisez une débroussailleuse thermique à moteur pour la première fois, consultez votre revendeur pour les instructions de base.
- Il est interdit aux enfants et à toute personne âgée de moins de 18 ans d'utiliser la débroussailleuse thermique. Les personnes de plus de 16 ans peuvent l'utiliser à des fins de formation, mais uniquement sous la supervision d'un formateur agréé.
- Utilisez les débroussailleuses thermiques avec le plus grand soin et attention.
- N'utilisez la débroussailleuse thermique que si vous êtes en bonne condition physique. Effectuez tout le travail avec calme et prudence. Vous êtes responsable de ceux qui se trouvent autour de vous.
- N'utilisez jamais la débroussailleuse thermique après avoir consommé de l'alcool ou pris des médicaments, ou si vous vous sentez fatigué ou malade.

AVERTISSEMENT : Cette machine produit un champ électromagnétique pendant son fonctionnement. Dans certaines circonstances, ce champ peut perturber le fonctionnement d'implants médicaux actifs ou passifs. Pour réduire les risques de blessure grave ou mortelle, il est recommandé aux personnes porteuses d'un implant médical de consulter leur médecin et le fabricant de l'implant médical en question avant d'utiliser cette machine.

Utilisation prévue de l'équipement

- La débroussailleuse thermique est destinée à couper de l'herbe, des taillis et d'autres petits arbustes et, ne doit jamais être utilisée à d'autres fins telles que le déblaiement ou la taille de haies car cela peut causer des blessures.

Équipement de protection individuelle

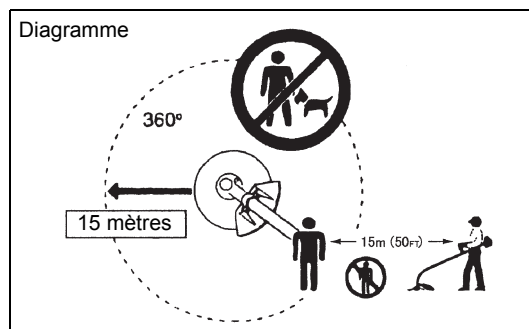
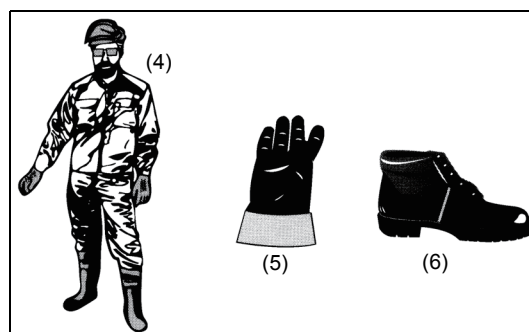
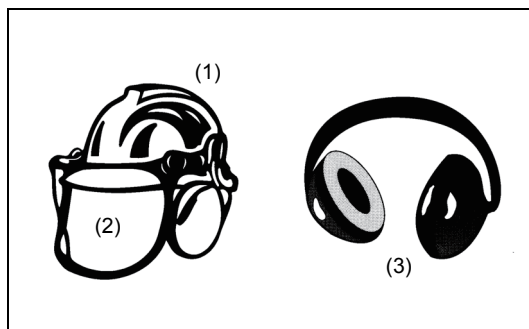
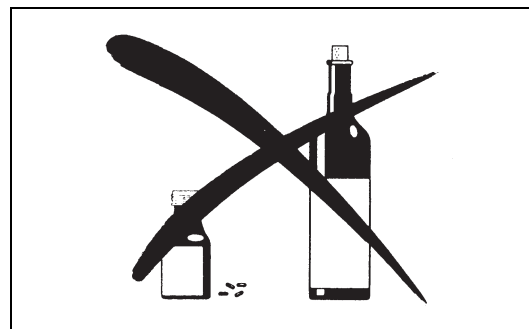
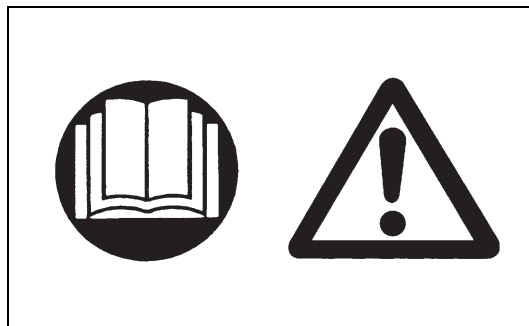
- Portez toujours des vêtements qui sont à la fois fonctionnels et appropriés au travail, c'est-à-dire bien ajustés mais pas trop serrés afin de ne pas causer de mouvement inconfortable. Ne portez pas de bijoux ou de vêtements qui pourraient s'emmêler dans les taillis ou les petits arbustes.
- L'équipement de protection suivant ainsi que les vêtements de protection doivent être utilisés tandis que vous utilisez la débroussailleuse thermique afin d'éviter des blessures au pied, à la main, aux yeux et à la tête ainsi que pour protéger votre ouïe durant l'utilisation.
- Portez toujours un casque en cas de risque de chute d'objets. Le casque de protection (1) doit être vérifié régulièrement pour parer à d'éventuels dommages et il doit être remplacé au plus tard tous les 5 ans. N'utilisez que des casques de protection agréés.
- La visière (2) du casque (ou alternativement les lunettes) protège le visage des débris et des pierres qui volent. Pendant l'utilisation de la débroussailleuse thermique, portez toujours des lunettes ou une visière afin d'éviter toute blessure aux yeux.
- Portez un équipement de protection antibruit adéquat afin d'éviter toute perte auditive (coquilles antibruit (3), bouchons d'oreille etc.).
- Des vêtements de travail (4) protègent contre les débris et les pierres qui volent. Nous recommandons fortement que vous portiez vos vêtements de travail.
- Des gants spéciaux (5) en cuir épais font partie de l'équipement prescrit et doivent toujours être portés durant l'utilisation de la débroussailleuse thermique.
- Lors de l'utilisation de la débroussailleuse thermique, portez toujours des chaussures robustes (6) avec une semelle anti-dérapante. De telles chaussures protègent contre les blessures et assurent une bonne assise.

Risques résiduels

- Même si la machine est utilisée comme indiqué, il n'est pas possible d'éliminer tous les facteurs de risque résiduel. Les accidents décrits ci-après peuvent survenir en relation avec la conception et la fabrication de la machine :
 1. Dommages aux poumons en cas de non port d'un masque anti-poussières efficace.
 2. Dommages à l'ouïe en cas de non port d'une protection auditive efficace.
 3. Problèmes de santé résultant de l'émission de vibrations si la machine est utilisée pendant une période prolongée ou si elle n'est pas traitée et entretenue correctement.

Démarrage de la débroussailleuse thermique

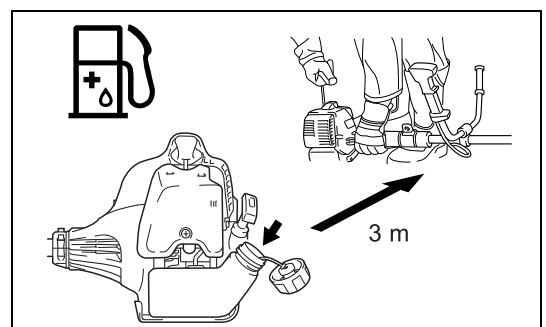
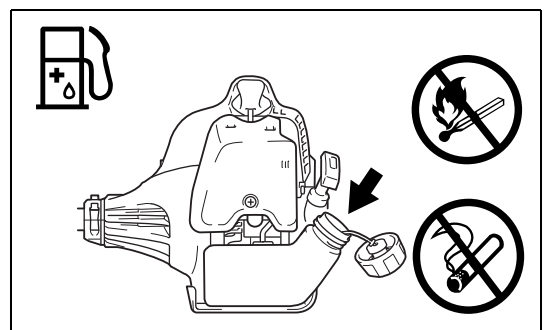
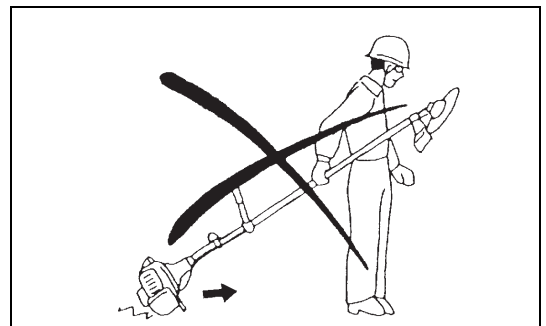
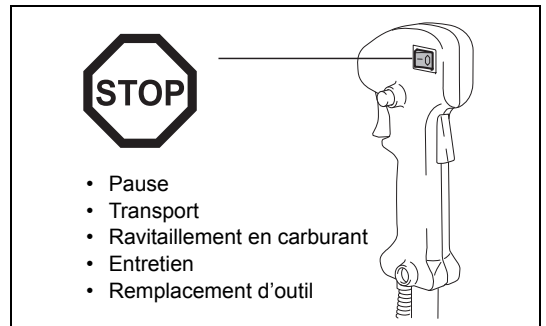
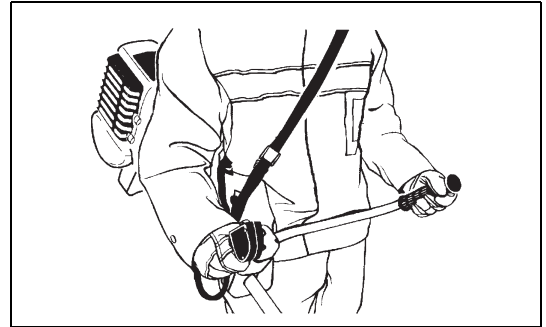
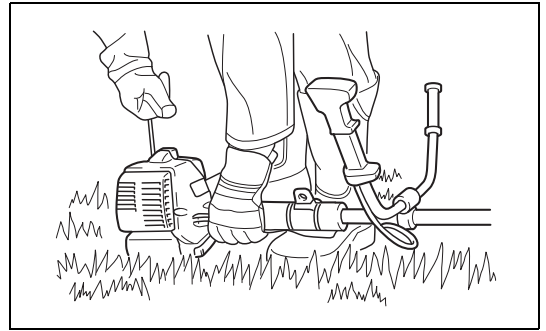
- Éloignez les personnes et les enfants du lieu de travail à une distance minimum de 15 mètres et aussi faites attention aux animaux qui pourraient se trouver à proximité.
- Avant utilisation, vérifiez toujours que la débroussailleuse thermique peut être utilisée en toute sécurité : Vérifiez que l'outil de coupe est sûr, que le levier de manœuvre peut être facilement utilisé, et que le verrou du levier de manœuvre fonctionne bien.
- La rotation de l'outil de coupe au repos est interdite. Vérifiez avec votre revendeur si vous pensez que l'équipement peut avoir besoin d'un réglage. Vérifiez que les poignées sont propres et sèches et que l'interrupteur de marche/arrêt fonctionne correctement.



- Ne démarrez la débroussailleuse thermique qu'en conformité avec les instructions. N'utilisez pas d'autres méthodes pour démarrer le moteur !
- N'utilisez la débroussailleuse thermique et les outils que pour des besoins spécifiés.
- Ne démarrez la débroussailleuse thermique qu'une fois l'équipement entièrement assemblé. N'utilisez l'équipement qu'après avoir fixé les accessoires appropriés !
- Avant de démarrer assurez-vous que l'outil de coupe n'est pas en contact avec des objets durs tels que des branches, pierres etc. et qu'il tournera au démarrage.
- Éteignez de suite le moteur si un problème de moteur se produit.
- Si l'outil de coupe heurte des pierres ou d'autres objets durs, coupez immédiatement le moteur et examinez l'outil de coupe.
- Examinez l'outil de coupe à intervalles réguliers courts pour voir s'il n'a pas subi de dommages (recherchez des fissures capillaires à l'aide du test de tapping).
- N'utilisez la débroussailleuse thermique qu'après avoir mis et réglé la sangle du harnais selon la longueur correcte. La sangle du harnais doit être réglée selon la taille de l'utilisateur et attachée afin d'empêcher toute fatigue durant l'utilisation de l'équipement. Ne tenez jamais la débroussailleuse d'une seule main durant l'utilisation.
- Lors du fonctionnement, tenez toujours la débroussailleuse thermique avec les deux mains.
Assurez-vous toujours que vous avez une bonne assise.
- Utilisez la débroussailleuse thermique de façon à éviter d'inhaler les gaz d'échappement. Ne faites jamais tourner le moteur dans un espace fermé tel que l'intérieur d'une pièce (risque d'empoisonnement par les gaz). Le monoxyde de carbone est un gaz sans odeur.
- Éteignez toujours le moteur au repos, ou si vous avez l'intention de laisser la débroussailleuse thermique sans surveillance, et mettez-la dans un endroit sûr afin d'empêcher de blesser d'autres personnes et d'endommager l'équipement.
- Ne mettez jamais la débroussailleuse thermique chaude sur de l'herbe sèche ou sur d'autres matériaux combustibles.
- L'outil de coupe doit toujours être équipé de sa protection appropriée. N'utilisez jamais la débroussailleuse sans cette protection !
- Tous les carters et installations de protection fournis avec l'appareil doivent être utilisés durant le fonctionnement.
- Ne faites jamais fonctionner le moteur si le silencieux d'échappement est défectueux.
- Éteignez le moteur pendant le transport.
- Lorsque vous transportez l'appareil, fixez toujours le couvercle sur la lame de coupe.
- Assurez-vous que la débroussailleuse thermique est sécurisée durant le transport pour éviter des fuites de carburant.
- Lors du transport de la débroussailleuse thermique, assurez-vous que le réservoir de carburant est complètement vide.
- Lorsque vous déchargez la débroussailleuse thermique d'un camion ou d'un autre véhicule analogue, ne laissez jamais tomber le moteur sur le sol, ce qui pourrait endommager gravement le réservoir de carburant.
- À moins d'une urgence, ne laissez jamais tomber ou couler la débroussailleuse thermique sur le sol au risque de l'endommager gravement.
- Soulevez toujours l'ensemble de l'équipement du sol lorsque vous le déplacez. Traîner l'équipement sur son réservoir de carburant est extrêmement dangereux et peut entraîner des fuites susceptibles de causer un incendie.
- En cas de chute ou d'impact de l'appareil, vérifiez qu'il est en bon état avant de poursuivre le travail. Vérifiez qu'il n'y a pas de fuite de carburant dans le circuit d'alimentation et que les commandes et dispositifs de sécurité fonctionnent correctement. En cas de dommage ou de doute, demandez à un centre d'entretien agréé d'examiner et de réparer l'outil.

Ravitaillement en carburant

- Éteignez le moteur lors du ravitaillement, éloignez-le des flammes nues et ne fumez pas.
- Assurez-vous que les produits d'huile minérale n'entrent pas en contact avec la peau. N'inhaliez pas les vapeurs de carburant. Portez toujours des gants de protection pendant le ravitaillement en carburant. Changez et nettoyez régulièrement les vêtements de protection.
- Afin de prévenir toute contamination de la terre (protection environnementale), assurez-vous de ne pas renverser de carburant ou d'huile sur le sol. Si vous renversez du carburant, nettoyez immédiatement la débroussailleuse thermique.
- Assurez-vous que le carburant n'entre pas en contact avec vos vêtements. Si le carburant entre en contact avec vos vêtements changez-les immédiatement afin d'empêcher tout incendie.
- Vérifiez régulièrement le bouchon du réservoir de carburant pour vous assurer qu'il est fermement serré et ne fuit pas.
- Serrez soigneusement le bouchon du réservoir de carburant. Une fois le ravitaillement terminé, déplacez-le à un endroit éloigné d'au moins 3 mètres d'où vous l'avez rempli avant de démarrer le moteur.



- Ne procédez jamais au ravitaillement dans un espace fermé tel que l'intérieur d'une pièce. Vous pourriez provoquer une explosion liée à l'accumulation de vapeurs de carburant au niveau du sol.
- Transportez et stockez le carburant uniquement dans des conteneurs agréés. Assurez-vous que les enfants ne peuvent pas accéder au carburant.

Mode d'emploi

- N'utilisez la débroussailleuse thermique qu'avec une bonne visibilité et un bon éclairage. Durant la saison d'hiver, faites attention aux zones glissantes ou mouillées telles que des zones verglacées ou recouvertes de neige (risque de glissade). Assurez-vous toujours que vous êtes bien stable.
- Ne coupez jamais à une hauteur supérieure aux épaules.
- Ne vous tenez jamais sur une échelle lorsque vous utilisez la débroussailleuse thermique.
- Ne grimpez jamais dans les arbres lorsque vous utilisez la débroussailleuse thermique.
- Ne travaillez jamais sur des surfaces instables.
- Enlevez le sable, les pierres, les clous etc., trouvés à l'intérieur du périmètre de travail.
Les corps étrangers peuvent endommager l'outil de coupe et causer des chocs en retour dangereux.
- Avant de commencer à couper, assurez-vous que l'outil de coupe a atteint son régime de croisière.
- Si de l'herbe ou des branches sont coincées entre l'outil de coupe et le protège-lame, coupez toujours le moteur avant de procéder au nettoyage. Dans le cas contraire, la rotation involontaire de la lame peut causer de graves blessures.
- Reposez-vous pour éviter toute perte de contrôle due à la fatigue. Il est recommandé de faire une pause de 10 à 20 minutes toutes les heures.

Choc en retour (poussée de lame)

- Lorsque vous utilisez la débroussailleuse thermique, des chocs en retour incontrôlés peuvent se produire.
- Des chocs en retour se produisent fréquemment lorsque vous essayez de couper avec la section de la lame située entre 12 heures et 2 heures.
- N'appliquez jamais la section de la lame de coupe de la débroussailleuse thermique entre 12 heures et 2 heures.
- N'appliquez jamais cette section de la lame de coupe de la débroussailleuse thermique sur des objets solides, tels que des arbustes ou des arbres etc. d'un diamètre supérieur à 3 cm. Cela pourrait faire dévier la débroussailleuse thermique avec une grande force, ce qui est extrêmement dangereux et peut causer des blessures.

Prévention des chocs en retour

Pour éviter les chocs en retour, n'oubliez pas ce qui suit :

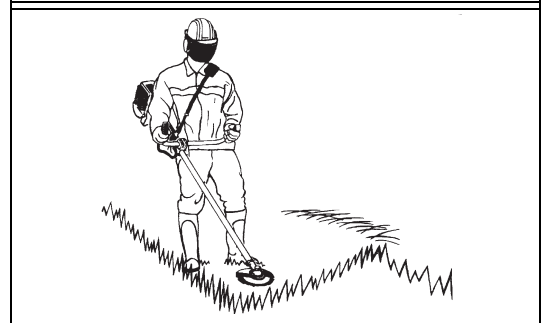
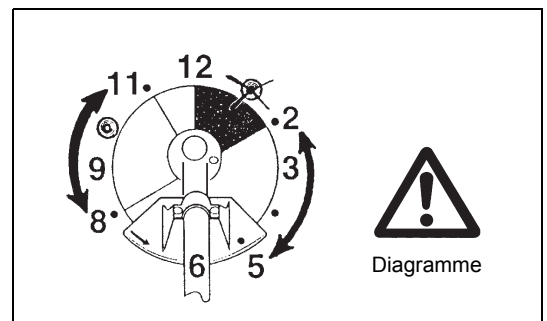
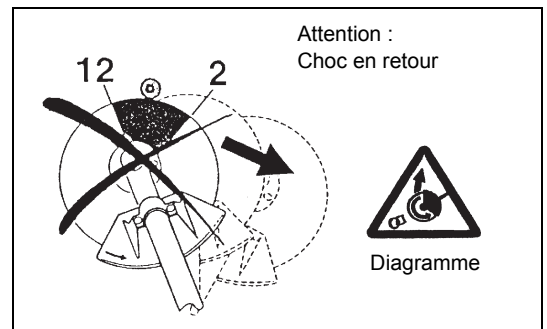
- L'utilisation de la section de la lame entre 12 heures et 2 heures est extrêmement dangereux, en particulier lors de l'utilisation d'outils de coupe métalliques.
- Les opérations de coupe utilisant les sections de la lame entre 11 heures et 12 heures et entre 2 heures et 5 heures doivent être effectuées uniquement par des opérateurs formés et expérimentés, et uniquement à leur propre risque. La section de coupe optimale pour une coupe facile avec quasiment aucun choc en retour se trouve dans la section de la lame située entre 8 heures et 11 heures.

Outils de coupe

- Utilisez un outil de coupe approprié pour le travail à effectuer.
Les têtes à fil de nylon (têtes de débroussailleuse) conviennent à la tonte du gazon.
Les lames métalliques sont idéales pour couper les mauvaises herbes, les herbes hautes, les buissons, les arbustes, les sous-bois, les fourrés et toute végétation similaire.
N'utilisez jamais d'autres lames, notamment des lames pivotantes métalliques multipièces et des lames de fléau, au risque de provoquer des blessures graves.
- Lors de l'utilisation de lames métalliques, évitez les « chocs en retour » et préparez-vous toujours à un choc en retour accidentel. Consultez la section « Choc en retour » et « Prévention des chocs en retour ».

Instructions d'entretien

- L'entretien de votre appareil doit être effectué par l'un de nos centres d'entretien agréés et seules des pièces de rechange authentiques doivent être utilisées. Une réparation incorrecte et un entretien défectueux peuvent réduire la durée de vie de l'appareil et accroître le risque d'accidents.
- Avant de commencer le travail vérifiez toujours la condition de la lame de coupe, en particulier ses dispositifs de protection et la sangle du harnais. Il faut examiner avec une attention toute particulière les lames de coupe, qui doivent être bien aiguisées.
- Mettez le moteur hors tension et enlevez le connecteur de bougies lorsque vous remplacez ou aigüisez les outils de coupe, ainsi que lorsque vous nettoyez la lame ou l'outil de coupe.



Ne redressez et ne soudez jamais des outils de coupe endommagés.

- Utilisez la débroussailleuse thermique en émettant le moins de bruit et de contamination possible. En particulier, vérifiez que le carburateur est fixé correctement.
- Nettoyez régulièrement la débroussailleuse thermique et vérifiez que toutes les vis ainsi que les écrous sont bien serrés.
- Ne procédez jamais à l'entretien de la débroussailleuse thermique et ne la stockez jamais à proximité de flammes nues.
- Rangez toujours la débroussailleuse thermique dans des pièces fermées, avec le réservoir de carburant complètement vide.
- Lors du nettoyage, de l'entretien et du stockage de l'appareil, fixez toujours le couvercle à la lame de coupe.

Respectez les instructions de prévention des accidents correspondantes publiées par les associations professionnelles et les compagnies d'assurance. N'effectuez aucune modification sur la débroussailleuse thermique, au risque de compromettre votre sécurité.

L'exécution de l'entretien ou de réparations par l'utilisateur se limite aux activités décrites dans le mode d'emploi. Toute autre tâche doit être réalisée par un agent d'entretien agréé. Utilisez uniquement des pièces de rechange et des accessoires d'origine fournis par MAKITA.

L'utilisation d'accessoires et d'outils non agréés entraînera un risque accru d'accidents.

MAKITA n'assumera aucune responsabilité pour les accidents ou dommages causés par l'utilisation d'outils de coupe, d'appareils de fixation d'outils de coupe ou d'accessoires non approuvés.

Premier secours

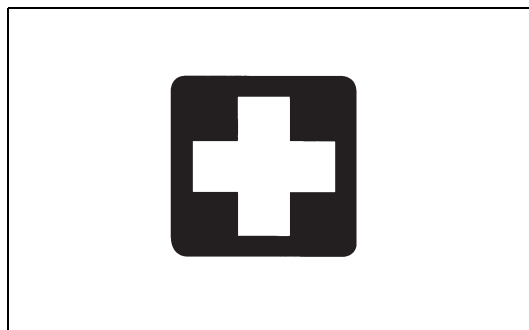
En cas d'accident, assurez-vous qu'une mallette de premier secours se trouve à proximité des opérations de coupe. Remplacez immédiatement tout article pris dans la mallette de premier secours.

Lorsque vous demandez de l'aide, veuillez fournir les renseignements suivants :

- Lieu de l'accident
- Ce qui s'est passé
- Nombre de personnes blessées
- Types de blessures
- Votre nom

Vibrations

- Les personnes souffrant de troubles circulatoires peuvent subir des blessures au niveau des vaisseaux sanguins ou du système nerveux si elles sont exposées à des vibrations excessives. Les vibrations peuvent entraîner les symptômes suivants aux doigts, mains ou poignets : engourdissement, picotements, douleur, sensation lancinante, changement de couleur de la peau ou altération de la peau. Si l'un ou l'autre de ces symptômes apparaît, consultez un médecin !
- Pour réduire le risque de « maladie des doigts blancs », gardez vos mains au chaud lors de l'utilisation et entretenez bien le matériel et les accessoires.



Pour les pays d'Europe uniquement

Déclaration de conformité CE

Nous, Makita Corporation, en tant que fabricant responsable, déclarons que la ou les machines Makita suivantes :

Nom de la machine : Débroussailleuse thermique

N° de modèle/Type : EM2600U, EM2600L

Spécifications : reportez-vous au tableau « CARACTÉRISTIQUES TECHNIQUES » sont fabriquées en série et

sont conformes aux directives européennes suivantes :

2000/14/CE, 2006/42/CE, 2004/108/CE

et sont produites conformément aux normes ou documents de normalisation suivants :

EN ISO 11806-1, EN ISO 14982

La documentation technique est disponible auprès de :

Makita International Europe Ltd., Technical Department,

Michigan Drive, Tongwell, Milton Keynes, Bucks MK15 8JD, Angleterre

La procédure d'évaluation de la conformité requise par la directive 2000/14/CE est conforme à l'annexe V.

Niveau de puissance sonore mesurée (en tant que coupe-gazon) : 109,77 dB

Niveau de puissance sonore mesurée (en tant que débroussailleuse thermique) : 107,29 dB

Niveau de puissance sonore garantie : 112 dB

15. 4. 2013

Tomoyasu Kato
Directeur
Makita Corporation
3-11-8, Sumiyoshi-cho,
Anjo, Aichi, JAPAN

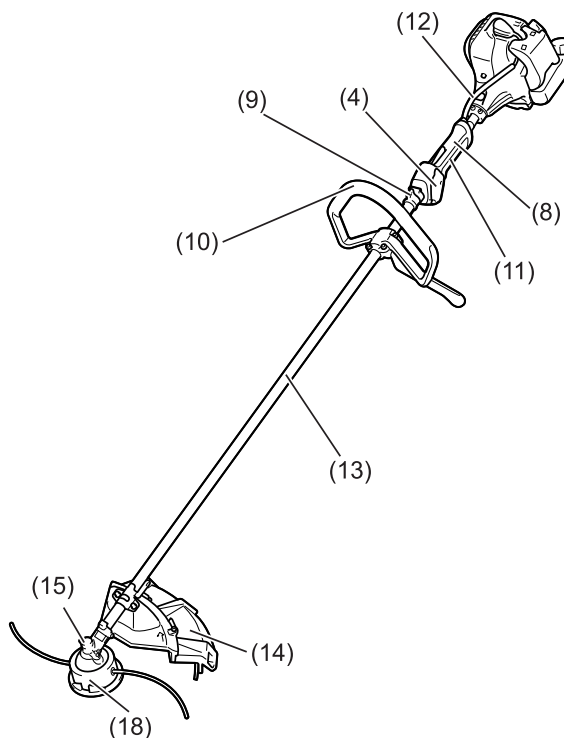
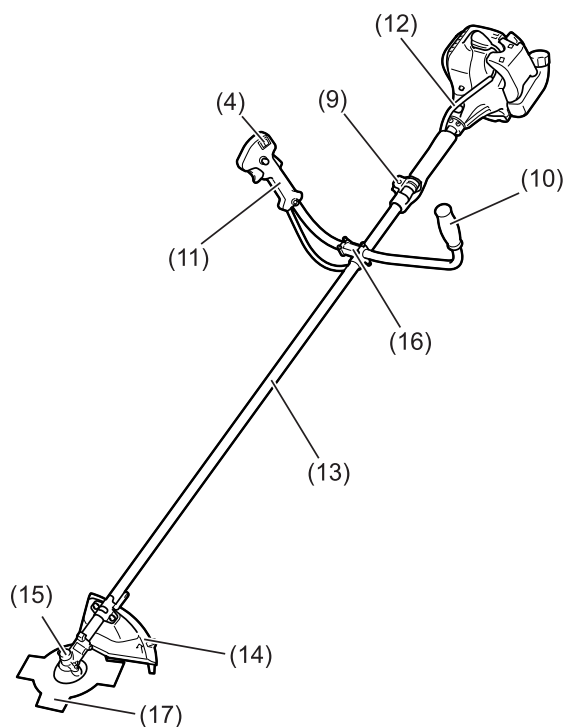
Caractéristiques techniques

Modèle		EM2600U	EM2600L
		Poignée en U	Poignée fermée
Dimensions : longueur x largeur x hauteur (sans la lame de coupe)		1 770 x 610 x 410 mm	1 770 x 330 x 185 mm
Poids net		5 kg	5 kg
Déplacement du moteur		25,7 cm ³	
Performances maximales du moteur		0,83 kW	
Fréquence de rotation maximale de l'axe		8 800 min ⁻¹	
Accessoire de coupe	Lame métallique en une seule pièce	φ230 mm	
	Tête de débroussailleuse	φ430 mm	
Ralenti		3 000/min	
Vitesse d'engagement de l'embrayage		4 100/min	
Rapport de vitesse		14/19	
Carburant		Gaz mélangé Essence : Huile moteur deux temps = 50:1	
Volume (réservoir de carburant)		0,6 l	
Carburateur		WALBRO WYC	
Bougie d'allumage		NGK BPMR7A	
Distance entre les électrodes		0,6 - 0,7 mm	
Vibrations : (pour la débroussailleuse thermique)	Poignée gauche (prise avant)	14,680 m/s ² K = 1,5 m/s ²	5,152 m/s ² K = 1,5 m/s ²
	Poignée droite (prise arrière)	9,037 m/s ² K = 1,5 m/s ²	9,677 m/s ² K = 1,5 m/s ²
Vibrations : (pour le coupe-gazon)	Poignée gauche (prise avant)	7,961 m/s ² K = 1,5 m/s ²	8,83 m/s ² K = 1,5 m/s ²
	Poignée droite (prise avant)	7,019 m/s ² K = 1,5 m/s ²	14,381 m/s ² K = 1,5 m/s ²
Bruit (testé selon les directives 2000/14/CE et 2005/88/CE) :			
Niveau de pression sonore mesurée au niveau de la position de l'opérateur (coupe-gazon) :		98,52 dB (A) K = 2,5 dB (A)	
Niveau de pression sonore mesurée au niveau de la position de l'opérateur (débroussailleuse thermique) :		96,15 dB (A) K = 2,5 dB (A)	
Niveau de puissance sonore mesuré (coupe-gazon) :		109,77 dB (A) K = 2,5 dB (A)	
Niveau de puissance sonore mesuré (débroussailleuse thermique) :		107,29 dB (A) K = 2,5 dB (A)	
Bruit (testé selon les directives 2000/14/CE et 2005/88/CE) : valeurs de puissance sonore garanties		112 dB (A)	

Noms des pièces

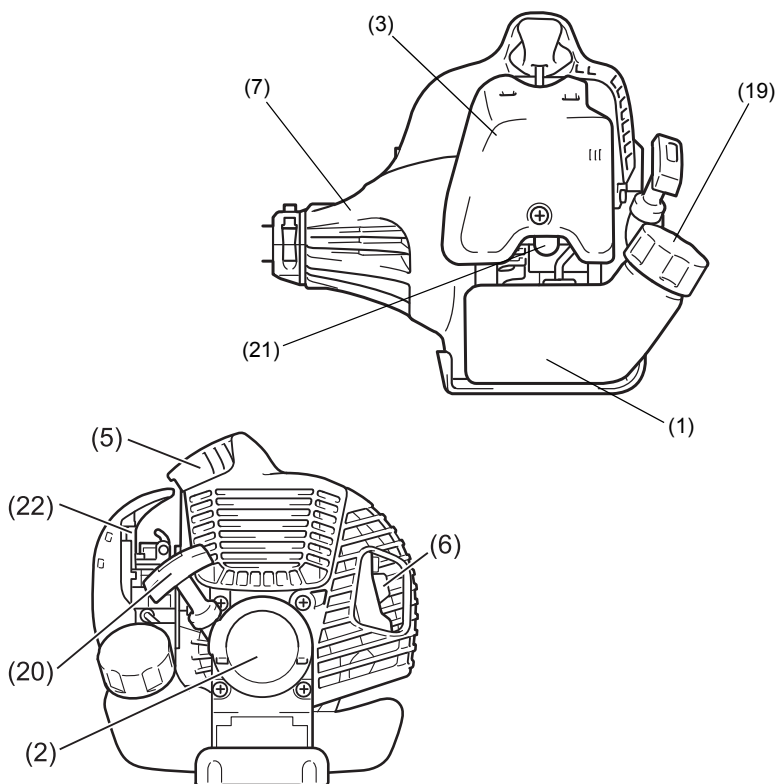
EM2600U

Type de poignée en U



EM2600L

Type de poignée fermée



Noms des pièces	
1	Réservoir de carburant
2	Démarrateur à rappel
3	Filtre à air
4	Interrupteur I-Arrêt (marche/arrêt)/ interrupteur marche/arrêt
5	Bougie d'allumage
6	Silencieux d'échappement
7	Carter d'embrayage
8	Prise arrière
9	Crochet de suspension
10	Poignée
11	Levier de manœuvre
12	Câble de contrôle
13	Arbre
14	Dispositif de protection (protège-lame de l'outil de coupe)
15	Boîte d'engrenage
16	Support de poignée
17	Lame de coupe
18	Tête à fil de nylon
19	Bouchon de remplissage du réservoir
20	Bouton de démarrage
21	Pompe d'amorçage
22	Levier de l'étrangleur

Montage de la poignée

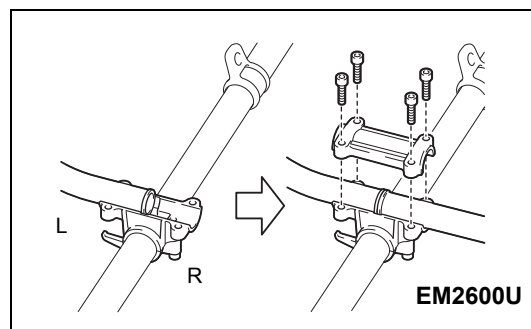
ATTENTION : Avant de faire un travail quelconque sur la débroussailleuse thermique, arrêtez toujours le moteur et débranchez le connecteur des bougies. Portez toujours des gants de protection !

ATTENTION : Assurez-vous que vous avez réassemblé complètement la débroussailleuse thermique avant de la démarrer.

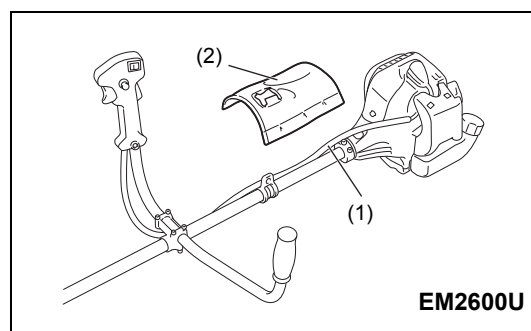


Pour les modèles de poignée en U

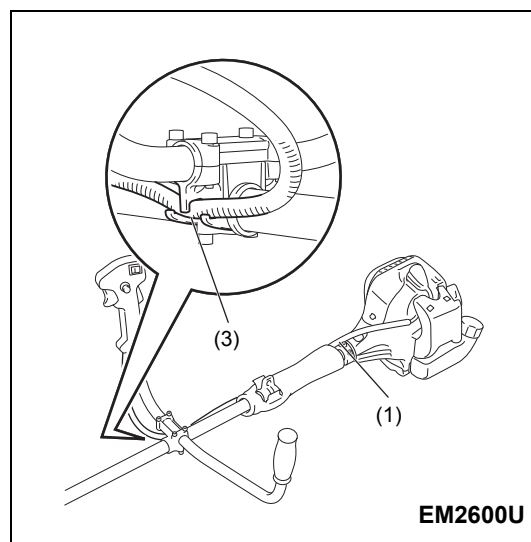
- Placez les deux poignées sur le support de poignée. Le levier de manœuvre doit être installé sur le côté droit lorsque vous regardez vers l'outil de coupe.
- Installez les extrémités des poignées dans la rainure sur le support de poignée et installez la bride sur celles-ci. Serrez-les légèrement avec quatre boulons pour procéder au réglage.
- Réglez l'angle des poignées, puis serrez tous les boulons de manière égale avec une clé hexagonale.



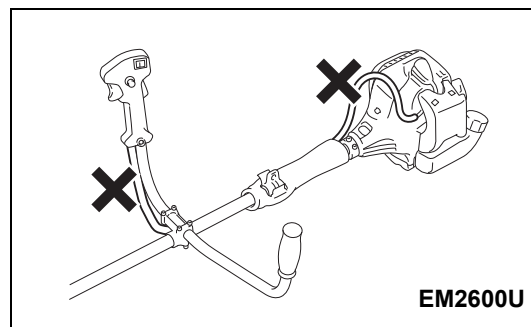
- Placez le câble d'accélérateur (1) sur le côté du levier de manœuvre de l'arbre. Enveloppez-les ensuite avec le coussin d'épaule (2).



- Insérez le câble d'accélérateur (1) dans la fente de serrage (3) sur le support de poignée.
- Assurez-vous que le câble d'accélérateur est positionné comme illustré.
- Actionnez le levier de manœuvre et assurez-vous qu'il bouge sans à-coups.

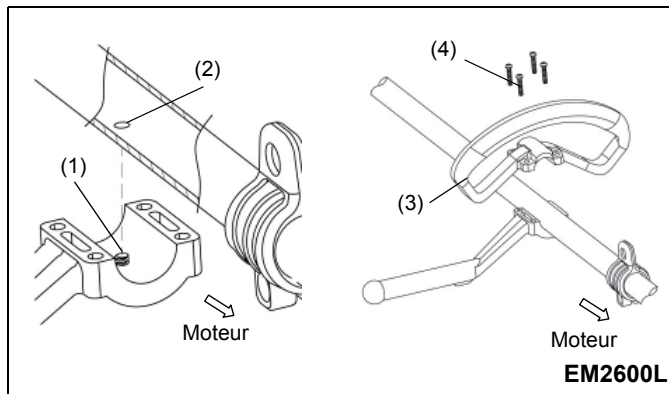


ATTENTION : Ne placez pas le câble d'accélérateur comme illustré. Dans le cas contraire, un câble courbé peut entraîner une vitesse de ralenti élevée et une lame incontrôlable peut provoquer des blessures corporelles.



Pour le modèle à poignée fermée

- Placez le filetage (1) situé sur le support de poignée dans l'orifice d'emplacement (2) sur le tube.
- Installez la poignée (3) de l'assistant sur le garde-fou.
- Serrez les 4 boulons (4) M5 x 30.

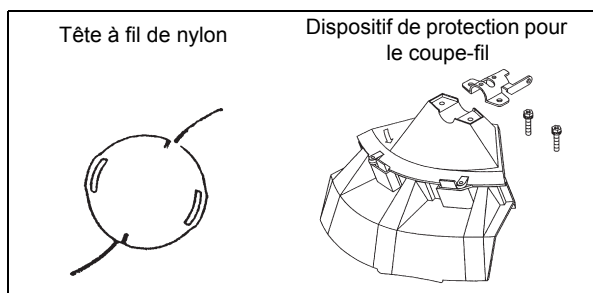
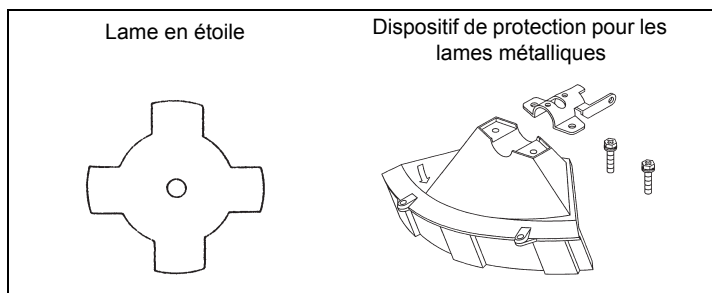


Montage du dispositif de protection

Pour satisfaire les normes de sécurité en vigueur, vous ne devez utiliser que les combinaisons outil/dispositif de protection indiquées dans le tableau.

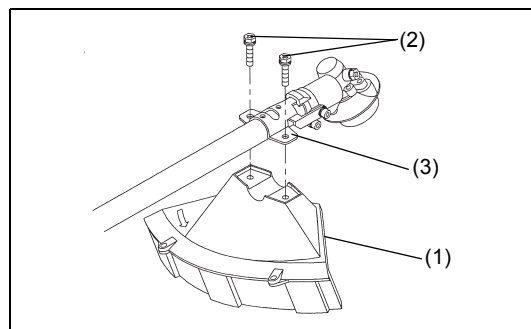
Utilisez toujours des lames de coupe/têtes à fil de nylon d'origine MAKITA.

- La lame de coupe doit être bien aiguisée et dépourvue de fissures ou cassures. Si la lame de coupe heurte une pierre durant l'utilisation, arrêtez le moteur et vérifiez la lame immédiatement.
- Affûtez ou remplacez la lame de coupe toutes les trois heures de fonctionnement.
- Si la tête à fil de nylon heurte une pierre pendant le fonctionnement de l'outil, arrêtez le moteur et vérifiez la tête à fil de nylon immédiatement.

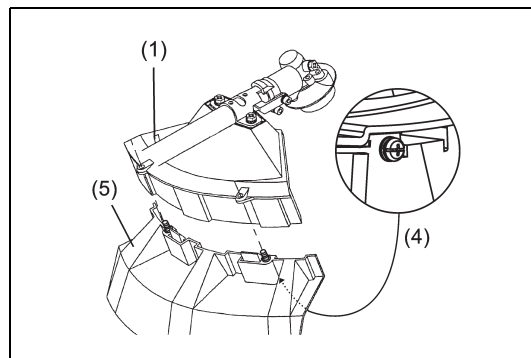


ATTENTION : Il faut toujours installer les dispositifs de protection appropriés pour votre propre sécurité et afin de vous conformer aux règlements relatifs aux préventions des accidents. L'utilisation de l'équipement sans carter installé est interdite.

- Installez le dispositif de protection (1) sur la bride (3) avec deux vis M6 x 30 (2).



- Lorsque vous utilisez la tête à fil de nylon, montez le dispositif de protection (5) dans le dispositif de protection (1) et serrez-les avec deux vis (4).

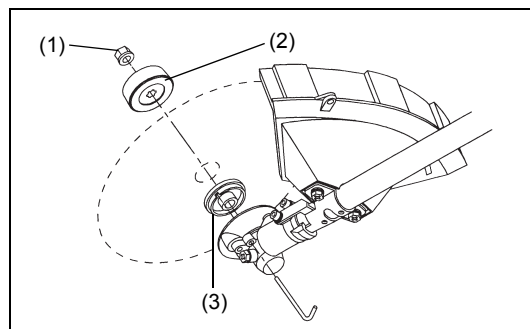


Montage de la lame de coupe/tête à fil en nylon

La lame de coupe ou la tête à fil en nylon peuvent être remplacés facilement tout d'abord en retournant l'appareil.



- Insérez la clé hexagonale à travers le trou dans la boîte d'engrenage et tournez la rondelle de réception (3) jusqu'à ce qu'elle soit verrouillée avec la clé hexagonale.
- Desserrez l'écrou/la rondelle à ressort (1) (filetage gauche) avec la clé à douille, et enlevez l'écrou/la rondelle à ressort (1) et la rondelle de serrage (2).



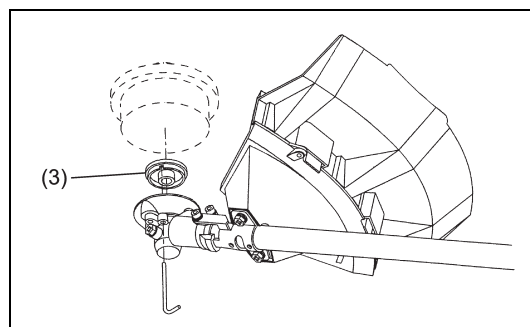
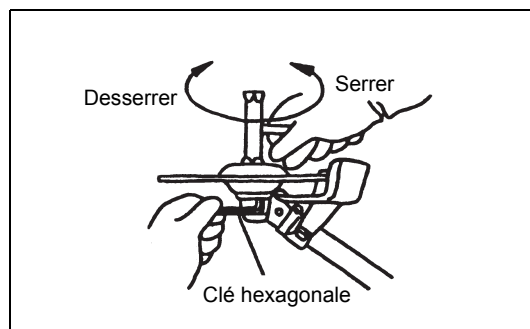
Avec la clé hexagonale encore en position

- Montez la lame de coupe sur l'arbre de sorte que le guide de la rondelle de réception (3) s'ajuste dans l'orifice de l'arbre dans la lame de coupe. Installez la rondelle de serrage (2) et fixez la lame de coupe avec l'écrou/la rondelle à ressort (1).
- [Couple de serrage : 13 - 23 N-m]

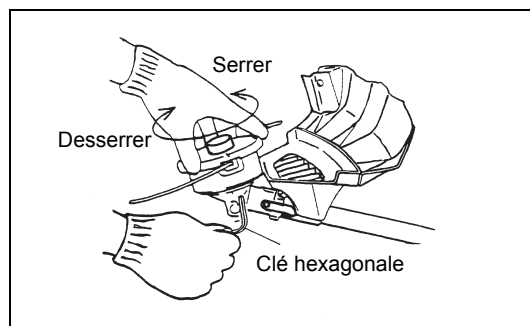
REMARQUE : Portez toujours des gants lorsque vous maniez la lame de coupe.

REMARQUE : L'écrou de fixation de la lame de coupe (avec la rondelle à ressort) est une pièce à changer périodiquement. S'il apparaît de l'usure ou des déformations sur la rondelle à ressort, remplacez l'écrou.

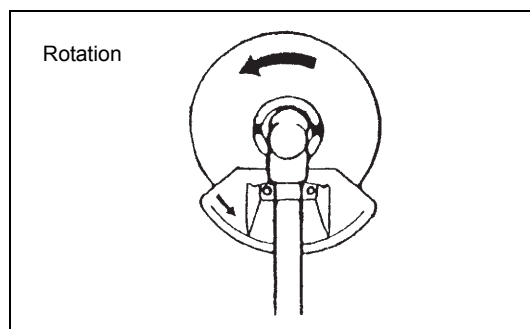
REMARQUE : La rondelle de serrage (2) et l'écrou/la rondelle à ressort (1) ne sont pas nécessaires pour le montage de la tête à fil de nylon. La tête à fil de nylon doit être placée en haut de la rondelle de réception (3).



- Vissez la tête à fil de nylon sur l'arbre.



- Assurez-vous que la lame tourne dans le sens antihoraire.



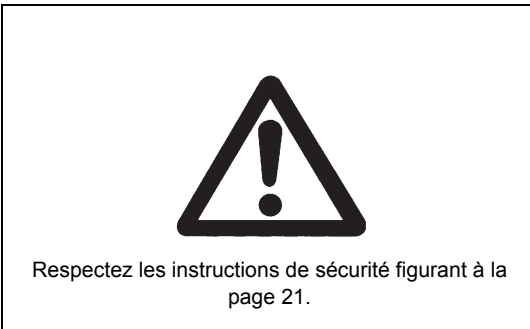


Manutention du carburant

Le plus grand soin est requis lorsque vous manipulez du carburant. Il peut contenir des substances similaires aux solvants. Faites le plein dans une pièce bien ventilée ou en extérieur. Ne respirez pas les vapeurs de carburant et évitez tout contact du carburant ou de l'huile avec votre peau.

Les produits à base d'huile minérale dégraissent la peau. Le contact prolongé de la peau avec ces produits entraîne une sécheresse extrême de la peau susceptible de causer diverses maladies de peau. Des réactions allergiques peuvent également se produire.

Le contact de l'huile avec les yeux peut irriter ces derniers. Si de l'huile pénètre dans vos yeux, lavez-les immédiatement à l'eau claire. Si vos yeux sont toujours irrités, consultez immédiatement un docteur !



Mélange d'huile et de carburant

Le moteur de la débroussailleuse thermique est un moteur deux-temps très efficace. Pour fonctionner, il utilise un mélange de carburant et d'huile pour moteur deux-temps. Le moteur est conçu pour l'essence normale sans plomb et d'une valeur d'octane minimale de 91 RON.

Pour obtenir des performances optimales du moteur et protéger votre santé ainsi que l'environnement, utilisez uniquement du carburant sans plomb !

Pour lubrifier le moteur, ajoutez de l'huile pour moteur deux-temps (norme qualité : JASO FC ou ISO EGD) au carburant. Le moteur a été conçu pour être utilisé avec de l'huile pour moteur deux temps spécifique selon une proportion de mélange de 50:1 afin de protéger l'environnement.

L'utilisation de cette proportion de mélange garantit également une longue durée de service associée à un fonctionnement fiable et des émissions minimum. Le fonctionnement fiable de la débroussailleuse thermique ne peut être garanti que si cette proportion de mélange de 50:1 (huile pour moteur 2 temps spécifiée) est strictement respectée.





Proportion de mélange correcte :

Essence : Huile moteur deux temps spécifiée = 50 : 1 ou

Essence : Huile moteur deux temps des autres fabricants = 25 : 1 recommandé

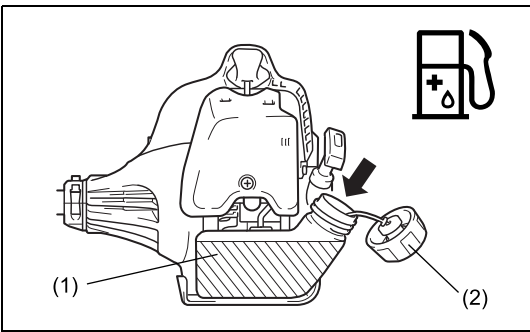
REMARQUE : Pour préparer le mélange d'huile-carburant, mélangez d'abord la quantité d'huile avec la moitié du carburant requis, puis ajoutez le reste du carburant. Secouez bien le mélange avant de le verser dans le réservoir de la débroussailleuse thermique. Afin de garantir un fonctionnement sûr, n'ajoutez pas plus d'huile moteur que la quantité spécifiée. Cela entraînerait une production plus élevée de résidus de combustion qui polluent l'environnement et bouchent le canal d'échappement dans le cylindre ainsi que le pot d'échappement. De plus, la consommation de carburant augmenterait et les performances diminueraient.

Essence	50:1	25:1
	+	
1 000 cm ³ (1 litres)	20 cm ³	40 cm ³
5 000 cm ³ (5 litres)	100 cm ³	200 cm ³
10 000 cm ³ (10 litres)	200 cm ³	400 cm ³

Ravitaillement en carburant

Le moteur doit être coupé.

- Nettoyez avec soin autour du bouchon de remplissage du réservoir (2) afin d'éviter que des impuretés ne pénètrent dans le réservoir de carburant (1).
- Dévissez le bouchon de remplissage du réservoir (2) et remplissez le réservoir avec le carburant.
- Vissez fermement le bouchon de remplissage du réservoir (2).
- Nettoyez le bouchon de remplissage du réservoir à vis (2) et le réservoir après le ravitaillement.



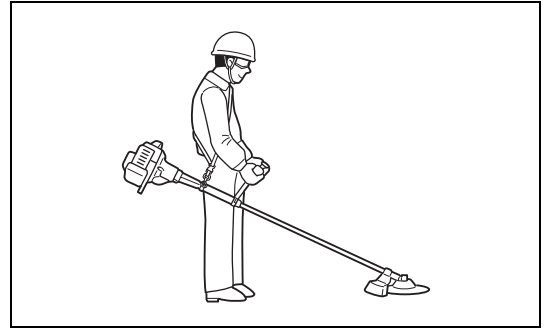
Stockage du carburant

Le carburant ne peut pas être conservé pendant une durée illimitée. N'achetez que la quantité requise pour une période de 4 semaines d'utilisation. N'utilisez que des conteneurs de stockage de carburant approuvés.

Manutention correcte

Fixation de la sangle du harnais

- Réglez la longueur de sangle de sorte que la lame de coupe reste parallèle au sol.

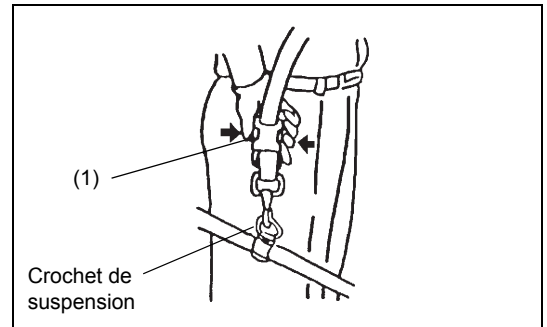


Retrait

- En cas d'urgence, appuyez sur les crans (1) de chaque côté et détachez le matériel.
Faites très attention de conserver le contrôle de l'équipement à ce stade. Ne laissez pas l'équipement être dévié vers vous ou vers quelqu'un qui se trouve à proximité.

AVERTISSEMENT : En perdant le contrôle de la machine, vous risquez de provoquer des blessures corporelles graves ou la MORT.

Remarque : Dans certains pays, la sangle du harnais ne possède pas cette fonction qui permet de la détacher.



Notes importantes relatives au fonctionnement/à l'arrêt de la débroussailleuse thermique

Respectez les réglementations en vigueur en matière de prévention des accidents.



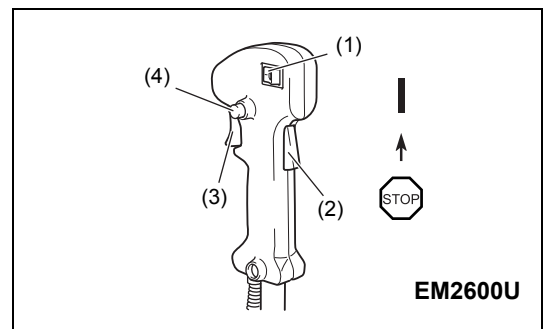
Démarrage

Éloignez-vous d'au moins 3 mètres de la zone de ravitaillement en carburant. Déposez la débroussailleuse thermique sur une surface propre, en veillant à ce que l'outil de coupe n'entre pas en contact avec le sol ou tout autre objet.

AVERTISSEMENT : Veillez à ce que l'outil de coupe tourne immédiatement après le démarrage du moteur.

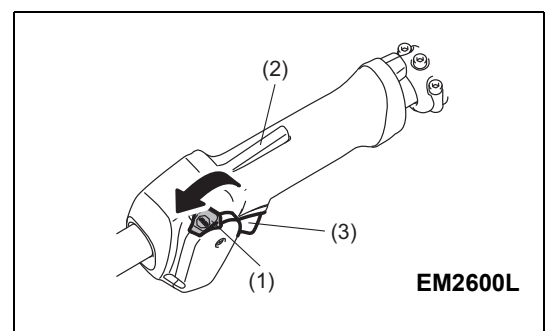
Démarrage à froid pour les modèles à poignée en U

- Réglez l'interrupteur I-Arrêt (marche/arrêt) (1) comme illustré.
- Agrippez la poignée (la pression de la main active le levier de verrouillage de sécurité (2)).
- Appuyez sur le levier d'accélérateur (3) et maintenez-le en régime bas.
- Appuyez sur le bouton de verrouillage (4) et relâchez le levier de manœuvre, puis relâchez le bouton de verrouillage (le bouton de verrouillage maintient le levier d'accélérateur en position de démarrage).



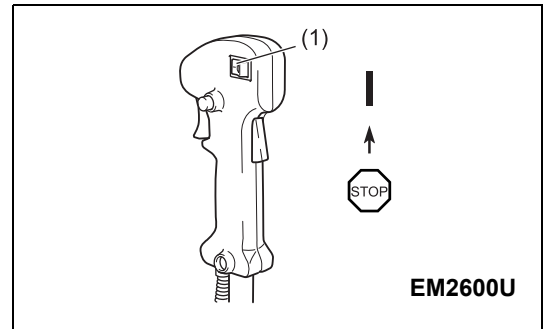
Démarrage à froid pour les modèles à poignée fermée

- Réglez l'interrupteur de marche-arrêt (1) en position de démarrage, comme illustré.
- Agrippez la poignée (la pression de la main active le levier de verrouillage de sécurité (2)).
- Appuyez sur le levier d'accélérateur (3) et maintenez-le en régime bas.
- Placez l'interrupteur de marche-arrêt (1) en position de marche et relâchez le levier de manœuvre, puis relâchez l'interrupteur de marche-arrêt (l'interrupteur de marche-arrêt maintient le levier d'accélérateur en position de démarrage).



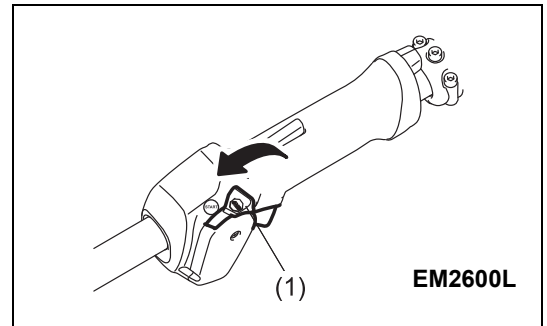
Démarrage à chaud pour les modèles à poignée en U

- Réglez l'interrupteur I-Arrêt (marche/arrêt) (1) comme illustré.

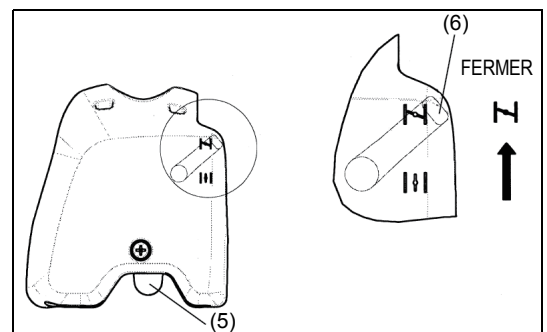


Démarrage à chaud pour les modèles à poignée fermée

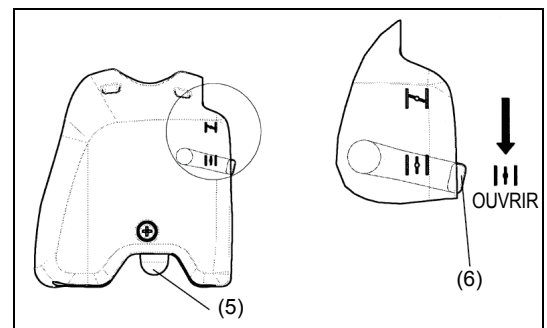
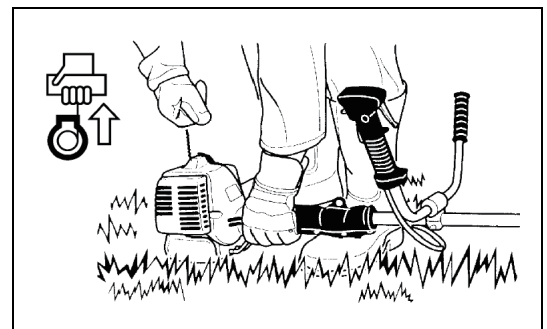
- Réglez l'interrupteur de marche-arrêt (1) en position neutre, comme illustré.



- Placez d'abord l'appareil sur le sol.
- Appuyez doucement sur la pompe d'armorçage (5) à plusieurs reprises (7 à 10 fois) jusqu'à ce que le carburant pénètre dans la pompe d'armorçage.
- Fermez le levier de l'étrangleur (6).
Ouverture de l'étrangleur :
 - Complètement fermé lorsque les températures sont basses ou le moteur froid
 - Complètement ou à moitié ouvert pour le redémarrage lorsque le moteur est encore chaud



- Maintenez fermement le arter d'embrayage avec votre main gauche, comme illustré.
- Tirez lentement la poignée de démarrage jusqu'à ce que vous sentiez une résistance, puis continuez à tirer vigoureusement.
- Ne tirez pas la corde de démarrage jusqu'à sa longueur maximum, et ne laissez pas la poignée de démarrage se rétracter d'elle-même. Maintenez le contrôle de la corde de démarrage et assurez-vous qu'elle se rétracte lentement.
- Répétez l'opération de démarrage jusqu'à ce que vous entendiez l'allumage initial du moteur.
- Baissez le levier de l'étrangleur (6) (↓) et tirez la corde de démarrage jusqu'à ce que le moteur démarre.
- Une fois que le moteur est en marche, mettez immédiatement les gaz, libérez le verrouillage à mi-accélération et laissez le moteur au ralenti.
- Faites tourner le moteur pendant environ une minute à vitesse modérée avant de le mettre plein gaz.



- REMARQUE : – Si vous tirez la poignée de démarrage de manière répétitive lorsque le levier de l'étrangleur est en position « II », le moteur ne démarrera pas facilement en raison d'une entrée de carburant excessive.
- Si une entrée de carburant excessive se produit, enlevez la bougie et tirez la poignée de démarrage lentement pour enlever l'excès de carburant. Séchez également la partie de l'électrode de la bougie.

Mise en garde durant le fonctionnement :

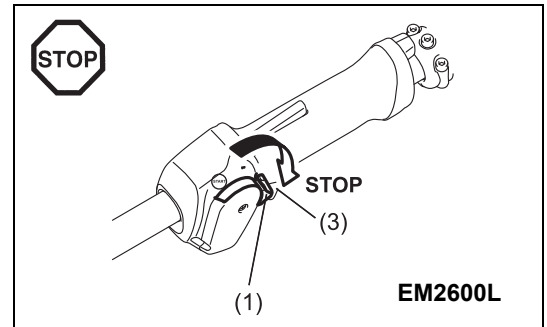
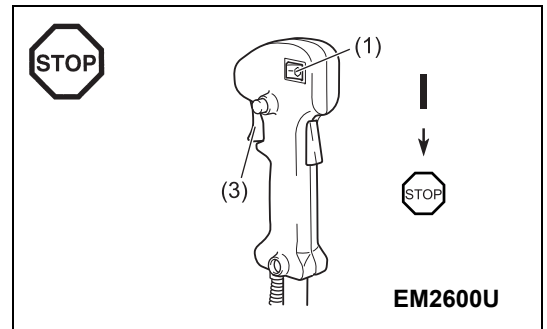
Si le levier d'accélération est complètement ouvert durant un fonctionnement à vide, le régime du moteur augmente à plus de 10 000 min⁻¹. Ne jamais faire tourner le moteur à une vitesse plus élevée que nécessaire, et maintenir le régime à une vitesse d'environ 6 000 à 8 000 min⁻¹.

ATTENTION : Réduisez toujours le régime du moteur lorsque l'appareil n'est pas utilisé pour le travail

L'utilisation de l'appareil à un régime élevé lorsqu'il n'est pas utilisé pour le travail raccourcira sa durée de vie.

Arrêt

- Relâchez entièrement le levier d'accélération (3) et lorsque la vitesse de rotation du moteur a diminué, placez l'interrupteur I-Arrêt (marche/arrêt)/ interrupteur marche/arrêt (1) en position « STOP » pour couper le moteur.
- Attention, il est possible que la tête à fil de nylon ne s'arrête pas immédiatement, laissez-la toujours ralentir jusqu'à ce qu'elle s'arrête.



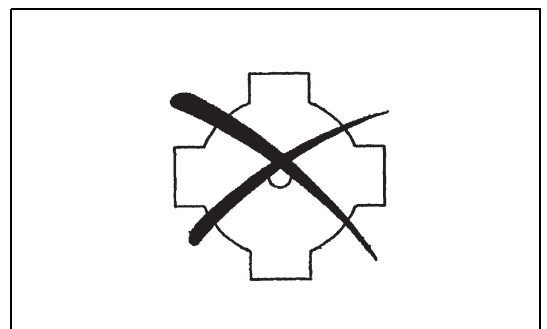
Réaffûtage de l'outil de coupe

ATTENTION : Les outils de coupe répertoriés ci-dessous doivent être réaffûtés uniquement par une installation agréée. Un réaffûtage manuel entraînera des déséquilibres de l'outil de coupe, qui causeront des vibrations et des dommages à l'appareil.

- lame de coupe (lame en étoile (4 dents))

Un réaffûtage professionnel et un service d'équilibrage est fourni par les agents de réparation agréés.

REMARQUE : Pour augmenter la durée de vie de la lame de coupe (lame en étoile) la lame doit être retournée afin de permettre l'usure des deux bords de coupe.



TÊTE À FIL DE NYLON

La tête à fil de nylon est une tête de débroussailluse thermique double fil équipée d'un mécanisme d'avancement automatique.

La tête à fil de nylon fait avancer le fil de nylon lorsque vous tapez la tête de débroussailluse sur le sol.

Fonctionnement

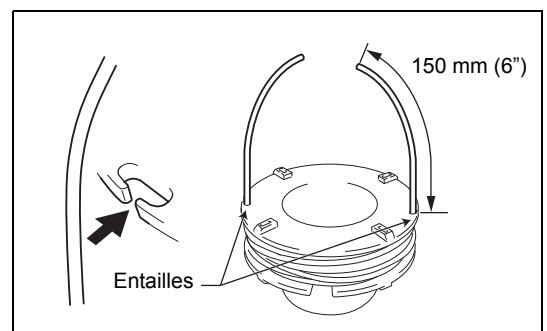
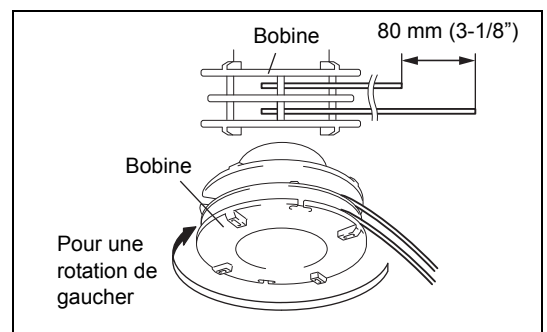
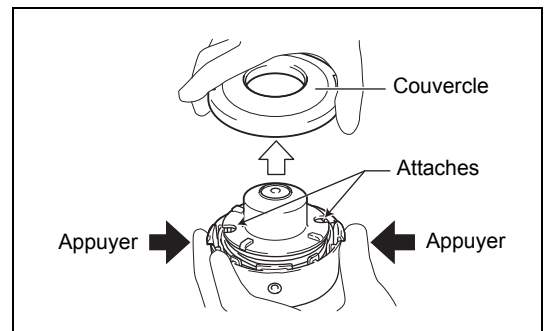
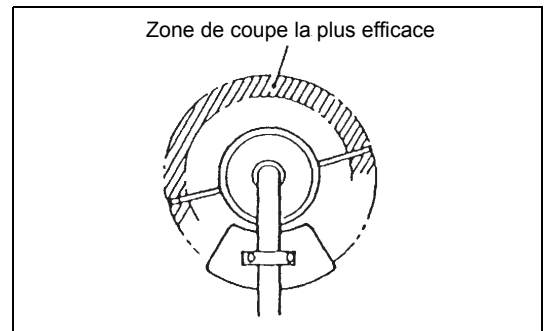
- La zone de coupe la plus efficace est indiquée par la zone ombrée.
- Pour faire avancer le fil de nylon, augmentez la vitesse de la tête à fil de nylon jusqu'à 6 000 min⁻¹ et tapez légèrement la tête à fil de nylon sur le sol.
- Si la tête à fil de nylon ne fait pas avancer le fil lorsque vous la tapez sur le sol, rembobinez/remplacez le fil de nylon en suivant les procédures décrites sous « Remplacement du fil de nylon ».

Remplacement du fil de nylon

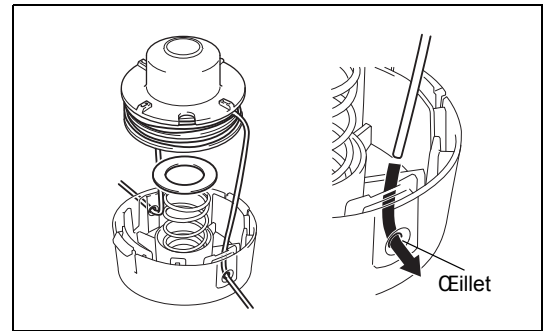
- Arrêtez le moteur.
- Poussez les attaches du boîtier vers l'intérieur pour soulever le couvercle, puis enlevez la bobine.

- Accrochez le centre du nouveau fil de nylon dans l'entaille au centre de la bobine, une extrémité du fil étant plus longue que l'autre d'environ 80 mm. Ensuite débobinez les deux extrémités fermement autour de la bobine dans le sens de la rotation de la tête (le sens vers la gauche est indiqué par LH et le sens vers la droite est indiqué par RH sur le côté de la bobine).

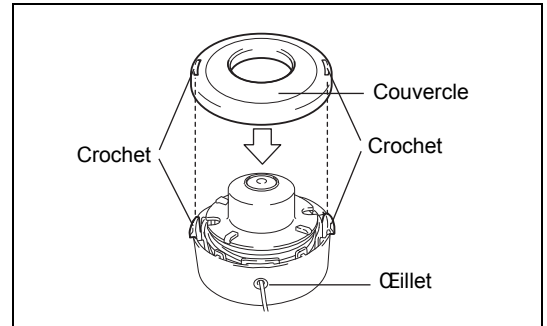
- Embobinez tout sauf environ 150 mm de fil autour de la bobine, en laissant les extrémités temporairement accrochées à travers l'entaille sur le côté de la bobine.



- Glissez les fils à travers les œillets pour qu'ils sortent du boîtier. Installez la rondelle, le ressort et la bobine dans le boîtier.



- Alignez les crochets sur le couvercle et le boîtier. Ensuite, enfoncez à fond le couvercle sur le boîtier pour le mettre bien en place.



Instructions d'entretien

Instructions d'entretien

ATTENTION : Avant d'effectuer un type d'entretien quelconque sur la débroussailleuse thermique, éteignez toujours le moteur et démontez le capuchon de bougie de la bougie (voir « Vérification de la bougie »).

Portez toujours des gants de protection.

ATTENTION : N'enlevez jamais vous-même le lanceur à rappel. Vous pourriez provoquer un accident. Cette procédure doit être effectuée uniquement par un agent d'entretien autorisé.

Afin d'assurer une longue durée de vie et d'éviter d'endommager l'appareil, effectuez régulièrement les opérations de maintenance suivantes.

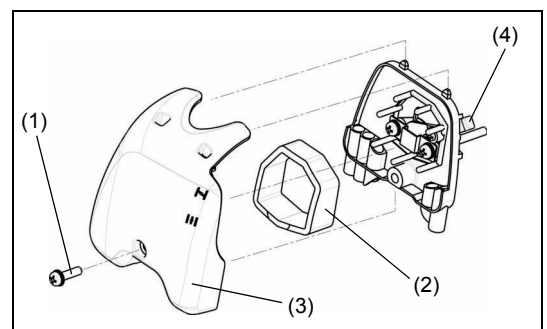
Inspection et maintenance journalière

- Avant l'utilisation, vérifiez s'il ne manque pas de pièces et si les vis ne sont pas desserrées. Faites tout particulièrement attention au serrage de la lame de coupe ou de la tête à fil de nylon.
- Avant l'utilisation, vérifiez toujours que le passage de l'air de refroidissement et les ailettes du cylindre ne sont pas colmatés. Nettoyez-les si nécessaire.
- Effectuez les opérations de maintenance suivantes après l'utilisation :
 - Nettoyez la débroussailleuse thermique extérieurement et vérifiez qu'elle ne comporte aucun dommage.
 - Nettoyez le filtre à air. Nettoyez le filtre à air plusieurs fois par jour quand vous travaillez dans des conditions très poussiéreuses.
 - Vérifiez si la lame ou la tête à fil de nylon sont endommagées et assurez-vous qu'elles sont bien montées.
 - Vérifiez s'il y a une différence suffisante entre les vitesses de fonctionnement et du ralenti pour s'assurer que l'outil de coupe est au repos quand le moteur est au ralenti (si nécessaire, réduisez la vitesse du ralenti).
Si l'outil de coupe continue à tourner quand le moteur est au ralenti, consultez votre agent de réparations agréé le plus proche.
- Vérifiez que l'interrupteur I-Arrêt (marche/arrêt)/interrupteur marche/arrêt, le levier de verrouillage, le levier de manœuvre, et le bouton de verrouillage fonctionnent tous correctement.



Nettoyage du filtre à air (filtre)

- Tournez le levier d'étrangleur (4) vers le côté complètement fermé et gardez le carburateur éloigné de toute poussière ou saleté.
- Retirez la vis (1).
- Retirez le couvercle du filtre à air (3).
- Retirez l'élément en éponge (2), lavez-le dans de l'eau savonneuse tiède et séchez-le complètement.
- Après le nettoyage, remontez le couvercle du filtre à air (3) et attachez-le avec la vis (1).

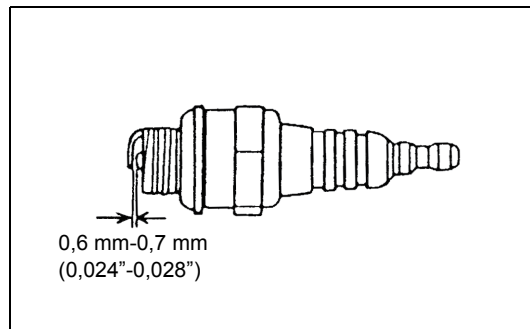


REMARQUE : En cas de poussière ou saleté excessive collée au filtre à air, nettoyez-le tous les jours. Un filtre à air encrassé peut rendre difficile, voire impossible le démarrage du moteur, ou bien augmenter le régime du moteur.

Vérification de la bougie

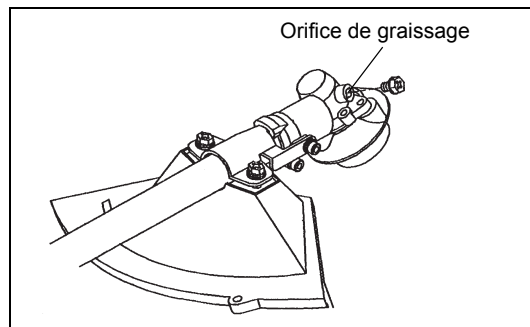
- N'utilisez que la clé universelle fournie pour retirer ou installer la bougie.
- L'écartement entre les deux électrodes de la bougie doit être compris entre 0,6 et 0,7 mm. Réglez l'écartement s'il est trop large ou trop étroit. Si la bougie est bouchée par du carbone ou encrassée, nettoyez-la complètement ou remplacez-la.

ATTENTION : Ne touchez jamais le connecteur de la bougie lorsque le moteur est en marche (danger de choc électrique haute tension).



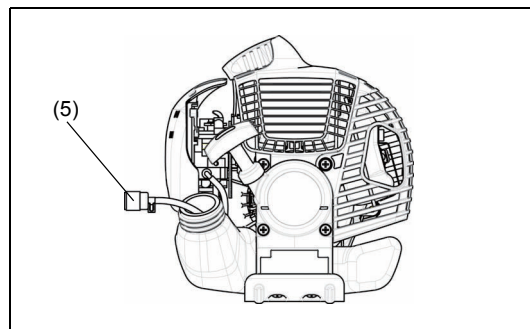
Mettez de la graisse dans la boîte d'engrenage

- Mettez de la graisse (Shell Alvania 2 ou équivalent) dans la boîte d'engrenage à travers l'orifice de graissage toutes les 30 heures. (Vous pouvez acheter de la graisse d'origine MAKITA chez votre revendeur MAKITA.)



Crépine d'aspiration dans le réservoir de carburant

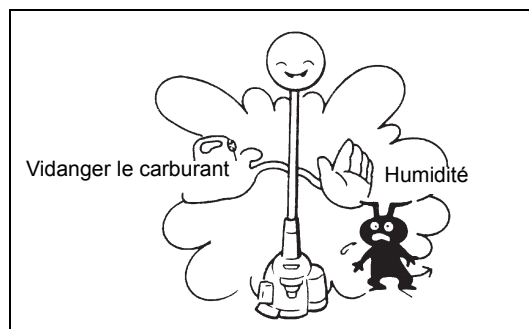
- Le filtre de carburant (5) de la crépine d'aspiration est utilisé pour alimenter le carburant requis par le carburateur.
- Vérifiez visuellement le filtre de carburant et ce régulièrement. Pour inspecter le filtre, dévissez le bouchon de réservoir de carburant, utilisez un crochet à fil et retirez la crépine d'aspiration à travers l'orifice du réservoir. Remplacez le filtre s'il a durci, ou est devenu particulièrement sale ou encrassé.
- Une alimentation en carburant insuffisante peut entraîner un dépassement de la vitesse maximum autorisée. En conséquence, le filtre de carburant doit être remplacé au moins trimestriellement afin d'assurer une alimentation en carburant satisfaisante au carburateur.



Tout autre type d'entretien ou travail de réglage qui n'est pas décrit dans ce manuel ne peut être effectué que par des agents de réparations agréés.

Entreposage

- Lorsque vous entreposez l'appareil pendant une longue période, vidangez tout le carburant du réservoir et du carburateur. Pour ce faire, vidangez simplement tout le carburant du réservoir. L'élimination de tout le carburant vidangé doit se faire en conformité avec les lois municipales en vigueur.
- Démontez la bougie et ajoutez quelques gouttes d'huile dans l'orifice de la bougie. Ensuite, tirez doucement le démarreur de sorte que l'huile lubrifie l'intérieur du moteur, puis serrez la bougie.
- Nettoyez toute saleté ou poussière de la lame de coupe et l'extérieur du moteur, et essuyez avec un chiffon imbibé d'huile. Entreposez l'appareil dans un endroit sec.



Programme d'entretien

Général	Assemblage du moteur, vis et écrous	Inspection visuelle à la recherche de dommages et serrage Vérifiez l'état général et la sécurité
Après chaque plein	Lever de manœuvre Interrupteur I-Arrêt (marche/arrêt)/ interrupteur marche/arrêt	Vérifier le fonctionnement Vérifier le fonctionnement
Tous les jours	Filtre à air Conduite d'air de refroidissement Outil de coupe Ralenti	Doit être nettoyé Doit être nettoyé Vérifiez l'absence de dommage et l'affûtage Inspection (l'outil de coupe ne doit pas bouger)
Toutes les semaines	Bougie d'allumage Silencieux	Inspection, remplacez si nécessaire Inspectez, et nettoyez l'ouverture si nécessaire
Tous les trimestres	Crépine d'aspiration Réservoir de carburant	Doit être remplacé Doit être nettoyé
Procédure de mise hors service	Réservoir de carburant Carburateur	Videz le réservoir de carburant Utilisez jusqu'à ce que le moteur tombe en panne de carburant

Dépannage

Panne	Système	Observation	Cause
Si le moteur ne démarre pas ou est difficile à démarrer	Système d'allumage	Étincelle d'allumage O.K.	Panne de l'alimentation en carburant ou du système de compression, panne mécanique
		Pas d'étincelle d'allumage	Interrupteur I-Arrêt (marche/arrêt)/interrupteur marche/arrêt commandé, panne de câblage ou court-circuit, bougie ou connecteur défectueux, module d'allumage défectueux
	Alimentation en carburant	Réservoir de carburant plein	Position incorrecte de l'étrangleur, carburateur défectueux, ligne d'alimentation en carburant courbée ou bloquée, carburant encrassé
	Compression	Pas de compression lors de la mise en route	Joint inférieur du cylindre défectueux, joints d'étanchéité du vilebrequin endommagés, cylindre ou segments de piston défectueux ou mauvaise étanchéité de la bougie
Problèmes de démarrage à chaud	Panne mécanique	Le démarreur ne s'enclenche pas	Ressort du démarreur cassé, pièces cassées à l'intérieur du moteur
	Alimentation en carburant	Réservoir rempli. Étincelle d'allumage O.K.	Carburateur contaminé, qui doit être nettoyé
Le moteur démarre mais s'éteint		Alimentation en carburant	Réservoir rempli
	Évent du réservoir de carburant défectueux, tuyau d'alimentation en carburant interrompu, câble ou interrupteur I-Arrêt (marche/arrêt)/interrupteur marche/arrêt défectueux		
Performances insuffisantes	Plusieurs systèmes peuvent être affectés simultanément	Mauvais ralenti du moteur	Filtre à air contaminé, carburateur contaminé, silencieux bouché, conduit d'échappement du cylindre bouché

Herzlichen Glückwunsch, dass Sie sich für den Kauf einer Motorsense/eines Motor Rasentrimmers von MAKITA entschieden haben. Motorsensen/Motor Rasentrimmer von MAKITA sind das Ergebnis unserer jahrelangen Erkenntnisse, Erfahrungen und eines detaillierten Entwicklungsprogramms. Lesen Sie diese Gebrauchsanweisung aufmerksam durch, damit Sie die bestmögliche Leistung und außergewöhnliche Ergebnisse erreichen, die Ihnen die Motorsensen/Motor Rasentrimmer von MAKITA bieten können.



Inhaltsverzeichnis	Seite
Symbole	38
Sicherheitsanweisungen	39
Technische Daten	43
Bezeichnung der Bauteile	44
Montieren des Griffs.....	45
Montieren des Schutzes.....	46
Montieren des Schneidblattes/ des Fadenkopfes	47
Kraftstoff/Betanken	48
Korrektur Umgang.....	49
Wichtige Betriebsschritte/Stoppen der Sense/ des Trimmers	49
Schärfen des Schneidwerkzeugs.....	51
Wartungsanweisungen.....	53
Aufbewahrung.....	55

Symbole

Beachten Sie beim Lesen der Gebrauchsanleitung die folgenden Symbole.

	Betriebsanleitung lesen		Augen- und Gehörschutz tragen (nur für den Motor Rasentrimmer)
	Besondere Aufmerksamkeit erforderlich		Tragen Sie Schutzhelm, Schutzbrille und Gehörschutz (nur für die Motorsense)
	Verboten		Kein Schneidblättern aus Metall verwenden (nur für den Motor Rasentrimmer)
	Halten Sie einen Abstand ein.		Maximal zulässige Werkzeugdrehzahl
	Gefahr durch herumfliegende Gegenstände		Heiße Flächen - Verbrennungsgefahr für Finger oder Hände
	Rauchverbot		Kraftstoff-Öl-Gemisch
	Umgang mit offenen Flammen verboten		Manueller Motorstart
	Schutzhandschuhe tragen		Not-Aus
	Rückschlag		Erste Hilfe
	Im Arbeitsbereich dürfen sich weder Personen noch Tiere aufhalten.		EIN/START
	Festes Schuhwerk mit rutschfesten Sohlen tragen. Empfohlen werden Arbeitsschutzschuhe mit Stahlkappen.		AUS/STOPP
			START

Sicherheitsanweisungen

Allgemeine Sicherheitsregeln

- Für die Sicherstellung eines ordnungsgemäßen Betriebs müssen Sie diese Betriebsanleitung durchlesen und vollständig verstanden haben, damit Sie mit der Verwendung der Motorsense/des Motor Rasentrimmers vertraut sind. Die Verwendung des Motorgeräts, ohne die Handhabung richtig verstanden zu haben, kann bei Ihnen und anderen Personen zu schweren Verletzungen führen.
- Verleihen Sie die Motorsense/den Motor Rasentrimmer nur an Personen, die über Erfahrungen im Umgang mit Motorsensen/Motor Rasentrimmern verfügen. Verleihen Sie das Motorgerät nur zusammen mit dieser Betriebsanleitung.
- Falls Sie erstmalig ein motorbetriebenes Schneidwerkzeug bedienen, wenden Sie sich an Ihren Händler, um grundlegende Anweisungen zu erhalten.
- Kindern und Jugendlichen unter 18 Jahren ist die Bedienung der Motorsense/des Motor Rasentrimmers untersagt. Personen über 16 Jahren dürfen das Gerät für Übungszwecke verwenden, jedoch nur unter Aufsicht eines qualifizierten Anleiters.
- Verwenden Sie die Motorsense/den Motor Rasentrimmer stets mit größtmöglicher Sorgfalt.
- Betreiben Sie die Motorsense/den Motor Rasentrimmer nur, wenn Sie in guter physischer Verfassung sind. Führen Sie alle Arbeiten ruhig und mit Vorsicht aus. Der Benutzer ist dafür verantwortlich, was um ihn herum passiert.
- Betreiben Sie die Motorsense/den Motor Rasentrimmer nie nach dem Genuss von Alkohol oder nach der Einnahme von Medikamenten oder wenn Sie müde oder krank sind.

WARNUNG: Während des Betriebs erzeugt dieses Gerät ein elektromagnetisches Feld. Unter bestimmten Umständen kann dieses Feld Auswirkungen auf aktive oder passive medizinische Implantate haben. Zur Vermeidung der Gefahr ernsthafter oder tödlicher Verletzungen empfehlen wir Personen mit medizinischen Implantaten, sich vor der Bedienung dieses Geräts an einen Arzt oder den Hersteller des medizinischen Implantats zu wenden.

Verwendungszweck des Geräts

- Die Motorsense/der Motor Rasentrimmer ist nur zum Schneiden von Gras, Unkraut, Büschen und Gestrüpp bestimmt, und darf nicht für andere Zwecke verwendet werden, beispielsweise zum Abkanten oder Heckeschneiden, da dies zu Verletzungen führen kann.

Persönliche Schutzausrüstung

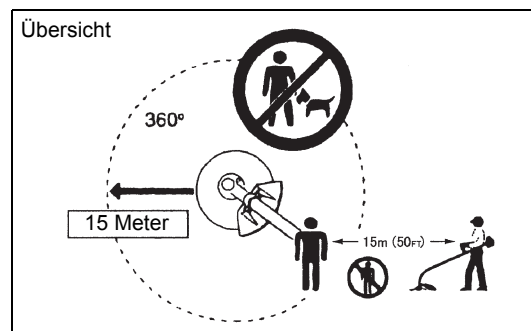
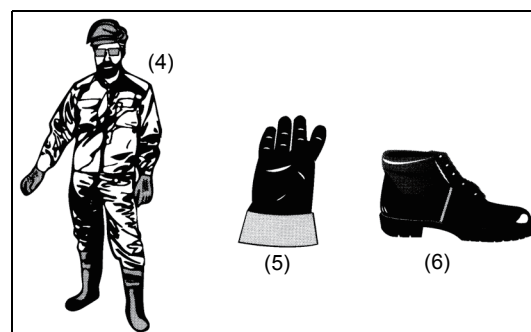
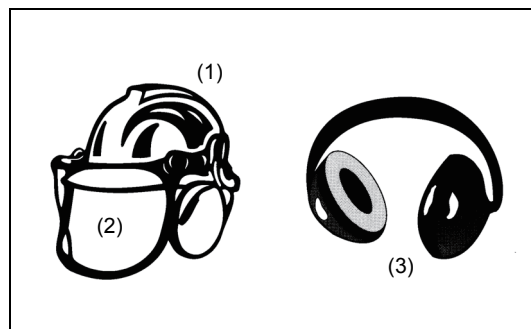
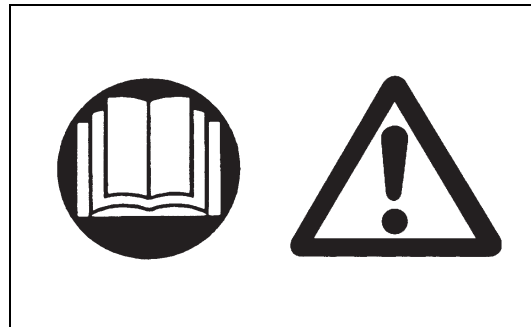
- Tragen Sie Kleidung, die sowohl praktisch, als auch für Ihre Arbeit geeignet ist, d.h. eng anliegende, jedoch für die Bewegung nicht zu enge Kleidung. Tragen Sie keinen Schmuck und keine Kleidung, der/die sich in Büschen oder Gestrüpp verfangen könnte.
- Um Verletzungen des Gehörs, der Augen, Hände und Füße zu vermeiden, aber auch um Ihre Hörleistung während des Betriebs zu schützen, müssen Sie während der Bedienung der Motorsense/des Motor Rasentrimmers die folgenden Schutzmaßnahmen oder Schutzkleidungen tragen.
- Tragen Sie stets einen Helm, wenn die Gefahr herabfallender Gegenstände besteht. Der Schutzhelm (1) muss regelmäßig auf Beschädigungen überprüft und spätestens nach jeweils 5 Jahren durch einen neuen Helm ersetzt werden. Verwenden Sie ausschließlich zugelassene Schutzhelme.
- Das Visier (2) des Helms (oder alternativ eine Schutzbrille) schützt das Gesicht vor herumfliegenden Bruchstücken und Steinen. Tragen Sie während des Betriebs der Motorsense/des Motor Rasentrimmers eine Schutzbrille oder ein Visier, um Verletzungen der Augen zu vermeiden.
- Tragen Sie einen angemessenen Gehörschutz, um eine Schädigung des Gehörs zu vermeiden (Gehörschutzkapseln (3), Gehörschutzstöpsel usw.).
- Arbeitsanzüge (4) schützen gegen herumfliegende Steine und Fremdkörper. Wir empfehlen sehr, Arbeitsanzüge zu tragen.
- Spezielle Handschuhe (5) aus dickem Leder sind Bestandteil der vorgeschriebenen Ausrüstung und müssen beim Betrieb der Motorsense/des Motor Rasentrimmers stets getragen werden.
- Tragen Sie bei Betrieb der Motorsense/des Motor Rasentrimmers stets feste Schuhe (6) mit einer rutschfesten Sohle. Solche Schuhe schützen gegen Verletzungen und gewährleisten eine gute Standsicherheit.

Restrisiko

- Selbst wenn das Gerät vorschriftsmäßig verwendet wird, ist es nicht möglich, alle Restrisikofaktoren vollständig auszuschließen. Die folgenden Gefahren können durch die Beschaffenheit und Konstruktion des Geräts auftreten:
 1. Lungenschäden, falls keine wirksame Staubmaske getragen wird.
 2. Gehörschäden, falls kein wirksamer Gehörschutz getragen wird.
 3. Durch Vibration hervorgerufene Gesundheitsschäden, falls das Gerät über einen längeren Zeitraum verwendet wird oder wenn es nicht ordnungsgemäß gehandhabt und nicht richtig gewartet wird.

Starten der Motorsense

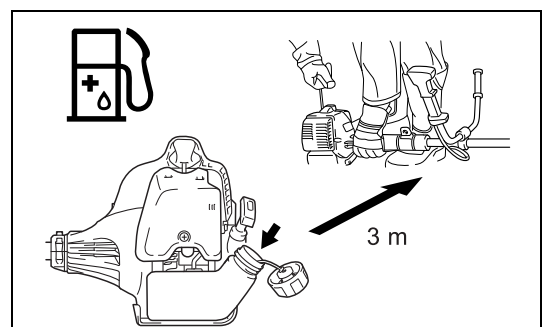
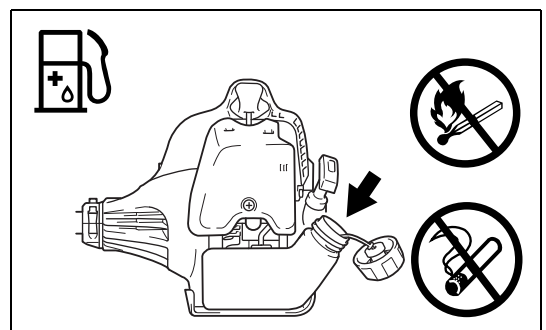
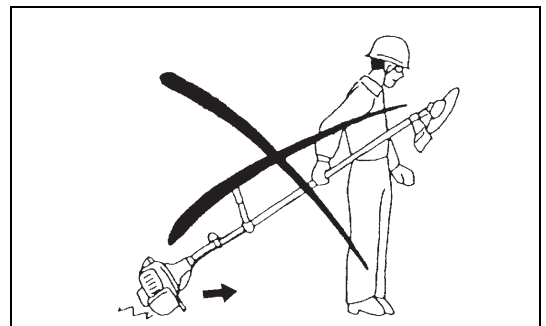
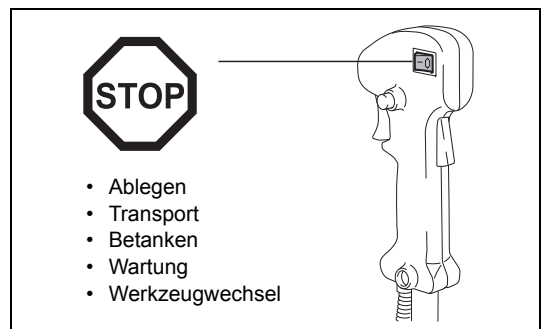
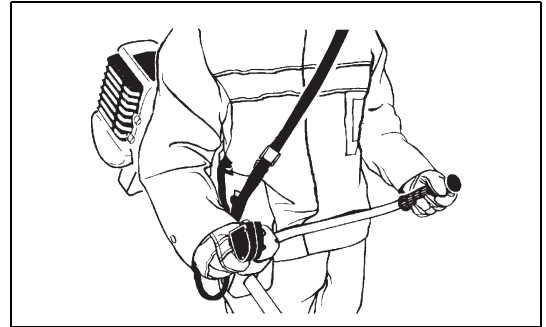
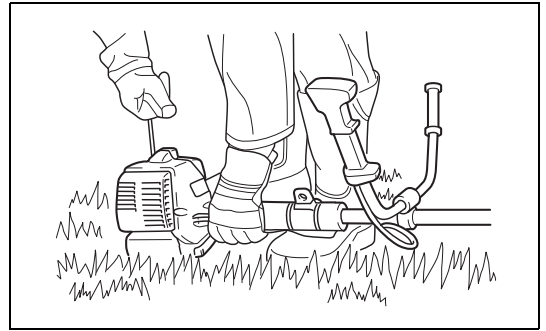
- Vergewissern Sie sich, dass sich in einem Arbeitsbereich von 15 m keine Kinder oder andere Personen aufhalten. Achten Sie außerdem auf Tiere im Arbeitsbereich.
- Überprüfen Sie vor der Verwendung stets den sicheren Betrieb der Motorsense/des Motor Rasentrimmers. Überprüfen Sie, dass das Schneidwerkzeug gesichert ist, dass der Gashebel leicht bedient werden kann, und dass die Sperre des Gashebel ordnungsgemäß funktioniert.
- Das Drehen des Schneidwerkzeugs im Leerlauf ist verboten. Prüfen Sie mit Ihrem Händler, ob das Werkzeug eingestellt werden muss. Stellen Sie sicher, dass die Griffe sauber und trocken sind und dass der Start-/Stoppsschalter ordnungsgemäß funktioniert.



- Starten Sie die Motorsense/den Motor Rasentrimmer immer nur gemäß der Anleitungen. Starten Sie den Motor auf keine andere Weise!
- Verwenden Sie die Motorsense/den Motor Rasentrimmer und die Werkzeuge nur für die angegebenen Zwecke.
- Starten Sie den Motor der Motorsense/des Motor Rasentrimmers nur nach der vollständigen Montage des Werkzeugs. Betreiben Sie das Werkzeug nur nach der Montage des gesamten geeigneten Zubehörs!
- Überprüfen Sie vor dem Starten, dass das Schneidwerkzeug keine harten Gegenstände (Geäst, Steine usw.) berührt, da sich das Schneidwerkzeug beim Starten dreht.
- Schalten Sie den Motor sofort aus, wenn irgendwelche Motorprobleme auftreten.
- Sollte das Schneidwerkzeug Steine oder andere harte Gegenstände treffen, schalten Sie sofort den Motor aus und überprüfen Sie das Schneidwerkzeug.
- Überprüfen Sie das Schneidwerkzeug in regelmäßigen, kurzen Intervallen (Prüfen Sie mit einem Klopfest auf Haarrisse).
- Betreiben Sie die Motorsense/den Motor Rasentrimmer nur nach Anbringen und Anpassen des Schultergurt auf die richtige Länge. Der Schultergurt muss auf die Körpergröße des Benutzers angepasst und festgezogen werden, um ein Ermüden während des Betriebs des Werkzeugs zu verhindern. Halten Sie die Sense niemals während des Betriebs mit nur einer Hand.
- Halten Sie die Motorsense/den Motor Rasentrimmer während des Betriebs stets mit beiden Händen. Sorgen Sie immer für eine gute Standsicherheit.
- Betreiben Sie die Motorsense/den Motor Rasentrimmer stets so, dass Sie die Abgase nicht einatmen. Betreiben Sie den Motor niemals in einem abgeschlossenen Raum (Risiko einer Gasvergiftung). Kohlenmonoxid ist ein geruchloses Gas.
- Schalten Sie den Motor immer aus, wenn Sie das Werkzeug ablegen, oder wenn Sie die Motorsense/den Motor Rasentrimmer unbeaufsichtigt lassen und lagern Sie es immer an einem sicheren Ort, um Verletzungen anderer Personen und Beschädigungen des Werkzeugs zu vermeiden.
- Legen Sie das heiße Werkzeug niemals in trockenes Gras oder auf andere entflammable Materialien.
- Das Schneidwerkzeug muss immer mit dem entsprechenden Schutz versehen werden. Betreiben Sie das Werkzeug niemals ohne diesen Schutz.
- Während des Betriebs müssen alle mit dem Werkzeug gelieferten Schutzvorrichtungen und Abdeckungen verwendet werden.
- Betreiben Sie den Motor niemals mit beschädigtem Abluftschalldämpfer.
- Schalten Sie vor einem Transport den Motor aus.
- Bringen Sie vor dem Transportieren des Werkzeugs stets die Abdeckung am Schneidblatt an.
- Stellen Sie sicher, dass die Motorsense/der Motor Rasentrimmer sicher gelagert wird, um ein Auslaufen des Kraftstoffs während des Transports zu vermeiden.
- Stellen Sie während des Transports der Motorsense/des Motor Rasentrimmers sicher, dass der Kraftstofftank völlig leer ist.
- Lassen Sie beim Abladen der Motorsense/des Motor Rasentrimmers von einem Transporter oder einem anderen Fahrzeug niemals den Motor fallen, da sonst der Tank ernstlich beschädigt werden kann.
- Lassen Sie die Motorsense/den Motor Rasentrimmer nur in einem Notfall fallen, da sonst die Motorsense/der Motor Rasentrimmer ernstlich beschädigt werden können.
- Heben Sie beim Bewegen immer das gesamte Werkzeug vom Boden an. Das Ziehen des Werkzeugs am Kraftstofftank ist extrem gefährlich und kann zum Auslaufen des Kraftstoffs und somit zu einem Brand führen.
- Wenn das Werkzeug einem starken Stoß ausgesetzt wurde oder heruntergefallen ist, überprüfen Sie den Zustand des Werkzeugs, bevor Sie die Arbeiten fortsetzen. Überprüfen Sie das Kraftstoffsystem auf Leckagen und die Bedienelemente und Sicherheitseinrichtungen auf Fehlfunktionen. Wenn Sie einen Schaden bemerken oder sich nicht sicher sind, wenden Sie sich zur Inspektion und Reparatur an unser autorisiertes Servicecenter.

Betanken

- Schalten Sie während des Betankens den Motor aus, halten Sie den Motor von offenen Flammen fern und rauchen Sie während des Betankens nicht.
- Stellen Sie sicher, dass Mineralölerzeugnisse nicht in Kontakt mit Ihrer Haut kommen. Atmen Sie den Kraftstoffdampf nicht ein. Tragen Sie zum Betanken immer Schutzhandschuhe. Wechseln und reinigen Sie Schutzkleidung regelmäßig.
- Stellen Sie zur Vermeidung einer Kontaminierung des Erdbodens (Umweltschutz) sicher, dass weder Kraftstoff noch Öl in das Erdreich eindringt. Falls etwas Kraftstoff ausläuft, reinigen Sie die Motorsense/den Motor Rasentrimmer sofort.
- Stellen Sie sicher, dass Ihre Kleidung nicht in Kontakt mit dem Kraftstoff kommt. Falls Ihre Kleidung in Kontakt mit Kraftstoff kommt, wechseln Sie die Kleidung sofort, um einen Brand zu verhindern.
- Überprüfen Sie den Tankdeckel regelmäßig, damit dieser sicher festgeschraubt werden kann und kein Kraftstoff ausläuft.
- Schrauben Sie den Tankdeckel ordnungsgemäß fest. Entfernen Sie sich von dem Ort des Betankens mindesten 3 m, bevor Sie den Motor starten.



- Nehmen Sie das Betanken niemals in einem geschlossenen Raum vor. Andernfalls kann eine Explosion aufgrund der Ansammlung von Kraftstoffdampf auf dem Boden verursacht werden.
- Transportieren und lagern Sie Kraftstoff ausschließlich in dafür zugelassenen Behältern. Stellen Sie sicher, dass Kinder keinen Zugang zu dem gelagerten Kraftstoff haben.

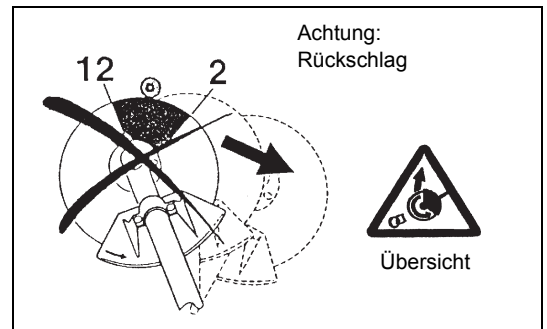
Handhabung

- Verwenden Sie die Motorsense/den Motor Rasentrimmer nur bei guten Lichtverhältnissen und guter Sicht. Achten Sie im Winter auf rutschige oder nasse Bereiche, z.B. auf vereiste oder schneebedeckte Flächen (Rutschgefahr). Sorgen Sie immer für eine gute Standsicherheit.
- Schneiden Sie niemals über Hüfthöhe.
- Betreiben Sie die Motorsense/den Motor Rasentrimmer niemals, wenn Sie auf einer Leiter stehen.
- Betreiben Sie die Motorsense/den Motor Rasentrimmer niemals, wenn Sie auf einen Baum geklettert sind.
- Arbeiten Sie niemals auf nicht stabilen Flächen.
- Entfernen Sie Sand, Steine, Nägel usw. aus dem Arbeitsbereich. Fremdkörper können das Schneidwerkzeug beschädigen und so gefährliche Rückschläge verursachen.
- Vergewissern Sie sich vor Beginn des Schnitts, dass das Schneidwerkzeug die volle Arbeitsdrehzahl erreicht hat.
- Falls sich Gras oder Äste zwischen dem Schneidwerkzeug und dem Schutz verfangen, stoppen Sie vor dem Reinigen stets den Motor. Andernfalls kann eine unbeabsichtigte Drehung des Blattes schwere Verletzungen verursachen.
- Legen Sie regelmäßig Pausen ein, damit es nicht zu einem Kontrollverlust aufgrund von Ermüdungserscheinungen kommt. Wir empfehlen, jede Stunde eine Pause von 10 bis 20 Minuten einzulegen.



Rückschlag (Kickback)

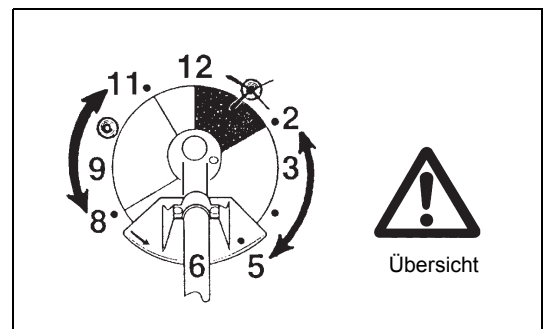
- Während des Betriebs der Motorsense können unkontrollierte Rückschläge auftreten.
- Rückschläge treten häufig auf, wenn Sie im Blattabschnitt zwischen der 12 und 2 Uhr-Position schneiden.
- Wenden Sie niemals den Blattabschnitt der Motorsense zwischen der 12 und 2 Uhr-Position an.
- Wenden Sie diesen Bereich des Motorsensenblattes niemals an festen Gegenständen (Büsche oder Bäume usw.) mit einem Durchmesser von mehr als 3 cm an. Andernfalls wird die Motorsense mit großer Kraft abgelenkt, was sehr gefährlich ist und zu Verletzungen führen kann.



Vermeiden von Rückschlägen

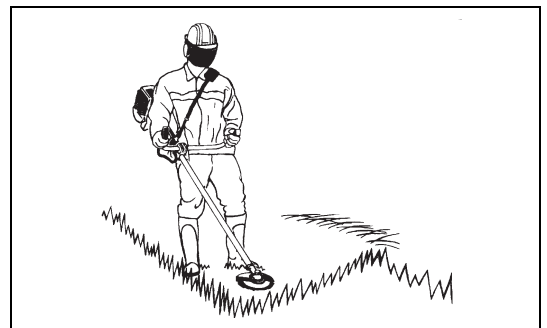
Beachten Sie Folgendes, um Rückschläge zu vermeiden:

- Das Arbeiten im Schneidblattbereich zwischen der 12 und 2 Uhr-Position ist extrem gefährlich, besonders bei Verwendung von Metallschneiden.
- Schnittarbeiten im Schneidblattbereich zwischen der 11 und 12 Uhr-Position sowie zwischen der 2 und 5 Uhr-Position dürfen nur durch einen geschulten und erfahrenen Bediener und dann nur auf eigenes Risiko durchgeführt werden. Der optimale Bereich für ein leichtes Schneiden mit fast keinen Rückschlägen ist zwischen 8 und 11 einer Uhr des Schneidblattes.



Schneidwerkzeuge

- Verwenden Sie ein passendes Schneidwerkzeug für die zu erledigenden Arbeiten. Fadenköpfe (Rasentrimmer-Köpfe) sind zum Trimmen von Gras geeignet. Schneidblätter aus Metall eignen sich zum Schneiden von Unkraut, hohem Gras, Gebüsch, Sträuchern, Unterholz, Gestrüpp u.ä. Verwenden Sie niemals andere Blätter, auch keine metallischen, mehrteiligen Pivotketten und Schlegelmesser. Andernfalls kann es zu schweren Verletzungen kommen.
- Vermeiden Sie „Rückschläge“ bei der Verwendung von Schneidblättern aus Metall und seien Sie immer auf einen plötzlichen Rückschlag gefasst. Beachten Sie den Abschnitt „Rückschlag“ und „Vermeiden von Rückschlägen.“



Wartungsanweisungen

- Lassen Sie Ihr Werkzeug durch unser autorisiertes Servicecenter warten. Verwenden Sie stets nur originale Ersatzteile. Unsachgemäße Reparatur- und Wartungsarbeiten können die Lebenszeit des Werkzeugs verkürzen und das Unfallrisiko erhöhen.
- Überprüfen Sie immer den Zustand des Schneidmessers, vor allem auch der Schutzvorrichtungen und des Schultergurtes, bevor Sie mit der Arbeit anfangen. Achten Sie besonders auf ordnungsgemäß geschärfte Schneidblätter.
- Schalten Sie den Motor aus und entfernen Sie den Zündkerzenstecker, wenn Sie das Schneidwerkzeug austauschen oder schärfen, aber auch wenn Sie die Sense oder das Schneidwerkzeug reinigen.

Beschädigte Schneidwerkzeuge dürfen auf keinen Fall begradigt oder geschweißt werden.

- Betreiben Sie die Motorsense/den Motor Rasentrimmer mit möglichst geringer Geräusch- und Abgasentwicklung, und verursachen Sie möglichst keine Verschmutzungen der Umwelt. Überprüfen Sie vor allem, dass der Vergaser richtig eingestellt ist.
- Reinigen Sie die Motorsense/den Motor Rasentrimmer regelmäßig und stellen Sie sicher, dass alle Schrauben und Muttern fest angezogen sind.
- Warten oder lagern Sie die Motorsense/den Motor Rasentrimmer niemals in der Nähe offener Flammen.
- Lagern Sie die Motorsense/den Motor Rasentrimmer in verschlossenen Räumen und mit leerem Tank.
- Bringen Sie vor dem Reinigen, Warten und Einlagern des Werkzeugs stets die Abdeckung am Schneidblatt an.

Beachten Sie die relevanten Anweisungen zur Verhinderung von Unfällen, die von den entsprechenden Handelsorganisationen und Versicherungsunternehmen herausgegeben werden. Führen Sie keine Veränderungen an der Motorsense/an dem Motor Rasentrimmer durch, da Sie sonst Ihre Sicherheit gefährden.

Der Bediener darf nur die in dieser Betriebsanleitung beschriebenen Wartungs- und Reparaturarbeiten durchführen. Alle anderen Arbeiten müssen von autorisiertem Wartungspersonal durchgeführt werden. Verwenden Sie ausschließlich originale Ersatz- und Zubehörteile, die von MAKITA freigegeben und geliefert wurden.

Die Verwendung nicht genehmigter Zubehörteile und Werkzeuge führt zu einem erhöhten Unfallrisiko.

MAKITA übernimmt keine Haftung für Unfälle oder Schäden, die durch die Verwendung nicht genehmigter Schneidwerkzeuge, Befestigungen der Schneidwerkzeuge und Zubehörteile verursacht werden.

Erste Hilfe

Stellen Sie für den Fall eines Unfalls sicher, dass ein Erste-Hilfe-Kasten in der Nähe des Schnittbetriebs verfügbar ist. Ersetzen Sie aus dem Erste-Hilfe-Kasten entnommene Materialien sofort.

Machen Sie folgende Angaben, wenn Sie Hilfe anfordern:

- Ort des Unfalls
- Was ist passiert
- Anzahl der verletzten Personen
- Art der Verletzungen
- Ihr Name

Schwingung

- Wenn sich Personen mit Durchblutungsstörungen zu starken mechanischen Schwingungen aussetzen, kann es zu Schädigungen von Blutgefäßen und/oder des Nervensystems kommen. Folgende Symptome können durch Vibrationen an Fingern, Händen oder Handgelenken auftreten: „Einschlafen“ von Körperteilen (Taubheit), Kribbeln, Schmerz, Stechen, Veränderung von Hautfarbe oder Haut. Falls eines dieser Symptome auftritt, suchen Sie einen Arzt auf!
- Um das Risiko der „Weißfingerkrankheit“ zu verringern, halten Sie Ihre Hände während des Arbeitens warm und warten und pflegen Sie Maschine und Zubehörteile gut.



Nur für europäische Länder

EG-Konformitätserklärung

Wir, Makita Corporation als verantwortlicher Hersteller, erklären, dass die folgenden Geräte der Marke Makita:

Bezeichnung des Geräts/der Geräte: Motorsense/Motor Rasentrimmer

Nummer/Typ des Modells: EM2600U, EM2600L

Technische Daten: siehe Tabelle „TECHNISCHE DATEN“

in Serienfertigung hergestellt werden und

den folgenden Richtlinien der Europäischen Union genügen:

2000/14/EG, 2006/42/EG, 2004/108/EG

Außerdem werden die Maschinen gemäß den folgenden Standards oder Normen gefertigt:

EN ISO 11806-1, EN ISO 14982

Die technische Dokumentation erfolgt durch:

Makita International Europe Ltd., Technical Department,
Michigan Drive, Tongwell, Milton Keynes, Bucks MK15 8JD, England

Das Verfahren zur Konformitätsbewertung, vorgesehen in 2000/14/EG, erfolgte in Übereinstimmung mit Anhang V.

Gemessener Schalleistungspegel (als ein Rasentrimmer): 109,77 dB

Gemessener Schalleistungspegel (als Motorsense): 107,29 dB

Garantierter Schalleistungspegel: 112 dB

15. 4. 2013

A handwritten signature in black ink, appearing to read 'Tomoyasu Kato'.

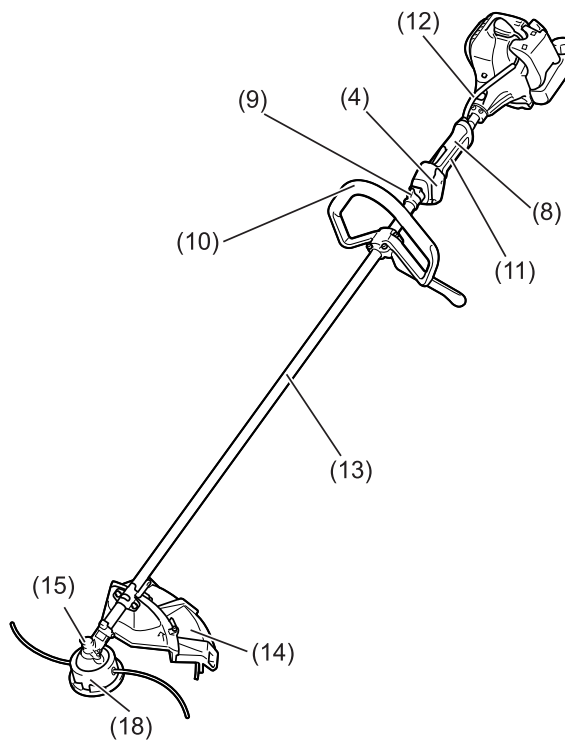
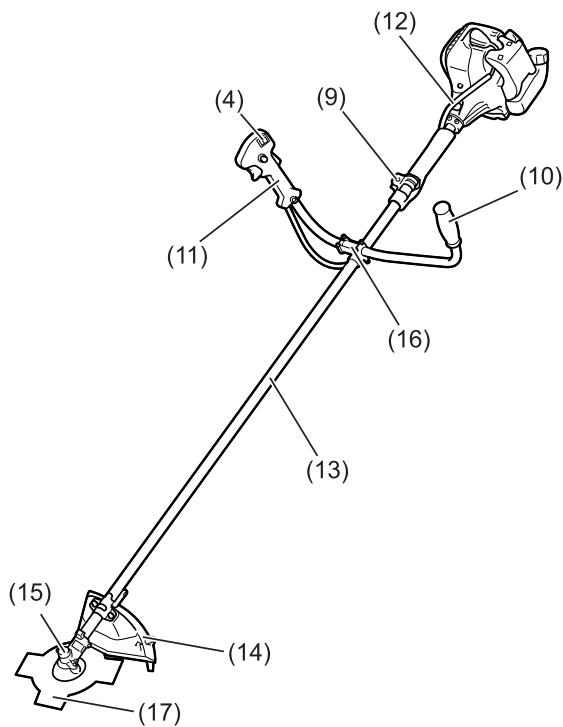
Tomoyasu Kato
Direktor
Makita Corporation
3-11-8, Sumiyoshi-cho,
Anjo, Aichi, JAPAN

Technische Daten

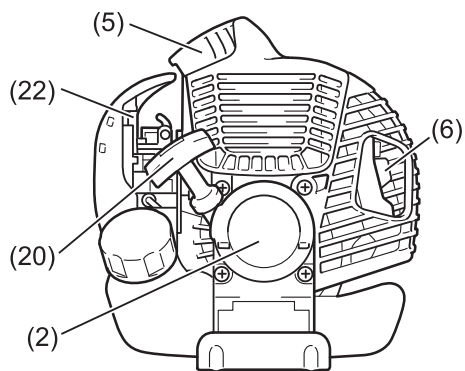
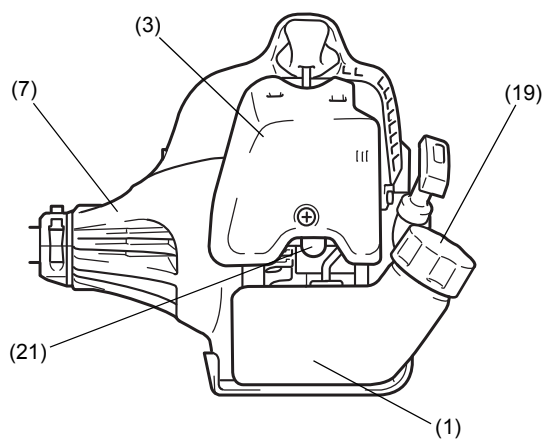
Modell		EM2600U	EM2600L
		U-Griff	Bügelgriff
Abmessungen: Länge x Breite x Höhe (ohne Schneidblatt)		1.770 x 610 x 410 mm	1.770 x 330 x 185 mm
Nettogewicht		5 kg	5 kg
Motor-Hubraum		25,7 cm ³	
Maximale Motorleistung		0,83 kW	
Maximale Drehzahl der Welle		8.800 min ⁻¹	
Schneidwerkzeug	Einteiliges Schneidblatt aus Metall	φ230 mm	
	Rasentrimmer-Kopf	φ430 mm	
Leerlaufdrehzahl		3.000 U/min	
Drehzahl Kupplungseingriff		4.100 U/min	
Übersetzung Getriebe		14/19	
Kraftstoff		Ottokraftstoff-Öl-Gemisch Ottokraftstoff: 2-Takt-Motoröl = 50 : 1	
Fassungsvermögen (Kraftstofftank)		0,6 l	
Vergaser		WALBRO WYC	
Zündkerze		NGK BPMR7A	
Elektrodenabstand		0,6 bis 0,7 mm	
Schwingung: (Für Motorsense)	Linker Handgriff (vorderer Griff)	14,680 m/s ² K = 1,5 m/s ²	5,152 m/s ² K = 1,5 m/s ²
	Rechter Handgriff (hinterer Griff)	9,037 m/s ² K = 1,5 m/s ²	9,677 m/s ² K = 1,5 m/s ²
Schwingung: (Für Rasentrimmer)	Linker Handgriff (vorderer Griff)	7,961 m/s ² K = 1,5 m/s ²	8,83 m/s ² K = 1,5 m/s ²
	Rechter Handgriff (vorderer Griff)	7,019 m/s ² K = 1,5 m/s ²	14,381 m/s ² K = 1,5 m/s ²
Schallpegel (getestet gemäß 2000/14/EG und 2005/88/EG):			
Schalldruckpegel an Bedienerposition (Rasentrimmer):		98,52 dB (A) K = 2,5 dB (A)	
Schalldruckpegel an Bedienerposition (Motorsense):		96,15 dB (A) K = 2,5 dB (A)	
Gemessener Schallleistungspegel (Rasentrimmer):		109,77 dB (A) K = 2,5 dB (A)	
Gemessener Schallleistungspegel (Motorsense):		107,29 dB (A) K = 2,5 dB (A)	
Schallpegel (getestet gemäß 2000/14/EG und 2005/88/EG): Garantierte Schallleistungswerte		112 dB (A)	

Bezeichnung der Bauteile

EM2600U U-Griff



EM2600L Bügelgriff



	Bezeichnung der Bauteile
1	Kraftstofftank
2	Seilspulstarter
3	Luftfilter
4	I-Stopp-Schalter (Ein/Aus)/ Start-Stopp-Schalter
5	Zündkerze
6	Abgasschalldämpfer
7	Kupplungsgehäuse
8	Hinterer Griff
9	Einhänger
10	Vorderer Griff
11	Gashebel
12	Seilzug
13	Schaftrohr
14	Schutz (Schutz für Schneidwerkzeug)
15	Getriebegehäuse
16	Griffhalterung
17	Schneidblatt
18	Fadenkopf
19	Tankdeckel
20	Startergriff
21	Ansaugpumpe
22	Choke-Hebel

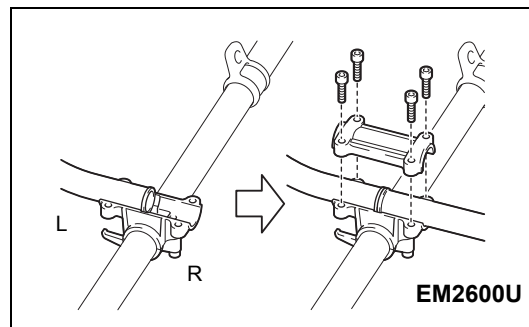
Montieren des Griffs

- ACHTUNG:** Stoppen Sie vor allen Arbeiten mit der Motorsense den Motor und trennen Sie den Zündkerzenstecker von der Zündkerze. Tragen Sie immer Schutzhandschuhe!
- ACHTUNG:** Stellen Sie sicher, dass Sie die Motorsense vor dem Start wieder vollständig montiert haben.

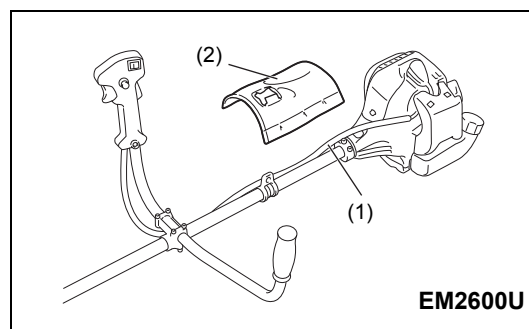


Für Modelle mit U-Griff

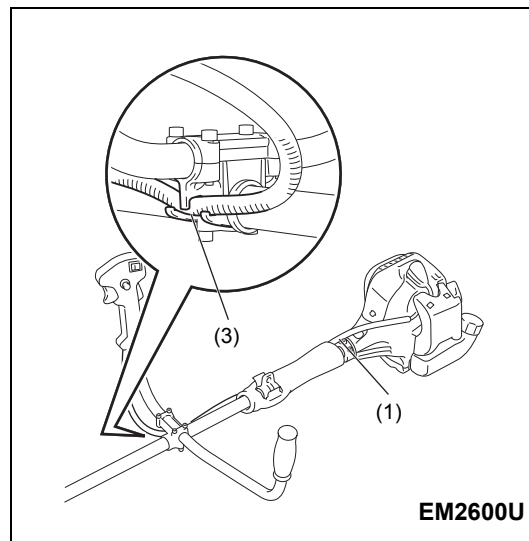
- Setzen Sie die beiden Griffe auf die Griffhalterung. Der Gashebel muss sich auf der rechten Seite befinden, wenn Sie in Richtung des Schneidwerkzeugs blicken.
- Passen Sie die Griffenden in die Rille der Griffhalterung ein und setzen Sie die Klemmvorrichtung auf. Zum Einstellen ziehen Sie sie leicht mit vier Schrauben an.
- Stellen Sie den Winkel der Griffe ein und ziehen Sie dann alle Schrauben gleichmäßig mit einem Innen-Sechskant-Schlüssel an.



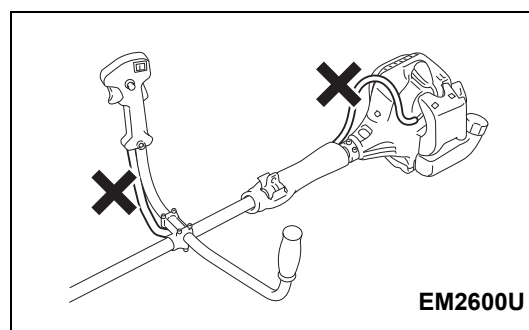
- Bringen Sie das Gashebel-Kabel (1) auf die Seite der Achse, auf der sich der Gashebel befindet. Umschließen Sie dann das Kabel mit der Hüftauflage (2).



- Führen Sie das Gashebel-Kabel (1) in die Klemmöffnung (3) an der Griffhalterung ein.
- Vergewissern Sie sich, dass das Gashebel-Kabel so verläuft, wie in der Abbildung dargestellt.
- Betätigen Sie den Gashebel und vergewissern Sie sich, dass er freigängig ist.

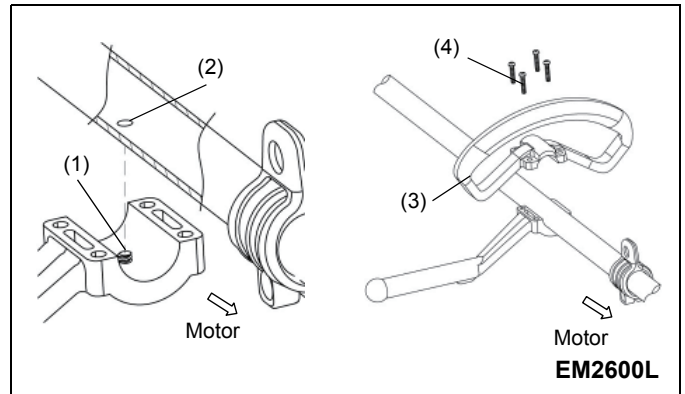


- ACHTUNG:** Das Kabel darf nicht so verlaufen, wie in der Abbildung dargestellt. Ein abstehendes Kabel kann zu einer hohen Leerlaufgeschwindigkeit führen und ein unkontrolliertes Blatt kann Verletzungen verursachen.



Für Modelle mit Bügelgriff

- Führen Sie das Gewinde (1) auf der Griffhalterung in die Befestigungsöffnung (2) auf dem Rohr.
- Befestigen Sie den vorderen Griff (3) am Schaftrohr.
- Befestigen Sie die 4 Schrauben (4) M5 x 30.

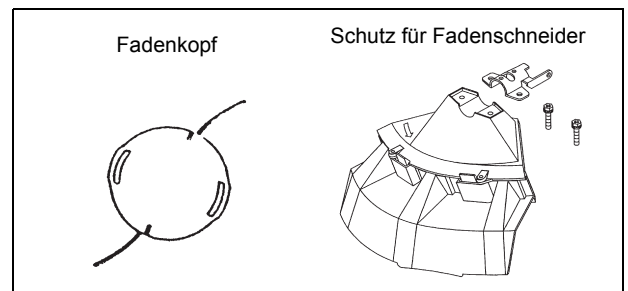
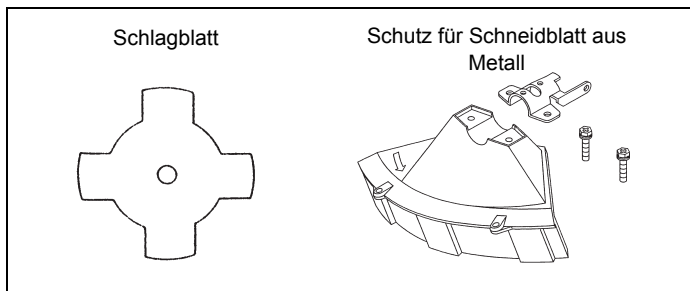


Montieren des Schutzes

Zur Erfüllung der geltenden Sicherheitsstandards dürfen Sie nur die in dieser Übersicht aufgezeigten Werkzeug/Schutz-Kombinationen verwenden.

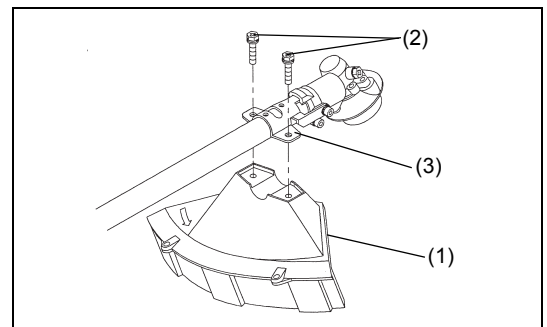
Verwenden Sie immer originale Schneidblätter/Fadenköpfe von MAKITA.

- Die Schneidblatt muss gut glänzen und darf keine Risse oder Brüche aufweisen. Falls das Schneidblatt während des Betriebs gegen einen Stein geschlagen ist, stoppen Sie sofort den Motor und überprüfen Sie das Blatt.
- Schleifen oder ersetzen Sie das Schneidblatt nach jeweils drei Betriebsstunden.
- Falls der Fadenkopf während des Betriebs gegen Steine schlägt, stoppen Sie den Motor und überprüfen Sie den Fadenkopf sofort.

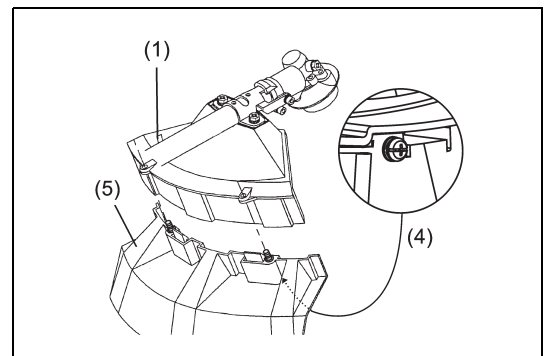


ACHTUNG: Für Ihre eigene Sicherheit und für die Einhaltung der Bestimmungen zur Unfallverhinderung müssen Sie stets den entsprechenden Schutz anbringen. Der Betrieb des Werkzeugs ohne installierten Schutz ist verboten.

- Befestigen Sie den Schutz (1) mit zwei Schrauben M6 x 30 (2) an dem Halblech (3).



- Bei Verwendung des Fadenkopfs passen Sie den Schutz (5) in den Schutz (1) ein und ziehen Sie diesen mit zwei Schrauben (4) fest.

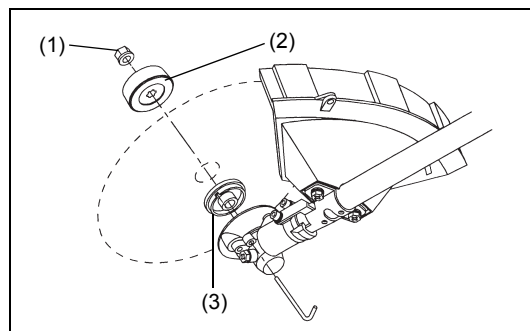


Montieren des Schneidblattes/des Fadenkopfes

Das Schneidblatt oder den Fadenkopf können Sie einfach austauschen, wenn Sie zuerst das Werkzeug umdrehen.



- Stecken Sie den Innen-Sechskant-Schlüssel durch die Öffnung im Getriebegehäuse und drehen Sie die Aufnahmescheibe (3), bis diese mit dem Innen-Sechskant-Schlüssel einrastet.
- Lösen Sie die Mutter/Federscheibe (1) (Linksgewinde) mit dem Steckschlüssel, und entfernen Sie die Mutter/Federscheibe (1) und die Klemmscheibe (2).



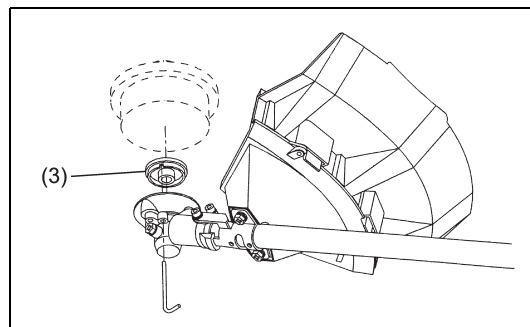
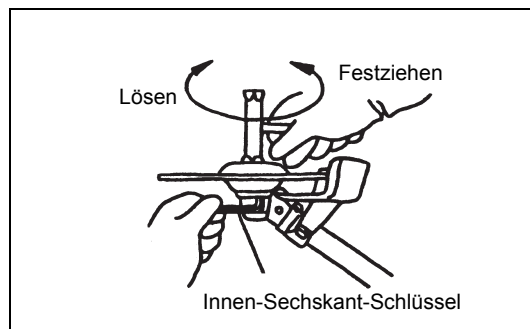
Mit eingestecktem Innen-Sechskant-Schlüssel

- Montieren Sie das Schneidblatt so auf die Achse, dass die Führung der Aufnahmescheibe (3) in das Wellenloch im Schneidblatt passt. Befestigen Sie die Klemmscheibe (2) und sichern Sie das Schneidblatt mit der Mutter/Federscheibe (1).
[Anzugsmoment: 13 bis 23 Nm]

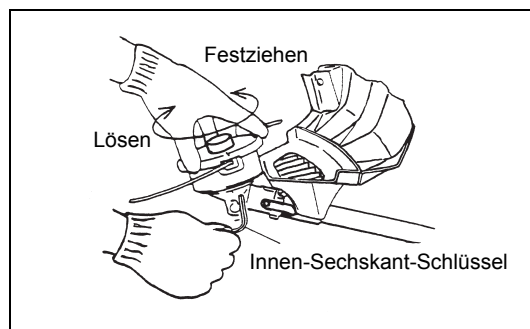
HINWEIS: Tragen Sie beim Umgang mit dem Schneidblatt immer Schutzhandschuhe.

HINWEIS: Die Mutter zum Befestigen des Schneidblattes (mit Federscheibe) ist ein Verschleißteil. Wenn Sie Verschleiß oder Deformation an der Federscheibe feststellen, ersetzen Sie die Mutter.

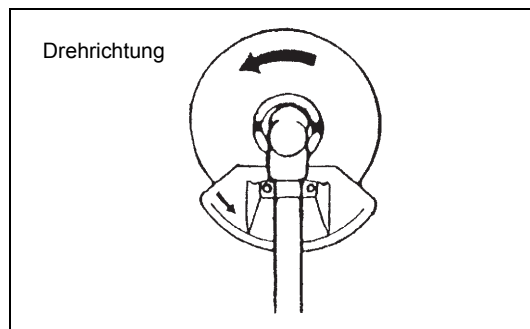
HINWEIS: Für die Montage des Fadenkopfes werden die Klemmscheibe (2) und die Mutter/Federscheibe (1) nicht benötigt. Der Nylonkopf muss auf die Aufnahmescheibe (3) passen.



- Schrauben Sie den Fadenkopf auf die Achse auf.



- Vergewissern Sie sich, dass sich die Klinge gegen den Uhrzeigersinn dreht.





Umgang mit Kraftstoff

Beim Umgang mit Kraftstoffen ist äußerste Vorsicht geboten. Kraftstoffe können Substanzen enthalten, die wie Lösungsmittel wirken. Tanken Sie nur in einem gut belüfteten Raum oder im Freien auf. Atmen Sie die Kraftstoffdämpfe nicht ein und vermeiden Sie jeglichen Kontakt des Kraftstoffs oder Öls mit Ihrer Haut. Mineralölzerzeugnisse wirken hautentfettend. Durch anhaltenden Hautkontakt mit diesen Erzeugnissen wird Ihre Haut extrem trocken, was zu zahlreichen Hauterkrankungen führen kann. Außerdem können allergische Reaktionen auftreten.

Bei Kontakt mit Öl können Augenirritationen auftreten. Falls Öl in Ihre Augen gelangt, spülen Sie die Augen sofort mit klarem Wasser. Falls die Augenirritationen anhalten, suchen Sie sofort einen Arzt auf.



Kraftstoff-Öl-Gemisch

Die Motorsense ist ein Hochleistungs-Zwei-Takt-Motor. Dieser wird mit einem Gemisch aus Kraftstoff und Zwei-Takt-Motorenöl betrieben. Der Motor ist für bleifreies Normalbenzin mit einer Oktanzahl von ROZ 91 vorgesehen. Verwenden Sie nur bleifreien Kraftstoff, um eine optimale Motorleistung zu erreichen und um Ihre Gesundheit und die Umwelt zu schützen!

Zur Schmierung des Motors ist 2-Takt-Motoröl (Qualität: JASO FC oder ISO EGD) als Kraftstoffzusatz zu verwenden. Der Motor ist für die Verwendung des speziellen Zwei-Takt-Motorenöls in einem Mischverhältnis von 50:1 ausgelegt. Außerdem werden eine lange Lebensdauer begleitet von einem zuverlässigen Betrieb und minimalen Emissionen durch die Verwendung dieses Mischungsverhältnisses garantiert. Die zuverlässige Funktionsweise der Motorsense kann nicht garantiert werden, wenn das Mischungsverhältnis 50:1 (mit dem speziellen 2-Takt-Motoröl) nicht strengstens eingehalten wird.



Korrektes Mischungsverhältnis:

Ottokraftstoff: vom Hersteller freigegebenes 2-Takt-Motoröl = 50 : 1 oder Ottokraftstoff: 2-Takt-Motoröl eines anderen Herstellers = 25: 1 empfohlen

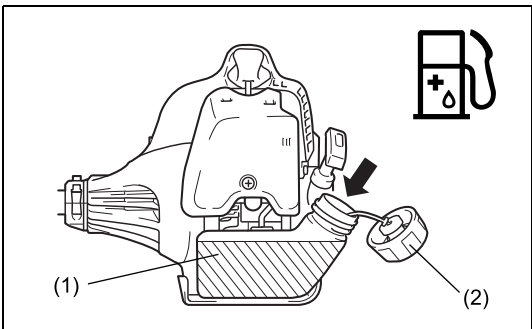
HINWEIS: Mischen Sie zur Vorbereitung des Kraftstoff-Öl-Gemischs zuerst die gesamte Ölmenge mit der Hälfte des erforderlichen Kraftstoffs und fügen Sie anschließend den restlichen Kraftstoff hinzu. Mischen Sie das Gemisch gut durch, bevor Sie es in den Tank der Motorsense einfüllen. Geben Sie nicht mehr Motorenöl als angegeben hinzu, um einen sicheren Betrieb zu gewährleisten. Andernfalls werden mehr Verbrennungsrückstände produziert, die Umwelt verschmutzt und der Abluftkanal sowie der Schalldämpfer verstopft. Außerdem steigt der Kraftstoffverbrauch und die Leistung sinkt.

Kraftstoff	50:1	25:1
	+	
1.000 cm ³ (1 Liter) 5.000 cm ³ (5 Liter) 10.000 cm ³ (10 Liter)	20 cm ³ 100 cm ³ 200 cm ³	40 cm ³ 200 cm ³ 400 cm ³

Betanken

Der Motor muss ausgeschaltet sein.

- Reinigen Sie den Bereich um den Tankdeckel (2) gründlich, damit kein Schmutz in den Kraftstofftank (1) gelangt.
- Schrauben Sie den Tankdeckel (2) ab und füllen Sie den Kraftstoff ein.
- Schrauben Sie den Tankdeckel (2) wieder fest auf.
- Reinigen Sie den Tankdeckel (2) und den Tank nach dem Betanken.



Aufbewahrung von Kraftstoffen

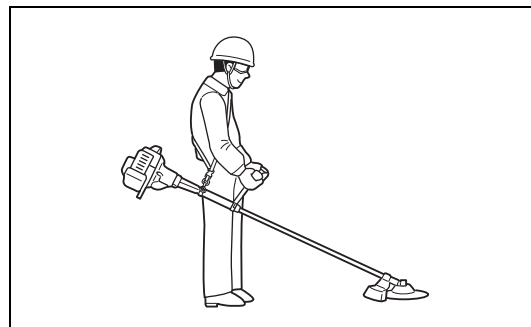
Kraftstoff kann nicht unbegrenzt gelagert werden.

Kaufen Sie nur die Menge, die Sie in einem Betriebszeitraum von 4 Wochen benötigen. Verwenden Sie ausschließlich zugelassene Kraftstoffbehälter.

Korrektter Umgang

Befestigen des Schultergurts

- Stellen Sie die Gurtlänge so ein, dass das Schneidblatt parallel zum Boden ist.



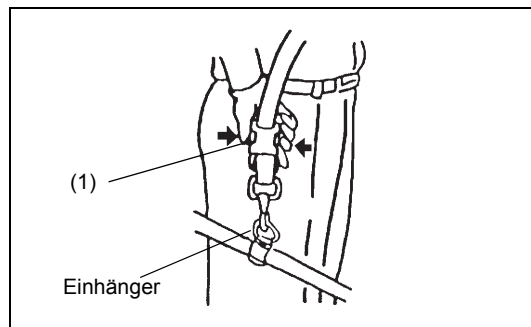
Abtrennung

- Drücken Sie im Notfall die Einrastungen (1) an beiden Seiten und trennen Sie die Anlage.

Gehen Sie äußerst vorsichtig vor, damit Sie die Kontrolle über das Werkzeug behalten. Lassen Sie nicht zu, dass das Werkzeug in Ihre Richtung oder in Richtung anderer Personen in Ihrer Nähe abprallt.

WARNUNG: Andernfalls können Sie die Kontrolle über das Werkzeug verlieren und schwere oder TÖDLICHE Verletzungen verursachen.

Hinweis: In einigen Ländern hat der Schultergurt diese Abtrennfunktion nicht.



Wichtige Betriebsschritte/Stoppen der Sense/des Trimmers

Beachten Sie die geltenden Bestimmungen zur Unfallvermeidung.



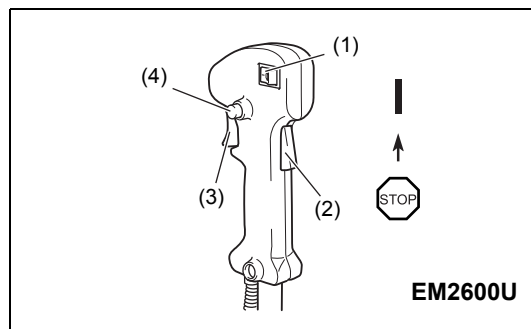
Starten

Bewegen Sie sich mindestens 3 m von dem Bereich weg, wo Sie das Werkzeug betankt haben. Legen Sie die Motorsense auf einem sauberen Untergrund ab und achten Sie darauf, dass das Schneidwerkzeug nicht in Kontakt mit dem Erdboden oder anderen Gegenständen steht.

WARNUNG: Beachten Sie, dass sich das Schneidwerkzeug sofort nach dem Motorstart zu drehen beginnt.

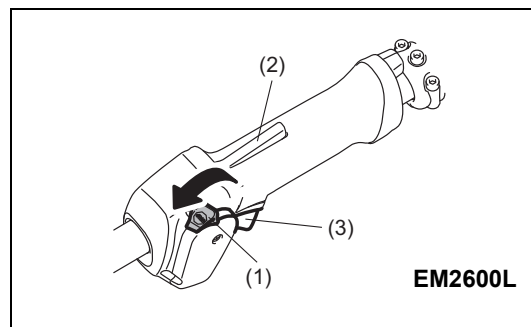
Kaltstart für Modelle mit U-Griff

- Stellen Sie den I-Stopp Schalter (Ein/Aus) (1) wie abgebildet ein.
- Erfassen Sie den Griff (der Sicherheits-Entsperrhebel (2) wird durch Handdruck aktiviert).
- Drücken Sie den Gashebel (3) und halten Sie ihn gedrückt.
- Drücken Sie die Verriegelungstaste (4) und lassen Sie den Gashebel los; lassen Sie anschließend die Verriegelungstaste los (die Verriegelungstaste hält den Gashebel in der Startposition).



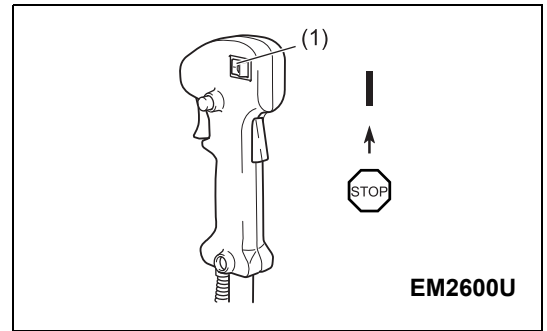
Kaltstart für Modelle mit Bügelgriff

- Stellen Sie den Start-Stopp-Schalter (1) wie abgebildet auf Startposition.
- Erfassen Sie den Griff (der Sicherheits-Entsperrhebel (2) wird durch Handdruck aktiviert).
- Drücken Sie den Gashebel (3) und halten Sie ihn gedrückt.
- Setzen Sie den Start-Stopp-Schalter (1) in die Startposition und lassen Sie den Gashebel los und lassen Sie dann den Start-Stopp-Schalter los (Der Start-Stopp-Schalter hält den Gashebel in der Startposition).



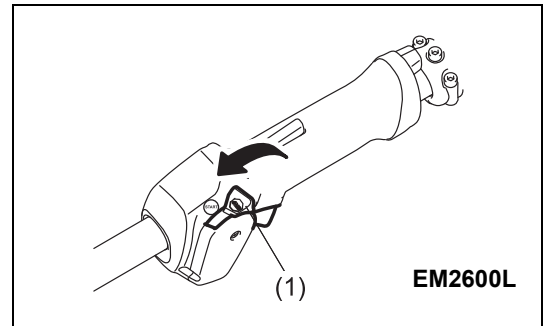
Warmstart für Modelle mit U-Griff

- Stellen Sie den I-Stopp Schalter (Ein/Aus) (1) wie abgebildet ein.

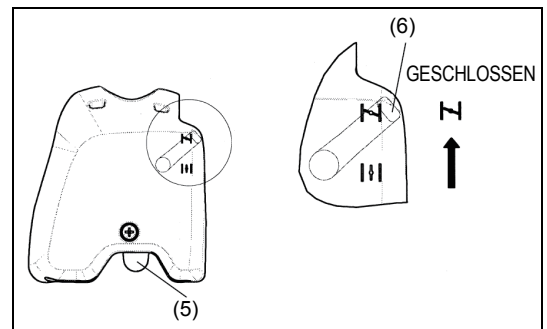


Warmstart für Modelle mit Bügelgriff

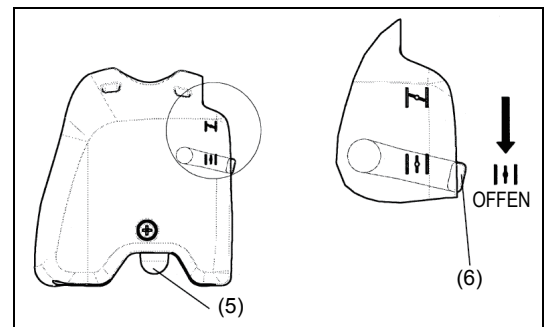
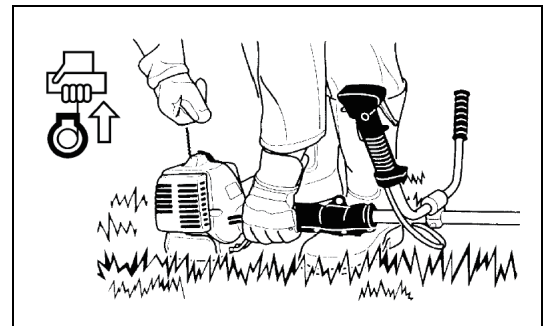
- Stellen Sie den Start-Stopp-Schalter (1) wie abgebildet auf Neutralposition.



- Legen Sie zuerst das Werkzeug auf dem Boden ab.
- Drücken Sie die Ansaugpumpe (5) mehrmals (7 bis 10 Mal) leicht, bis der Kraftstoff in die Ansaugpumpe gelangt.
- Schließen Sie den Choke-Hebel (6).
 - Öffnen des Chokes:
 - Bei kalten Temperaturen oder wenn der Motor kalt ist, ist der Choke völlig geschlossen
 - Bei einem erneuten Start bei noch warmen Motor ist der Choke völlig oder halb geöffnet



- Halten Sie das Kupplungsgehäuse sicher mit der linken Hand fest (siehe Abbildung).
- Ziehen Sie den Startergriff langsam, bis Sie einen Widerstand spüren, ziehen Sie dann stark.
- Ziehen Sie das Starterseil nicht bis zur vollen Länge heraus, und verhindern Sie, dass sich der Startergriff selbst einzieht. Halten Sie das Starterseil unter Kontrolle und gewährleisten Sie ein langsames Einziehen.
- Wiederholen Sie den Startvorgang, bis Sie die Startzündung des Motors hören.
- Drücken Sie auf den Choke-Hebel (6) (↓) und ziehen Sie das Starterseil erneut, bis der Motor startet.
- Lassen Sie sofort nach dem Start des Motors den Gashebel los, lassen Sie die Halbdrossel-Verriegelung los und lassen Sie den Motor im Leerlauf.
- Lassen Sie den Motor für etwa eine Minute mit einer recht niedrigen Drehzahl laufen, bevor Sie den Motor voll belasten.



- HINWEIS: – Wenn Sie den Startergriff wiederholt ziehen und der Choke-Hebel sich in der Position „|“ befindet, startet der Motor aufgrund der übermäßigen Kraftstoffaufnahme nicht leicht.
- Falls übermäßig Kraftstoff aufgenommen wird, entfernen Sie die Zündkerze und ziehen Sie den Startergriff langsam, um den übermäßigen Kraftstoff zu entfernen. Trocknen Sie außerdem die Elektroden der Zündkerze.

Vorsichtsmaßnahmen bei Betrieb:

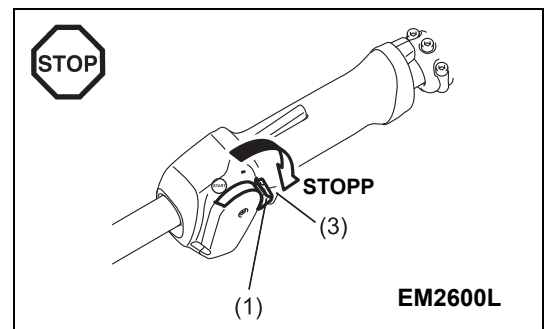
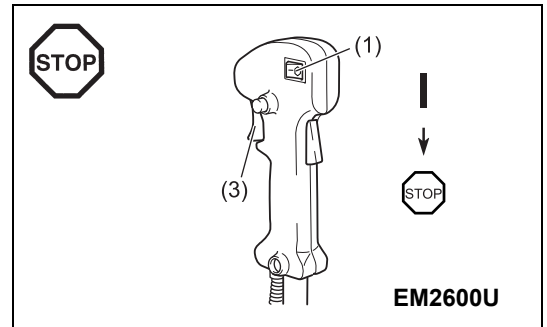
Falls der Gashebel während des lastlosen Betriebs vollständig geöffnet ist, erreicht die Motordrehzahl über 10.000 min^{-1} . Betreiben Sie den Motor nie mit einer höheren Geschwindigkeit als notwendig und bei etwa $6.000 - 8.000 \text{ min}^{-1}$.

ACHTUNG: Reduzieren Sie die Motordrehzahl immer, wenn Sie gerade nicht mit dem Werkzeug arbeiten.

Der Betrieb des Werkzeugs bei höheren Drehzahlen ohne Belastung verkürzt die Lebenszeit der Sense.

Stoppen

- Lassen Sie den Gashebel (3) vollkommen los und drücken Sie, wenn sich die Motordrehzahl verlangsamt hat, den I-Stopp-Schalter (Ein/Aus)/Start-Stopp-Schalter (1) in die Position STOPP (STOP), um den Motor zu stoppen.
- Beachten Sie, dass der Schneidkopf nicht sofort stoppt, und stellen Sie sicher, dass dieser langsamer wird und von selbst stoppt.



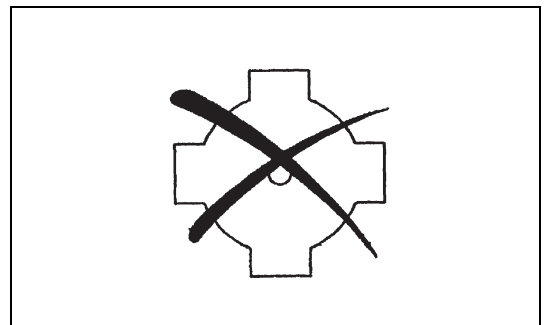
Schärfen des Schneidwerkzeugs

ACHTUNG: Die im Folgenden aufgeführten Schneidwerkzeuge dürfen nur durch autorisierte Einrichtungen geschärft werden. Manuelles Neuschärfen führt zu Unwuchten des Schneidwerkzeugs, wodurch Vibrationen und Beschädigungen des Werkzeugs verursacht werden.

- Schneidblätter (4-Zahn-Schlagblätter)

Professionelle Schärfe- und Auswuchtdienste werden von autorisierten Dienstleistungsunternehmen angeboten.

HINWEIS: Zur Verbesserung der Lebenszeit der Schneidklinge (Schlagblatt) muss die Klinge möglicherweise umgedreht werden, damit sich beide Schneidkanten abnutzen.

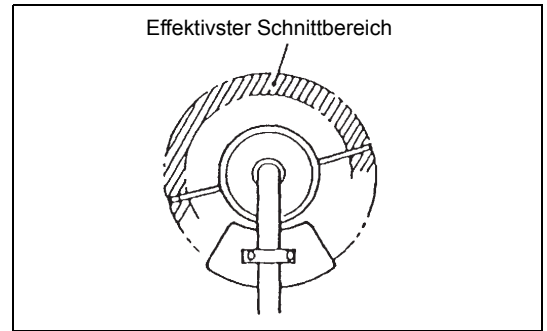


FADENKOPF

Der Fadenkopf ist ein Trimmerkopf mit zwei Nylonseilen, die durch das Aufstoßen des Schneidkopfs weiter aus dem Schneidkopf heraustreten. Das Nylonseil tritt weiter aus dem Fadenkopf heraus, nachdem der Schneidkopf bei niedriger Drehzahl auf den Boden aufgestoßen wird.

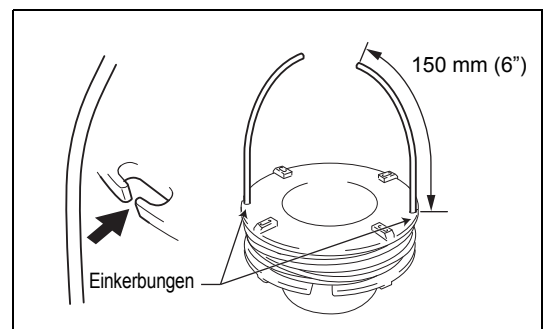
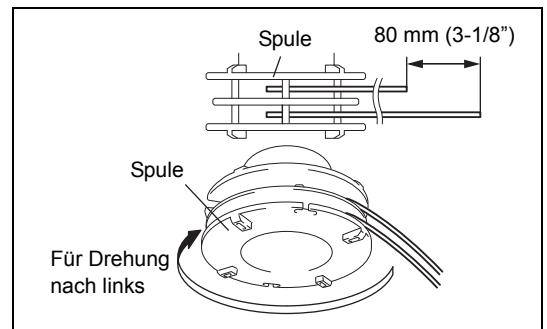
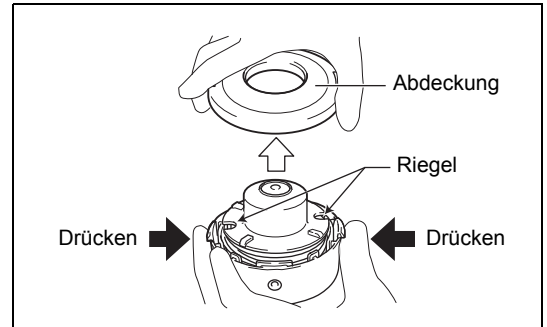
Betrieb

- Der effektivste Schnittbereich ist schraffiert dargestellt.
- Damit das Nylonseil aus dem Schneidkopf austritt, erhöhen Sie die Drehzahl des Fadenkopfes auf ca. 6.000 min^{-1} und stoßen Sie den Fadenkopf leicht auf den Boden auf.
- Falls das Nylonseil nicht durch Aufstoßen des Fadenkopfs auf den Boden herausgeführt werden kann, spulen Sie das Nylonseil neu auf oder tauschen Sie es aus, indem Sie die im Abschnitt „Ersetzen des Nylonseils“ beschriebenen Schritte durchführen.

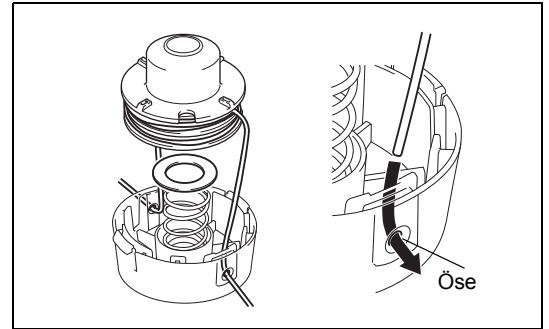


Ersetzen des Nylonseils

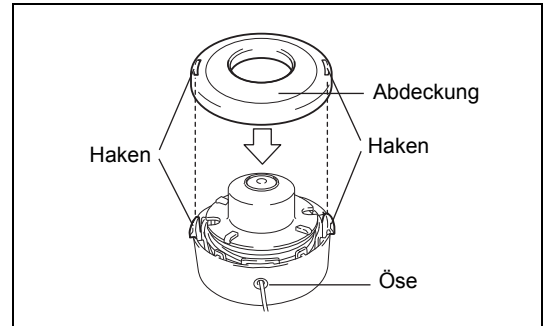
- Stoppen Sie den Motor.
- Drücken Sie die Riegel nach innen, um die Abdeckung anzuheben und die Spule zu entfernen.
- Haken Sie die Mitte des Nylonseils in die Kerbe in der Mitte der Spule ein, das eine Ende des Seils muss etwa 80 mm länger als das andere sein. Winden Sie anschließend beide Enden fest um die Spule in Richtung der Kopfdrehung (Linksdrehung wird durch „LH“ und Rechtsdrehung durch „RH“ an der Seite der Spule gekennzeichnet).
- Winden Sie etwa 150 mm des Seils um die Spule und lassen Sie die Enden vorübergehend in der Einkerbung an der Seite der Spule eingehängt.



- Fädeln Sie die Fäden durch die Ösen aus dem Gehäuse heraus. Montieren Sie die Unterlegscheibe, Feder und Spule im Gehäuse.



- Richten Sie die Haken auf der Abdeckung mit dem Gehäuse aus. Drücken Sie dann die Abdeckung fest auf das Gehäuse, um sie zu sichern.



Wartungsanweisungen

Wartungsanweisungen

- ACHTUNG:** Schalten Sie vor allen Wartungsarbeiten an der Motorsense den Motor aus und trennen Sie den Zündkerzenstecker von der Zündkerze (siehe „Überprüfen der Zündkerze“). Tragen Sie unbedingt Schutzhandschuhe.
- ACHTUNG:** Bauen Sie den Rückstoßstarter niemals selbst aus. Zuwiderhandlungen können zu Unfällen führen. Diese Vorgehensweise sollte nur von autorisierten Servicezentren durchgeführt werden.



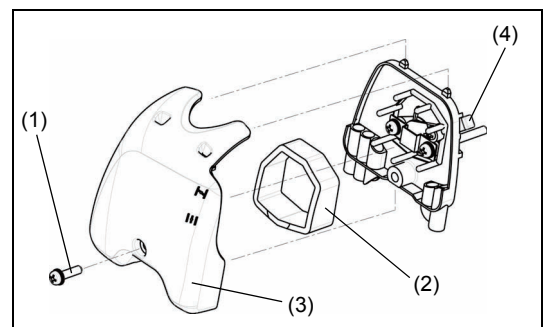
Führen Sie die folgenden Wartungsarbeiten regelmäßig durch, um eine lange Lebenszeit zu erzielen und Beschädigungen des Werkzeugs zu vermeiden.

Tägliche Inspektionen und Wartungsarbeiten

- Überprüfen Sie vor dem Betrieb das Werkzeug auf lose Schrauben und fehlende Teile. Achten Sie besonders auf den festen Sitz des Schneidblattes/des Fadenkopfes.
- Überprüfen Sie vor jedem Betrieb, dass die Kühlluftdurchgänge und Zylinderlamellen nicht verstopft sind. Reinigen Sie diese bei Bedarf.
- Führen Sie die folgenden Wartungsarbeiten täglich nach der Arbeit durch:
 - Reinigen Sie die Motorsense im ausgebauten Zustand und überprüfen Sie diese auf Beschädigungen.
 - Reinigen Sie den Luftfilter. Wenn Sie unter sehr staubigen Bedingungen arbeiten, reinigen Sie den Filter mehrmals am Tag.
 - Überprüfen Sie das Schneidblatt/den Fadenkopf auf Beschädigungen und auf ordnungsgemäßen Sitz.
 - Prüfen Sie, dass der Abstand zwischen Leerlauf- und Betriebsdrehzahlen ausreichend ist, damit das Werkzeug bei Leerlauf des Motors im Stillstand ist (reduzieren Sie bei Bedarf die Leerlaufdrehzahl).
Falls sich das Schneidwerkzeug während des Leerlaufs des Motors weiter dreht, wenden Sie sich an das nächste autorisierte Servicezentrum.
- Prüfen Sie den I-Stopp-Schalter (Ein/Aus)/Start-Stopp-Schalter, den Entriegelungshebel, den Regelungshebel und die Verriegelungstaste auf ordnungsgemäße Funktionsweise.

Reinigen des Luftreinigers (Luftfilter)

- Drehen Sie den Choke-Hebel (4) vollständig zu, und halten Sie den Vergaser fern von Staub oder Schmutz.
- Entfernen Sie die Schraube (1).
- Nehmen Sie die Luftfilterabdeckung (3) ab.
- Entfernen Sie den Schwamm (2), waschen Sie diesen in lauwarmen Wasser und trocknen Sie diesen vollständig.
- Setzen Sie nach dem Reinigen den Luftfilterdeckel (3) wieder auf und befestigen Sie ihn mit der Schraube (1).

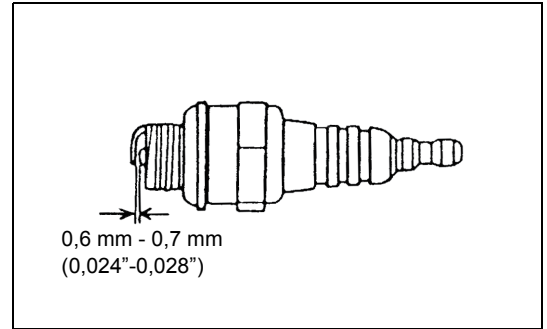


HINWEIS: Sollten übermäßiger Staub und Schmutz am Luftfilter anhaften, reinigen Sie den Luftfilter täglich. Der Motor kann mit einem verstopften Luftfilter nur schwer oder gar nicht gestartet werden, oder die Motordrehzahl nimmt ab.

Überprüfen der Zündkerze

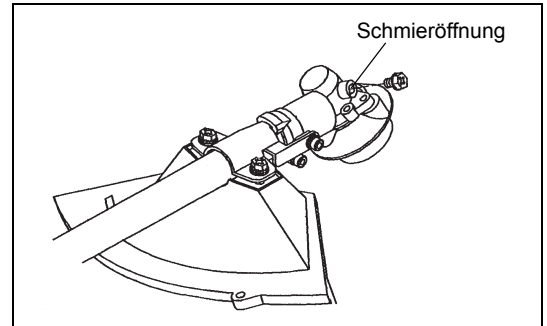
- Schrauben Sie die Zündkerze ausschließlich mit dem mitgelieferten Universalschlüssel heraus- und ein.
- Der Abstand zwischen den Elektroden der Zündkerze muss zwischen 0,6 und 0,7 mm liegen. Wenn der Abstand zu klein oder zu groß ist, korrigieren Sie den Abstand. Falls die Zündkerze stark verschmutzt ist, reinigen Sie diese gründlich oder ersetzen Sie sie.

ACHTUNG: Berühren Sie bei laufendem Motor niemals den Zündkerzenstecker (Gefahr eines Hochspannungsschlags).



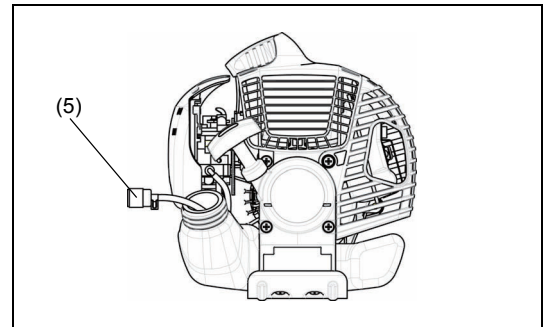
Einbringen von Schmierfett in das Getriebegehäuse

- Bringen Sie nach jeweils 30 Betriebsstunden Schmierfett (Shell Alvania 2 oder gleichwertig) durch die Schmieröffnung in das Getriebegehäuse ein. (Originales MAKITA-Schmierfett erhalten Sie bei Ihrem MAKITA-Händler.)



Ansaugkopf im Kraftstofftank

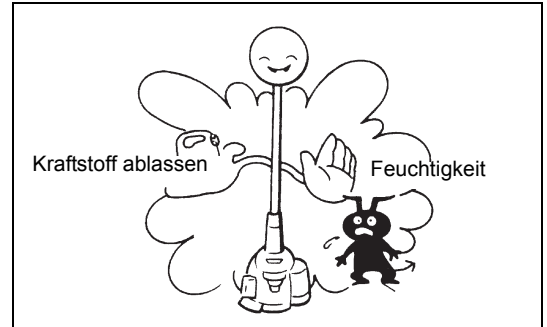
- Mit dem Kraftstofffilter (5) des Ansaugkopfes wird der benötigte Kraftstoff in den Vergaser geleitet.
- Führen Sie regelmäßig eine Sichtprüfung des Kraftstofffilters durch. Für die Inspektion des Filters öffnen Sie den Deckel des Tankeinfüllstutzens und ziehen Sie mit einem Drahhaken den Ansaugkopf durch die Tanköffnung. Ersetzen Sie den Filter, falls dieser verhärtet, schmutzig oder verstopft ist.
- Eine unzureichende Kraftstoffzufuhr kann dazu führen, dass die maximal zulässige Drehzahl überschritten wird. Aus diesem Grund muss der Kraftstofffilter mindestens quartalsweise ersetzt werden, um eine zufriedenstellende Kraftstoffzufuhr zum Vergaser zu gewährleisten.



Alle weiteren Wartungsarbeiten oder Einstellungen, die in diesem Handbuch nicht beschrieben wurden, müssen von autorisierten Servicezentren durchgeführt werden.

Aufbewahrung

- Wenn Sie das Werkzeug über einen längeren Zeitraum lagern, lassen Sie den gesamten Kraftstoff aus den Tank und dem Vergaser ab. Lassen Sie dazu einfach den Kraftstoff aus dem Tank ab. Entsorgen Sie den abgelassenen Kraftstoff gemäß den örtlichen Bestimmungen.
- Entfernen Sie die Zündkerze und geben Sie einige wenige Tropfen Öl in die Zündkerzenöffnung. Ziehen Sie anschließend den Starter leicht, sodass das Öl die Innenseite des Motors bedeckt und ziehen Sie dann die Zündkerze fest.
- Entfernen Sie allen Staub und Schmutz von dem Schneidblatt und dem Äußeren des Motors und reiben Sie diese mit einem ölgetränktem Tuch ein. Lagern Sie das Werkzeug an einem trockenem Platz.



Wartungsplan

Allgemein	Motorbaugruppe, Schrauben und Muttern	Sichtprüfung auf Beschädigungen und festen Sitz Überprüfen von allgemeinem Zustand und Sicherheit
Nach jedem Betanken	Gashebel I-Stopp-Schalter (Ein/Aus)/Start-Stopp-Schalter	Funktionsprüfung Funktionsprüfung
Täglich	Luftfilter Kühlluftkanal Schneidwerkzeug Leerlaufdrehzahl	Reinigen Reinigen Prüfen auf Beschädigungen und Schärfe Überprüfen (Schneidwerkzeug darf sich nicht bewegen)
Wöchentlich	Zündkerze Schalldämpfer	Inspektion, ggf. Austausch Inspektion und Reinigung der Öffnung bei Bedarf
Quartalsweise	Ansaugkopf Kraftstofftank	Austauschen Reinigen
Vorgehen für Stilllegung	Kraftstofftank Vergaser	Kraftstofftank leeren Betreiben des Motors, bis der Kraftstoff vollständig verbraucht ist

Fehlerbehandlung

Problem	System	Beobachtung	Ursache
Motor startet nicht oder nur schwer	Zündsystem	Zündfunke OK	Fehler in der Kraftstoffzufuhr oder im Verdichtungssystem, mechanischer Defekt
		Kein Zündfunke	I-Stopp-Schalter (Ein/Aus)/Start-Stopp-Schalter betätigt, Fehler oder Kurzschluss in Verdrahtung, Zündkerze oder Zündkerzenstecker defekt, Zündmodul defekt
	Kraftstoffzufuhr	Kraftstofftank gefüllt	Falsche Choke-Position, Vergaser defekt, Kraftstoff-Zufuhrleitung verbogen oder blockiert, Kraftstoff verschmutzt
	Verdichtung	Keine Verdichtung beim Durchziehen	Zylinderkopfdichtung defekt, Pleuellendichtungen beschädigt, Zylinder oder Pleurerringe defekt oder ungeeignete Dichtung an der Zündkerze
Probleme bei Warmstart	Mechanischer Fehler	Starter greift nicht ein	Gebrochene Starterfeder, gebrochenen Teile innerhalb des Motors
		Tank gefüllt, Zündfunke OK	Vergaser verschmutzt, muss gereinigt werden
Motor startet, geht jedoch gleich wieder aus	Kraftstoffzufuhr	Tank gefüllt	Falsche Leerlaufeinstellung, Vergaser verschmutzt
Unzureichende Leistung	Möglicherweise sind mehrere Systeme gleichzeitig betroffen.	Motorleerlaufdrehzahl zu niedrig	Problem mit Lüftungsöffnung im Kraftstofftank, Kraftstoff-Zufuhrleitung unterbrochen, Kabel oder I-Stopp-Schalter (Ein/Aus)/Start-Stopp-Schalter defekt
			Luftfilter verschmutzt, Vergaser verschmutzt, Schalldämpfer verstopft, Auslasskanal im Zylinder verstopft

Grazie per aver acquistato questo decespugliatore/tagliabordi MAKITA. I decespugliatori/tagliabordi MAKITA sono il risultato di molti anni di competenza ed esperienza e di un preciso programma di sviluppo. Leggere con attenzione questo opuscolo per essere certi di avere le migliori prestazioni e i risultati eccezionali che il decespugliatore/tagliabordi MAKITA può offrire.



Sommario	Pagina
Simboli	56
Istruzioni di sicurezza.....	57
Dati tecnici.....	61
Nomi delle parti	62
Montaggio dell'impugnatura	63
Montaggio della protezione	64
Montaggio della lama/testina di taglio in nylon.....	65
Carburante/Rifornimento	66
Manipolazione corretta.....	67
Avvertenze importanti/arresto del decespugliatore/ rifilatore	67
Affilatura dell'utensile da taglio.....	69
Istruzioni di manutenzione	71
Stoccaggio	73

Simboli

Leggendo le presenti istruzioni per l'uso occorre prestare attenzione ai seguenti simboli.

	Leggere le istruzioni per l'uso		Indossare protezioni per occhi e orecchie (solo per il tagliabordi)
	Prestare particolare cura e attenzione		Indossare l'elmetto protettivo e le protezioni per occhi e orecchie (solo per il decespugliatore)
	Proibito		Non usare lame in metallo (solo per il tagliabordi)
	Mantenere la distanza		Velocità massima ammissibile dell'utensile
	Pericolo di oggetti volanti		Superfici calde: possono causare bruciate a dita e mani
	Vietato fumare		Miscela di olio e carburante
	Non usare fiamme libere		Avviamento manuale del motore
	Indossare guanti protettivi		Arresto di emergenza
	Contraccolpo		Primo soccorso
	Allontanare persone e animali dall'area di lavoro		ON/AVVIAMENTO
	Indossare calzature pesanti con suola antiscivolo. Si consigliano scarpe di sicurezza con puntale in metallo.		OFF/ARRESTO
			AVVIAMENTO

Istruzioni di sicurezza

Istruzioni generali

- Per garantire un corretto funzionamento, assicurarsi di leggere e comprendere completamente queste istruzioni per l'uso al fine di acquisire familiarità con l'utilizzo del decespugliatore/tagliabordi. Usare questo dispositivo senza sapere come azionarlo correttamente potrebbe portare a gravi lesioni per sé o per gli altri.
- Permettere di utilizzare il decespugliatore/tagliabordi solo a persone con provata esperienza con decespugliatori/tagliabordi. Concedendo in uso il dispositivo, allegare sempre il presente manuale.
- Se questa è la prima volta che si utilizza un utensile da taglio a motore, consultare il rivenditore per le istruzioni di base.
- Il decespugliatore/tagliabordi non deve essere utilizzato da bambini e persone al di sotto dei 18 anni di età. Persone al di sopra dei 16 anni possono usare il dispositivo per scopi di addestramento, solo sotto la supervisione di un istruttore qualificato.
- Usare il decespugliatore/tagliabordi con la massima cura e attenzione.
- Usare il decespugliatore/tagliabordi solo se si è in buone condizioni fisiche. Eseguire il lavoro con calma e attenzione. Gli utilizzatori devono essere responsabili dell'incolumità delle persone presenti.
- Non usare il decespugliatore/tagliabordi dopo l'assunzione di alcol o farmaci, oppure se ci si sente stanchi o indisposti.

AVVERTENZA: Questa macchina produce un campo elettromagnetico mentre è in funzione. Questo campo, in alcune circostanze, può interferire con impianti medici attivi o passivi. Per ridurre il rischio di lesioni gravi o mortali, si consiglia ai portatori di impianti medici di consultare il proprio medico curante e il produttore dell'impianto medico prima di utilizzare la presente macchina.

Uso previsto del dispositivo

- Il decespugliatore/tagliabordi è previsto esclusivamente per il taglio di erba, arbusti, cespugli e altro sottobosco e non deve essere usato per qualunque altro scopo, come bordatura o potatura di siepi, poiché questo potrebbe essere causa di infortuni.

Dispositivi di protezione personale

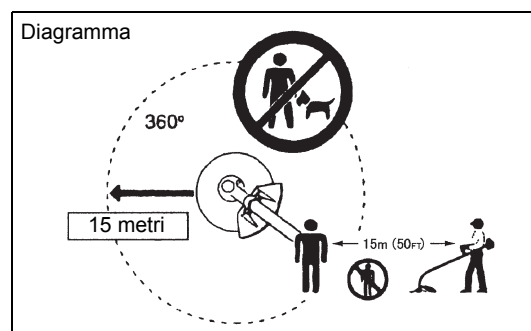
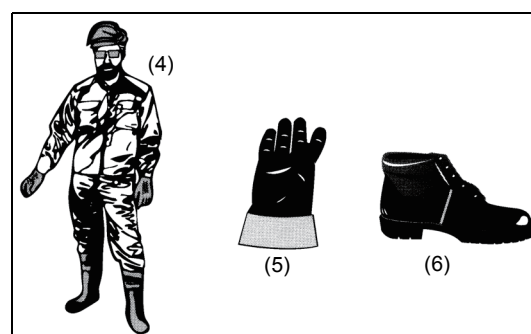
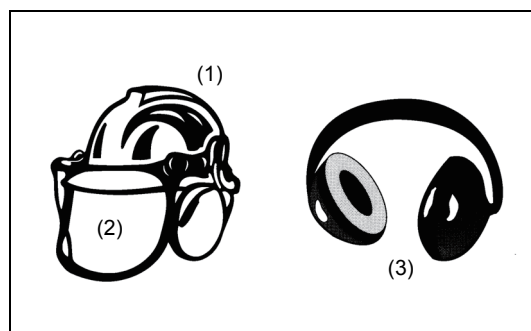
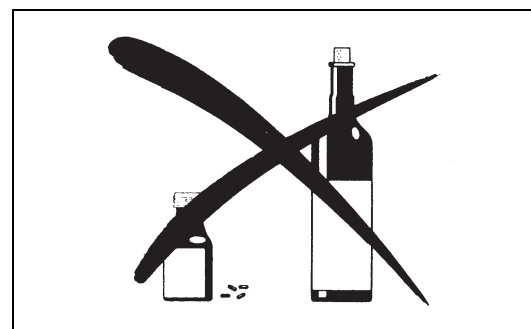
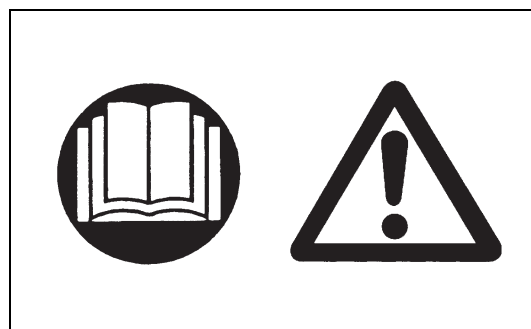
- Indossare sempre abiti che siano funzionali e appropriati per il lavoro da svolgere, cioè aderenti ma non così stretti da ostacolare i movimenti. Non indossare gioielli o abiti che potrebbero impigliarsi in cespugli o arbusti.
- Per evitare lesioni a testa, occhi, mani o piedi, oltre che per proteggere l'udito durante il lavoro, usando il decespugliatore/tagliabordi occorre indossare i seguenti dispositivi e indumenti protettivi.
- Indossare sempre un elmetto quando vi sia rischio di caduta di oggetti. Il casco di protezione (1) deve essere controllato periodicamente per verificare la presenza di eventuali danni e deve essere sostituito almeno ogni 5 anni. Usare solo caschi di protezione omologati.
- Il visore (2) dell'elmetto (o gli occhiali di protezione in alternativa) proteggono il volto da detriti e sassi volanti. Per prevenire danni agli occhi, indossare sempre occhiali di protezione o un visore durante l'uso del decespugliatore/tagliabordi.
- Indossare dispositivi di protezione acustica adeguati per evitare danni all'udito (cuffie isolanti (3), tappi per le orecchie e così via).
- Indossare una tuta da lavoro (4) per proteggersi da sassi e detriti volanti. Si consiglia fortemente di indossare una tuta da lavoro integrale.
- Guanti speciali (5) di cuoio pesante fanno parte dell'equipaggiamento prescritto e devono sempre essere indossati durante l'uso del decespugliatore/tagliabordi.
- Durante l'uso del decespugliatore/tagliabordi indossare sempre scarpe pesanti (6) con suola antiscivolo. Tali scarpe proteggono da ferite e assicurano una buona presa a terra.

Rischi residui

- Anche utilizzando la macchina nel rispetto delle istruzioni, non è possibile eliminare tutti i fattori di rischio residuo. Possono pertanto sorgere i seguenti pericoli, legati alla costruzione e alla progettazione della macchina:
 1. Danni ai polmoni, qualora non sia indossata una maschera antipolvere efficace.
 2. Danni all'udito, qualora non sia indossata una protezione acustica efficace.
 3. Danni alla salute derivanti dall'emissione di vibrazioni, qualora la macchina venga utilizzata per un periodo prolungato oppure non venga gestita adeguatamente e sottoposta a una corretta manutenzione.

Avvio del decespugliatore

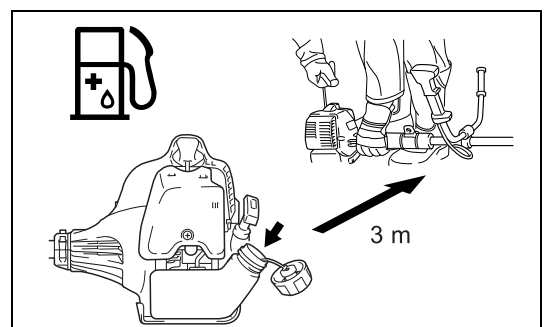
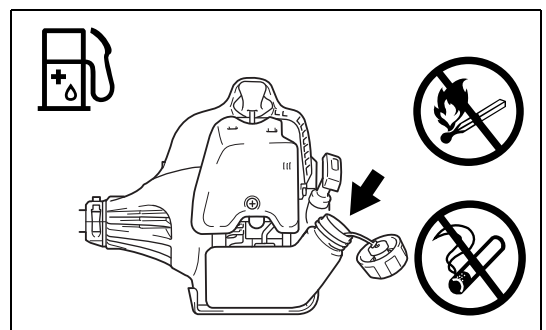
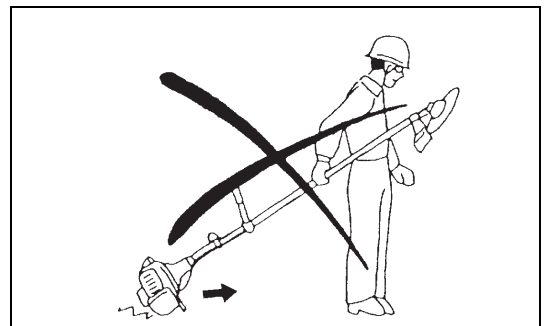
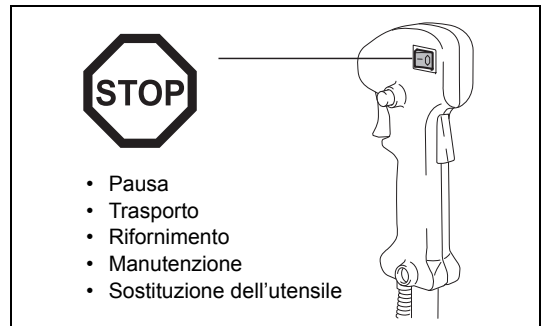
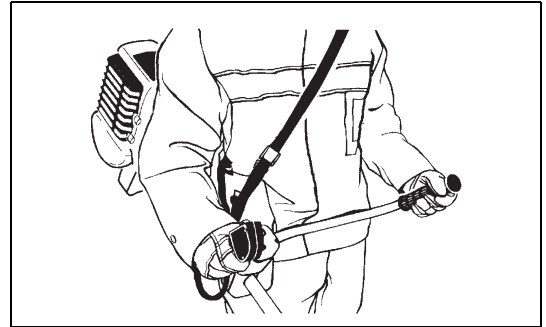
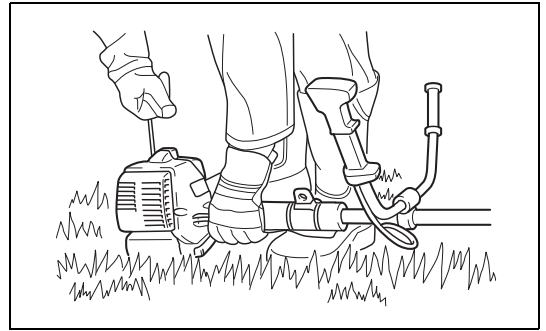
- Assicurarsi che non siano presenti bambini o altre persone in un raggio di 15 metri; fare anche attenzione alla presenza di animali nelle vicinanze dell'area di lavoro.
- Prima di utilizzarlo, assicurarsi sempre che il decespugliatore/tagliabordi sia pronto all'uso: Controllare che l'utensile da taglio sia fissato saldamente, che la leva di controllo possa essere azionata facilmente e che il blocco della leva di controllo funzioni correttamente.
- L'utensile da taglio non deve girare quando il motore è al minimo. Consultare il rivenditore se si ritiene che il dispositivo richieda regolazione. Verificare che le maniglie siano pulite e asciutte e che l'interruttore di accensione funzioni correttamente.



- Avviare il decespugliatore/tagliabordi solo secondo quanto riportato nelle istruzioni. Non usare alcun altro metodo per avviare il motore!
- Usare il decespugliatore/tagliabordi e gli utensili solo per gli usi previsti.
- Avviare il motore del decespugliatore/tagliabordi solo quando l'intero dispositivo è completamente montato. Non usare il dispositivo finché tutti gli accessori necessari non sono stati installati.
- Prima dell'avvio, assicurarsi che l'utensile da taglio non sia a contatto con oggetti duri, come rami, pietre, ecc. poiché all'avvio l'utensile si metterà in rotazione.
- Spegnerne immediatamente il motore in caso di problemi di qualunque tipo del motore.
- Nel caso in cui l'utensile da taglio colpisca pietre o altri oggetti rigidi, è necessario spegnere immediatamente il motore e ispezionare l'utensile.
- Controllare l'utensile da taglio frequentemente e con regolarità per verificare la presenza di danni (controllare piccole fratture picchiettando leggermente).
- Azionare il decespugliatore/tagliabordi solo dopo aver collegato la cinghia a tracolla e averla regolata alla giusta lunghezza. La cinghia a tracolla deve essere regolata e stretta in base alla taglia dell'utilizzatore per prevenire l'affaticamento durante l'uso del dispositivo. Durante l'uso non tenere mai il dispositivo con una mano sola.
- Durante l'uso, tenere sempre il decespugliatore/tagliabordi con entrambe le mani. Assicurarsi sempre di avere una buona presa a terra.
- Usare il decespugliatore/tagliabordi in modo da evitare di inalare i gas di scarico. Non azionare mai il motore in un luogo chiuso, come all'interno di una stanza (rischio di avvelenamento da gas). Il monossido di carbonio è un gas inodore.
- Spegnerne sempre il dispositivo durante le soste o se si intende lasciare incustodito il decespugliatore/tagliabordi, riponendolo in una posizione sicura per impedire incidenti ad altre persone e danni al dispositivo.
- Non porre mai il decespugliatore/tagliabordi sull'erba secca o su altri materiali combustibili.
- L'utensile da taglio deve sempre essere dotato dell'apposita protezione. Non avviare mai l'utensile senza questa protezione!
- Durante l'uso devono essere utilizzate tutte le installazioni di sicurezza e le protezioni fornite con il dispositivo.
- Non azionare mai il motore se la marmitta di scarico è difettosa.
- Spegnerne il motore durante il trasporto.
- Durante il trasporto dell'utensile, applicare sempre il coperchio alla lama di taglio.
- Assicurarsi che durante il trasporto il decespugliatore/tagliabordi sia posizionato in modo sicuro, per evitare perdite di carburante.
- Durante il trasporto, assicurarsi che il serbatoio del decespugliatore/tagliabordi sia completamente vuoto.
- Scaricando il decespugliatore/tagliabordi da un furgone o altri veicoli simili, non lasciare mai cadere il motore al suolo: questo potrebbe danneggiare gravemente il serbatoio del carburante.
- Tranne che in casi di emergenza, non lasciare mai cadere al suolo il decespugliatore/tagliabordi: questo potrebbe danneggiare gravemente il dispositivo.
- Per spostare il dispositivo, alzarlo sempre completamente dal suolo. Trascinare il dispositivo sul serbatoio del carburante è molto pericoloso e potrebbe causare perdita di carburante, con il conseguente pericolo di incendio.
- Se l'utensile cade o subisce un impatto violento, verificarne le condizioni prima di proseguire il lavoro. Verificare che l'impianto di alimentazione del carburante sia privo di perdite e che i dispositivi di sicurezza funzionino correttamente. In caso di danni o dubbi, richiedere l'ispezione e la riparazione presso il nostro centro di assistenza autorizzato.

Rifornimento

- Durante il rifornimento spegnere il motore, tenersi lontani da fiamme libere e non fumare.
- Assicurarsi che i prodotti a base di oli minerali non vengano a contatto con la pelle. Non inalare i vapori del carburante. Indossare sempre i guanti di protezione durante il rifornimento. Sostituire e pulire gli indumenti di protezione a intervalli regolari.
- Per prevenire la contaminazione del suolo (protezione ambientale), non versare a terra olio o carburante. In caso di perdita di carburante, pulire immediatamente il decespugliatore/tagliabordi.
- Evitare che il carburante venga a contatto con gli abiti. Se il carburante viene a contatto con gli abiti, sostituirli immediatamente per prevenire incendi.
- Controllare regolarmente il tappo del serbatoio del carburante per assicurarsi che sia stretto saldamente e che non perda.
- Stringere con cura il tappo del serbatoio del carburante. Prima di avviare il motore, allontanarsi di almeno 3 metri dal luogo in cui è stato fatto il rifornimento.



- Non effettuare mai il rifornimento in un luogo chiuso, come dentro una stanza. Questo potrebbe causare un'esplosione, dovuta all'accumulo di vapori di carburante a livello del suolo.
- Trasportare e riporre il carburante solo in contenitori omologati. Assicurarsi che il carburante riposto non sia accessibile ai bambini.

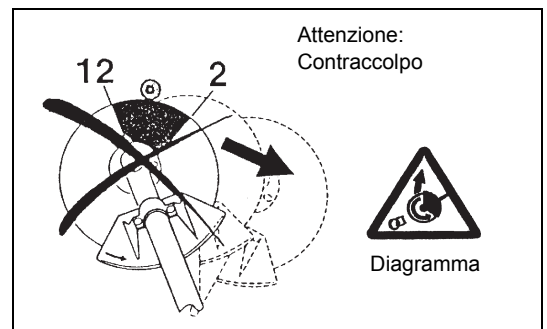
Utilizzo

- Usare il decespugliatore/tagliabordi solo in buone condizioni di luce e visibilità. Durante la stagione invernale, fare attenzione alle zone umide o scivolose, come quelle coperte da neve o ghiaccio (rischio di scivolamento). Assicurarsi sempre di avere una buona presa a terra.
- Non eseguire tagli a un'altezza superiore a quella della vita.
- Non usare mai il decespugliatore/tagliabordi su una scala.
- Non arrampicarsi sugli alberi per usare il decespugliatore/tagliabordi.
- Non lavorare su superfici instabili.
- Rimuovere sabbia, pietre, chiodi, ecc. dall'area di lavoro. Oggetti estranei possono danneggiare l'utensile da taglio e causare pericolosi contraccolpi.
- Prima di cominciare a tagliare, assicurarsi che l'utensile da taglio abbia raggiunto la velocità massima di lavoro.
- Se erba o sterpaglie restano impigliate tra l'utensile da taglio e la protezione, arrestare sempre il motore prima di effettuare la pulizia. In caso contrario, una rotazione involontaria della lama potrebbe causare gravi lesioni personali.
- Riposarsi spesso per evitare la perdita di controllo causata dall'affaticamento. Si consiglia di fare una pausa di 10 - 20 minuti ogni ora.



Contraccolpo (colpo di lama)

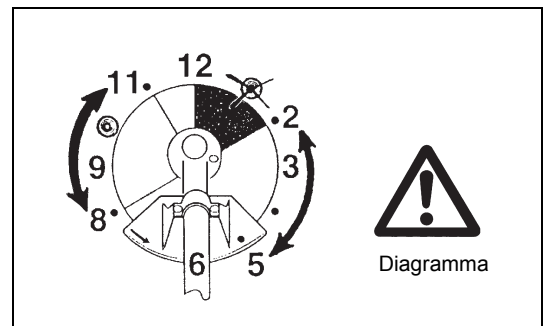
- Usando il decespugliatore, possono verificarsi contraccolpi incontrollati.
- I contraccolpi si verificano frequentemente quando si cerca di tagliare con la parte della lama che va dalle ore 12 alle ore 2.
- Non usare mai la sezione della lama del decespugliatore che va dalle ore 12 alle ore 2.
- Non applicare mai questa sezione della lama del decespugliatore su oggetti solidi, come cespugli o alberi, che abbiano un diametro maggiore di 3 cm. In questo modo il decespugliatore potrebbe essere deviato violentemente, condizione estremamente pericolosa che può essere causa di infortuni.



Prevenzione dei contraccolpi

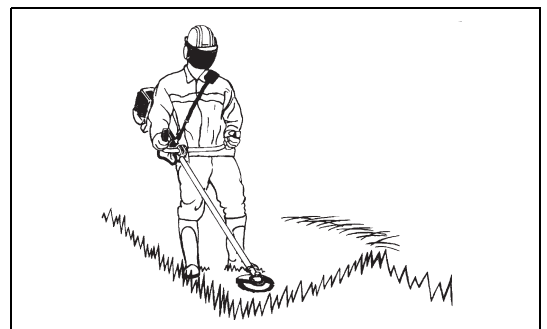
Per evitare contraccolpi, tener presenti i seguenti punti:

- L'uso della sezione della lama che va dalle ore 12 alle ore 2 è molto pericoloso, specialmente quando si utilizzano utensili da taglio di metallo.
- Le operazioni di taglio mediante le sezioni della lama comprese fra le ore 11 e 12 e fra le ore 2 e le 5 devono essere effettuate esclusivamente da operatori esperti e solo a loro rischio e pericolo. La sezione di taglio ottimale per un utilizzo agevole, quasi del tutto privo di contraccolpi, è quella compresa fra le ore 8 e le 11.



Utensili da taglio

- Utilizzare un utensile da taglio adeguato al lavoro da eseguire. Le testine di taglio in nylon (testine per tagliabordi) sono adatte al taglio dell'erba dei prati. Le lame in metallo sono adatte al taglio di erbe infestanti, erba alta, arbusti, cespugli, sottobosco, boscaglia e simili. Non utilizzare altre lame, ad esempio catene rotanti con più componenti in metallo e lame a flagelli. In caso contrario, potrebbero verificarsi gravi infortuni.
- Durante l'uso di lame in metallo, evitare i "contraccolpi" e prepararsi sempre a un contraccolpo accidentale. Consultare la sezione "Contraccolpo" e "Prevenzione dei contraccolpi".



Istruzioni per la manutenzione

- Per l'assistenza, rivolgersi al nostro centro di servizi autorizzato utilizzando solo parti di ricambio originali. Una riparazione errata o una manutenzione insufficiente possono accorciare la vita utile dell'utensile, aumentando il rischio di incidenti.
- Prima di iniziare il lavoro, controllare sempre le condizioni dell'utensile, in particolare i dispositivi di protezione e la cinghia a tracolla. Occorre prestare inoltre attenzione alle lame, che devono essere adeguatamente affilate.
- Per pulire o affilare gli utensili da taglio o il decespugliatore, spegnere il motore e rimuovere il cavo della candela.

Non raddrizzare né saldare gli utensili da taglio danneggiati.

- Azionare il decespugliatore/tagliabordi provocando il minore rumore e contaminazione possibili. In particolare, controllare che il carburatore sia installato correttamente.
- Pulire il decespugliatore/tagliabordi a intervalli regolari e controllare che tutte le viti e i dadi siano ben stretti.
- Non mantenere o riporre il decespugliatore/tagliabordi vicino a fiamme libere.
- Conservare sempre il decespugliatore/tagliabordi in stanze chiuse a chiave, dopo aver svuotato il serbatoio del carburante.
- Durante la pulizia, il funzionamento e lo stoccaggio dell'utensile, applicare sempre il coperchio alla lama di taglio.

Osservare le istruzioni per la prevenzione degli incidenti emesse dalle associazioni di settore e dalle compagnie di assicurazione.

Non modificare il decespugliatore/tagliabordi poiché ciò metterebbe a repentaglio la propria sicurezza.

Le attività di manutenzione o di riparazione a carico dell'utilizzatore sono limitate a quelle descritte nelle presenti istruzioni per l'uso. Qualsiasi altra operazione deve essere eseguita da un rappresentante autorizzato dell'assistenza. Usare solo parti di ricambio e accessori originali, rilasciati e forniti da MAKITA.

L'uso di accessori e utensili non approvati potrebbe aumentare il rischio di incidenti. MAKITA declina ogni responsabilità per danni o incidenti causati dall'uso di utensili da taglio, dispositivi di fissaggio di utensili da taglio o accessori non approvati.

Primo soccorso

In caso di infortuni, assicurarsi che nelle vicinanze del luogo di lavoro sia disponibile una cassetta di primo soccorso. Sostituire immediatamente ogni oggetto prelevato dalla cassetta di primo soccorso.

Nel momento in cui si richiede assistenza, fornire le seguenti informazioni:

- Luogo dell'incidente
- Che cosa è accaduto
- Numero delle persone ferite
- Tipo di ferite
- Nome e cognome

Vibrazione

- Se esposti a vibrazioni eccessive, gli operatori che soffrono di insufficienza venosa possono riportare danni ai vasi sanguigni o al sistema nervoso. Le vibrazioni possono causare i seguenti sintomi alle dita, alle mani o ai polsi: torpore, formicolio, dolore, fitte acute, alterazione della pelle o del suo colorito. Consultare un medico non appena si manifestano tali sintomi.
- Per ridurre il pericolo del cosiddetto fenomeno di Raynaud è importante mantenere le mani calde durante il lavoro ed effettuare un'adeguata manutenzione dell'apparecchio e degli accessori.



Solo per i paesi europei

Dichiarazione di conformità CE

Makita Corporation, in qualità di produttore responsabile, dichiara che gli utensili Makita indicati di seguito:

Denominazione dell'utensile: Decespugliatore/Tagliabordi

N. modello/Tipo: EM2600U, EM2600L

Caratteristiche tecniche: vedere la tabella "DATI TECNICI"

appartengono a una produzione in serie e sono

conformi alle seguenti direttive europee:

2000/14/EC, 2006/42/EC, 2004/108/EC

Sono inoltre prodotti in conformità agli standard o ai documenti standardizzati riportati di seguito:

EN ISO 11806-1, EN ISO 14982

La documentazione tecnica viene conservata da:

Makita International Europe Ltd., Technical Department,

Michigan Drive, Tongwell, Milton Keynes, Bucks MK15 8JD, Inghilterra

La procedura di valutazione della conformità richiesta dalla direttiva 2000/14/EC è stata effettuata secondo quanto specificato nell'allegato V.

Livello di potenza sonora misurato (come tagliabordi): 109,77 dB

Livello di potenza sonora misurato (come decespugliatore): 107,29 dB

Livello di potenza sonora garantito: 112 dB

15. 4. 2013

Tomoyasu Kato
Direttore

Makita Corporation
3-11-8, Sumiyoshi-cho,
Anjo, Aichi, JAPAN

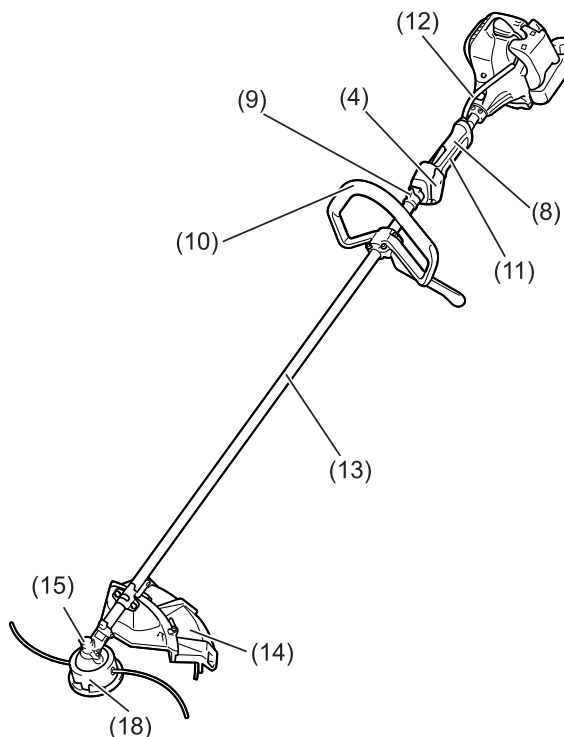
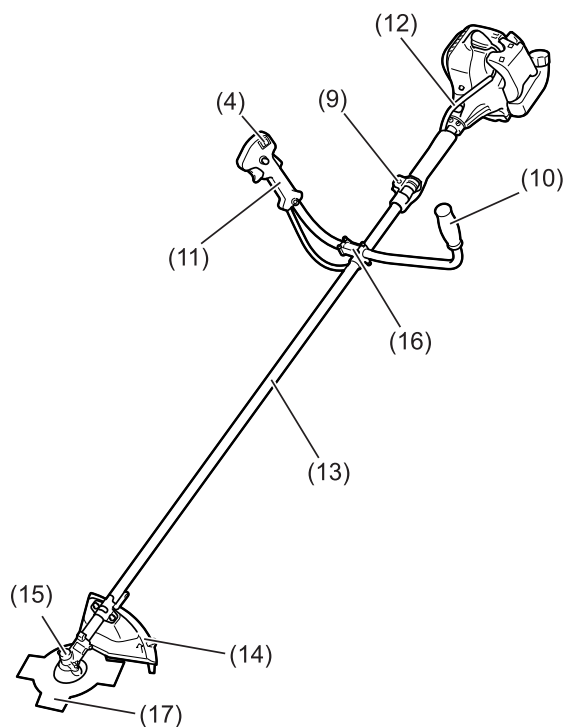
Dati tecnici

Modello		EM2600U	EM2600L
		Impugnatura a U	Impugnatura ad anello
Dimensioni: lunghezza x larghezza x altezza (senza lama di taglio)		1.770 x 610 x 410 mm	1.770 x 330 x 185 mm
Peso netto		5 kg	5 kg
Cilindrata del motore		25,7 cm ³	
Prestazioni massime del motore		0,83 kW	
Frequenza di rotazione massima del mandrino		8.800 min ⁻¹	
Accessorio di taglio	Lama in metallo singola	φ230 mm	
	Testina tagliabordi	φ430 mm	
Velocità al minimo		3.000/min	
Velocità di innesto della frizione		4.100/min	
Rapporto di trasmissione		14/19	
Carburante		Miscela di carburante Benzina: olio per motori a due tempi = 50:1	
Volume (serbatoio del carburante)		0,6 L	
Carburatore		WALBRO WYC	
Candela		NGK BPMR7A	
Distanza tra gli elettrodi		0,6 - 0,7 mm	
Vibrazione: (Per il decespugliatore)	Impugnatura sinistra (punto di presa anteriore)	14,680 m/s ² K = 1,5 m/s ²	5,152 m/s ² K = 1,5 m/s ²
	Impugnatura destra (punto di presa posteriore)	9,037 m/s ² K = 1,5 m/s ²	9,677 m/s ² K = 1,5 m/s ²
Vibrazione: (Per il tagliabordi)	Impugnatura sinistra (punto di presa anteriore)	7,961 m/s ² K = 1,5 m/s ²	8,83 m/s ² K = 1,5 m/s ²
	Impugnatura destra (punto di presa anteriore)	7,019 m/s ² K = 1,5 m/s ²	14,381 m/s ² K = 1,5 m/s ²
Rumorosità (testata secondo le direttive 2000/14/EC e 2005/88/EC):			
Livello di pressione sonora nella posizione dell'operatore (Tagliabordi):		98,52 dB (A) K = 2,5 dB (A)	
Livello di pressione sonora nella posizione dell'operatore (Decespugliatore):		96,15 dB (A) K = 2,5 dB (A)	
Livello di potenza sonora misurato (Tagliabordi):		109,77 dB (A) K = 2,5 dB (A)	
Livello di potenza sonora misurato (Decespugliatore):		107,29 dB (A) K = 2,5 dB (A)	
Rumorosità (testata secondo le direttive 2000/14/EC e 2005/88/EC): valori di potenza sonora garantiti		112 dB (A)	

Nomi delle parti

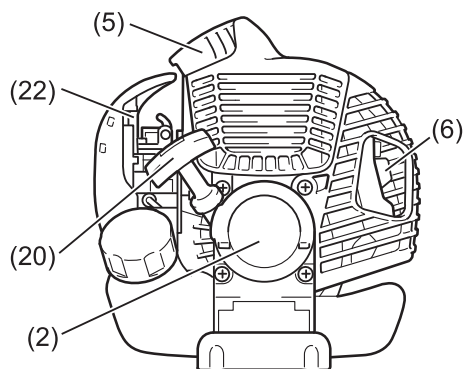
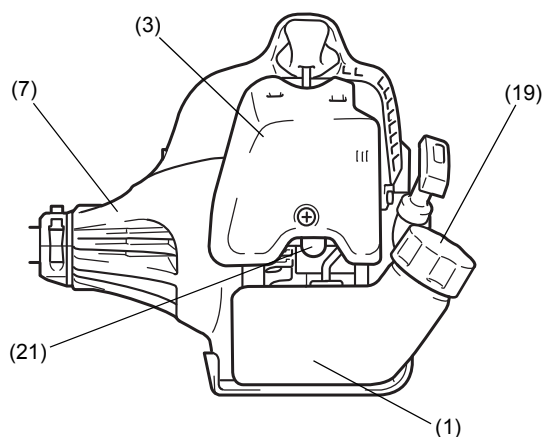
EM2600U

Tipo impugnatura a U



EM2600L

Tipo di impugnatura ad anello



Nomi delle parti	
1	Serbatoio del carburante
2	Avviamento con autoavvolgente
3	Filtro dell'aria
4	Interruttore I-Arresto (on/off)/ Interruttore di avviamento/arresto
5	Candela
6	Marmitta di scarico
7	Scatola della frizione
8	Punto di presa posteriore
9	Punto di sospensione
10	Impugnatura
11	Leva di controllo
12	Cavo di controllo
13	Albero
14	Protezione (dell'utensile da taglio)
15	Scatola degli ingranaggi
16	Supporto dell'impugnatura
17	Lama di taglio
18	Testina di taglio in nylon
19	Tappo del serbatoio del carburante
20	Manopola di avviamento
21	Pompa di innesco
22	Levetta dell'aria

Montaggio dell'impugnatura

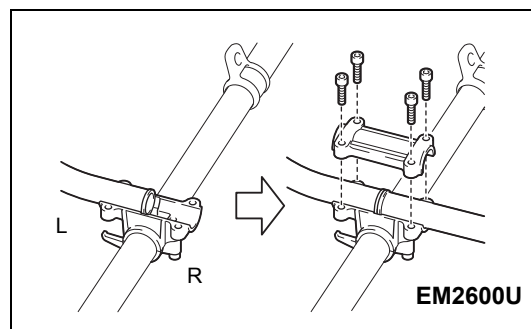
ATTENZIONE: Prima di effettuare qualunque intervento sul decespugliatore, spegnere sempre il motore e staccare il cavo di accensione dalla candela. Indossare sempre i guanti di protezione.

ATTENZIONE: Assicurarsi di aver rimontato completamente il decespugliatore prima di avviarlo.

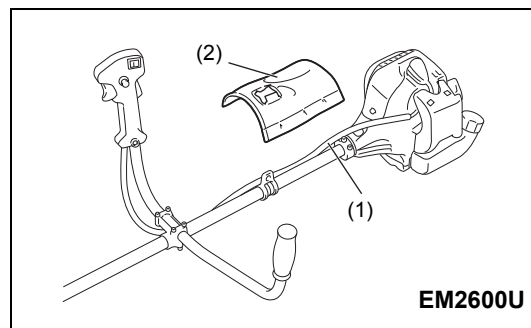


Per i modelli con impugnatura a U

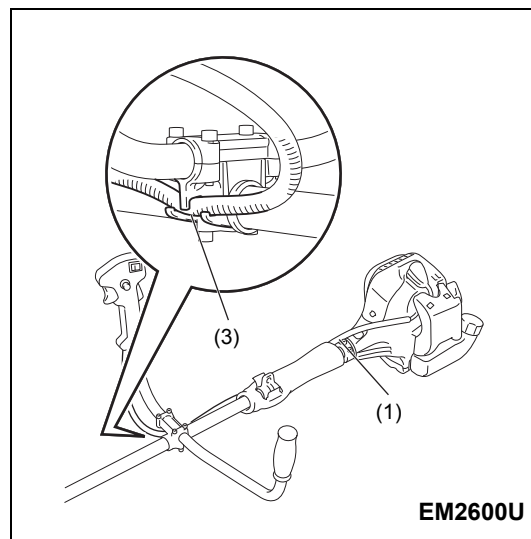
- Posizionare le due impugnature sul supporto dell'impugnatura. La leva di controllo deve essere rivolta verso il lato destro quando l'operatore guarda in direzione dell'utensile da taglio.
- Inserire le estremità delle impugnature sulla scanalatura del supporto dell'impugnatura e fissarvi il morsetto. Serrarle temporaneamente con quattro bulloni per la regolazione.
- Regolare l'angolo delle impugnature, quindi serrare uniformemente tutti i bulloni mediante una chiave esagonale.



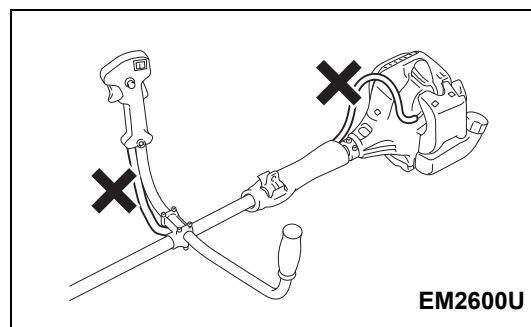
- Posizionare il cavo dell'acceleratore (1) sul lato della leva di controllo dell'albero e avvolgerlo con il cuscinetto imbottito (2).



- Inserire il cavo dell'acceleratore (1) nella fessura di bloccaggio (3) del supporto dell'impugnatura.
- Assicurarsi che il cavo dell'acceleratore sia posizionato come mostrato.
- Azionare la leva di controllo accertandosi che si muova agevolmente.

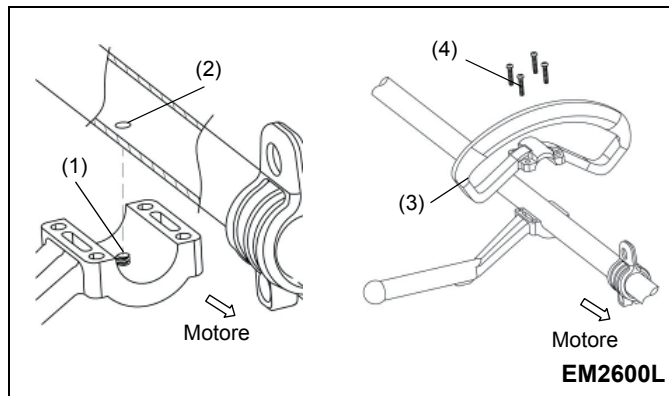


ATTENZIONE: Non posizionare il cavo dell'acceleratore come mostrato. In caso contrario, il cavo curvato potrebbe causare un'elevata velocità al minimo e la lama fuori controllo provocare lesioni personali.



Per il modello con impugnatura ad anello

- Inserire la filettatura (1) del supporto dell'impugnatura nel foro (2) sul tubo.
- Fissare l'impugnatura accessoria (3) sulla barriera.
- Serrare i 4 bulloni (4) M5 x 30.

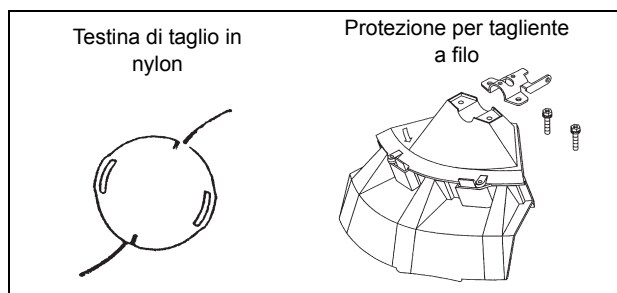
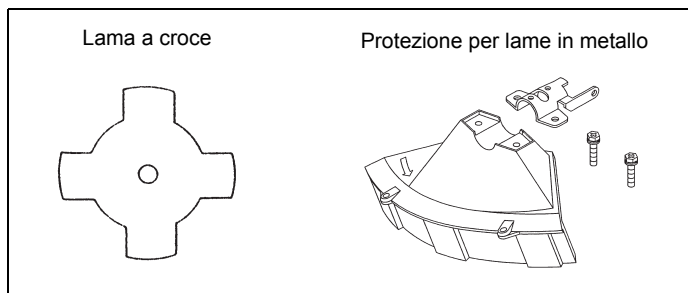


Montaggio della protezione

Per soddisfare gli standard di sicurezza vigenti, occorre usare esclusivamente le combinazioni utensile/protezione indicate nella tabella.

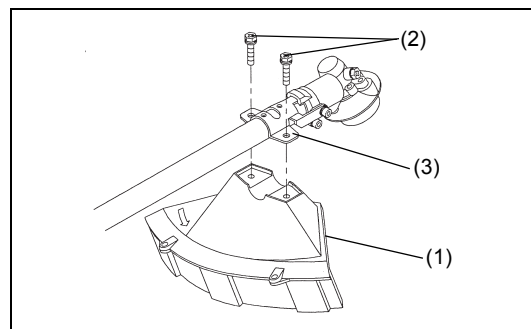
Utilizzare sempre le lame di taglio e le testine di taglio in nylon originali MAKITA.

- La lama di taglio deve essere ben affilata e priva di incrinature o rotture. Se durante il lavoro la lama urta contro una pietra, arrestare il motore e controllare immediatamente la lama.
- Affilare o sostituire la lama di taglio ogni tre ore di utilizzo.
- Se durante l'uso la testina di taglio in nylon colpisce una pietra, spegnere il motore e controllare subito la testina di taglio in nylon.

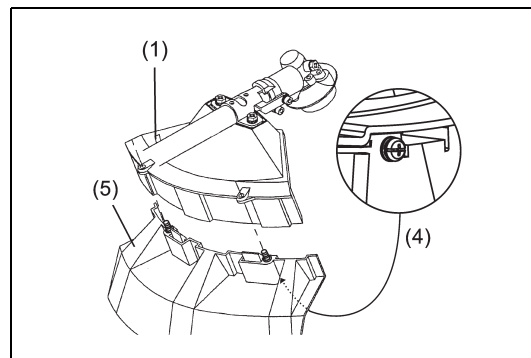


ATTENZIONE: Per la propria sicurezza e per adempiere alle norme sulla prevenzione degli infortuni, occorre che siano sempre installate le protezioni adeguate. È vietato azionare il dispositivo senza che sia installata la protezione.

- Fissare la protezione (1) al morsetto (3) con i due bulloni M6 x 30 (2).



- Utilizzando la testina di taglio in nylon, inserire la protezione (5) nella protezione (1), fissandole con due viti (4).

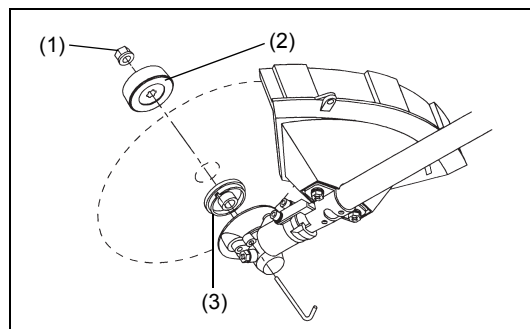


Montaggio della lama/testina di taglio in nylon

La lama di taglio o la testina di taglio in nylon possono essere sostituite facilmente rovesciando innanzitutto l'utensile.



- Inserire la chiave esagonale attraverso il foro nella scatola degli ingranaggi e ruotare la rondella ricevente (3) finché non viene bloccata dalla chiave esagonale.
- Allentare il dado o la rondella a molla (1) (filettato a sinistra) con la chiave a bussola, quindi rimuovere il dado o la rondella a molla (1) e la rondella di fissaggio (2).



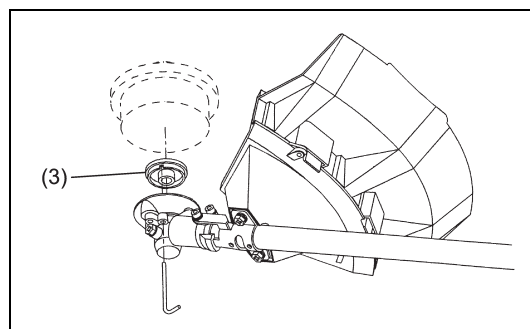
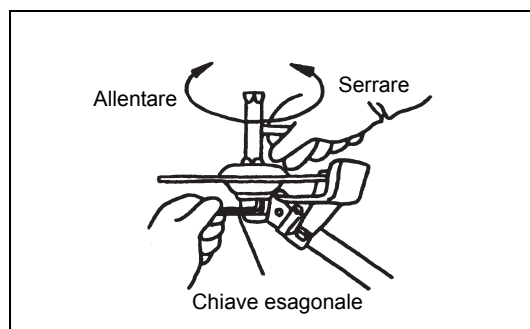
Senza spostare la chiave esagonale

- Montare la lama sull'albero in modo che la guida della rondella ricevente (3) si inserisca nel foro dell'asta nella lama. Installare la rondella di fissaggio (2) e fissare la lama con il dado o la rondella a molla (1).
- [Coppia di serraggio: 13 - 23 N-m]

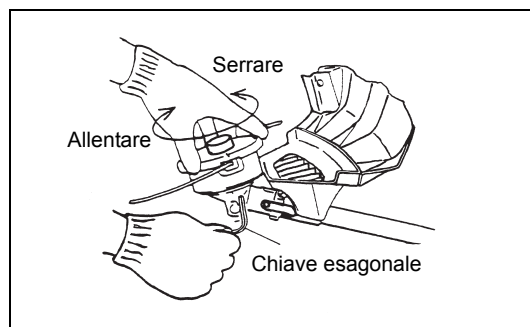
NOTA: Indossare sempre i guanti mentre si maneggia la lama di taglio.

NOTA: Il dado di serraggio della lama (con la rondella a molla) è una parte usurabile. Se sulla rondella a molla compaiono segni di usura o deformazione, sostituire il dado.

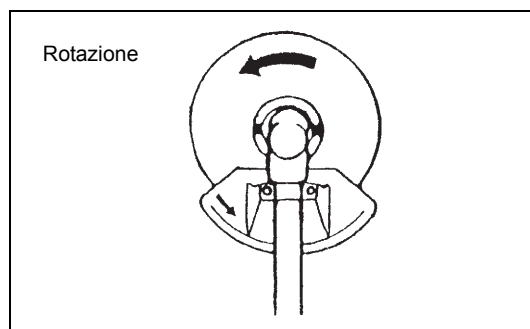
NOTA: La rondella di fissaggio (2) e il dado o la rondella a molla (1) non sono necessari per montare la testina di taglio in nylon. La testina in nylon deve andare sopra la rondella ricevente (3).



- Avvitare la testina di taglio in nylon sull'albero.



- Assicurarsi che la lama ruoti in senso antiorario.



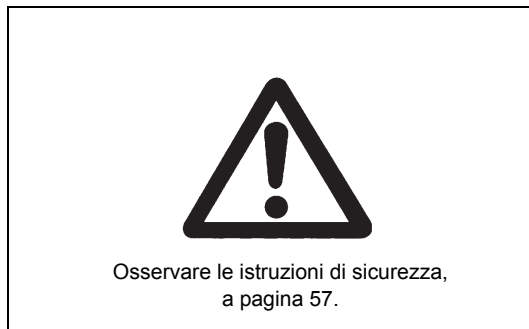


Manipolazione del carburante

Durante la manipolazione del carburante, è necessario prestare la massima attenzione in quanto potrebbe contenere sostanze simili ai solventi. Rifornire in una stanza ben ventilata o all'esterno. Non inalare i vapori del carburante ed evitare il contatto di olio o carburante con la pelle.

I prodotti a base di olio minerale sgrassano la pelle. Un contatto prolungato della pelle con questi prodotti fa sì che quest'ultima diventi estremamente asciutta, determinando vari tipi di malattie della pelle. Inoltre possono verificarsi reazioni allergiche.

Il contatto con l'olio può causare irritazione agli occhi. In caso di contatto dell'olio con gli occhi, lavarli immediatamente con acqua fresca. Se l'irritazione permane, consultare immediatamente un medico.



Miscela di olio e carburante

Il motore del decespugliatore è un motore a due tempi ad alta efficienza. Funziona con una miscela di carburante e olio per motori a due tempi. Il motore è progettato per funzionare con normale carburante senza piombo, con un valore minimo di ottani pari a 91 RON.

Per ottimizzare il rendimento del motore e proteggere la propria salute e l'ambiente, usare solo carburante senza piombo!

Per lubrificare il motore, aggiungere al carburante olio per motori a due tempi (di tipo JASO FC o ISO EGD). Per proteggere l'ambiente, il motore è progettato per usare olio per motori a due tempi in una miscela di proporzione 50:1.

Questo rapporto garantisce inoltre lunga durata, funzionamento affidabile e minima quantità di emissioni. Il funzionamento affidabile del decespugliatore non è garantito qualora non venga rigidamente osservato il rapporto di miscela di 50:1 (con l'olio per motore a 2 tempi indicato).





Rapporto di miscela corretto:

Benzina: Olio per motori a due tempi indicato = 50 : 1 o

Benzina: Olio per motori a due tempi di altri produttori = 25 : 1 consigliato

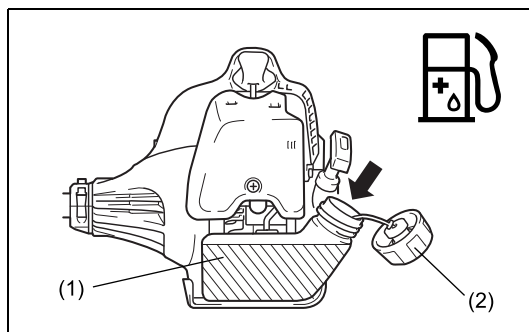
NOTA: Per preparare la miscela olio-carburante, miscelare prima tutta la quantità d'olio con metà della quantità di carburante richiesta, quindi aggiungere il carburante rimanente. Agitare energicamente la miscela prima di versarla nel serbatoio del decespugliatore. Per garantire un funzionamento sicuro, non aggiungere più olio di quanto indicato. Questo avrebbe il solo risultato di aumentare la produzione di residui di combustione che inquinano l'ambiente e ostruiscono il condotto di scarico del cilindro e il tubo di scarico. Inoltre, aumenta il consumo di carburante e diminuiscono le prestazioni.

Benzina	50:1	25:1
	+	
1.000 cm ³ (1 litro)	20 cm ³	40 cm ³
5.000 cm ³ (5 litri)	100 cm ³	200 cm ³
10.000 cm ³ (10 litri)	200 cm ³	400 cm ³

Rifornimento

Il motore deve essere spento.

- Pulire la superficie circostante il tappo del serbatoio (2) per evitare che nel serbatoio (1) possa cadere dello sporco.
- Svitare il tappo del serbatoio (2) e riempire il serbatoio con il carburante.
- Avvitare saldamente il tappo del serbatoio (2).
- Dopo il rifornimento, pulire il tappo a vite (2) e il serbatoio.



Conservazione del carburante

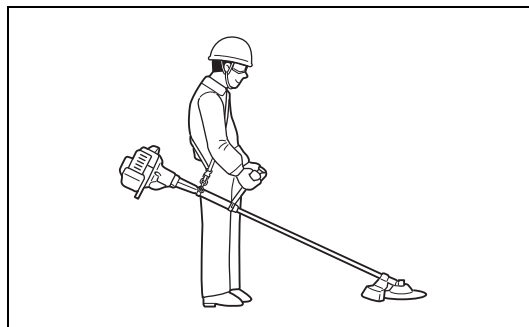
Il carburante non può essere conservato per un tempo illimitato.

Acquistare solo la quantità necessaria per 4 settimane. Usare solo contenitori omologati per la conservazione di carburante.

Manipolazione corretta

Collegamento della cinghia a tracolla

- Regolare la lunghezza della cinghia in modo che la lama sia parallela al terreno.

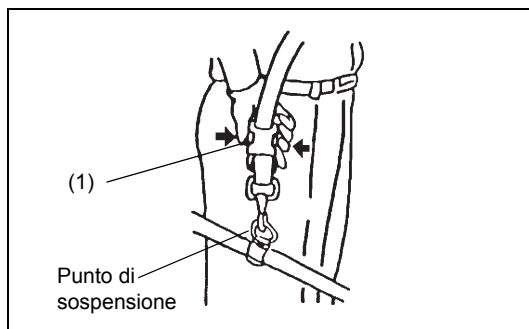


Sganciamento

- In caso di emergenza, premere le tacche (1) su entrambi i lati per staccare il dispositivo.
In tale circostanza occorre essere estremamente attenti a mantenere il controllo del dispositivo. Impedire che il dispositivo venga deviato verso di sé o chiunque si trovi nelle vicinanze.

AVVERTENZA: Perdere completamente il controllo dell'utensile potrebbe essere causa di gravi lesioni o di MORTE.

Nota: In alcuni paesi, la cinghia a tracolla non dispone di questa funzione di sgancio.



Avvertenze importanti/arresto del decespugliatore/rifilatore

Osservare le normative vigenti per la prevenzione degli infortuni.



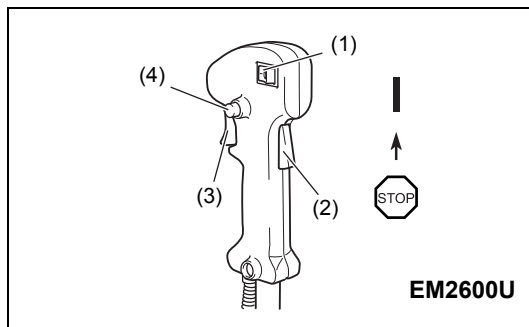
Avviamento

Spostarsi di almeno 3 metri dal punto in cui si è effettuato il rifornimento. Appoggiare il decespugliatore su una zona di terreno libera, avendo cura che l'utensile da taglio non sia a contatto con il terreno o con qualunque altro oggetto.

AVVERTENZA: Fare attenzione all'immediata rotazione dell'utensile da taglio.

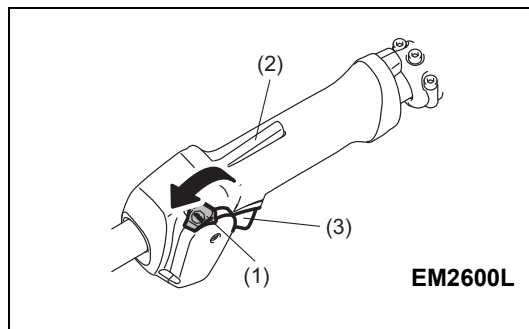
Avviamento a freddo per i modelli con impugnatura a U

- Impostare l'interruttore I-Arresto (on/off) (1) come mostrato.
- Afferrare l'impugnatura (la pressione della mano attiva la leva di sicurezza (2)).
- Tenere premuta la leva dell'acceleratore (3).
- Premere il pulsante di blocco (4) e rilasciare la leva di controllo, quindi rilasciare il pulsante di blocco (il pulsante di blocco mantiene la leva dell'acceleratore nella posizione di avvio).



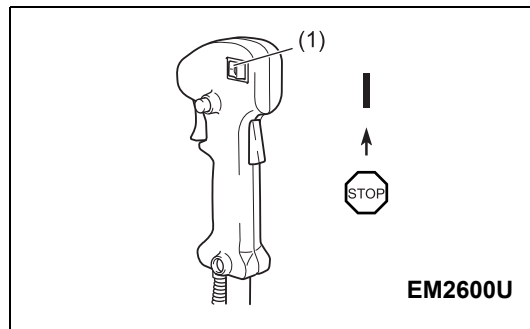
Avviamento a freddo per i modelli con impugnatura ad anello

- Impostare l'interruttore di avviamento/arresto (1) in posizione di avviamento come mostrato.
- Afferrare l'impugnatura (la pressione della mano attiva la leva di sicurezza (2)).
- Tenere premuta la leva dell'acceleratore (3).
- Portare l'interruttore di avviamento/arresto (1) nella posizione di avviamento e rilasciare la leva di controllo, quindi rilasciare l'interruttore di avviamento/arresto (l'interruttore di avviamento/arresto mantiene la leva dell'acceleratore nella posizione di avviamento).



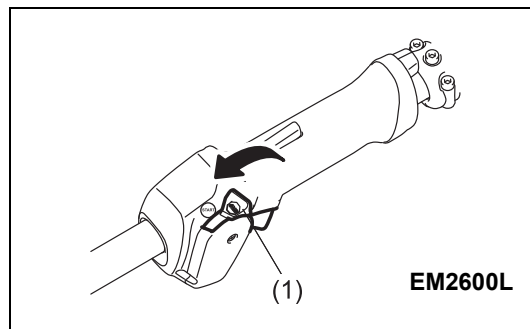
Avviamento a caldo per i modelli con impugnatura a U

- Impostare l'interruttore I-Arresto (on/off) (1) come mostrato.

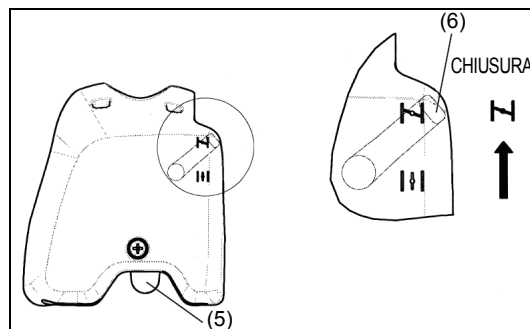


Avviamento a caldo per i modelli con impugnatura ad anello

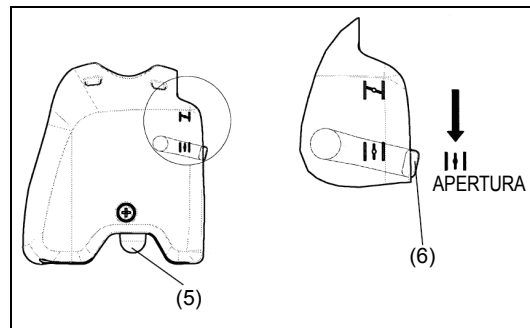
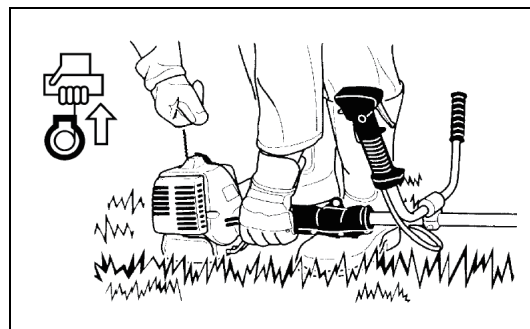
- Impostare l'interruttore di avviamento/arresto (1) in posizione neutra come mostrato.



- Appoggiare prima di tutto il dispositivo a terra.
- Premere delicatamente più volte (7-10 volte) la pompa di innesco (5) finché il carburante non affluisce al suo interno.
- Chiudere la levetta dell'aria (6).
 - Apertura dell'aria:
 - Completamente chiusa a basse temperature o quando il motore è freddo.
 - Parzialmente o completamente aperta per il riavvio quando il motore è ancora tiepido.



- Tenere saldamente la scatola della frizione con la mano sinistra, come mostrato.
- Tirare lentamente la maniglia di avviamento fino ad avvertire resistenza, quindi continuare a tirare con forza.
- Non tirare completamente la corda di avviamento e non permettere che la maniglia di avviamento si ritragga da sola. Mantenere il controllo della corda di avviamento e fare in modo che si riavvolga lentamente.
- Ripetere la procedura fino alle prime accensioni del motore.
- Premere la levetta dell'aria (6) (↓) e tirare di nuovo la corda di avviamento fino alla partenza del motore.
- Appena il motore si avvia, colpire leggermente e rilasciare l'acceleratore, in modo da rilasciare il blocco di mezza potenza e permettere al motore di portarsi al minimo.
- Lasciar girare il motore per circa un minuto a velocità moderata prima di accelerare a fondo.



- NOTA: - Tirando ripetutamente la maniglia di avviamento mentre la levetta dell'aria è in posizione "↓", il motore partirà con più difficoltà a causa di un eccessivo afflusso di carburante.
- In caso di eccessivo afflusso di carburante, rimuovere la candela e tirare lentamente la maniglia di avviamento per eliminare il carburante in eccesso. Asciugare quindi la sezione degli elettrodi della candela.

Precauzioni durante l'uso:

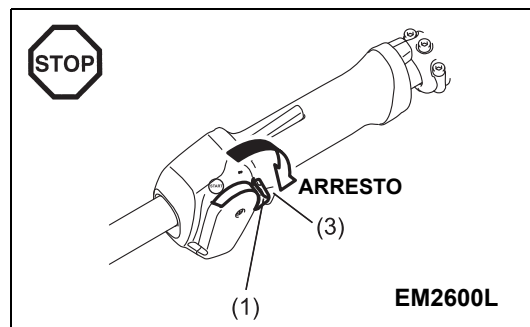
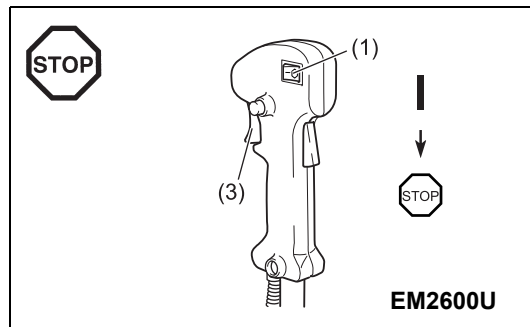
Se la leva dell'acceleratore è completamente aperta durante il funzionamento senza carico, i giri del motore possono raggiungere i 10.000 min⁻¹. Non azionare mai il motore a una velocità superiore a quella necessaria, mantenendo il numero di giri a un valore opportuno, fra i 6.000 e gli 8.000 min⁻¹.

ATTENZIONE: Ridurre sempre il numero di giri quando il dispositivo è privo di carico.

Azionare il dispositivo a un alto numero di giri in assenza di carico ne diminuirà la vita utile.

Arresto

- Per spegnere il motore, rilasciare completamente la leva dell'acceleratore (3) e, quando il numero di giri al minuto si è ridotto, spingere l'interruttore I-Arresto (on/off)/interruttore di avviamento/arresto (1) nella posizione "ARRESTO" (STOP).
- Occorre prestare attenzione al fatto che la testina di taglio potrebbe non fermarsi immediatamente: è necessario lasciarla rallentare e fermare da sola.



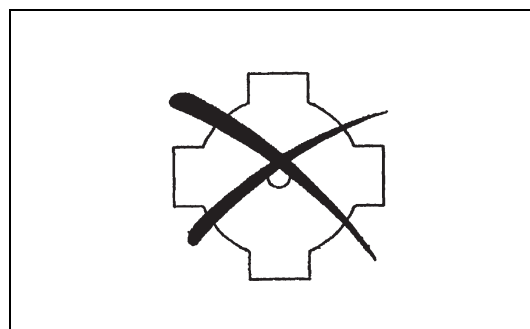
Affilatura dell'utensile da taglio

ATTENZIONE: Gli utensili da taglio sotto elencati devono essere affilati solo da un centro autorizzato. L'affilatura manuale potrebbe provocare uno sbilanciamento dell'utensile da taglio, con conseguenti vibrazioni e danni al dispositivo.

- lama di taglio (lama a croce (4 denti))

Un servizio di affilatura e di equilibratura professionale è fornito dai centri di assistenza autorizzati.

NOTA: Per aumentare la vita utile della lama (a croce), è possibile girarla per permettere l'usura su entrambi i taglienti.



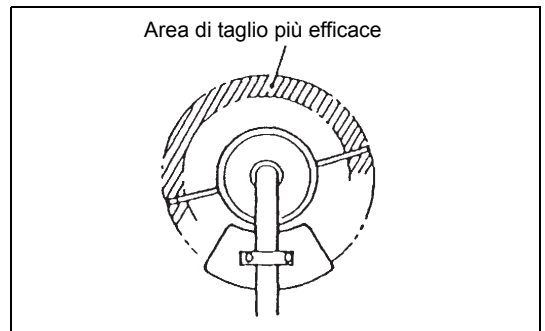
TESTINA DI TAGLIO IN NYLON

La testina di taglio in nylon è una testina tagliabordi a doppio filo con meccanismo "batti e vai".

La testina di taglio in nylon preleva il filo in nylon dopo aver battuto la testina tagliabordi sul suolo.

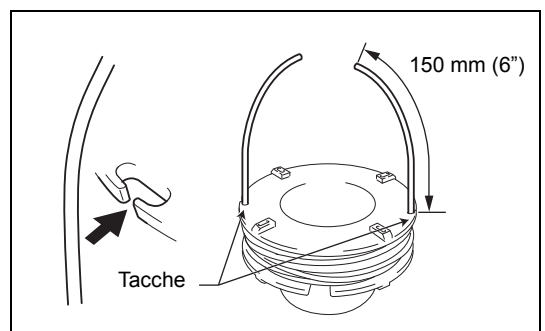
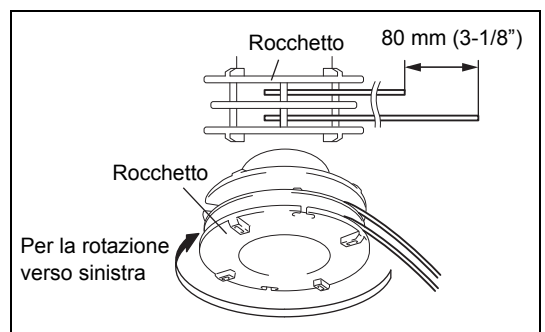
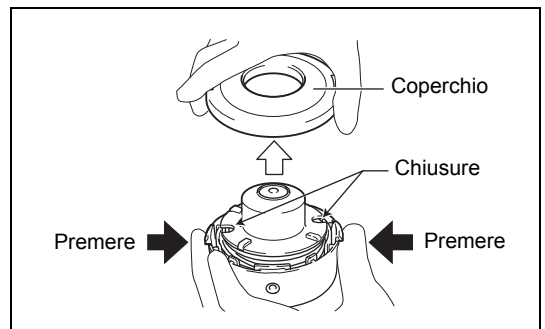
Funzionamento

- L'area di taglio più efficace è mostrata tratteggiata nella figura a fianco.
- Per inserire il filo in nylon, aumentare la velocità della testina di taglio in nylon a circa 6.000 min^{-1} e battere la testina di taglio in nylon leggermente sul suolo.
- Se la testina di taglio in nylon non si estrae mediante la battitura, riavvolgere o sostituire il filo in nylon seguendo le procedure descritte in "Sostituzione del filo in nylon".

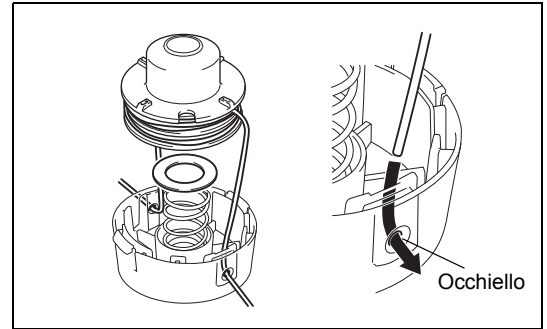


Sostituzione del filo in nylon

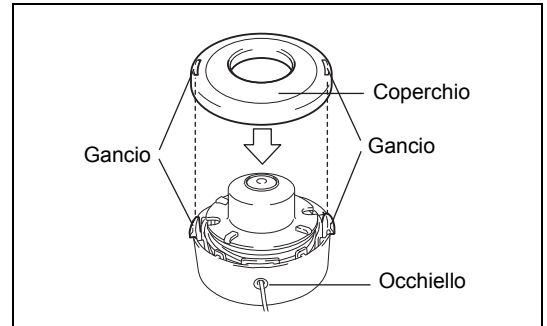
- Arrestare il motore.
- Premere le chiusure dell'alloggiamento verso l'interno per sollevare il coperchio, quindi rimuovere il rocchetto.
- Agganciare il centro di un nuovo filo di nylon nella tacca al centro del rocchetto, in modo che una delle estremità del filo sia più lunga dell'altra di circa 80 mm. Quindi avvolgere strettamente entrambe le estremità attorno al rocchetto, nella direzione di rotazione della testina (le indicazioni LH ed RH sul fianco del rocchetto indicano la rotazione rispettivamente a sinistra e a destra).
- Avvolgere circa 150 mm di filo attorno al rocchetto, lasciando temporaneamente le estremità agganciate alla tacca sul fianco del rocchetto.



- Inserire i fili attraverso gli occhielli per farli uscire dall'alloggiamento. Montare la rondella, la molla e il rocchetto sull'alloggiamento.



- Allineare i ganci sul coperchio e sull'alloggiamento. Premere quindi il coperchio sull'alloggiamento per fissarlo.



Istruzioni di manutenzione

Istruzioni di manutenzione

ATTENZIONE: Prima di effettuare qualunque operazione di manutenzione sul decespugliatore, spegnere sempre il motore e scollegare il coperchio dalla candela (vedere "Controllo della candela"). Indossare sempre i guanti di protezione.

ATTENZIONE: Non sostituire mai da soli l'avviatore. Questo potrebbe essere causa di infortuni. Questa procedura deve essere effettuata solo da un centro di assistenza autorizzato.

Per garantire una lunga vita utile ed evitare danni al dispositivo, effettuare periodicamente le seguenti operazioni di manutenzione.

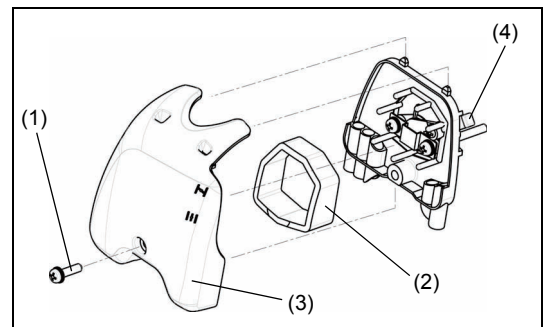
Controllo e manutenzione giornalieri

- Prima dell'uso, controllare il dispositivo alla ricerca di viti allentate o parti mancanti. Prestare particolare attenzione alla tenuta della lama o della testina di taglio in nylon.
- Prima dell'uso, verificare sempre che il condotto per l'aria di raffreddamento e le alette del cilindro non siano ostruiti. Pulirli se necessario.
- Le seguenti operazioni di manutenzione devono essere effettuate giornalmente dopo l'uso:
 - Pulire esternamente il decespugliatore e controllare la presenza di danni.
 - Pulire il filtro dell'aria. Se l'uso avviene in ambienti particolarmente polverosi, pulire il filtro più volte al giorno.
 - Controllare eventuali danni alla lama o alla testina di taglio in nylon e verificare che siano montati saldamente.
 - Controllare che vi sia una differenza sufficiente fra il minimo e la velocità di lavoro per fare in modo che l'utensile da taglio sia fermo quando il motore è al minimo (se necessario ridurre la velocità di minimo).
Se l'utensile da taglio continua a girare quando il motore è al minimo, consultare il più vicino centro di assistenza autorizzato.
- Controllare che l'interruttore I-Arresto (on/off)/interruttore di avviamento/arresto, la leva di sicurezza, la leva di controllo e il pulsante di blocco funzionino correttamente.



Pulizia del filtro dell'aria

- Ruotare la levetta dell'aria (4) in modo che sia completamente chiusa e tenere il carburatore lontano da polvere o sporco.
- Rimuovere la vite (1).
- Rimuovere il coperchio del filtro dell'aria (3).
- Rimuovere l'elemento a spugna (2), lavarlo in acqua tiepida e asciugarlo con cura.
- Dopo la pulizia, inserire di nuovo il coperchio del filtro dell'aria (3) e fissarlo con la vite (1).

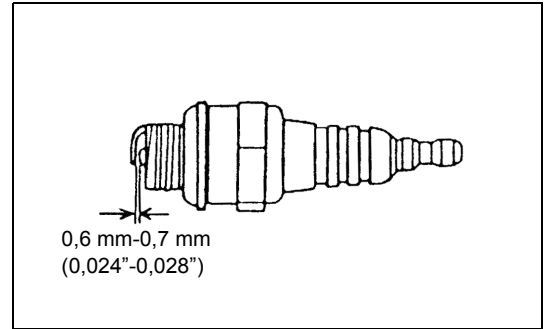


NOTA: Se sul filtro dell'aria si deposita una quantità eccessiva di polvere o di sporcizia, pulirlo quotidianamente. Il filtro dell'aria otturato può rendere difficile o impossibile avviare il motore o aumentare la velocità di rotazione del motore.

Controllo della candela

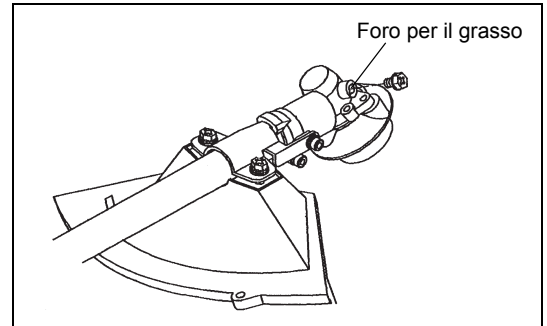
- Usare esclusivamente la chiave universale in dotazione per rimuovere o montare la candela.
- Lo spazio fra i due elettrodi della candela deve essere compreso tra 0,6-0,7 mm. Se la distanza è superiore o inferiore a questo intervallo, è necessario regolarla. Se la candela è ostruita da fuliggine o sporco, pulirla accuratamente o sostituirla.

ATTENZIONE: Non toccare mai il cavo della candela mentre il motore è in moto (pericolo di scossa elettrica ad alta tensione).



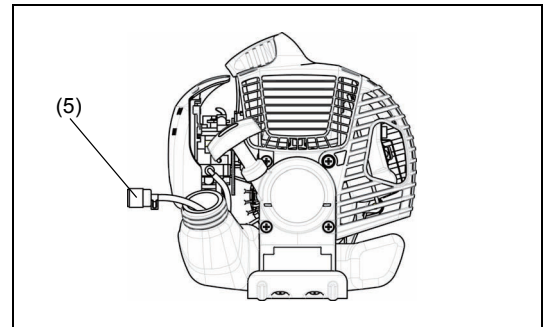
Ingrassaggio della scatola degli ingranaggi

- Inserire del grasso (Shell Alvania 2 o equivalente) nella scatola degli ingranaggi attraverso l'apposito foro per il grasso ogni 30 ore. (Il grasso originale MAKITA può essere acquistato dal rivenditore MAKITA.)



Testina di aspirazione nel serbatoio del carburante

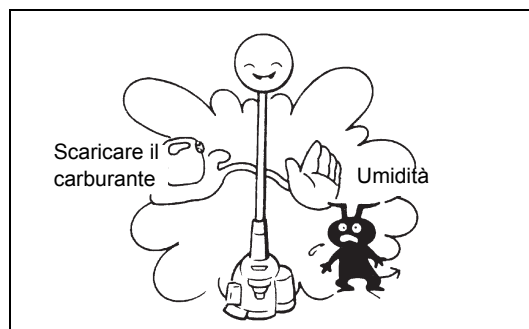
- Il filtro del carburante (5) della testa aspirante è utilizzato per fornire il carburante richiesto dal carburatore.
- Verificare visivamente il filtro del carburante a intervalli regolari. Per verificare il filtro, aprire il tappo del serbatoio del carburante e, usando un gancio metallico, estrarre la testa aspirante attraverso l'apertura. Sostituire il filtro nel caso in cui si sia indurito o sia particolarmente sporco oppure otturato.
- Un afflusso insufficiente di carburante potrebbe portare al superamento della velocità massima consentita. Di conseguenza, il filtro del carburante deve essere sostituito almeno ogni trimestre per garantire un afflusso corretto di carburante al carburatore.



Ogni attività di manutenzione o di regolazione non descritta in questo manuale deve essere effettuata esclusivamente da un centro di assistenza autorizzato.

Stoccaggio

- Quando si ripone il dispositivo per un lungo periodo di tempo, svuotare tutto il carburante dal serbatoio e dal carburatore. Per far questo, scaricare semplicemente tutto il carburante contenuto nel serbatoio. Smaltire il carburante raccolto secondo le leggi locali.
- Rimuovere la candela e aggiungere alcune gocce d'olio nel foro della candela. Quindi tirare delicatamente l'avviamento in modo che l'olio ricopra l'interno del motore e riavvitare la candela.
- Rimuovere ogni traccia di sporco o di polvere dalla lama e dall'esterno del motore, passando su di essi un panno cosparso d'olio. Riporre il dispositivo in un luogo asciutto.



Programma di manutenzione

Generale	Montaggio del motore, viti e dadi	Verifica visiva dei danni e del fissaggio Controllo delle condizioni generali e della sicurezza
Dopo ogni rifornimento	Leva di controllo Interruttore I-Arresto (on/off)/ Interruttore di avviamento/arresto	Controllo funzionale Controllo funzionale
Ogni giorno	Filtro dell'aria Condotto dell'aria di raffreddamento Utensile da taglio Velocità al minimo	Da pulire Da pulire Controllare danni e affilatura Ispezione (l'utensile da taglio non si deve muovere)
Ogni settimana	Candela Marmitta	Ispezione, sostituire se necessario Ispezione, pulire l'apertura se necessario
Ogni tre mesi	Testina di aspirazione Serbatoio del carburante	Da sostituire Da pulire
Procedura di spegnimento	Serbatoio del carburante Carburatore	Svuotare il serbatoio del carburante Farlo funzionare finché il motore non finisce il carburante

Risoluzione dei problemi

Guasto	Sistema	Osservazione	Causa
Il motore non parte o parte con difficoltà	Sistema di accensione	Scintilla di accensione presente	Guasto nell'alimentazione del carburante o nel sistema di compressione, difetto meccanico
		Nessuna scintilla di accensione	Azionamento dell'interruttore I-Arresto (on/off)/ interruttore di avviamento/arresto, problema di cavi o corto circuito, candela o cavo della candela difettosi, modulo di accensione guasto
	Alimentazione del carburante	Serbatoio del carburante pieno	Posizione dell'aria non corretta, carburatore guasto, linea di alimentazione piegata o bloccata, carburante sporco
Problemi nell'avviamento a caldo	Compressione	Compressione assente all'avvio	Guarnizione inferiore del cilindro difettosa, guarnizioni dell'albero motore danneggiate, anelli del cilindro o del pistone difettosi, tenuta difettosa della candela
	Guasto meccanico	Avviamento non innestato	Rottura della molla di avviamento, parti danneggiate all'interno del motore
Il motore si avvia ma si spegne immediatamente	Alimentazione del carburante	Serbatoio pieno. Scintilla di accensione presente	Carburatore sporco, occorre pulirlo
Prestazioni insufficienti	Possono essere interessati più sistemi contemporaneamente	Serbatoio pieno	Regolazione del minimo errata, carburatore contaminato
		Minimo del motore insoddisfacente	Apertura del serbatoio del carburante difettosa, linea di alimentazione del carburante interrotta, cavo o interruttore I-Arresto (on/off)/interruttore di avviamento/arresto difettosi
			Filtro dell'aria contaminato, carburatore contaminato, marmitta intasata, condotto di scarico nel cilindro intasato

Hartelijk dank voor uw aankoop van deze bosmaaier/graskantmaaier van MAKITA. Bosmaaiers/graskantmaaiers van MAKITA zijn ontwikkeld als producten van onze jarenlange kennis, ervaring en een gedetailleerd ontwikkelingsprogramma.

Lees deze handleiding grondig door zodat u zeker bent dat u kunt genieten van de best mogelijke prestaties en resultaten die uw bosmaaier/graskantmaaier van MAKITA u kunnen bieden.



Inhoudsopgave	Pagina
Symbolen	74
Veiligheidsinstructies.....	75
Technische gegevens	79
Namen van onderdelen.....	80
De handgreep monteren	81
De beschermkap monteren.....	82
Het snijblad of de nyloodraad-snijkop monteren.....	83
Brandstof en brandstof bijvullen.....	84
Correcte hantering	85
Belangrijke bedieningspunten/de maaier stoppen	85
Het snijgereedschap slijpen.....	87
Onderhoudsinstructies	89
Bewaren.....	91

Symbolen

Let op de volgende symbolen wanneer u de gebruiksaanwijzing leest.

	Lees de gebruiksaanwijzing		Draag oog- en gehoorbescherming (alleen voor graskantmaaier)
	Besteed bijzondere zorg en aandacht		Draag een veiligheidshelm, oog- en oorbescherming (alleen voor bosmaaier)
	Verboden		Gebruik geen metalen snijbladen (alleen voor graskantmaaier)
	Houd afstand		Maximale toegelaten snelheid gereedschap
	Gevaar voor rondvliegende objecten		Warme oppervlakken - veroorzaakt brandwonden aan vingers en handen
	Verboden te roken		Benzine-oliemengsel
	Geen open vuur		Motor handmatig starten
	Veiligheidshandschoenen vereist		Noodstop
	Terugslag		EHBO
	Houd mensen en dieren weg van het gebruiksgebied		AAN/START
	Draag stevige schoenen met antislipzolen. Veiligheidsschoenen met stalen neuzen zijn aanbevolen.		UIT/STOP
			START

Veiligheidsinstructies

Algemene instructies

- Om een correcte werking te garanderen, moet u ervoor zorgen dat u deze handleiding volledig hebt gelezen en begrijpt zodat u vertrouwd raakt met het gebruik van de bosmaaier/graskantmaaier. Als u dit gereedschap gebruikt zonder te begrijpen hoe u het correct moet bedienen, kan dit ernstige letsels veroorzaken bij u of anderen.
- Leen de bosmaaier/graskantmaaier alleen uit aan mensen die bewezen ervaring hebben met bosmaaiers/graskantmaaiers. Leen hen tegelijkertijd ook deze gebruiksaanwijzing.
- Als dit de eerste keer is dat u een door een motor aangedreven maaier gebruikt, raadpleeg dan uw leverancier voor basisinstructies.
- Laat geen kinderen of jongeren die jonger zijn dan 18 jaar met de bosmaaier/graskantmaaier werken. Jongeren die ouder zijn dan 16 jaar mogen het gereedschap gebruiken om te oefenen, maar dan alleen onder toezicht van een gekwalificeerde begeleider.
- Gebruik bosmaaiers/graskantmaaiers met bijzondere zorg en aandacht.
- Gebruik de bosmaaier/graskantmaaier alleen als u in goede lichamelijke conditie bent. Werk altijd rustig en voorzichtig. Gebruikers zijn verantwoordelijk voor degenen rondom hen.
- Gebruik nooit de bosmaaier/graskantmaaier nadat u alcohol of geneesmiddelen hebt gebruikt of als u zich moe of ziek voelt.

WAARSCHUWING: Dit gereedschap produceert tijdens gebruik een elektromagnetisch veld. Onder bepaalde omstandigheden kan dit veld de werking van actieve of passieve medische implantaten hinderen. Om het risico van ernstig persoonlijk en fataal letsel te verminderen, adviseren wij personen met medische implantaten hun arts en de fabrikant van het implantaat te raadplegen alvorens dit gereedschap te bedienen.

Bedoeld gebruik van het gereedschap

- De bosmaaier/graskantmaaier is alleen bedoeld voor het maaien van gras, onkruid, struiken en andere ondergroei. Het mag niet worden gebruikt voor andere doeleinden zoals het snoeien van heggen en hagen, anders kan dit letsels veroorzaken.

Persoonlijke-veiligheidsuitrusting

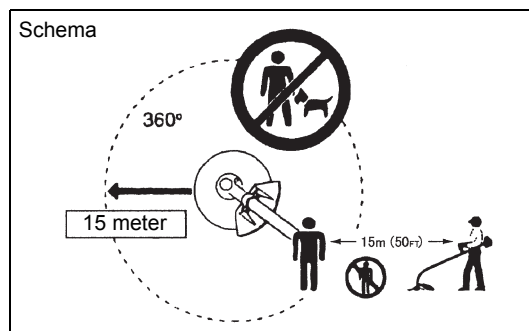
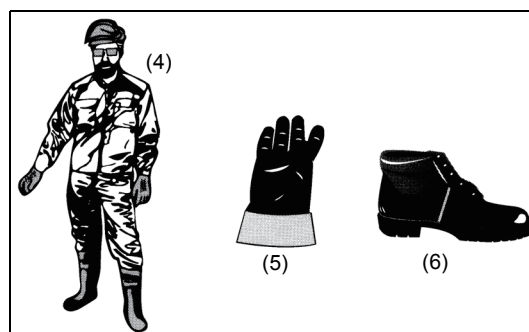
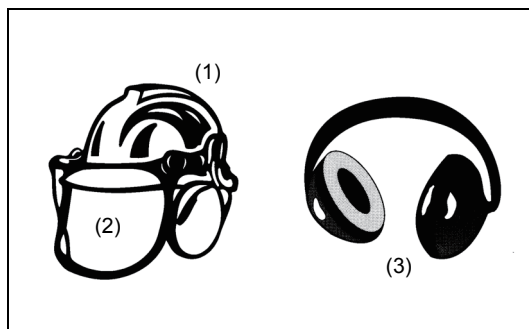
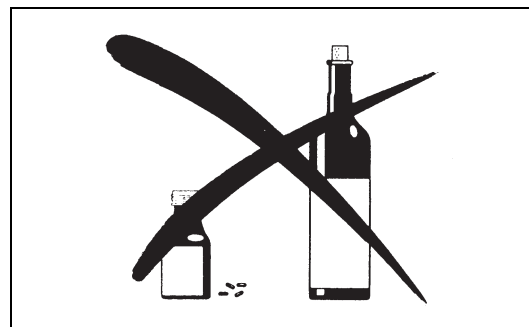
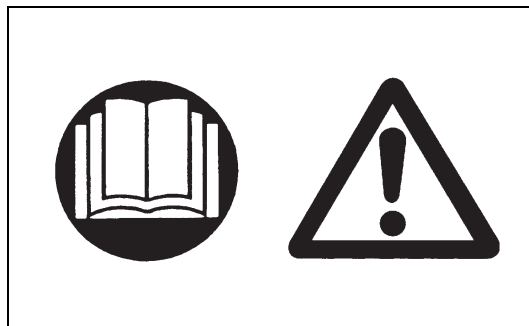
- Draag altijd kleding die zowel functioneel als geschikt is voor uw werk, bijv. nauwsluitende kleding die echter niet zo krap zit dat u gehinderd wordt in uw bewegingen. Draag geen juwelen of kleding die in de struiken verstrikt kunnen raken.
- Om letsels aan het hoofd, de ogen, handen of voeten te voorkomen en uw gehoor te beschermen tijdens het gebruik, moet de volgende beschermende uitrusting en kleding worden gebruikt terwijl u de bosmaaier/graskantmaaier bedient.
- Draag altijd een helm wanneer het risico bestaat op vallende objecten. U moet de veiligheidshelm (1) regelmatig controleren op schade en deze uiterlijk na 5 jaar vervangen. Gebruik alleen goedgekeurde veiligheidshelmen.
- Het spatscherm (2) van de helm (of de veiligheidsbril) beschermt het gezicht tegen rondvliegend afval en stenen. Draag altijd een veiligheidsbril of een spatscherm wanneer u de bosmaaier/graskantmaaier gebruikt om oogletsels te voorkomen.
- Draag geschikte uitrusting om u te beschermen tegen het lawaai en om gehoorbeschadiging te voorkomen (oorbeschermers (3), oordopjes, enz.).
- Werkoveralls (4) beschermen tegen rondvliegend afval en opspringende stenen. Wij raden u sterk aan een werkoverall te dragen.
- Speciale handschoenen (5) van dik leer maken deel uit van de voorgeschreven uitrusting en moeten altijd worden gedragen tijdens het gebruik van de bosmaaier/graskantmaaier.
- Draag altijd stevige schoenen (6) met een antislipzool wanneer u de bosmaaier/graskantmaaier gebruikt. Dergelijke schoenen beschermen u tegen letsels en bieden een stevige stand.

Overige risico's

- Zelfs wanneer het gereedschap wordt gebruikt zoals beschreven, is het niet mogelijk om alle overige risicofactoren uit te sluiten. De volgende gevaren kunnen zich voordoen met betrekking tot de constructie en het ontwerp van het gereedschap:
 1. Schade aan de longen als geen effectief stofmasker wordt gedragen.
 2. Schade aan het gehoor als geen effectieve gehoorbescherming wordt gedragen.
 3. Schade aan de gezondheid als gevolg van trillingen voortgebracht door het gereedschap in het geval dit gedurende een langere tijdsduur wordt gebruikt, of niet goed wordt behandeld of niet correct wordt onderhouden.

De bosmaaier starten

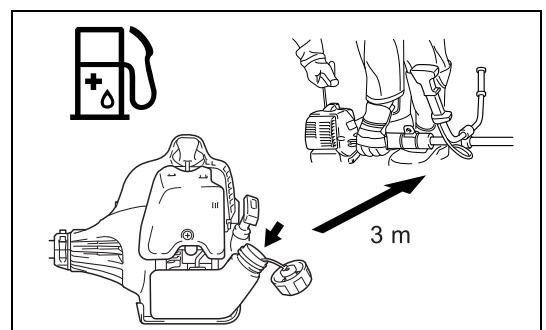
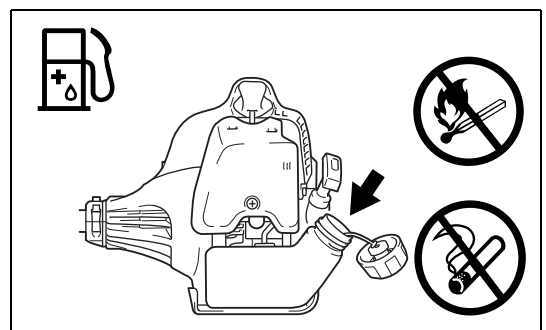
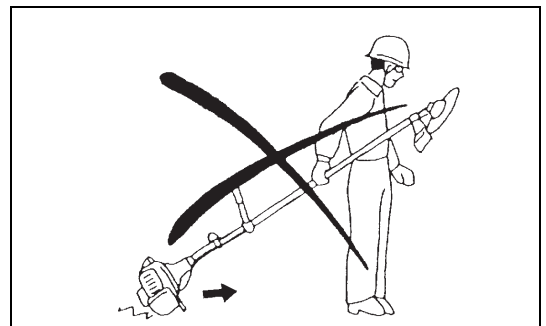
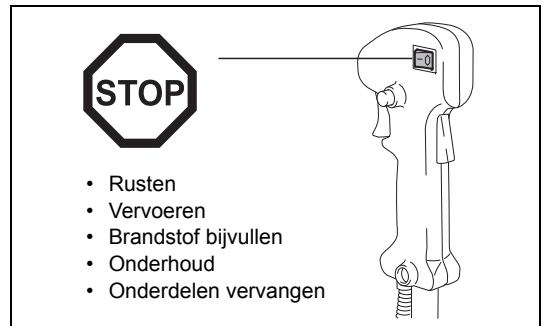
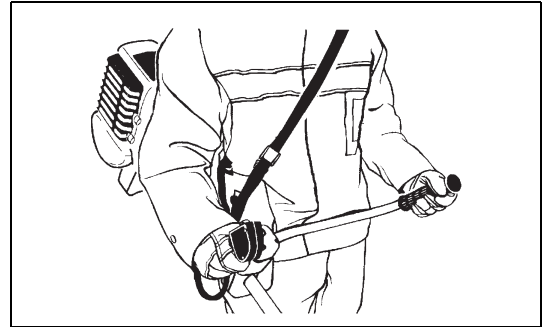
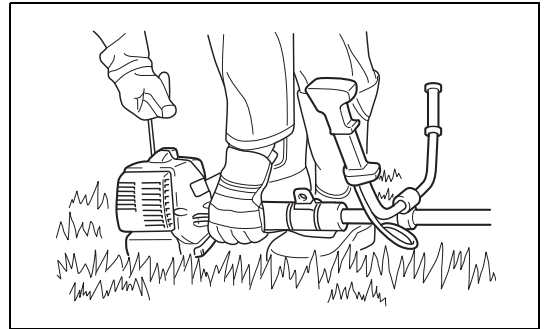
- Controleer of er geen kinderen of andere mensen aanwezig zijn binnen een werkbereik van 15 meter en let ook op of er geen dieren in de werkomgeving zijn.
- Controleer vóór het gebruik altijd of de bosmaaier/graskantmaaier veilig is voor gebruik:
Controleer of het snijgarnituur is beveiligd, of de gashendel gemakkelijk kan worden bediend, en of de vergrendeling van de gashendel correct werkt.
- Het snijgarnituur mag niet draaien tijdens het stationair draaien. Raadpleeg uw dealer als u denkt dat het gereedschap moet worden afgesteld. Controleer of de handgrepen schoon en droog zijn, en test de werking van de stopschakelaar.



- Start de bosmaaier/graskantmaaier alleen in overeenstemming met de instructies. Gebruik geen enkele andere methode om de motor te starten!
- Gebruik de bosmaaier/graskantmaaier en de onderdelen alleen voor de opgegeven doeleinden.
- Start de motor van de bosmaaier/graskantmaaier alleen nadat het gereedschap volledig is gemonteerd. Gebruik het gereedschap niet voordat alle benodigde accessoires zijn bevestigd!
- Zorg ervoor dat het snijgarnituur voor de start geen met harde objecten, zoals takken, stenen, enz., raakt, omdat het snijgarnituur zal gaan draaien bij het starten.
- Schakel de motor onmiddellijk uit als zich enig motorprobleem voordoet.
- Als het snijgarnituur stenen of andere harde voorwerpen raakt, moet u de motor onmiddellijk uitschakelen en het snijgarnituur controleren.
- Controleer het snijgarnituur met korte tussenpozen op schade (inspecteren op haarscheurtjes met de klopgeluidentest).
- Gebruik de bosmaaier/graskantmaaier pas nadat u de schouderriem hebt bevestigd en op de juiste lengte hebt afgesteld. De schouderriem moet worden afgesteld volgens de lengte van de gebruiker en worden vastgemaakt om vermoeidheid tijdens het gebruik van het gereedschap te voorkomen. Houd de maaier nooit met slechts één hand vast tijdens het gebruik.
- Houd de bosmaaier/graskantmaaier altijd met beide handen vast tijdens het gebruik. Zorg dat u altijd een veilig steunpunt voor uw voeten hebt.
- Gebruik de bosmaaier/graskantmaaier zo, dat u geen uitlaatgassen kunt inademen. Laat de motor nooit draaien in een gesloten vertrek (risico van gasvergiftiging). Koolmonoxide is een reukloos gas.
- Schakel de motor altijd uit wanneer u rust of als u de bosmaaier/graskantmaaier onbewaakt wilt achterlaten. Plaats het gereedschap op een veilige locatie om lichamelijke letsels of schade aan het gereedschap te voorkomen.
- Leg nooit een warme bosmaaier/graskantmaaier op droog gras of andere ontvlambare materialen.
- Het snijgarnituur moet altijd met de geschikte beschermkap zijn uitgerust. Gebruik de maaier nooit zonder deze beschermkap.
- De hele veiligheidsuitrusting en alle beschermkappen die bij het gereedschap zijn geleverd, moeten tijdens het werk worden gebruikt.
- Gebruik de motor nooit als de uitlaatdemper defect is.
- Schakel de motor uit tijdens het vervoer.
- Wanneer u het gereedschap vervoert, bevestigt u altijd de beschermkap op het snijblad.
- Zorg dat de bosmaaier/graskantmaaier veilig is vastgemaakt tijdens het vervoer om lekkage van de brandstof te vermijden.
- Wanneer u de bosmaaier/graskantmaaier vervoert, moet u ervoor zorgen dat de brandstoftank volledig leeg is.
- Wanneer u de bosmaaier/graskantmaaier uit een vrachtwagen of een ander voertuig haalt, moet u ervoor zorgen dat u de motor niet op de grond laat vallen omdat de brandstoftank hierdoor ernstige schade kan oplopen.
- Behalve in noodgevallen mag u de bosmaaier/graskantmaaier nooit laten vallen of op de grond gooien omdat dit ernstige schade aan de bosmaaier/graskantmaaier kan veroorzaken.
- Til altijd het volledige gereedschap van de grond wanneer u het verplaatst. Het slepen van het apparaat op zijn brandstoftank is bijzonder gevaarlijk en kan lekkage van brandstof veroorzaken, waardoor brand kan ontstaan.
- Nadat tegen het gereedschap is gestoten of het is gevallen, controleert u de conditie van het gereedschap voordat u de werkzaamheden hervat. Controleer het brandstofsysteem op brandstoflekkage, en de bedieningselementen en veiligheidsvoorzieningen op een juiste werking. Als enige beschadiging zichtbaar is of u twijfelt, vraagt u ons erkende servicecentrum om inspectie en reparatie.

Brandstof bijvullen

- Schakel de motor uit tijdens het bijvullen van brandstof, houd het gereedschap uit de buurt van open vuur en rook niet.
- Zorg dat de aardolieproducten niet in contact komen met de huid. Adem de brandstofdampen niet in. Draag altijd veiligheidshandschoenen tijdens het bijvullen van de brandstof. Zorg dat u de beschermende kleding regelmatig vervangt en reinigt.
- Zorg dat u geen brandstof of olie op de grond morst om bodemverontreiniging (milieubescherming) te voorkomen. Als u brandstof morst, moet u de bosmaaier/graskantmaaier onmiddellijk schoonmaken.
- Zorg dat de brandstof niet in contact komt met uw kleding. Als de brandstof in contact komt met uw kleding, moet u onmiddellijk andere kleding aantrekken om brand te voorkomen.
- Inspecteer de brandstofvuldop regelmatig om zeker te zijn dat de dop stevig kan worden aangedraaid en niet lekt.
- Draai de dop van de brandstoftank stevig dicht. Wanneer u klaar bent met het bijvullen van brandstof, moet u naar een locatie gaan op minstens 3 meter afstand van de plaats waar u hebt getankt voordat u de motor start.



- Vul nooit brandstof bij in een gesloten vertrek, zoals in een kamer. Dit kan een ontploffing veroorzaken door de accumulatie van brandstofdampen op grondniveau.
- Vervoer en bewaar brandstof alleen in goedgekeurde tanks. Zorg dat de opgeslagen brandstof niet toegankelijk is voor kinderen.

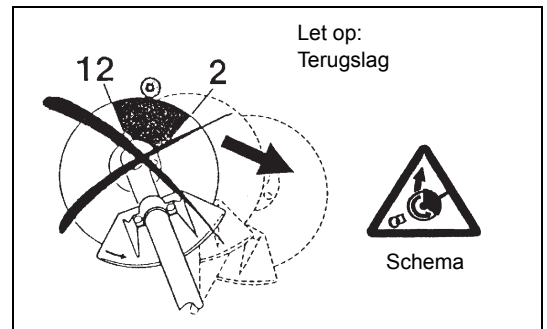
Gebruiksmethode

- Gebruik de bosmaaier/graskantmaaier alleen bij een goede verlichting en zichtbaarheid. Let in het winterseizoen op voor gladde of natte gebieden, zoals met ijs of sneeuw bedekte gebieden (risico op uitglijden). Zorg dat u altijd een veilig steunpunt voor uw voeten hebt.
- Maai nooit boven heuphoogte.
- Sta nooit op een ladder terwijl u de bosmaaier/graskantmaaier gebruikt.
- Klim nooit in bomen terwijl u de bosmaaier/graskantmaaier gebruikt.
- Werk nooit op een instabiele ondergrond.
- Verwijder zand, stenen, nagels, enz. die u binnen uw werkbereik vindt. Vreemde voorwerpen kunnen het snijgarnituur beschadigen en gevaarlijke terugslag veroorzaken.
- Voordat u begint te maaien, moet u controleren of het snijgarnituur op maximaal toerental draait.
- Als gras of takken bekneld raken tussen het snijgarnituur en de beschermkap, zet u altijd de motor uit voordat u ze verwijdert. Anders kan door onbedoeld draaien van het snijgarnituur ernstig letsel ontstaan.
- Neem een pauze om te voorkomen dat u door vermoeidheid de controle over het gereedschap verliest. Wij adviseren u ieder uur 10 tot 20 minuten te rusten.



Terugslag (stoot van het snijblad)

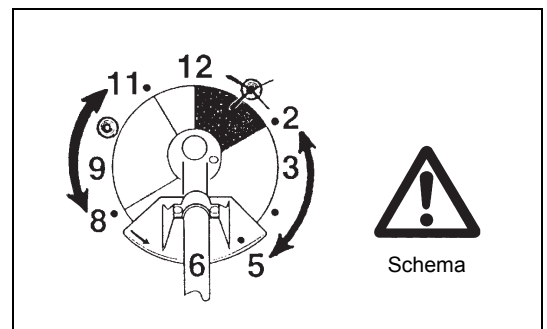
- Wanneer u de bosmaaier gebruikt, kunnen ongecontroleerde terugslagen optreden.
- Terugslagen komen vaak voor wanneer u probeert te maaien binnen het snijbladsegment tussen 12 en 2 uur.
- Gebruik nooit het snijbladsegment tussen 12 en 2 uur van de bosmaaier.
- Raak met dit snijbladsegment van de bosmaaier nooit vaste voorwerpen, zoals struiken, bomen, enz., met een diameter groter dan 3 cm. Hierdoor kan de bosmaaier met grote kracht worden weggegooid, wat zeer gevaarlijk is en letsels kan veroorzaken.



Terugslag voorkomen

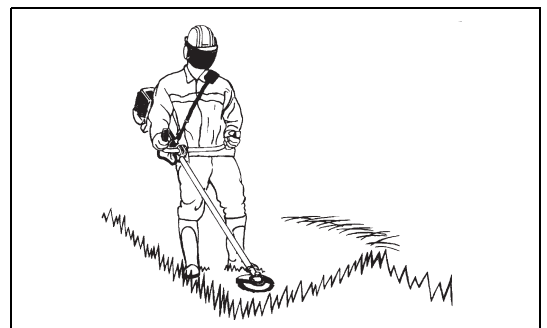
Onthoud het volgende om terugslag te voorkomen:

- Het gebruik van het snijbladsegment tussen 12 en 2 uur is bijzonder gevaarlijk, vooral wanneer u een metalen snijgarnituur gebruikt.
 - Maaien met het snijbladsegment tussen 11 en 12 uur en tussen 2 en 5 uur mag alleen worden uitgevoerd door opgeleide en ervaren gebruikers, en dit alleen op eigen risico.
- Het optimale snijbladsegment om gemakkelijk te maaien met nagenoeg geen terugslag, is het snijbladsegment tussen 8 en 11 uur.



Snijgarnituren

- Gebruik een geschikt snijgarnituur voor de geplande werkzaamheden. Nylondraad-snijkoppen (graskantmaaierkoppen) zijn geschikt voor het maaien van gazon gras. Metalen snijbladen zijn geschikt voor het maaien van onkruid, hoog gras, struiken, heesters, kreupelhout, ondergroei, enz. Gebruik nooit andere messenbladen, waaronder metalen meerdelige kettingen en vlegelmessen. Als u zich hier niet aan houdt, kan ernstig letsel ontstaan.
- Vermijd bij gebruik van metalen snijbladen het optreden van “terugslag” en wees altijd voorbereid op per ongeluk terugslaan. Zie de tekstdelen “Terugslag” en “Terugslag voorkomen”.



Onderhoudsinstructies

- Laat uw gereedschap onderhouden door ons erkende servicecentrum dat altijd uitsluitend gebruikmaakt van originele vervangingsonderdelen. Onjuiste reparatie en slecht onderhoud kan de levensduur van het gereedschap verkorten en de kans op ongevallen vergroten.
- Controleer altijd de toestand van de maaier, vooral de beschermende uitrusting en de schouderriem, voordat u begint te werken. Besteed bijzondere aandacht aan de snijbladen die correct moeten worden geslepen.
- Schakel de motor uit en verwijder de bougie wanneer u de snijgarnituren vervangt of slijpt en wanneer u de maaier of het snijgarnituur schoonmaakt.

Probeer nooit beschadigde snijgereedschappen recht te trekken of te lassen.

- Gebruik de bosmaaier/graskantmaaier met zo weinig mogelijk lawaai en vervuiling. Controleer vooral of de carburateur correct is afgesteld.
- Maak de bosmaaier/graskantmaaier regelmatig schoon en controleer of alle schroeven en moeren stevig zijn vastgemaakt.
- Onderhoud of bewaar de bosmaaier/graskantmaaier niet in de buurt van open vuur.
- Bewaar de bosmaaier/graskantmaaier altijd in een afgesloten ruimte en met een leeggemaakte brandstoftank.
- Wanneer u het gereedschap reinigt, onderhoudt of opbergt, bevestigt u altijd de beschermkap op het snijblad.

Volg de relevante instructies voor het voorkomen van ongevallen die door de relevante beroepsverenigingen en verzekeringsmaatschappijen zijn uitgevaardigd.

Breng geen wijzigingen aan de bosmaaier/graskantmaaier aan, omdat u op die manier uw veiligheid in gevaar brengt.

Het uitvoeren van onderhoud of reparaties door de gebruiker is beperkt tot de activiteiten die in de gebruiksaanwijzing zijn beschreven. Alle andere werkzaamheden moet worden uitgevoerd door een erkend servicecentrum. Gebruik alleen originele reserveonderdelen en accessoires die zijn vervaardigd en geleverd door MAKITA.

Als u niet-goedgekeurde accessoires en gereedschappen gebruikt, zal het risico op ongevallen toenemen.

MAKITA aanvaardt geen enkele aansprakelijkheid voor ongevallen of schade, veroorzaakt door het gebruik van niet-goedgekeurde snijgereedschappen, bevestigingsmiddelen voor snijgereedschappen of accessoires.

EHBO

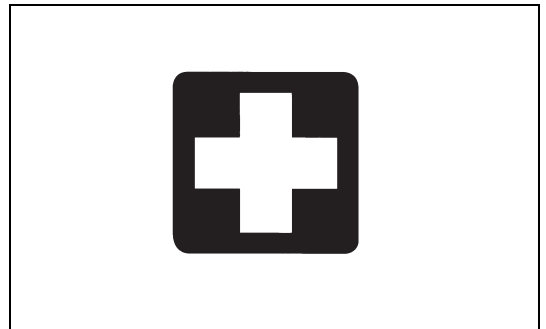
Zorg dat er altijd een EHBO-dos beschikbaar is in de buurt waar er wordt gemaaid om eerste hulp te bieden bij eventuele ongevallen. Vervang onmiddellijk elk item dat uit de EHBO-dos is genomen.

Geef de volgende informatie wanneer u hulp inroept:

- Plaats van het ongeval
- Beschrijving van het ongeval
- Aantal gewonden
- Soort letsels
- Uw naam

Trillingen

- Personen met een slechte bloedsomloop die worden blootgesteld aan sterke trillingen, kunnen verwondingen aan bloedvaten of het zenuwstelsel oplopen. Trillingen kunnen de volgende symptomen veroorzaken in de vingers, handen of polsen: "slapen" (ongevoeligheid), tintelingen, pijn, stekend gevoel, veranderen van huidskleur of van de huid. Als een van deze symptomen zich voordoet, raadpleegt u uw huisarts!
- Om de kans op deze "witte-vingerziekte" te verkleinen, houdt u uw handen warm tijdens het werk en onderhoudt u het gereedschap en de accessoires goed.



Alleen voor Europese landen

EU-verklaring van conformiteit

Wij, Makita Corporation, als de verantwoordelijke fabrikant, verklaren dat de volgende Makita-machine(s):

Aanduiding van de machine: Bosmaaier/Graskantmaaier

Modelnr./Type: EM2600U, EM2600L

Technische gegevens: zie de tabel "TECHNISCHE GEGEVENS"

in serie zijn geproduceerd en

Voldoen aan de volgende Europese richtlijnen:

2000/14/EC en 2006/42/EC, 2004/108/EC

En zijn gefabriceerd in overeenstemming met de volgende normen of genormaliseerd documenten:

EN ISO 11806-1, EN ISO 14982

De technische documentatie wordt bewaard door:

Makita International Europe Ltd., Technical Department,
Michigan Drive, Tongwell, Milton Keynes, Bucks MK15 8JD, Engeland

De conformiteitsbeoordelingsprocedure vereist door Richtlijn 2000/14/EC was in Overeenstemming met annex V.

Gemeten geluidsvermogeniveau (als een graskantmaaier): 109,77 dB

Gemeten geluidsvermogeniveau (als een bosmaaier): 107,29 dB

Gegarandeerd geluidsvermogeniveau: 112 dB

15. 4. 2013

A handwritten signature in black ink, appearing to be 'Tomoyasu Kato'.

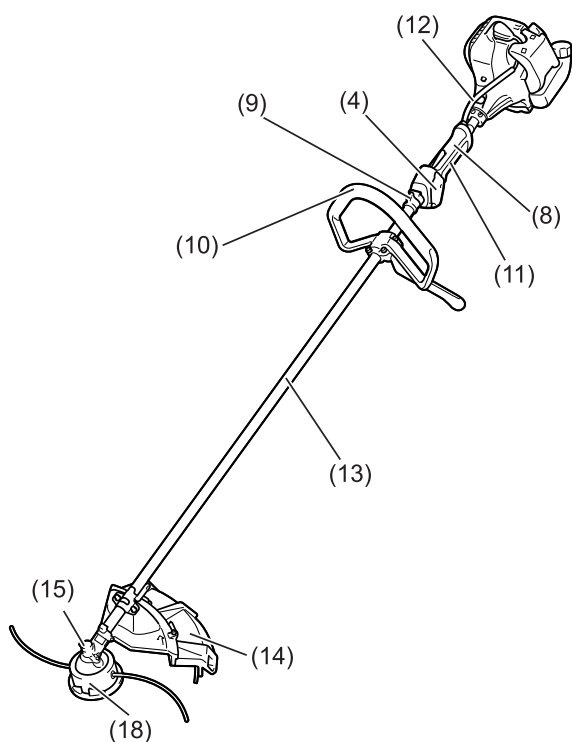
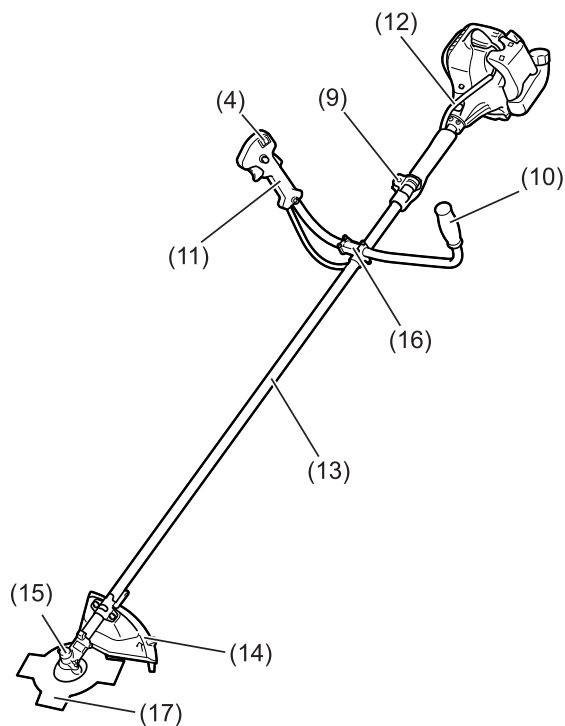
Tomoyasu Kato
Directeur
Makita Corporation
3-11-8, Sumiyoshi-cho,
Anjo, Aichi, JAPAN

Technische gegevens

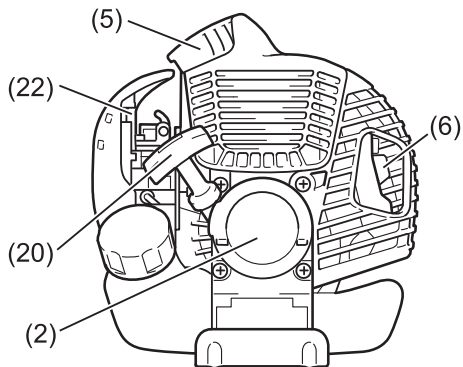
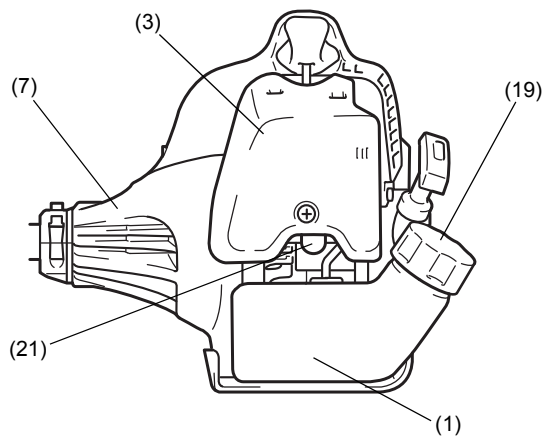
Model		EM2600U	EM2600L
		U-handgreep	Beugelhandgreep
Afmetingen: lengte x breedte x hoogte (zonder snijblad)		1.770 x 610 x 410 mm	1.770 x 330 x 185 mm
Nettogewicht		5 kg	5 kg
Cilinderinhoud		25,7 cm ³	
Maximaal motorvermogen		0,83 kW	
Maximaal astoerental		8.800 min ⁻¹	
Snijgarnituur	Eindelijk metalen snijblad	φ230 mm	
	Graskantmaaierkop	φ430 mm	
Stationair toerental		3.000/min	
Toerental op aangrijppunt van koppeling		4.100/min	
Overbrengingsverhouding van tandwielen		14/19	
Brandstof		Mengsmering Benzine: Tweetaktmotorolie = 50:1	
Volume (brandstoftank)		0,6 liter	
Carburateur		WALBRO WYC	
Bougie		NGK BPMR7A	
Elektrodenafstand		0,6 - 0,7 mm	
Trillingen: (voor bosmaaier)	Linkerhandgreep (voorste greep)	14,680 m/s ² K = 1,5 m/s ²	5,152 m/s ² K = 1,5 m/s ²
	Rechterhandgreep (achterhandgreep)	9,037 m/s ² K = 1,5 m/s ²	9,677 m/s ² K = 1,5 m/s ²
Trillingen: (voor graskantmaaier)	Linkerhandgreep (voorste greep)	7,961 m/s ² K = 1,5 m/s ²	8,83 m/s ² K = 1,5 m/s ²
	Rechterhandgreep (voorste greep)	7,019 m/s ² K = 1,5 m/s ²	14,381 m/s ² K = 1,5 m/s ²
Geluid (getest volgens 2000/14/EC en 2005/88/EC):			
Geluidsdrukniveau op gebruikerspositie (graskantmaaier):		98,52 dB (A) K = 2,5 dB (A)	
Geluidsdrukniveau op gebruikerspositie (bosmaaier):		96,15 dB (A) K = 2,5 dB (A)	
Gemeten geluidsvermogeniveau (graskantmaaier):		109,77 dB (A) K = 2,5 dB (A)	
Gemeten geluidsvermogeniveau (bosmaaier):		107,29 dB (A) K = 2,5 dB (A)	
Geluid (getest volgens 2000/14/EC en 2005/88/EC): gegarandeerde geluidsvermogenwaarden		112 dB (A)	

Namen van onderdelen

EM2600U Model met U-handgreep



EM2600L Model met beugelhandgreep



Namen van onderdelen	
1	Brandstoftank
2	Trekstartinrichting
3	Luchtfilter
4	I-STOP-schakelaar (aan/uit)/START-STOP-schakelaar
5	Bougie
6	Uitlaatdemper
7	Koppelingshuis
8	Achterhandgreep
9	Bevestigingsoog
10	Handgreep
11	Gashendel
12	Gaskabel
13	Schacht
14	Beschermkap (beschermkap van snijgarnituur)
15	Tandwielhuis
16	Handgreepbevestiging
17	Snijblad
18	Nylondraad-snijkop
19	Brandstofvuldop
20	Trekstarthandgreep
21	Brandstofhandpomp
22	Chokehendel

De handgreep monteren

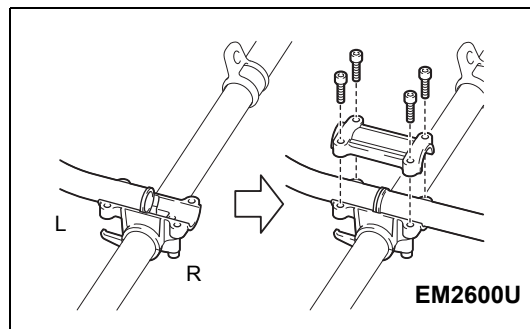
LET OP: Voordat u werkt aan de bosmaaier, moet u altijd de motor uitschakelen en de bougiekap eraf trekken. Draag altijd veiligheidshandschoenen!

LET OP: Zorg dat u de bosmaaier volledig opnieuw hebt gemonteerd voordat u deze inschakelt.

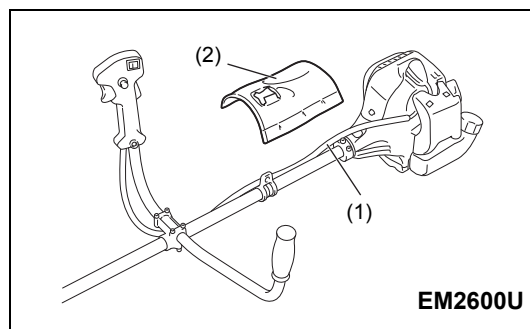


Voor modellen met een U-handgreep

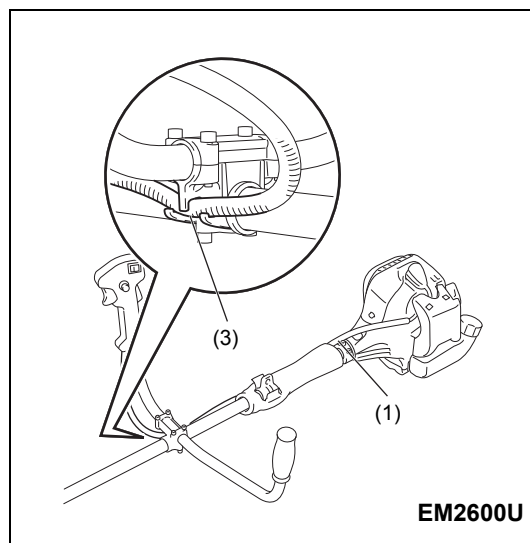
- Plaats de twee handgrepen op de handgreepbevestiging. De gashendel moet aan de rechterkant zitten wanneer u in de richting van het snijgarnituur kijkt.
- Zorg ervoor dat de uiteinden van de handgrepen in de groeven van de handgreepbevestiging vallen en monteer de klem erop. Draai de vier bouten met de hand vast zodat de handgrepen nog kunnen worden afgesteld.
- Stel de hoek van de handgrepen af en draai alle vier de bouten gelijkmatig vast met behulp van een inbusleutel.



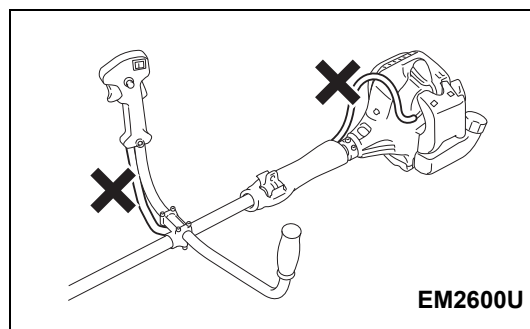
- Plaats de gaskabel (1) aan de kant van de schacht waar de gashendel zit. En wikkel daarna het heupkussen (2) eromheen.



- Geleid de gaskabel (1) door de klemopening (3) van de handgreepbevestiging.
- Zorg ervoor dat de gaskabel loopt zoals afgebeeld.
- Bedien de gashendel en controleer of deze soepel werkt.

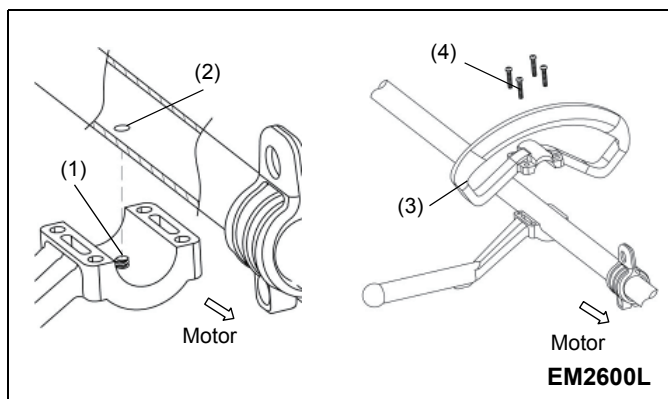


LET OP: Zorg ervoor dat de gaskabel niet loopt zoals afgebeeld. Anders kan de gebogen kabel een hoog stationair toerental veroorzaken, en kan een oncontroleerbaar snijblad leiden tot persoonlijk letsel.



Voor modellen met een beugelhandgreep

- Plaats de draad (1) op de handgreepbevestiging in het pasgat op de buis.
- Bevestig de hulphandgreep (3) op het eindstuk.
- Draai de 4 bouten M5 x 30 vast.



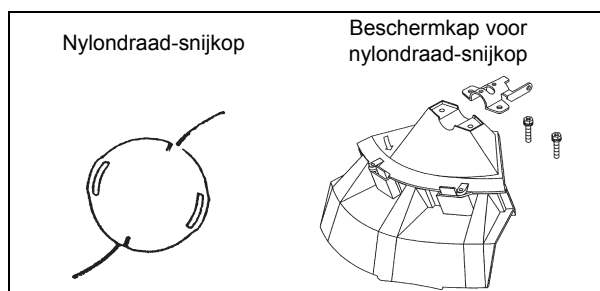
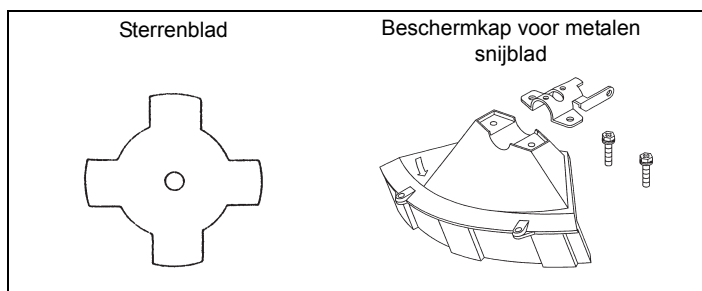
De beschermkap monteren

Om te voldoen aan de toepasselijke veiligheidsnormen, mag u alleen de gereedschap/beschermkapcombinaties gebruiken die in de tabel zijn aangegeven.



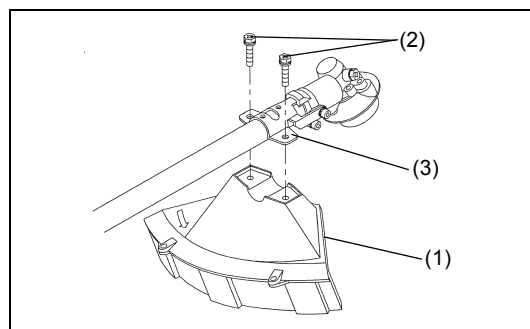
Gebruik altijd originele snijbladen/nylondraad-snijknoppen van MAKITA.

- Het snijblad moet goed geslepen zijn en vrij zijn van barsten of breuken. Als het snijblad een steen raakt tijdens het gebruik, moet u de motor onmiddellijk uitschakelen en het blad controleren.
- Slijp of vervang het snijblad na elke drie uur gebruik.
- Als de nylondraad-snijkop een steen raakt tijdens het gebruik, moet u de motor onmiddellijk uitzetten en de nylondraad-snijknop controleren.

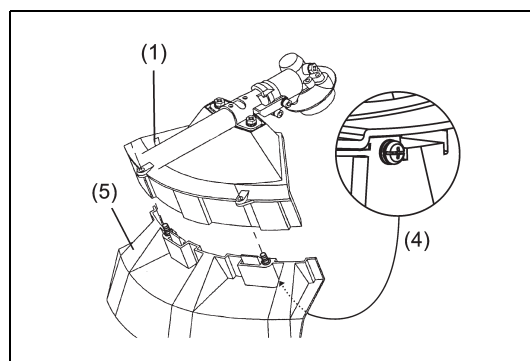


LET OP: Voor uw veiligheid en om te voldoen aan de voorschriften voor ongevallenpreventie, moet u altijd de geschikte beschermkappen monteren. Het gebruik van het gereedschap zonder beschermkap is verboden.

- Bevestig de beschermkap (1) aan de klem (3) met twee M6 x 30 bouten (2).



- Wanneer u de nylondraad-snijkop gebruikt, moet u de beschermkap (5) in de beschermkap (1) installeren en deze vastmaken met de twee bouten (4).

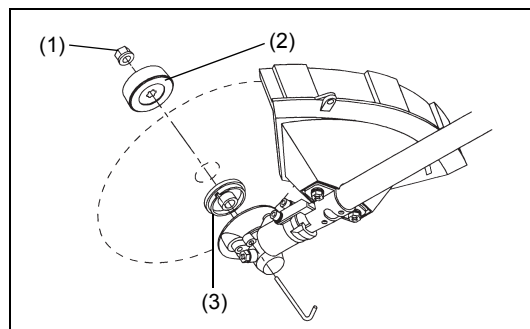


Het snijblad of de nylondraad-snijkop monteren

Het snijblad of de nylondraad-snijkop kan gemakkelijk worden vervangen door het gereedschap eerst ondersteboven te draaien.



- Steek de inbusleutel in de opening van het tandwielhuis en draai de ontvangerring (3) met de inbusleutel tot deze wordt vergrendeld.
- Maak de moer/veerring (1) (linker schroefdraad) los met de dopsleutel en verwijder de moer/veerring (1) en de klemring (2).



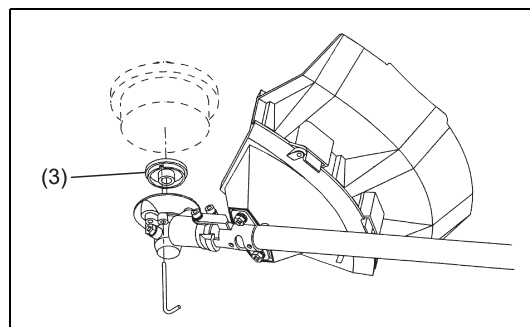
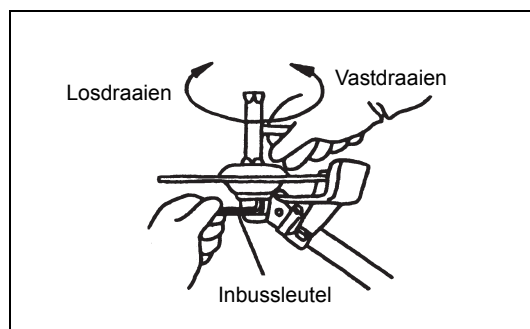
Terwijl de inbusleutel nog op zijn plaats zit

- Monteer het snijblad op de schacht zodat de nok van de ontvangerring (3) past in de inkeping in het middengat van het snijblad. Monteer de klemring (2) en bevestig het snijblad met de moer/veerring (1).
[Aanhaalkoppel: 13 - 23 Nm]

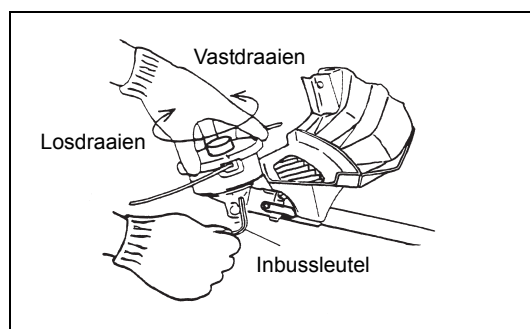
OPMERKING: Draag altijd beschermende handschoenen wanneer u het snijblad hanteert.

OPMERKING: De bevestigingsmoer van het snijblad (met veerring) is een verbruiksartikel. Als u slijtage of vervorming van de veerring opmerkt, moet u de moer vervangen.

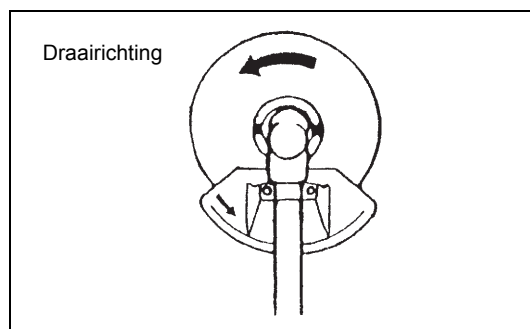
OPMERKING: De klemring (2) en de moer/veerring (1) zijn niet nodig voor het monteren van de nylondraad-snijkop. De nylondraad-snijkop moet bovenop de ontvangerring (3) komen.



- Schroef de nylondraad-snijkop op de schacht.



- Controleer of het blad linksom draait.



Brandstof en brandstof bijvullen

Omgaan met brandstof

Tijdens het omgaan met brandstoffen moet u uiterste voorzichtigheid betrachten. Brandstof kan stoffen bevatten die ook in oplosmiddelen voorkomen. Vul brandstof bij in een goed geventileerd vertrek of buiten. Zorg dat u de brandstofdampen niet inademt en vermijd contact van de brandstof of de olie met de huid.

Aardolieproducten ontvetten uw huid. Als uw huid langdurig in contact is geweest met deze producten, kan uw huid extreem droog worden. Dit kan leiden tot verschillende soorten huidaanandoeningen. Daarnaast kunnen er ook allergische reacties optreden.

Uw ogen kunnen geïrriteerd raken door contact met olie. Als er olie in uw ogen terecht komt, moet u ze onmiddellijk spoelen met helder water. Als uw ogen dan nog steeds geïrriteerd zijn, moet u onmiddellijk een dokter raadplegen.

Benzine-oliemengsel

De motor van de bosmaaier is een tweetaktmotor met hoog rendement. Deze werkt op een mengsel van brandstof en tweetaktmotorolie. De motor is ontworpen voor gewone loodvrije benzine met een minimaal octaangehalte van 91 RON.

Voor optimale prestaties van de motor en om uw gezondheid en het milieu te beschermen, adviseren wij u alleen loodvrije brandstof te gebruiken!

Om de motor te smeren, voegt u tweetaktmotorolie (kwaliteitsnorm: JASO FC of ISO EGD) toe aan de brandstof. De motor is ontworpen voor gebruik met de opgegeven tweetaktmotorolie bij een mengverhouding van 50:1 om het milieu te beschermen.

Daarnaast garandeert het gebruik van deze mengverhouding een langere gebruiksduur, een betrouwbare werking en minimale uitstoten. Er kan geen betrouwbare werking van de bosmaaier worden gegarandeerd, tenzij de mengverhouding van 50:1 (opgegeven tweetaktmotorolie) strikt wordt nageleefd.

Correcte mengverhouding:

Benzine: Gespecificeerde tweetaktmotorolie = 50 : 1 of

Benzine: Tweetaktmotorolie van een andere fabrikant = 25 : 1 aanbevolen

OPMERKING: Om het benzine/olie-mengsel te maken, mengt u eerst de volledige hoeveelheid olie met de helft van de vereiste benzine en voegt u daarna de resterende benzine toe. Schud het mengsel stevig voordat u het in de tank van de bosmaaier giet. Voor een veilig gebruik mag u nooit meer motorolie toevoegen dan de opgegeven hoeveelheid. Als u dat toch doet, worden meer verbrandingsresten geproduceerd waardoor het milieu wordt vervuild en het uitlaatkanaal in de cilinder en de demper verstopt kunnen raken. Daarnaast zal het brandstofverbruik verhogen en zullen de prestaties afnemen.

Brandstof bijvullen

De motor moet worden uitgezet.



- Maak het gebied rond de brandstofvuldop (2) grondig schoon om te vermijden dat er vuil in de brandstoftank (1) terechtkomt.
- Draai de brandstofvuldop (2) los en vul brandstof bij in de tank.
- Draai de brandstofvuldop (2) stevig vast.
- Maak de brandstofvuldop (2) en de tank schoon na het bijvullen van brandstof.

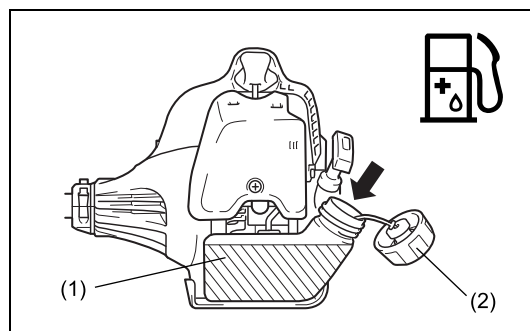
Opslag van brandstof

Brandstof kan niet voor een onbeperkte tijd worden bewaard.

Koop slechts de hoeveelheid die nodig is voor een gebruikperiode van 4 weken. Gebruik alleen goedgekeurde brandstofopslagtanks.



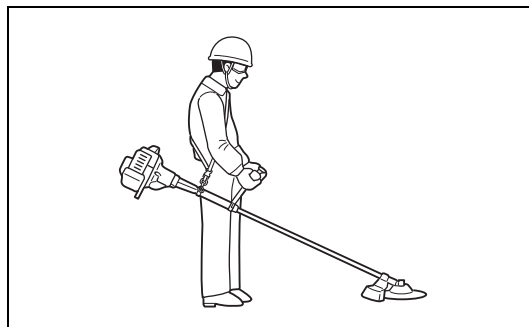
Benzine	50:1	25:1
	+	
1.000 cm ³ (1 liter)	20 cm ³	40 cm ³
5.000 cm ³ (5 liter)	100 cm ³	200 cm ³
10.000 cm ³ (10 liter)	200 cm ³	400 cm ³



Correcte hantering

Bevestigen van de schouderriem

- Pas de lengte van de riem zo aan, dat het snijblad parallel met de grond kan worden gehouden.

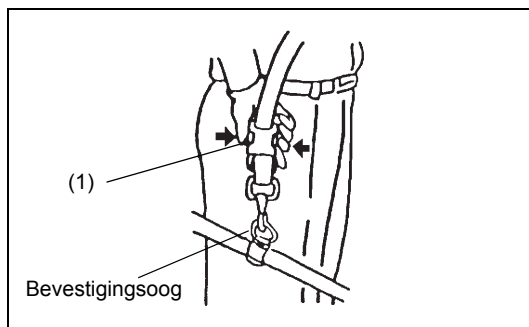


Losmaken

- In geval van nood knijpt u de gesp (1) aan beide zijanten in om het gereedschap los te maken. Zorg dat u op dit ogenblik de controle over het gereedschap behoudt. Zorg ervoor dat het gereedschap niet weggeworpen wordt in uw richting of in de richting van iemand die in de buurt staat.

WAARSCHUWING: Als u geen complete controle over het gereedschap behoudt, kan dit leiden tot ernstig letsel en zelfs de DOOD.

Opmerking: In sommige landen heeft de schouderriem niet de losmaak-functionaliteit.



Belangrijke bedieningspunten/de maaier stoppen

Houd u aan de toepasselijke voorschriften voor ongevallenpreventie.



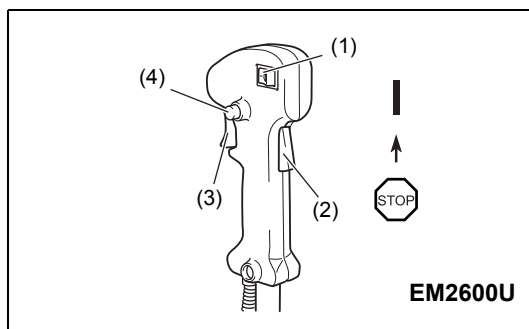
Starten

Houd tenminste 3 meters afstand tot de plaats waar u brandstof in het gereedschap hebt bijgevuld. Plaats de bosmaaier op een schoon stuk grond en zorg ervoor dat het snijgarnituur niet in contact komt met de grond of andere voorwerpen.

WAARSCHUWING: Let erop dat het snijgarnituur onmiddellijk begint te draaien nadat de motor is gestart.

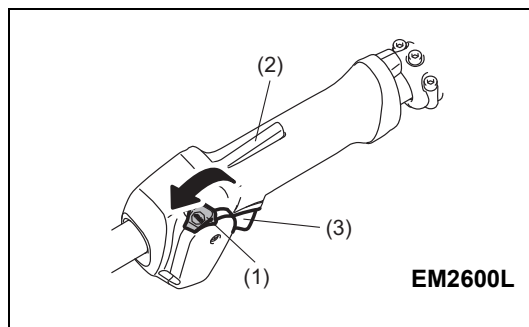
Koude start van modellen met een U-handgreep

- Zet de I-STOP-schakelaar (aan/uit) (1) in de afgebeelde stand.
- Pak de handgreep vast (de druk van uw hand bedient de hendel voor de uitvergrendelhendel (2)).
- Knijp de gashendel (3) in en houd deze ingeknepen.
- Druk op de vergrendelingsknop (4) en laat de gashendel los. Laat vervolgens de vergrendelingsknop los (de vergrendelingsknop houdt de gashendel in de startstand).



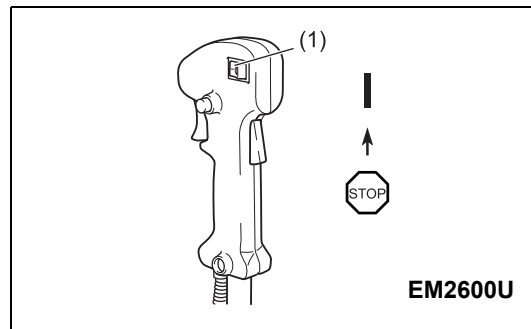
Koude start van modellen met een beugelhandgreep

- Zet de START-STOP-schakelaar (1) in de stand START, zoals afgebeeld.
- Pak de handgreep vast (de druk van uw hand bedient de hendel voor de uitvergrendelhendel (2)).
- Knijp de gashendel (3) in en houd deze ingeknepen.
- Zet de START-STOP-schakelaar (1) in de stand START en laat de gashendel los, en laat daarna de START-STOP-schakelaar los (de START-STOP-schakelaar houdt de gashendel in de stand START).



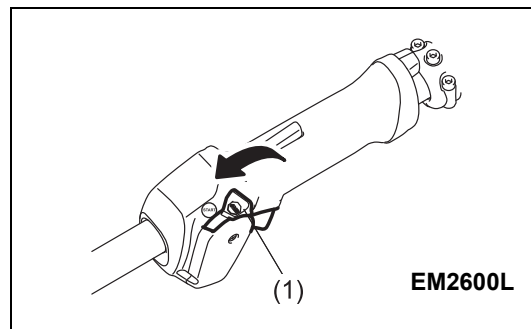
Warme start van modellen met een U-handgreep

- Zet de I-STOP-schakelaar (aan/uit) (1) in de afgebeelde stand.

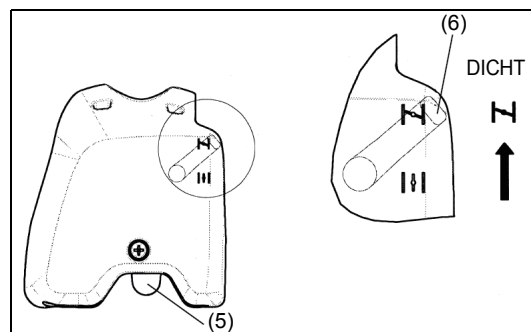


Warme start van modellen met een beugelhandgreep

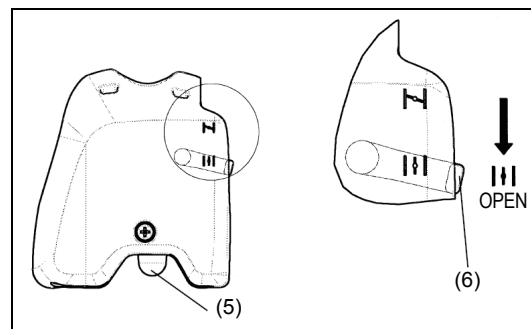
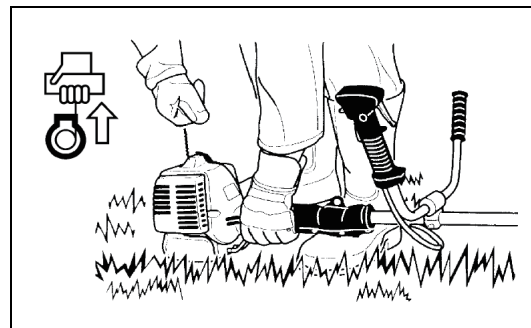
- Zet de START-STOP-schakelaar (1) in de middenstand, zoals afgebeeld.



- Plaats het gereedschap eerst op de grond.
- Druk herhaaldelijk (7-10 keer) op de brandstofhandpomp (5) tot de brandstof in de brandstofhandpomp stroomt.
- Sluit de chokehendel (6).
Chokeopening:
 - Volledig besloten bij koude temperaturen of wanneer de motor koud is
 - Volledig of half open voor het opnieuw opstarten terwijl de motor nog warm is



- Houd het koppelingshuis stevig vast met uw linkerhand, zoals weergegeven.
- Trek langzaam aan de trekstarthandgreep tot u weerstand voelt en trek vervolgens met een stevige ruk.
- Trek de startkoord niet volledig uit en laat de trekstarthandgreep niet ongecontroleerd terugschieten. Behoud de controle over het startkoord en zorg dat dit langzaam wordt teruggetrokken.
- Herhaal het starten tot u de eerste ontstekingen van de motor hoort.
- Druk op de chokehendel (6) (↓) en trek opnieuw aan het startkoord tot de motor start.
- Zodra de motor start moet u de gashendel onmiddellijk inknippen en weer loslaten zodat de halfgasvergrendeling wordt ontgrendeld en de motor stationair kan draaien.
- Laat de motor ongeveer 1 minuut draaien op een gemiddeld toerental voordat u volgas geeft.



- OPMERKING: - Als u herhaaldelijk aan de trekstarthandgreep trekt terwijl de chokehendel in de stand "↓" staat, zal de motor niet gemakkelijk starten vanwege een overmatige brandstoftoevoer.
- In geval van een overmatige brandstoftoevoer, verwijdert u de bougie en trekt u langzaam aan de trekstarthandgreep om overtollige brandstof te verwijderen. Maak ook de elektroden van de bougie droog.

Voorzichtig tijdens gebruik:

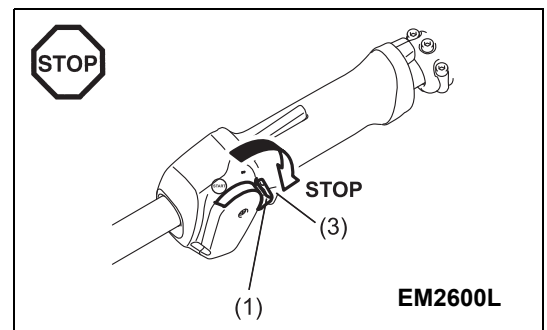
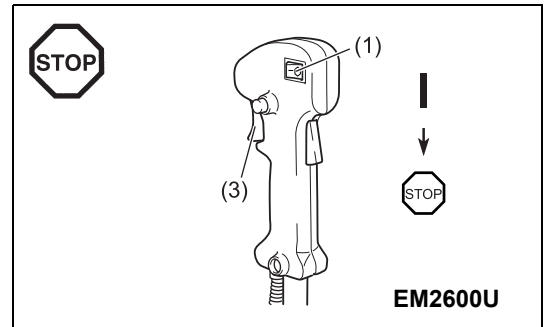
Als de gashendel volledig wordt geopend tijdens onbelast gebruik, loopt het motortoerental op tot meer dan 10.000 min⁻¹. Gebruik de motor nooit op een hoger toerental dan vereist is en houd het toerental op ongeveer 6.000 tot 8.000 min⁻¹.

LET OP: Verlaag het motortoerental altijd wanneer het gereedschap niet wordt belast.

Door het gereedschap op een hoog toerental te laten draaien terwijl het niet wordt belast, wordt de levensduur van het gereedschap verkort.

Stoppen

- Laat de gashendel (3) volledig los en, nadat het motortoerental is afgenomen, duw de I-STOP-schakelaar (aan/uit)/START-STOP-schakelaar (1) naar de stand "STOP" (stoppen) om de motor uit te schakelen.
- Houd ermee rekening dat het snijgereedschap mogelijk niet onmiddellijk stopt, en laat het altijd uitdraaien tot het uit zichzelf tot stilstand is gekomen.



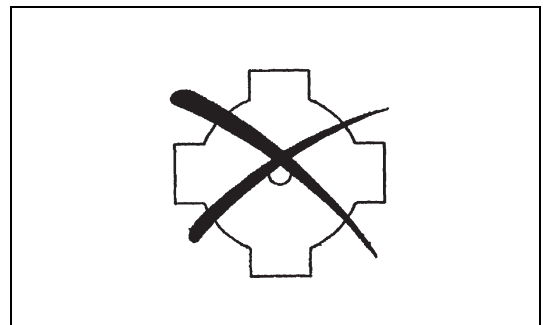
Het snijgereedschap slijpen

LET OP: De hieronder vermelde snijgereedschappen mogen alleen worden geslepen door een erkend servicecentrum. Het handmatig slijpen zal resulteren in onbalans van het snijgereedschap, waardoor trillingen zullen ontstaan en het gereedschap schade kan oplopen.

- snijblad (sterrenblad (4 tanden))

De erkende servicecentra bieden een professionele service voor het slijpen en uitbalanceren.

OPMERKING: Om de levensduur van het snijblad (sterrenblad) te verlengen, kan het blad worden omgedraaid zodat beide snijranden kunnen slijten.



NYLONDRAAD-SNIJKOP

De nylondraad-snijkop is een strimmer met twee nylonraden die is uitgerust met een stoot-aanvoermecanisme.

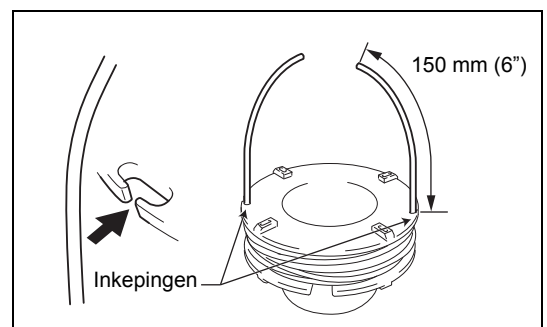
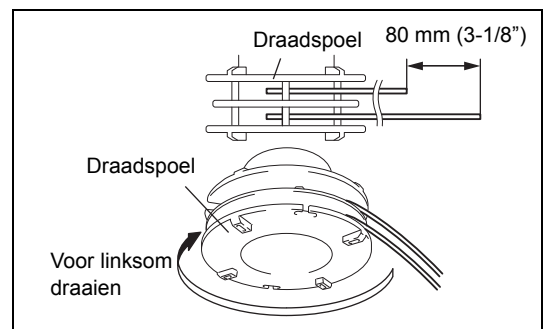
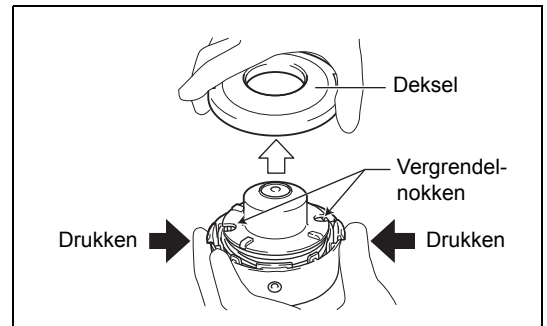
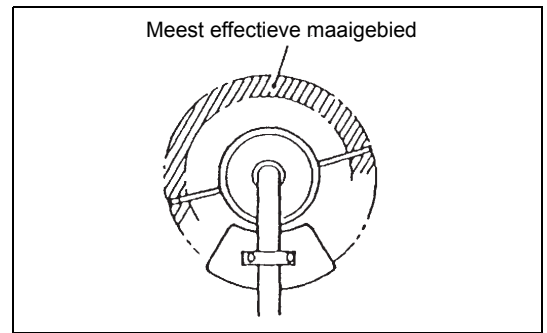
De nylondraad-snijkop voert de nylondraad uit door met de kop van de spoel op de grond te tikken.

Bediening

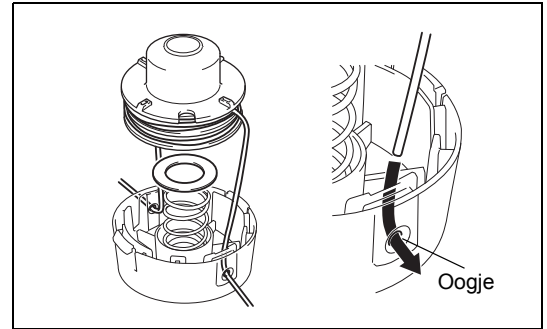
- Het meest effectieve maaigebied wordt weergegeven door het gearceerde deel.
- Om de nylondraad aan te voeren, verhoogt u toerental van de nylondraad-snijkop naar ongeveer 6.000 toeren min^{-1} en tikt u met de nylondraad-snijkop voorzichtig op de grond.
- Als de nylondraad-snijkop geen nylondraad aanvoert door ermee op de grond te tikken, volgt u de procedures die zijn beschreven onder "De nylondraad vervangen" om de nylondraad op te wikkelen/te vervangen.

De nylondraad vervangen

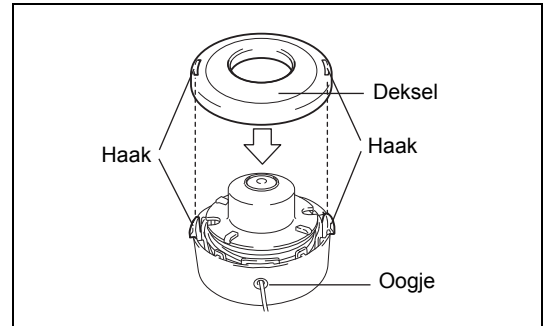
- Schakel de motor uit.
- Druk de vergrendelnokken van de behuizing naar binnen om het deksel eraf te tillen en verwijder vervolgens de draadspoel.
- Haak het midden van de totale lengte van de nieuwe nylondraad in het midden van de draadspoel en zorg ervoor dat één uiteinde ongeveer 80 mm langer is dan het andere. Wikkel vervolgens beide draadhelften rond de draadspoel in de draairichting van de snijkop (de wikkelrichting linksom wordt aangegeven door de pijl LH, en de wikkelrichting rechtsom wordt aangegeven door de pijl RH op de zijkant van de draadspoel).
- Wikkel op 150 mm na de volledige lengte van de nylondraad op de draadspoel, en haak de uiteinden tijdelijk in de inkepingen in de zijkant van de draadspoel.



- Voer de nylonraden door de oogjes zodat ze uit de behuizing steken.
Plaats de ring, veer en draadspool in de behuizing.



- Lijn de haken op het deksel uit met de vergrendelnokken van de behuizing.
Duw daarna het deksel stevig op de behuizing om hem te vergrendelen.



Onderhoudsinstructies

Onderhoudsinstructies

LET OP: Voordat u enige onderhoudswerkzaamheden uitvoert aan de bosmaaier, moet u altijd de motor uitschakelen en de bougiekap van de bougie aftrekken (zie "De bougie controleren").
Draag altijd veiligheidshandschoenen.

LET OP: Verwijder nooit zelf de trekstartinrichting. Dit kan een ongeval veroorzaken. Deze procedure mag alleen worden uitgevoerd door een erkend servicecentrum.



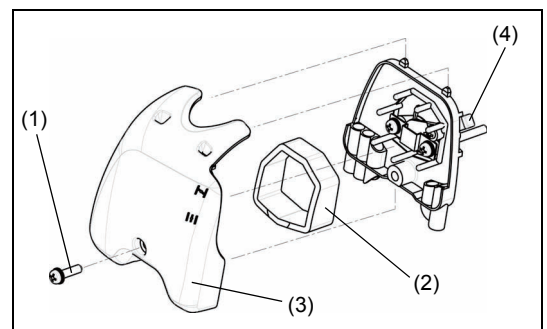
Om een lange levensduur te garanderen en eventuele schade aan het gereedschap te voorkomen, moeten de volgende onderhoudswerkzaamheden regelmatig uitgevoerd worden.

Dagelijkse inspectie en onderhoud

- Controleer het gereedschap voor het gebruik op losse bouten of ontbrekende onderdelen. Let vooral op of het snijblad of de nylondraad-snijkop stevig is bevestigd.
- Controleer voor gebruik altijd of de koelluchtinlaatopening en de koelribben van de cilinder niet verstopt zijn.
Maak ze zo nodig schoon.
- Voer de volgende onderhoudswerkzaamheden dagelijks uit na het gebruik:
 - Maak de buitenkant van de bosmaaier schoon en inspecteer het gereedschap op schade.
 - Maak de luchtfilter schoon. Maak de filter meerdere keren per dag schoon als u onder extreem stoffige omstandigheden werkt.
 - Controleer het snijblad of de nylondraad-snijkop op schade en controleer of het snijblad of de snijkop stevig bevestigd is.
 - Controleer of er voldoende verschil is tussen het stationaire en bedrijfstoerental om zeker te zijn dat het snijgereedschap tot stilstand komt wanneer de motor stationair draait (verlaag zo nodig het stationair toerental).
Raadpleeg het dichtstbijzijnde, erkende servicecentrum als het snijgereedschap blijft draaien terwijl de motor stationair draait.
- Controleer of de I-STOP-schakelaar (aan/uit)/START-STOP-schakelaar, de uit-vergrendelhendel, de gashendel en de vergrendelingsknop correct werken.

Het luchtfilter schoonmaken (filter)

- Zet de chokehendel (4) in de volledig gesloten stand en houd de carburateur uit de buurt van stof of vuil.
- Verwijder de schroef (1).
- Verwijder de luchtfilterkap (3).
- Verwijder het sponsfilterelement (2), was het in lauw water en laat het volledig drogen.
- Plaats na het reinigen de luchtfilterkap (3) terug en bevestig hem met de schroef (1).

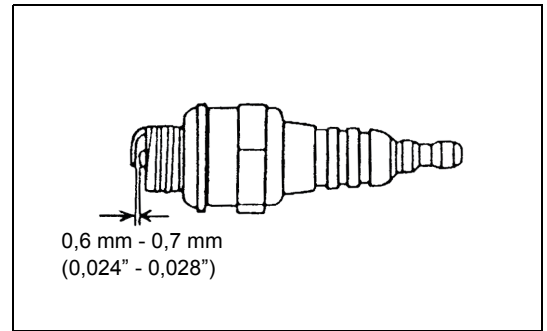


OPMERKING: Als er overmatig stof of vuil aan het luchtfilter blijft plakken, moet u deze dagelijks schoonmaken. Een verstopte luchtfilter kan het moeilijk of onmogelijk maken om de motor te starten of om het motortoerental te laten toenemen.

De bougie controleren

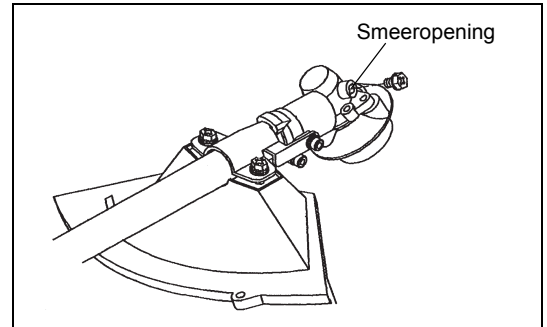
- Gebruik uitsluitend de bijgeleverde bougiesleutel om de bougie te verwijderen of te monteren.
- De afstand tussen de twee elektroden van de bougie moet 0,6 tot 0,7 mm zijn. Als de afstand te groot of te klein is, moet u deze afstellen. Als de bougie verstopt zit met koolafzetting of vuil, moet u deze grondig schoonmaken of vervangen.

LET OP: Raak de bougiekap nooit aan terwijl de motor draait (gevaar van elektrische schok door hoogspanning).



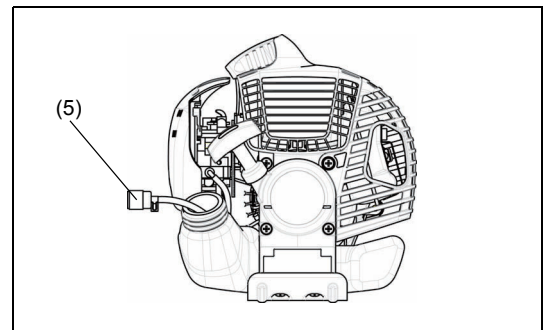
Toevoer van smeervet aan het tandwielhuis

- Breng elke 30 uur vet (Shell Alvania 2 of gelijkwaardig) aan via de smeeroopening in het tandwielhuis. (Origineel MAKITA-smeervet kan worden aangeschaft bij uw MAKITA-dealer.)



Zuigkop in brandstoftank

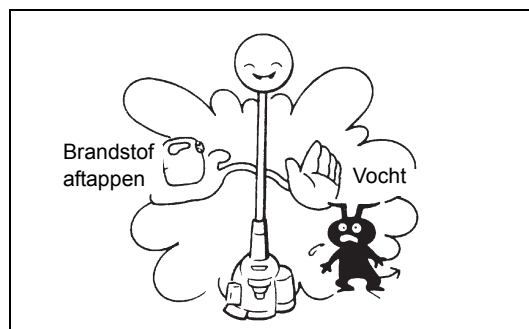
- Het brandstoffilter (5) op de zuigkop wordt gebruikt om de brandstof die door de carburateur wordt aangezogen, te filteren.
- Voer regelmatig een visuele inspectie uit van het brandstoffilter. Om de filter te inspecteren, draait u de brandstofvuldop eraf en gebruikt u een draadhaak om de zuigkop uit de brandstofvulopening te trekken. Vervang het filter als deze verhard, extreem vuil of verstopt is.
- Onvoldoende brandstoftoevoer kan ervoor zorgen dat het maximaal toelaatbare toerental wordt overschreden. Daarom moet het brandstoffilter minstens elke drie maanden worden vervangen om voldoende brandstoftoevoer naar de carburateur te garanderen.



Alle andere onderhouds- of afstelwerkzaamheden die niet in deze gebruiksaanwijzing zijn beschreven, mogen alleen worden uitgevoerd door een erkend servicecentrum.

Bewaren

- Wanneer u het gereedschap lange tijd opslaat, moet u alle brandstof aflaten uit de brandstoftank en de carburateur. Verwijder hiervoor alle brandstof uit de brandstoftank. Gooi de afgetapte brandstof weg in overeenstemming met de lokale toepasselijke wetten.
- Verwijder de bougie en breng enkele druppels olie via het bougiegat in de cilinder. Trek vervolgens voorzichtig aan de trekstarthandgreep zodat de olie de binnenkant van de motor bedekt en monteer daarna de bougie weer.
- Verwijder vuil en stof vanaf het snijblad en de buitenkant van de motor, veeg erover met een in olie doordrenkte doek. Bewaar het gereedschap op een droge plaats.



Onderhoudsschema

Algemeen	Montage van de motor, bouten en moeren	Visuele inspectie op beschadiging en bevestigingen Controleer de algemene toestand en veiligheid
Iedere keer na het bijvullen van brandstof	Gashendel I-STOP-schakelaar (aan/uit)/ START-STOP-schakelaar	Controleren van de werking Controleren van de werking
Dagelijks	Luchtfilter Koelluchtinlaatkanaal Snijgarnituur Stationair toerental	Maak schoon Maak schoon Controle op schade en scherpte Inspecteer (snijgarnituur mag niet bewegen)
Wekelijks	Bougie Uitlaatdemper	Inspecteer en vervang zo nodig Inspecteren en de opening schoonmaken indien nodig
Iedere 3 maanden	Zuigkop Brandstoftank	Vervang Maak schoon
Uitschakelprocedure	Brandstoftank Carburateur	Maak de brandstoftank leeg Laat de motor draaien tot de brandstof op is

Problemen oplossen

Probleem	Systeem	Waarneming	Oorzaak
De motor start niet of is moeilijk te starten	Ontstekingsstelsel	Ontstekingsvonk OK	Fout in brandstoftoevoer of compressiesysteem, mechanisch defect
		Geen ontstekingsvonk aanwezig	I-STOP-schakelaar (aan/uit)/START-STOP-schakelaar ingeschakeld, bedradingsfout of kortsluiting, bougie of bougiekap defect, storing in ontstekingsmodule
	Brandstoftoevoersysteem	Brandstoftank is vol	Onjuiste stand van chokehendel, carburateur defect, brandstofleiding geknikt of verstopt, brandstof vuil
	Compressie	Geen compressie bij aantrekken	Cilindervoetpakking defect, krukafsluitingen beschadigd, cilinder of zuigerveren defect, of slechte afdichting van bougie
Problemen bij starten van warme motor	Mechanisch defect	Trekstartinrichting grijpt niet aan	Gebroken startveer, gebroken onderdelen in de motor
		Brandstoftank is vol. Ontstekingsvonk OK	Carburateur vervuild, moet worden schoongemaakt
Motor start, maar slaat af	Brandstoftoevoersysteem	Brandstoftank is vol	Verkeerde afstelling van stationair toerental of carburateur is vervuild
Onvoldoende prestaties	Mogelijk zijn meerdere systemen tegelijk de oorzaak	Slecht stationair lopen	Ontluchting van de brandstoftank is defect, brandstofleiding is onderbroken, kabel of I-STOP-schakelaar (aan/uit)/START-STOP-schakelaar is defect
			Luchtfilter is vervuild, carburateur is vervuild, uitlaatdemper is verstopt, uitlaatkanaal in de cilinder is verstopt

Gracias por comprar esta desbrozadora MAKITA. La desbrozadora MAKITA es el resultado de nuestros muchos años de investigación, experiencia y un extenso programa de desarrollo.

Lea este manual con atención para obtener unos resultados excelentes y el mejor rendimiento posible que la desbrozadora MAKITA puede proporcionar.



Índice	Página
Símbolos	92
Instrucciones de seguridad	93
Datos técnicos.....	97
Denominación de las piezas	98
Montaje del asidero.....	99
Montaje del protector	100
Montaje de la cuchilla de corte/cabezal de corte de nylon	101
Combustible/Repostaje	102
Manejo correcto	103
Aspectos importantes del manejo/parada de la desbrozadora	103
Afilado de la herramienta de corte	105
Instrucciones de servicio.....	107
Almacenamiento	109

Símbolos

Cuando lea el manual de instrucciones se encontrará con los siguientes símbolos.

	Lea el manual de instrucciones		Utilice protección para los ojos y los oídos (solamente para la desbrozadora)
	Preste especial cuidado y atención		Utilice un casco de seguridad y protección para los ojos y oídos (solamente para la desbrozadora)
	Prohibido		No utilice cuchillas metálicas (solamente para la desbrozadora)
	Mantenga la distancia		Máxima velocidad permitida de la herramienta
	Peligro de que salgan despedidos objetos		Superficies calientes: quemaduras en los dedos o en las manos
	No fume		Mezcla de combustible y aceite
	No acercarse a las llamas		Encendido manual del motor
	Deben utilizarse guantes protectores		Parada de emergencia
	Contragolpe		Primeros auxilios
	Mantenga el área de operación libre de personas y animales		ENCENDIDO/ARRANQUE
	Utilice botas robustas con suela antideslizante. Se recomienda el uso de botas de seguridad con puntera de acero.		APAGADO/PARADA
			ARRANQUE

Instrucciones de seguridad

Instrucciones generales

- Para garantizar un manejo seguro, asegúrese de que lee y comprende totalmente el manual de instrucciones para familiarizarse con el uso de la desbrozadora. El uso de este equipo sin comprender cómo utilizarlo correctamente puede provocar graves lesiones a usted o a otras personas.
- Sólo debe prestar la desbrozadora a personas que tengan experiencia demostrada en el uso de la desbrozadora. Entregue siempre este manual de instrucciones con la herramienta.
- Si es la primera vez que utiliza una desbrozadora con motor, consulte a su distribuidor las instrucciones básicas.
- No se debe permitir que los niños o las personas de menos de 18 años utilicen la desbrozadora. Las personas de más de 16 años pueden usar el dispositivo con finalidades de aprendizaje solamente bajo la supervisión de un instructor cualificado.
- Utilice la desbrozadora con el máximo cuidado y atención.
- Sólo debe utilizar la desbrozadora si está en buena condición física. Realice todo el trabajo con calma y con cuidado. Los usuarios son responsables de la seguridad de las personas que los rodean.
- Nunca utilice la desbrozadora tras consumir alcohol o medicamentos o si se siente cansado o enfermo.

ADVERTENCIA: Esta máquina produce un campo electromagnético durante su funcionamiento. Bajo algunas circunstancias, este campo puede interferir con implantes médicos activos o pasivos. Para reducir el riesgo de lesiones graves o fatales, recomendamos que las personas con implantes médicos consulten con su médico y el fabricante del implante antes de utilizar esta máquina.

Uso previsto del equipo

- La desbrozadora sólo se ha diseñado para cortar hierba, maleza, arbustos y otras plantas similares y no se debe utilizar con ninguna otra finalidad, como canteado o cortado de setos, ya que se podrían causar lesiones.

Equipo de protección personal

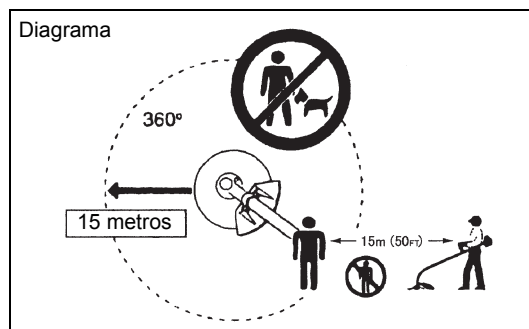
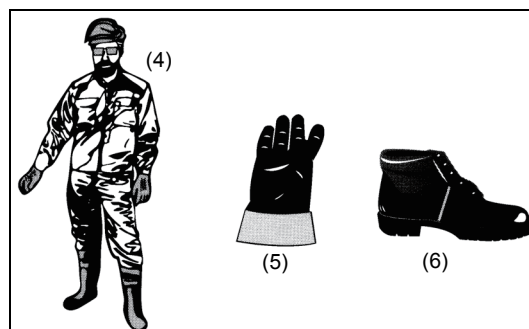
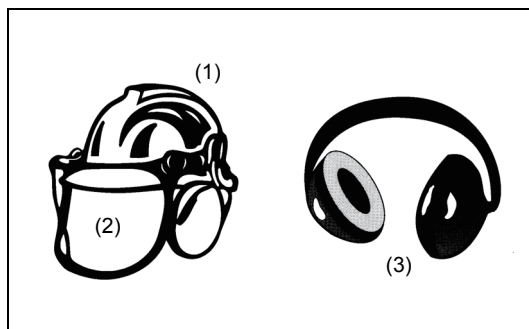
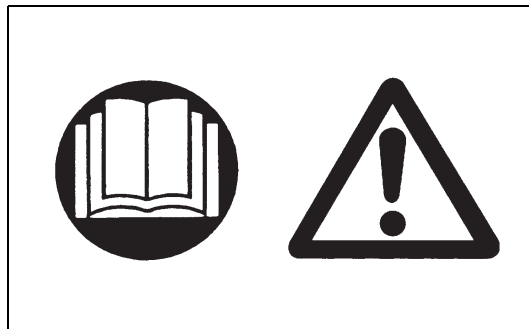
- Utilice siempre ropa funcional y adecuada para su trabajo; p. ej. ajustada al cuerpo pero sin que estorbe sus movimientos. No lleve joyas ni prendas que puedan engancharse en arbustos o maleza.
- Para evitar lesiones en la cabeza, los ojos, las manos o los pies y para proteger los oídos durante el manejo, debe llevarse el siguiente equipo y la siguiente ropa de protección mientras se utiliza la desbrozadora.
- Utilice siempre un casco cuando haya riesgo de caída de objetos. Debe comprobarse periódicamente si el casco protector (1) tiene algún daño y se debe sustituir como máximo después de 5 años. Utilice solamente cascos protectores homologados.
- El visor (2) del casco (o, como alternativa, las gafas de seguridad) protege la cara de piedras y objetos que salen despedidos. Durante el manejo de la desbrozadora utilice gafas de seguridad o un visor para evitar lesiones en los ojos.
- Utilice un equipo de protección acústica adecuado para evitar daños en el oído (protectores de oído (3), tapones para los oídos, etc.).
- El mono de trabajo (4) protege contra piedras y otros objetos que salen despedidos. Recomendamos utilizar un mono de trabajo.
- Los guantes especiales (5) de cuero grueso forman parte del equipo obligatorio y siempre deben utilizarse durante el manejo de la desbrozadora.
- Cuando utilice la desbrozadora, utilice siempre zapatos robustos (6) con una suela que no resbale. Esos zapatos protegen contra lesiones y aseguran una posición estable de los pies.

Riesgos residuales

- Aunque la máquina se utilice tal y como se indica, no es posible eliminar todos los factores de riesgos residuales. Pueden surgir los siguientes peligros en conexión con la construcción y el diseño de la máquina:
 1. Daño a los pulmones si no se utiliza una máscara antipolvo efectiva.
 2. Daño al oído si no se utiliza una protección efectiva para los oídos.
 3. Pueden producirse daños para la salud provocados por la emisión de vibraciones si la máquina se utiliza durante un período de tiempo superior o no se maneja y mantiene correctamente.

Puesta en funcionamiento de la desbrozadora

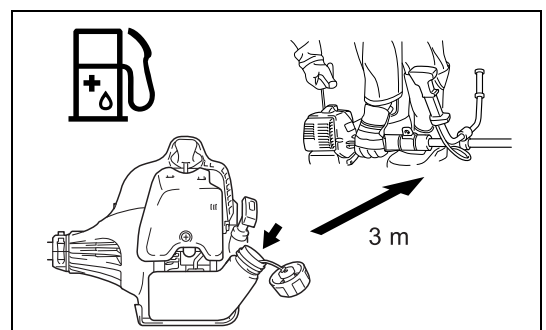
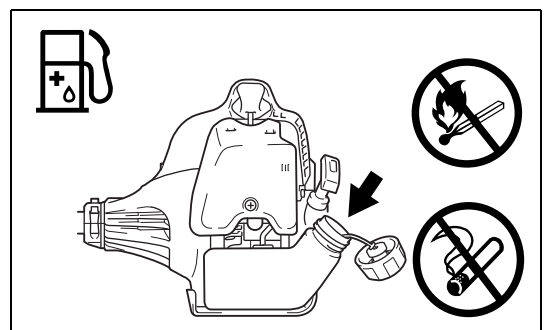
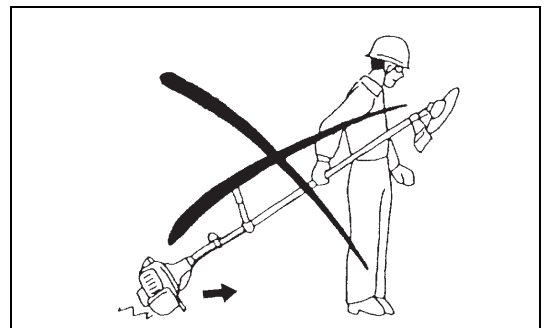
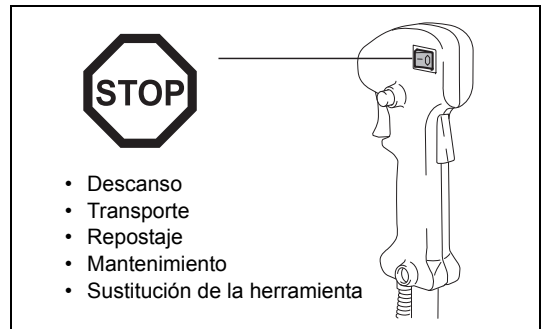
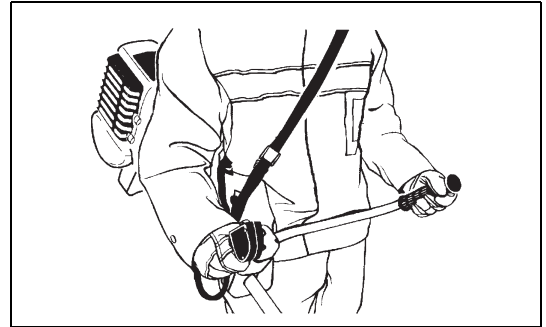
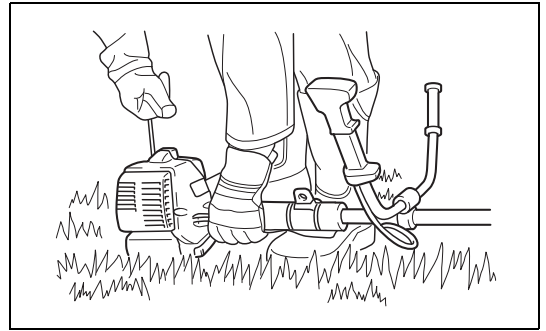
- Asegúrese de que no haya niños y otras personas en un área de trabajo de 15 metros (50 pies) y preste atención también a cualquier animal que pueda estar cerca del lugar de trabajo.
- Antes del uso, compruebe siempre que la desbrozadora esté preparada para un funcionamiento seguro:
Compruebe la seguridad de la herramienta de corte, que la palanca de control se pueda utilizar fácilmente y que el bloqueo de la palanca de control funcione correctamente.
- La herramienta de corte no debe girar cuando el motor gire al ralentí. Consulte con su distribuidor si cree que el equipo puede necesitar un ajuste. Asegúrese de que los asideros estén limpios y secos y que el botón de puesta en marcha o parada funcione correctamente.



- Ponga en marcha la desbrozadora únicamente de acuerdo con las instrucciones. No utilice ningún otro método para poner en marcha el motor.
- Utilice la desbrozadora y las herramientas únicamente para las finalidades especificadas.
- Sólo debe poner en marcha el motor de la desbrozadora tras montar completamente el equipo. No utilice el equipo hasta que se hayan colocado todos los accesorios adecuados.
- Antes de la puesta en marcha, asegúrese de que la herramienta de corte no está en contacto con objetos duros tales como ramas, piedras, etc. ya que la herramienta de corte girará al poner en marcha la herramienta.
- Apague el motor inmediatamente si se produce algún problema de motor.
- Si la herramienta de corte golpea piedras u otros objetos duros, apague el motor inmediatamente e inspecciónela.
- Inspeccione periódicamente la herramienta de corte para comprobar si hay daños (compruebe si hay grietas finas mediante pruebas de sonido).
- Sólo debe utilizar la desbrozadora tras abrochar y ajustar la correa de hombro en la longitud correcta. La correa de hombro debe ajustarse a la talla del usuario para evitar la fatiga durante el manejo del equipo. Nunca sujete la desbrozadora con una mano durante el manejo.
- Durante el manejo, sujete siempre la desbrozadora con ambas manos. Asegúrese siempre de que sus pies estén en una posición segura.
- Utilice la desbrozadora de forma que no inhale los gases de escape. Nunca ponga en funcionamiento el motor en un espacio cerrado, por ejemplo, dentro de una habitación (riesgo de envenenamiento por gas). El monóxido de carbono es un gas inodoro.
- Apague siempre el motor cuando descanse o si piensa dejar la desbrozadora desatendida y colóquela en un lugar seguro para evitar lesiones a otras personas y daños en el equipo.
- Nunca ponga la desbrozadora caliente sobre hierba seca o cualquier otro material combustible.
- La herramienta de corte siempre debe contar con la protección adecuada. Nunca utilice la herramienta sin este protector.
- Todas las piezas de protección y las protecciones suministradas con el equipo deben utilizarse durante el funcionamiento.
- Nunca utilice el motor si el silenciador de escape está estropeado.
- Apague el motor durante el transporte.
- Cuando transporte el equipo, acople siempre la cubierta a la cuchilla de corte.
- Asegúrese de que la desbrozadora esté en una posición segura durante el transporte para evitar fugas de combustible.
- Cuando transporte la desbrozadora, asegúrese de que el depósito de combustible esté completamente vacío.
- Cuando descargue la desbrozadora de un camión o de otro vehículo similar, nunca arroje el motor al suelo, ya que se puede dañar el depósito de combustible.
- A no ser en caso de emergencia, nunca arroje ni deje caer la desbrozadora al suelo, ya que se puede dañar gravemente.
- Siempre debe levantar todo el equipo del suelo cuando lo mueva. Arrastrar el equipo por su depósito de combustible es extremadamente peligroso y puede causar fugas de combustible, lo que a su vez puede causar un incendio.
- Si el equipo recibe un fuerte impacto o cae, compruebe su estado antes de continuar con el trabajo. Compruebe si hay fugas en el sistema de combustible y si los dispositivos de seguridad funcionan correctamente. Si hay daños o en caso de duda, solicite a nuestro centro de servicio autorizado que realice una inspección y reparación.

Repostaje

- Apague el motor durante el repostaje y manténgase alejado de las llamas y no fume.
- Asegúrese de que los productos de aceite mineral no entren en contacto con la piel. No inhale el vapor de combustible. Utilice siempre guantes de protección durante el repostaje. Cambie y limpie regularmente la ropa protectora.
- Para evitar la contaminación del suelo (protección medioambiental), asegúrese de no verter combustible o aceite en el suelo. Si se derrama combustible, limpie la desbrozadora inmediatamente.
- Asegúrese de que el combustible no entra en contacto con su ropa. Si el combustible entra en contacto con su ropa, cámbiela inmediatamente para evitar que se incendie.
- Inspeccione periódicamente la tapa del depósito de combustible para asegurarse de que se puede apretar firmemente y que no tiene fugas.
- Apriete con cuidado la tapa del depósito de combustible. Cuando haya completado el repostaje, desplácese hasta una ubicación que esté alejada como mínimo 3 metros de donde ha repostado antes de poner en marcha el motor.
- Nunca reposte en un espacio cerrado, como dentro de una habitación. Si lo hace, se puede provocar una explosión debido a la acumulación del vapor de combustible a nivel del suelo.



- El combustible solamente se debe transportar y almacenar en recipientes homologados. Asegúrese de que el combustible almacenado no esté al alcance de los niños.

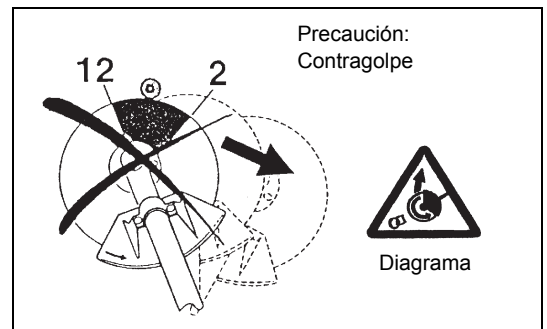
Método de trabajo

- Utilice la desbrozadora y las herramientas únicamente cuando haya una buena iluminación y visibilidad. Durante el invierno, tenga cuidado con las zonas resbaladizas o mojadas, como zonas heladas o cubiertas por la nieve (riesgo de resbalar). Asegúrese siempre de que sus pies estén en una posición segura.
- No corte nunca por encima de la altura de la cintura.
- No se suba nunca a una escalera mientras utilice la desbrozadora.
- No se suba a árboles mientras utilice la desbrozadora.
- No trabaje nunca en superficies inestables.
- Elimine la arena, piedras, clavos, etc. que se encuentren en el área de trabajo.
Los objetos extraños pueden dañar la herramienta de corte y provocar peligrosos contragolpes.
- Antes de empezar a cortar, asegúrese de que la herramienta de corte haya alcanzado la velocidad de trabajo máxima.
- Si se atascan césped o ramas entre la herramienta de corte y la protección, detenga siempre el motor antes de la limpieza. De lo contrario, el contacto accidental con las cuchillas que están girando puede provocar lesiones graves.
- Descanse para evitar la pérdida de control causada por la fatiga.
Recomendamos descansar de 10 a 20 minutos cada hora.



Contragolpe (empuje de la cuchilla)

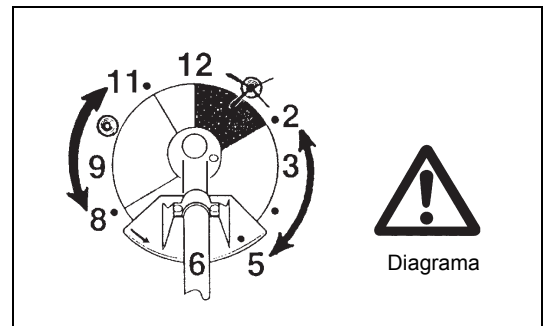
- Cuando utilice la desbrozadora pueden producirse contragolpes incontrolados.
- Los contragolpes se suelen producir cuando intenta cortar con la sección entre las posiciones de las 12 y las 2 en punto de la cuchilla.
- Nunca aplique la sección entre las posiciones de las 12 y las 2 de la cuchilla de la desbrozadora.
- Nunca aplique esta sección de la cuchilla de la desbrozadora a objetos sólidos, como arbustos o árboles, etc. que tengan un diámetro superior a 3 cm. En caso contrario, la desbrozadora se desviará con gran fuerza, lo que es extremadamente peligroso y puede provocar lesiones.



Prevención de contragolpes

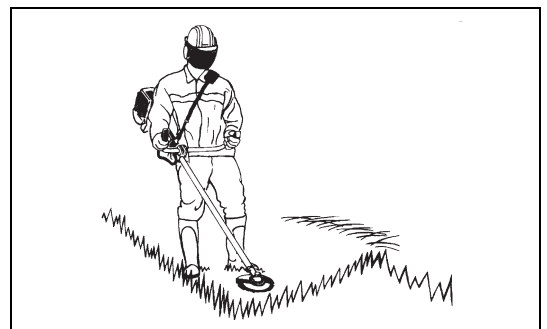
Para evitar contragolpes, recuerde lo siguiente:

- Utilizar la sección entre las posiciones de las 12 y las 2 en punto de la cuchilla es extremadamente peligroso, especialmente cuando utilice herramientas de corte metálicas.
- Las operaciones de corte con la sección entre las posiciones de las 11 y las 12 en punto y entre las posiciones de las 2 y las 5 en punto sólo deben realizarlas operadores con experiencia y formación y únicamente bajo su propio riesgo.
La sección de corte óptima para lograr un corte sencillo sin casi contragolpes se encuentra entre las secciones de las 8 y las 11 en punto de la cuchilla.



Herramientas de corte

- Utilice una herramienta de corte adecuada para el trabajo que realice.
Los cabezales de corte de nylon (cabezales de desbrozadora) son adecuados para cortar césped.
Las cuchillas metálicas son adecuadas para cortar maleza, hierba alta, arbustos, matorrales, sotobosque y vegetación similar.
Nunca utilice otras cuchillas, incluyendo cadenas metálicas pivotantes de varias piezas ni cuchillas trilladoras. De lo contrario, se pueden producir lesiones graves.
- Cuando utilice cuchillas metálicas, evite el "contragolpe" y esté siempre preparado para un contragolpe accidental. Consulte las secciones "Contragolpe" y "Prevención de contragolpes".



Instrucciones de mantenimiento

- Haga que su equipo sea sometido a tareas de mantenimiento en nuestro centro de servicio autorizado, utilizando siempre y de forma exclusiva recambios originales. Una reparación incorrecta y un mantenimiento deficiente pueden acortar la vida útil del equipo y aumentar el riesgo de accidentes.
- Compruebe siempre el estado de la desbrozadora, especialmente los dispositivos de protección y la correa para el hombro, antes de empezar a trabajar. También debe prestarse especial atención a las cuchillas de corte, que deben estar afiladas correctamente.
- Apague el motor y quite el conector de la bujía cuando sustituya o afile las herramientas de corte y también cuando limpie la desbrozadora o la herramienta de corte.

Nunca enderece ni suelle las herramientas de corte estropeadas.

- Utilice la desbrozadora de forma que haga el mínimo ruido y contaminación posibles. En concreto, compruebe si el carburador se ha ajustado correctamente.
- Limpie la desbrozadora periódicamente y compruebe que todos los tornillos y tuercas estén bien apretados.
- Nunca realice trabajos de mantenimiento o almacene la desbrozadora en la proximidad de llamas.
- Guarde siempre la desbrozadora en habitaciones cerradas con llave y con el depósito de combustible vacío.
- Durante la limpieza, el mantenimiento y el almacenamiento del equipo, acople siempre la cubierta a la cuchilla de corte.

Respete las instrucciones aplicables de prevención de accidentes emitidas por las compañías de seguros y las asociaciones comerciales relevantes.

No realice ninguna modificación en la desbrozadora, ya que esto pondría en peligro su seguridad.

Los trabajos de mantenimiento o reparación que puede realizar el usuario se limitan a las actividades descritas en este manual de instrucciones. Todos los demás trabajos los realiza un agente de servicio autorizado. Utilice únicamente accesorios y piezas de repuesto genuinos suministrados por MAKITA.

El uso de accesorios y herramientas no aprobados implicará un aumento del riesgo de accidentes.

MAKITA no acepta ninguna responsabilidad por los accidentes o los daños causados por el uso de herramientas de corte no aprobadas, por la reparación de las herramientas de corte o por accesorios.

Primeros auxilios

En caso de accidente, asegúrese de que cerca del lugar en el que se realicen las operaciones de corte esté disponible un botiquín de primeros auxilios.

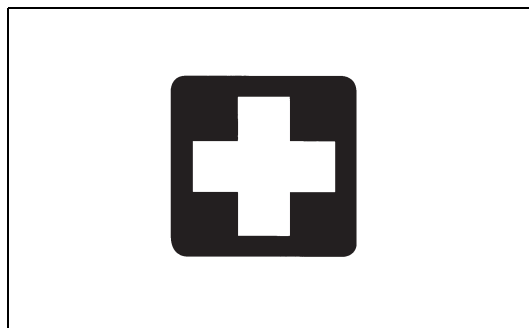
Reponga inmediatamente cualquier artículo que tome del botiquín de primeros auxilios.

Cuando solicite ayuda, proporcione la siguiente información:

- Lugar del accidente
- Qué ha ocurrido
- Número de personas heridas
- Tipo de lesiones
- Su nombre

Vibración

- Las personas con problemas circulatorios que están expuestas a vibraciones excesivas pueden sufrir lesiones en los vasos sanguíneos o en el sistema nervioso. La vibración puede provocar los siguientes síntomas en los dedos, manos o muñecas: "adormecimiento", hormigueo, dolor, sensación punzante, alteración del color de la piel o de la piel. Si sufre alguno de estos síntomas, acuda a un médico.
- Para reducir el riesgo de "enfermedad de dedos blancos", mantenga las manos calientes durante las operaciones y realice un buen mantenimiento del equipo y los accesorios.



Sólo para países europeos

Declaración de conformidad de la CE

Nosotros, Makita Corporation, en calidad de fabricante responsable, declaramos que las siguientes máquinas Makita:

Designación de la máquina: Desbrozadora

Nº de modelo/Tipo: EM2600U, EM2600L

Especificaciones: consulte la tabla "DATOS TÉCNICOS"

son de producción serie y

Cumplen con las siguientes Directivas europeas:

2000/14/CE, 2006/42/CE, 2004/108/CE

Y se han fabricado de acuerdo con los siguientes estándares o documentos estandarizados:

EN ISO 11806-1, EN ISO 14982

La documentación técnica la conserva:

Makita International Europe Ltd., Technical Department,

Michigan Drive, Tongwell, Milton Keynes, Bucks MK15 8JD, Inglaterra

El procedimiento de evaluación de conformidad requerido por la Directiva 2000/14/CE se realizó de acuerdo con el anexo V.

Nivel de potencia sonora medido (como cortadora de césped): 109,77 dB

Nivel de potencia sonora medido (como desbrozadora): 107,29 dB

Nivel de potencia sonora garantizado: 112 dB

15. 4. 2013

A handwritten signature in black ink, appearing to read 'Tomoyasu Kato'.

Tomoyasu Kato
Director

Makita Corporation
3-11-8, Sumiyoshi-cho,
Anjo, Aichi, JAPAN

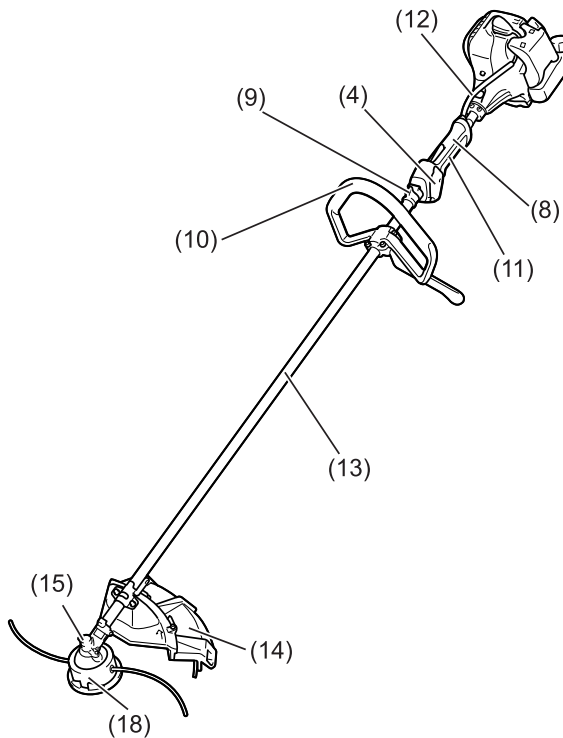
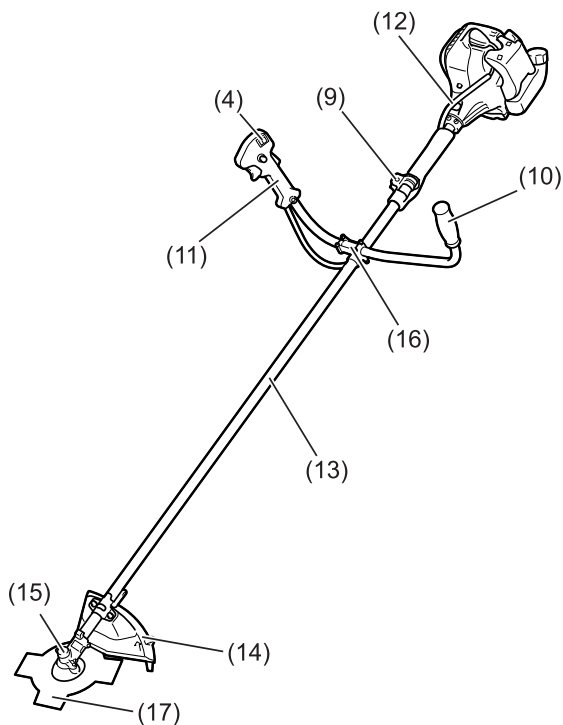
Datos técnicos

Modelo		EM2600U	EM2600L
		Asidero en U	Asidero circular
Dimensiones: largo x ancho x alto (sin cuchilla de corte)		1.770 x 610 x 410 mm	1.770 x 330 x 185 mm
Peso neto		5 kg	5 kg
Cilindrada del motor		25,7 cm ³	
Potencia máxima del motor		0,83 kW	
Frecuencia de giro máxima del husillo		8.800 min ⁻¹	
Accesorio de corte	Cuchilla metálica de una sola pieza	φ230 mm	
	Cabezal de desbrozadora	φ430 mm	
Velocidad de ralenti		3.000/min	
Velocidad de acoplamiento de embrague		4.100/min	
Relación de engranajes		14/19	
Combustible		Mezcla de combustible Gasolina: Aceite para motores de dos tiempos = 50:1	
Volumen (depósito de combustible)		0,6 L	
Carburador		WALBRO WYC	
Bujía		NGK BPMR7A	
Separación entre electrodos		0,6 - 0,7 mm	
Vibración: (como desbrozadora)	Asidero izquierdo (empuñadura delantera)	14,680 m/s ² K = 1,5 m/s ²	5,152 m/s ² K = 1,5 m/s ²
	Asidero derecho (empuñadura trasera)	9,037 m/s ² K = 1,5 m/s ²	9,677 m/s ² K = 1,5 m/s ²
Vibración: (como cortadora de césped)	Asidero izquierdo (empuñadura delantera)	7,961 m/s ² K = 1,5 m/s ²	8,83 m/s ² K = 1,5 m/s ²
	Asidero derecho (empuñadura delantera)	7,019 m/s ² K = 1,5 m/s ²	14,381 m/s ² K = 1,5 m/s ²
Ruido (probado de acuerdo con 2000/14/CE y 2005/88/CE):			
Nivel de presión de sonido en la posición del operador (cortadora de césped):		98,52 dB (A) K = 2,5 dB (A)	
Nivel de presión de sonido en la posición del operador (desbrozadora):		96,15 dB (A) K = 2,5 dB (A)	
Nivel de potencia sonora medido (cortadora de césped):		109,77 dB (A) K = 2,5 dB (A)	
Nivel de potencia sonora medido (desbrozadora):		107,29 dB (A) K = 2,5 dB (A)	
Ruido (probado de acuerdo con 2000/14/CE y 2005/88/CE): valores de potencia de sonido garantizados		112 dB (A)	

Denominación de las piezas

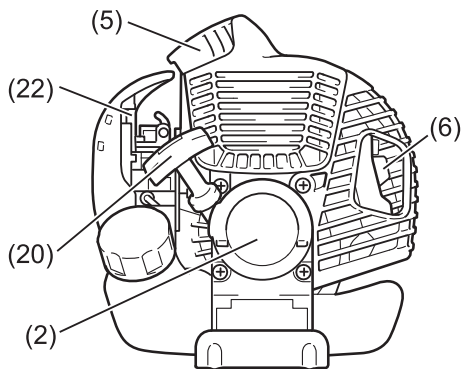
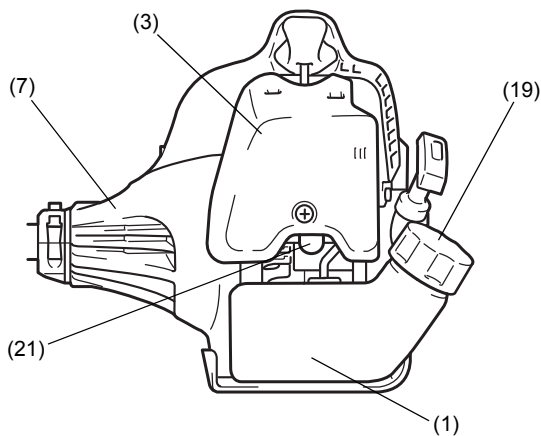
EM2600U

Tipo de asidero en U



EM2600L

Tipo de asidero circular



	Denominación de las piezas
1	Depósito de combustible
2	Arrancador de retroceso
3	Filtro de aire
4	Interruptor I-Parada (encendido/apagado)/Interruptor de arranque-parada
5	Bujía
6	Silenciador de escape
7	Caja del embrague
8	Empuñadura trasera
9	Gancho
10	Asidero
11	Palanca de control
12	Cable de control
13	Eje
14	Protector (protección de la herramienta de corte)
15	Caja de engranajes
16	Agarre del asidero
17	Cuchilla de corte
18	Cabezal de corte de nylon
19	Tapa de relleno de combustible
20	Empuñadura de arranque
21	Bomba de cebado
22	Palanca del estrangulador

Montaje del asidero

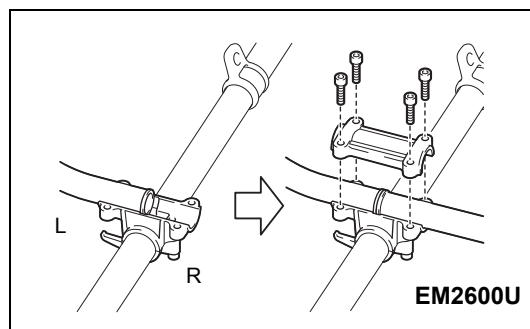
PRECAUCIÓN: Antes de realizar algún trabajo en la desbrozadora, detenga siempre el motor y desconecte el conector de la bujía. Utilice siempre guantes de protección.

PRECAUCIÓN: Asegúrese de volver a montar la desbrozadora completamente antes de ponerla en marcha.

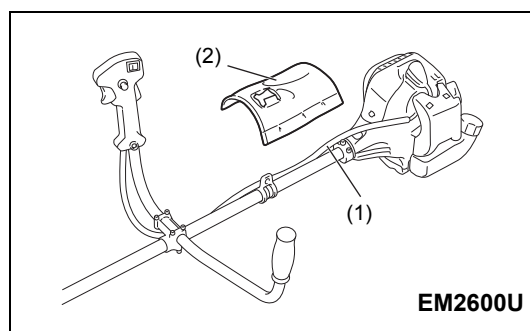


Para modelos con el asidero en forma de U

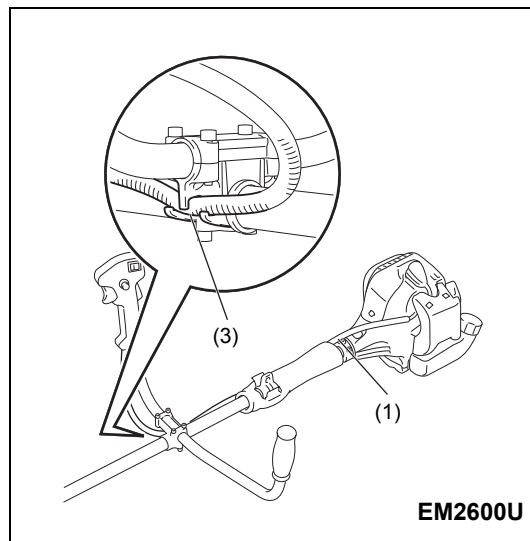
- Coloque los dos asideros en el agarre del asidero. La palanca de control debe encontrarse en el lado derecho cuando se mira hacia la herramienta de corte.
- Encaje los extremos del asidero en la ranura del agarre del asidero y acople la abrazadera en ellos. Apriételos ligeramente con cuatro pernos para realizar el ajuste.
- Ajuste el ángulo de los asideros y después apriete todos los pernos uniformemente con una llave hexagonal.



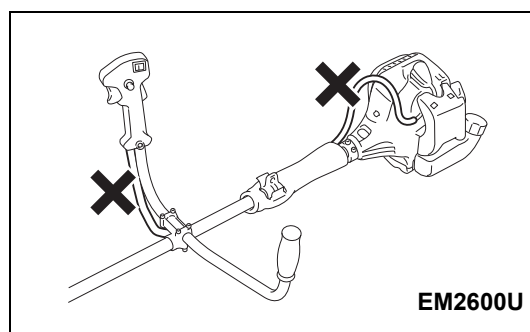
- Coloque el cable de la mariposa de gases (1) en el lado de la palanca de control del eje. A continuación, envuélvalo junto con el eje con la almohadilla de cintura (2).



- Inserte el cable de la mariposa de gases (1) en la ranura de apriete (3) del agarre del asidero.
- Asegúrese de que el cable de la mariposa de gases se coloque tal y como se muestra.
- Accione la palanca de control y asegúrese de que se mueva suavemente.

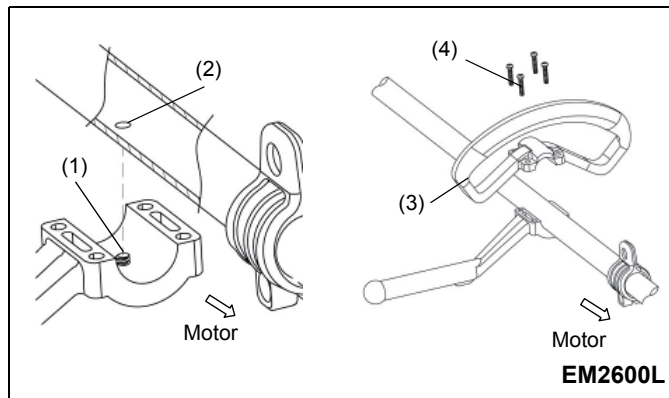


PRECAUCIÓN: No coloque el cable de la mariposa de gases tal y como se muestra. De lo contrario, la curvatura del cable puede provocar una elevada velocidad de ralentí y una cuchilla sin control puede provocar lesiones personales.



Para el modelo de asidero circular

- Coloque la rosca (1) del agarre del asidero en el orificio de ubicación (2) del tubo.
- Fije el asidero de asistencia (3) en la barrera.
- Apriete los 4 pernos (4) M5 x 30.

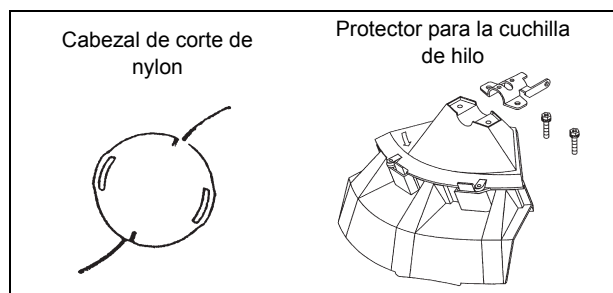
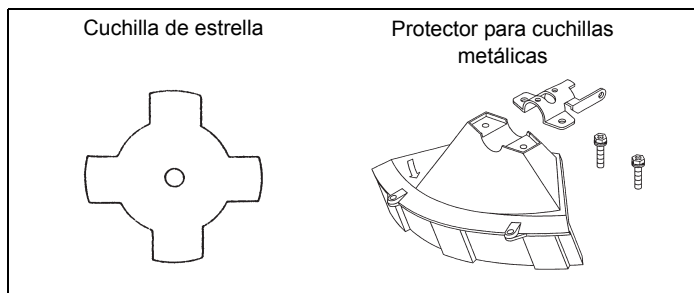


Montaje del protector

Para cumplir con las normas de seguridad aplicables, sólo se deben usar las combinaciones de protector y herramienta especificadas en la tabla.

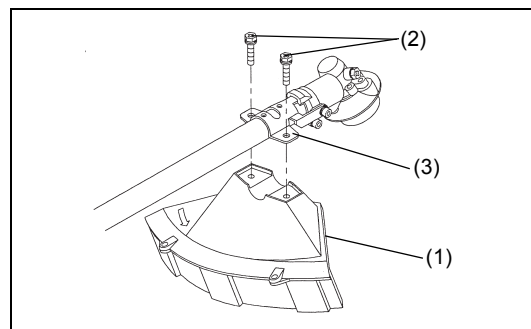
Utilice siempre cabezales de corte de nylon y cuchillas de corte genuinas de MAKITA.

- La cuchilla de corte deberá estar afilada, sin grietas ni roturas. Si la cuchilla golpea una piedra durante el uso, detenga la herramienta y compruebe la cuchilla inmediatamente.
- Afile o reemplace la cuchilla cada tres horas de funcionamiento.
- Si el cabezal de corte de nylon golpea una piedra durante el uso, detenga la herramienta y compruebe el cabezal de corte de nylon inmediatamente.

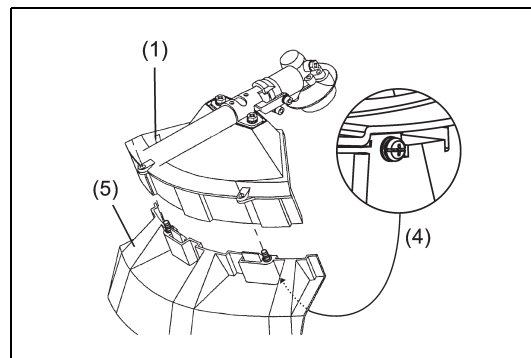


PRECAUCIÓN: Siempre deben estar instalados los protectores adecuados por su propia seguridad y para cumplir con las normativas de prevención de accidentes. Se prohíbe el uso del equipo sin las protecciones instaladas.

- Fije el protector (1) a la abrazadera (3) con dos pernos M6 x 30 (2).



- Cuando utilice el cabezal de corte de nylon, fije el protector (5) en el protector (1) y apriételos con dos tornillos (4).

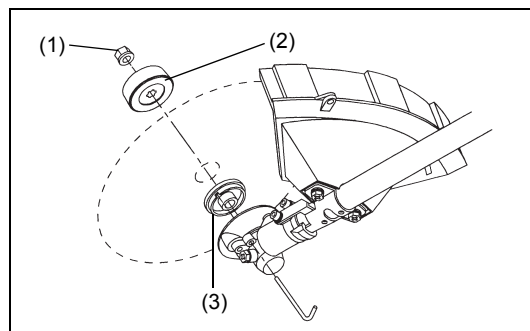


Montaje de la cuchilla de corte/cabezal de corte de nylon

La cuchilla de corte o el cabezal de corte de nylon se pueden reemplazar fácilmente dando la vuelta al equipo.



- Inserte la llave hexagonal en el orificio de la caja de engranajes y gire la arandela de apoyo (3) hasta que quede bloqueada con la llave hexagonal.
- Afloje la tuerca/arandela con muelle (1) (rosca hacia la izquierda) con la llave de vaso y retire la tuerca/arandela con muelle (1) y la arandela de apriete (2).



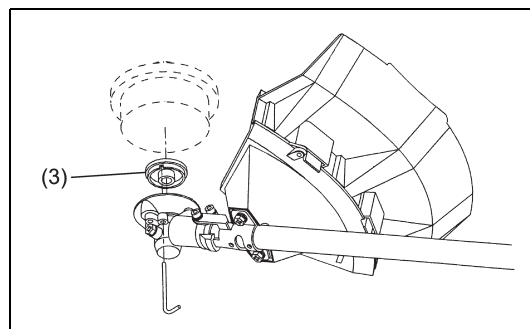
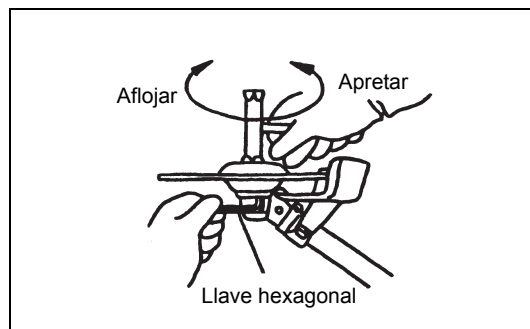
Con la llave hexagonal aún colocada

- Monte la cuchilla en el eje para que la guía de la arandela de apoyo (3) se ajuste al orificio del eje de la cuchilla. Instale la arandela de apriete (2) y fije la cuchilla con la tuerca/arandela con muelle (1).
- [Par de apriete: 13 - 23 N-m]

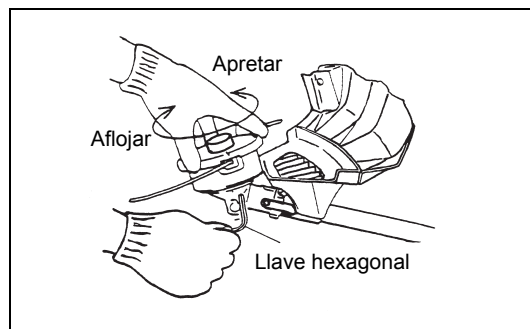
NOTA: Utilice siempre guantes cuando maneje la cuchilla.

NOTA: La tuerca de apriete de la cuchilla (con una arandela con muelle) es una parte desechable. Si se aprecia algún desgaste o deformación en la arandela de muelle, reemplace la tuerca.

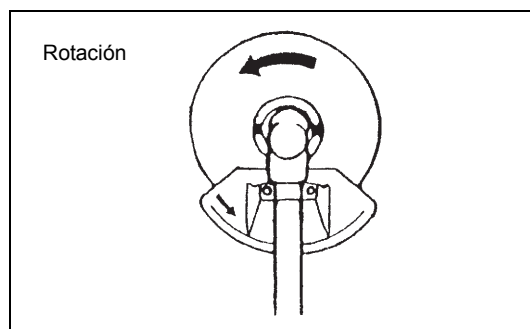
NOTA: La arandela de apriete (2) y la tuerca/arandela con muelle (1) no son necesarias para montar el cabezal de corte de nylon. El cabezal de nylon debe colocarse encima de la arandela de apoyo (3).



- Atornille el cabezal de corte de nylon en el eje.



- Asegúrese de que la cuchilla gire en el sentido contrario a las agujas del reloj.





Manejo del combustible

Tenga el máximo cuidado cuando maneje el combustible. El combustible puede contener sustancias similares a los disolventes. Reposte en una habitación bien ventilada o al aire libre. No inhale el vapor de combustible y evite cualquier contacto del combustible o del aceite con su piel.

Los productos de aceite mineral eliminan la grasa de su piel. El contacto prolongado de la piel con estos productos hará que la piel se reseque extremadamente, lo que puede provocar varios tipos de enfermedades en la piel. También pueden producirse reacciones alérgicas.

Los ojos pueden irritarse al entrar en contacto con el aceite. Si sus ojos entran en contacto con el aceite, lávelos inmediatamente con agua potable. Si sus ojos continúan irritados, acuda inmediatamente a un médico.



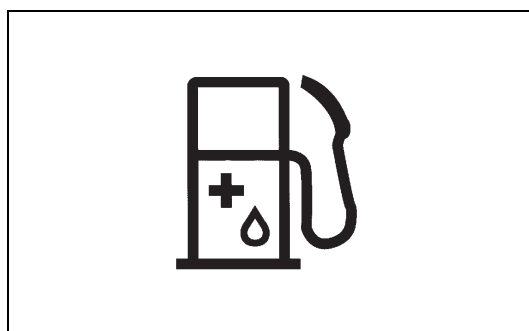
Mezcla de combustible y aceite

El motor de la desbrozadora es un motor de dos tiempos muy eficaz. Funciona con una mezcla de combustible y aceite para motores de dos tiempos. El motor se ha diseñado para que funcione con combustible normal sin plomo, con un octanaje mínimo de 91 RON.

Para obtener un rendimiento óptimo del motor y para proteger su salud y el medio ambiente, utilice sólo combustible sin plomo.

Para lubricar el motor, añada un aceite para motor de dos tiempos (grado de calidad: JASO FC o ISO EGD) al combustible. El motor se ha diseñado para utilizar el aceite para motor de dos tiempos con una relación de mezcla de 50:1 para proteger el medioambiente.

Además, se asegurará una larga vida de servicio y un funcionamiento fiable con el mínimo de emisiones de gas de escape. No se puede garantizar un funcionamiento fiable de la desbrozadora a menos que se utilice esta relación de mezcla de 50:1 (aceite para motor de dos tiempos especificado) de forma estricta.



Relación de mezcla correcta:

Gasolina: Aceite para motor de dos tiempos especificado = 50 : 1 o bien

Gasolina: Aceite para motor de dos tiempos de otro fabricante = 25 : 1 recomendado

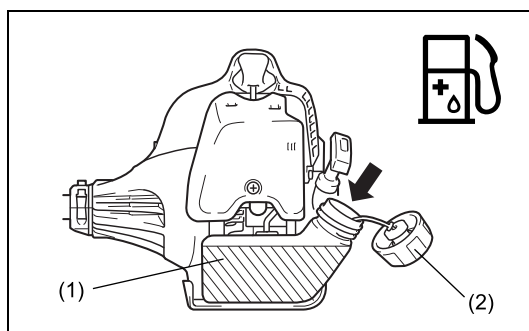
NOTA: Para preparar la mezcla de combustible y aceite, primero mezcle todo el aceite con la mitad del combustible necesario y, a continuación, añada el combustible restante. Agite bien la mezcla antes de verterla en el depósito de la desbrozadora. Para garantizar un uso seguro, no añada más aceite para motor que la cantidad especificada. Esto solo producirá más residuos de la combustión, que contaminarán el medio ambiente y obstruirán el canal de escape del cilindro y el silenciador. Además, el consumo de combustible aumentará y el rendimiento disminuirá.

Gasolina	50:1	25:1
	+	
1.000 cm ³ (1 litro)	20 cm ³	40 cm ³
5.000 cm ³ (5 litros)	100 cm ³	200 cm ³
10.000 cm ³ (10 litros)	200 cm ³	400 cm ³

Repostaje

El motor debe estar apagado.

- Limpie minuciosamente el área alrededor de la tapa de relleno de combustible (2) para evitar que entre suciedad en el depósito de combustible (1).
- Desenrosque la tapa de relleno de combustible (2) y rellene el depósito con combustible.
- Apriete firmemente la tapa de relleno de combustible (2).
- Limpie la tapa de relleno de combustible (2) y el depósito tras el repostaje.



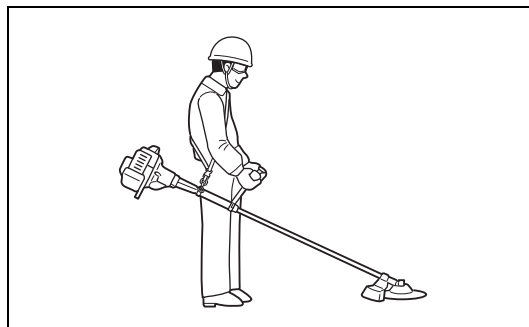
Almacenamiento del combustible

El combustible no se puede guardar durante un período de tiempo ilimitado. Compre solamente la cantidad necesaria para 4 semanas de uso. Utilice únicamente recipientes homologados para el almacenamiento de combustible.

Manejo correcto

Instalación de la correa para el hombro

- Ajuste la longitud de la correa para el hombro de forma que la cuchilla quede paralela al suelo.

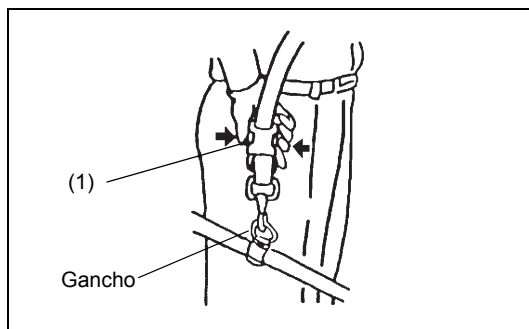


Separación

- En caso de emergencia, pulse las muescas (1) de ambos lados y suelte el equipo. Tenga mucho cuidado para mantener el control del equipo en ese momento. No permita que el equipo se desvíe hacia usted o hacia cualquiera que se encuentre cerca de usted.

ADVERTENCIA: Si no se mantiene un control completo de la máquina, se pueden causar lesiones graves o la MUERTE.

Nota: En algunos países, la correa de hombro no tiene esta función de desacoplamiento.



Aspectos importantes del manejo/parada de la desbrozadora

Respete las normativas de prevención de accidentes aplicables.



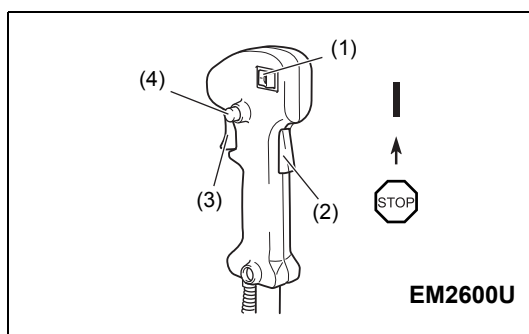
Arranque

Aléjese como mínimo 3 m de la zona en la que ha repostado el equipo. Coloque la desbrozadora sobre un lugar despejado, con cuidado de que la herramienta de corte no entre en contacto con el suelo u otros objetos.

ADVERTENCIA: Tenga en cuenta que la herramienta de corte gira inmediatamente tras ponerse en marcha el motor.

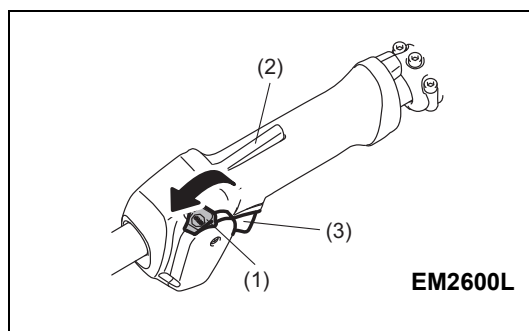
Arranque en frío para modelos con el asidero en forma de U

- Pulse el interruptor I-Parada (encendido/apagado) (1) tal y como se muestra en la ilustración.
- Sujete el asidero (al presionar con la mano se activa la palanca de desbloqueo de seguridad (2)).
- Pulse la palanca de la mariposa de gases (3) y manténgala pulsada.
- Pulse el botón de bloqueo (4) y libere la palanca de control; a continuación, suelte el botón de bloqueo (el botón de bloqueo sujeta la palanca de la mariposa de gases en la posición de arranque).



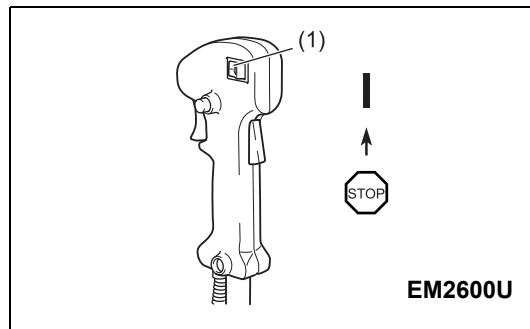
Arranque en frío para modelos con el asidero circular

- Pulse el interruptor arranque-parada (1) hasta la posición de arranque tal y como se muestra en la ilustración.
- Sujete el asidero (al presionar con la mano se activa la palanca de desbloqueo de seguridad (2)).
- Pulse la palanca de la mariposa de gases (3) y manténgala pulsada.
- Pulse el interruptor de arranque-parada (1) hasta la posición de arranque y suelte la palanca de control, a continuación, libere el interruptor de arranque-parada (el interruptor de arranque-parada mantiene la palanca de la mariposa de gases en la posición de puesta en marcha).



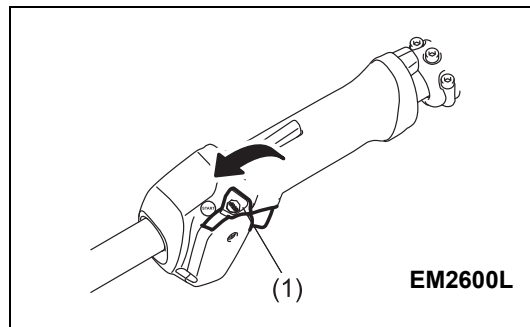
Arranque en caliente para modelos con el asidero en forma de U

- Pulse el interruptor I-Parada (encendido/apagado) (1) tal y como se muestra en la ilustración.



Arranque en caliente para modelos con el asidero circular

- Pulse el interruptor arranque-parada (1) hasta la posición neutra tal y como se muestra en la ilustración.

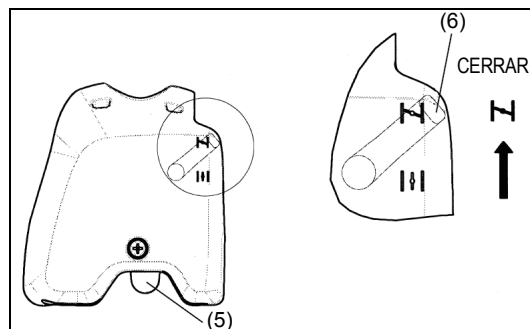


- En primer lugar, coloque la desbrozadora en el suelo.
- Pulse suavemente la bomba de cebado (5) de forma repetida (7-10 veces) hasta que el combustible entre en la bomba de cebado.

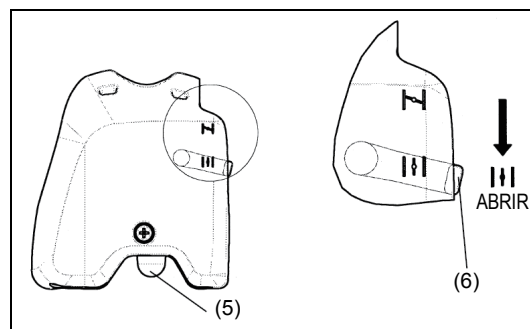
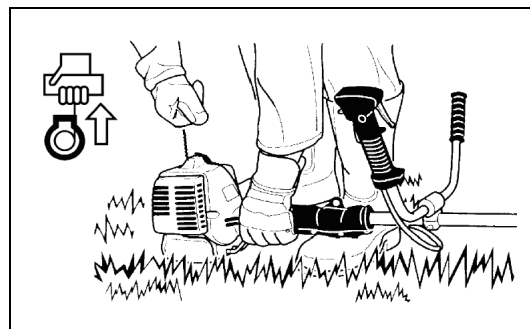
- Cierre la palanca del estrangulador (6).

Apertura del estrangulador:

- Totalmente cerrado en temperaturas frías o cuando el motor está frío
- Totalmente o medio abierto para volver a arrancar cuando el motor aún está caliente



- Sujete firmemente la caja del embrague con su mano izquierda, tal como se muestra.
- Tire lentamente de la empuñadura de arranque hasta que note cierta resistencia y, a continuación, tire con fuerza de ella.
- No tire por completo de la cuerda de arranque y no permita que la empuñadura de arranque se retraiga por sí misma. Mantenga el control sobre la cuerda de arranque y asegúrese de que se retrae lentamente.
- Repita la operación de arranque hasta que oiga el ruido de arranque del motor.
- Presione la palanca del estrangulador (6) (↓) y vuelva a tirar de la cuerda de arranque hasta que el motor se ponga en marcha.
- En cuanto arranque el motor, apriete y suelte inmediatamente el control de la mariposa de gases para soltar el bloqueo de apertura media de la mariposa y permitir que el motor funcione al ralentí.
- Deje que el motor funcione durante aproximadamente un minuto a una velocidad moderada antes de que funcione a la máxima velocidad.



- NOTA: - Si tira repetidamente de la empuñadura de arranque cuando la palanca del estrangulador se encuentra en la posición "↓", el motor no se pondrá en marcha fácilmente a causa del exceso de entrada de combustible.
- Si se produce una entrada excesiva de combustible, extraiga la bujía y tire lentamente de la empuñadura de arranque para eliminar el exceso de combustible. Asimismo, seque la sección del electrodo de la bujía.

Precaución durante el funcionamiento:

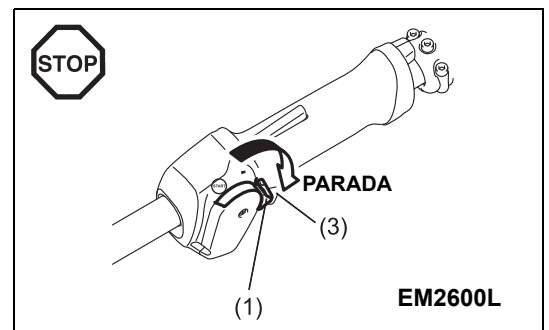
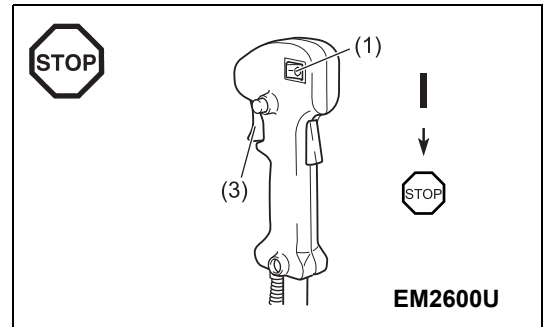
Si la palanca de la mariposa de gases se abre completamente durante el funcionamiento sin carga, las revoluciones del motor aumentan por encima de las 10.000 min⁻¹. Nunca haga funcionar el motor a una velocidad superior a la necesaria y mantenga las revoluciones a una velocidad aproximada de 6.000 - 8.000 min⁻¹.

PRECAUCIÓN: Reduzca siempre las revoluciones del motor cuando el equipo no se utilice para trabajar.

El uso del equipo a altas revoluciones cuando no se usa para trabajar acortará la vida útil del equipo.

Parada

- Suelte la palanca de la mariposa de gases (3) completamente y, cuando se hayan reducido las rpm del motor, empuje el Interruptor I-Parada (encendido/apagado)/Interruptor de arranque-parada (1) hasta la posición "PARADA" (STOP) para detener el motor.
- Tenga en cuenta que es posible que el cabezal de corte no se detenga inmediatamente y deje siempre que reduzca su velocidad y se pare completamente por sí mismo.



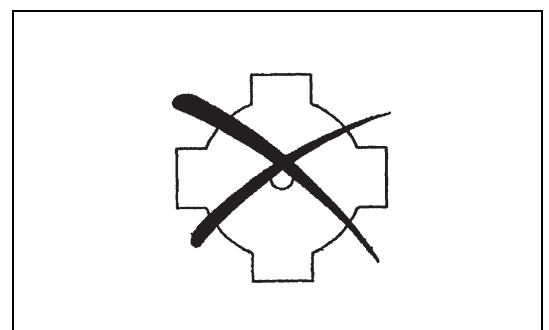
Afilado de la herramienta de corte

PRECAUCIÓN: Las herramientas de corte mencionadas a continuación sólo deben afilarse en un centro autorizado. El afilado manual causará desequilibrios en la herramienta de corte que causarán vibraciones y daños en el equipo.

- cuchilla de corte (cuchilla de estrella (4 dientes))

Los agentes de servicio autorizados proporcionan un servicio de afilado y equilibrado profesional.

NOTA: Para aumentar la duración de la cuchilla de corte (cuchilla de estrella) dé la vuelta a la cuchilla para que se gasten ambos lados.



CABEZAL DE CORTE DE NYLON

El cabezal de corte de nylon es un cabezal de corte de dos líneas que tiene un mecanismo de sacudida y avance.

El cabezal de corte de nylon extiende el hilo de nylon tras dar una sacudida al cabezal de corte contra el suelo.

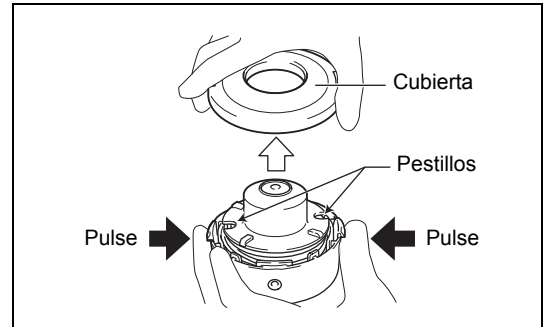
Funcionamiento

- El área más efectiva de corte se muestra mediante el área sombreada.
- Para extender el hilo de nylon, aumente la velocidad del cabezal de corte de nylon a aproximadamente 6.000 min^{-1} y golpee el cabezal de corte de nylon suavemente contra el suelo.
- Si el cabezal de corte de nylon no extiende el hilo al darle una sacudida, rebobine o sustituya el hilo de nylon siguiendo los procedimientos que se describen en "Reemplazo del hilo de nylon."

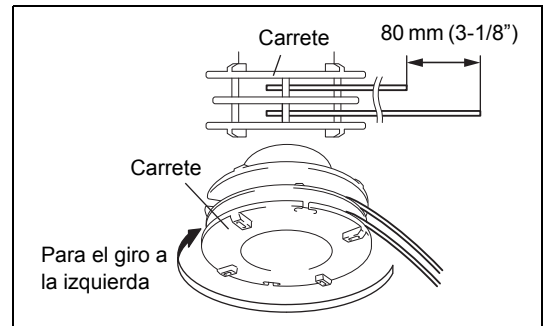


Reemplazo del hilo de nylon

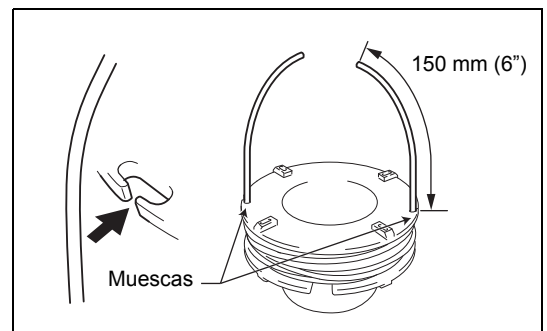
- Pare el motor.
- Pulse los pestillos del alojamiento hacia dentro para levantar la cubierta y retire el carrete.



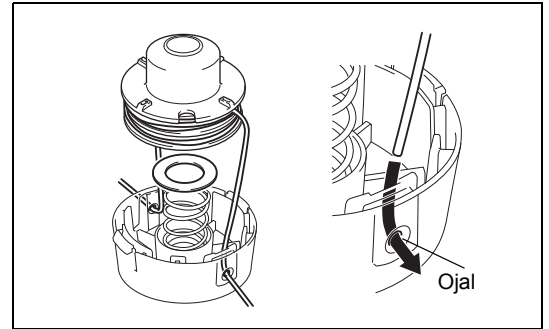
- Enganche el centro del nuevo hilo de nylon en la muesca del centro del carrete, con un extremo del hilo extendido unos 80 mm (3-1/8") más que el otro. A continuación, enrolle ambos extremos firmemente alrededor del carrete en la dirección de giro del cabezal (dirección hacia la izquierda indicada por la marca LH y dirección hacia la derecha indicada por la marca RH en el lateral del carrete).



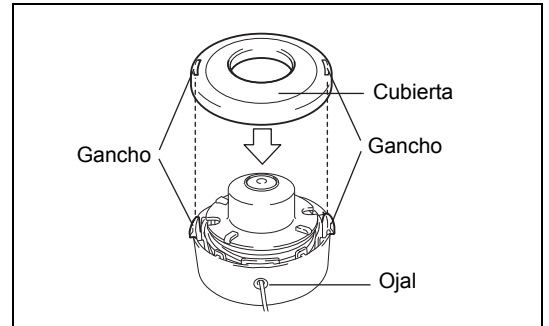
- Enrolle la totalidad del hilo, excepto unos 150 mm (6"), alrededor del carrete, dejando los extremos temporalmente enganchedos en la muesca alrededor del pomo del lateral del carrete.



- Haga pasar los hilos a través de los ojales para que salgan del alojamiento. Monte la arandela, el muelle y el carrete en el alojamiento.



- Alinee los ganchos de la cubierta y el alojamiento. A continuación, empuje la cubierta firmemente sobre el alojamiento para fijarlo.



Instrucciones de servicio

Instrucciones de servicio

PRECAUCIÓN: Antes de realizar cualquier tipo de trabajo de mantenimiento en la desbrozadora, apague siempre el motor y desconecte el capuchón de la bujía (consulte "Comprobación de la bujía"). Utilice siempre guantes de protección.

PRECAUCIÓN: Nunca extraiga usted mismo el arranque retráctil. Si lo hace, puede provocar un accidente. Este procedimiento sólo debe realizarlo un agente de servicio técnico autorizado.

Para garantizar una larga vida útil y para evitar daños en el equipo, realice las siguientes operaciones de mantenimiento periódicamente.

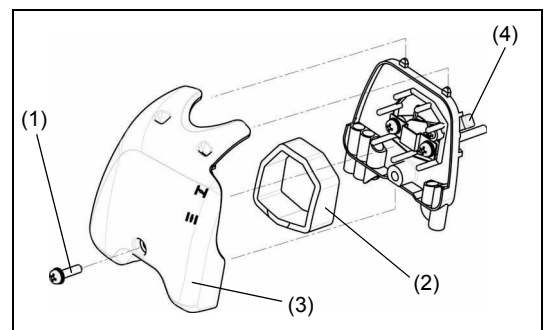
Inspección diaria y mantenimiento

- Antes de la puesta en funcionamiento, compruebe la desbrozadora por si tiene tornillos flojos o si faltan piezas. Preste especial atención al apriete de la cuchilla o del cabezal de corte de nylon.
- Antes de la puesta en funcionamiento, compruebe siempre que el conducto de paso de aire y las aletas del cilindro no estén obstruidos. Límpielos si es necesario.
- Realice diariamente las siguientes operaciones de mantenimiento tras el uso:
 - Limpie el exterior de la desbrozadora e inspecciónela por si está estropeada.
 - Limpie el filtro de aire. Cuando trabaje en condiciones extremas de polvo, limpie el filtro varias veces al día.
 - Compruebe si la cuchilla o el cabezal de corte de nylon están estropeados y asegúrese de que se hayan montado firmemente.
 - Compruebe que haya una diferencia suficiente entre la velocidad de ralentí y la velocidad de trabajo para garantizar que la herramienta de corte esté parada mientras el motor funciona al ralentí (si es necesario, reduzca la velocidad de ralentí). Si la herramienta de corte sigue girando mientras el motor está al ralentí, consulte con su agente de servicio técnico autorizado más cercano.
- Compruebe si el interruptor I-Parada (encendido/apagado)/interruptor de arranque-parada, la palanca de desbloqueo, la palanca de control y el botón de bloqueo funcionan correctamente.



Limpieza del filtro de aire

- Gire la palanca del estrangulador (4) hasta el lado de cierre total y mantenga el carburador alejado del polvo o de la suciedad.
- Extraiga el tornillo (1).
- Extraiga la cubierta del filtro del aire (3).
- Quite el elemento de espuma (2), lávelo en agua templada y séquelo completamente.
- Tras la limpieza, vuelva a colocar la cubierta del filtro de aire (3) y apriétela con el tornillo (1).

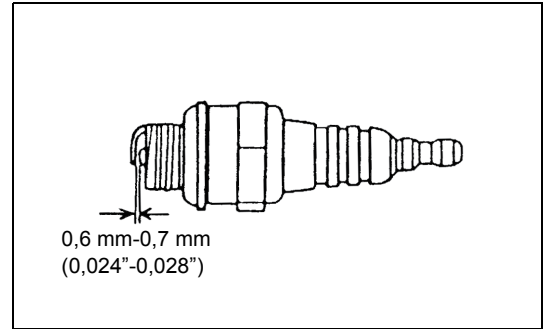


NOTA: Si el filtro de aire tiene adherido demasiado polvo o suciedad, límpielo todos los días. Un filtro de aire obstruido puede dificultar o imposibilitar la puesta en marcha del motor o el aumento de la velocidad de giro del motor.

Comprobación de la bujía

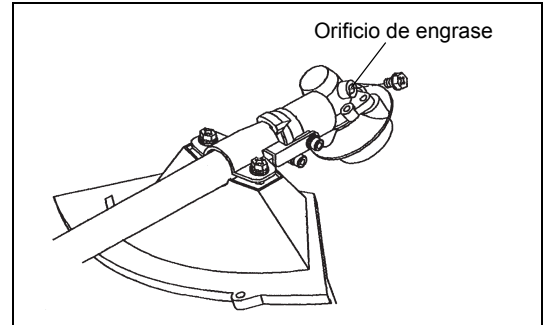
- Utilice solamente la llave de vaso suministrada para quitar o poner la bujía.
- La holgura entre los dos electrodos de la bujía debe ser de 0,6-0,7 mm (0,024"-0,028"). Si la holgura es demasiado grande o pequeña, ajústela. Si la bujía está obstruida con carbonilla o suciedad, límpiela minuciosamente o reemplácela.

PRECAUCIÓN: Nunca toque el conector de la bujía mientras el motor está funcionando (peligro de recibir una descarga eléctrica de alta tensión).



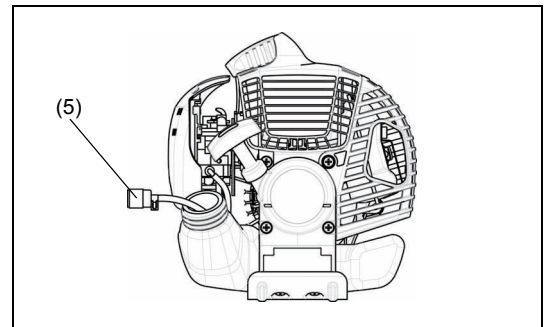
Suministro de grasa a la caja de engranajes

- Suministre grasa (Shell Alvania 2 o equivalente) a la caja de engranajes a través del orificio de engrase cada 30 horas. (Puede comprar grasa original de MAKITA en su distribuidor MAKITA.)



Cabezal de succión en el depósito de combustible

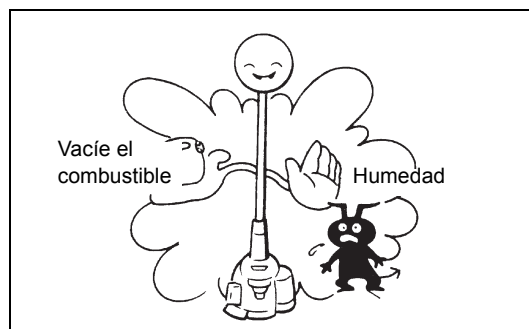
- El filtro de combustible (5) del cabezal de succión se utiliza para proporcionar el combustible necesario para el carburador.
- Inspeccione visualmente el filtro de combustible de forma periódica. Para inspeccionar el filtro, abra la tapa de relleno de combustible y utilice un gancho de alambre para extraer el cabezal de succión a través de la apertura del depósito. Reemplace el filtro si se ha endurecido, está especialmente sucio u obstruido.
- Un suministro de combustible insuficiente puede tener como resultado que se sobrepase la velocidad máxima permitida. Por lo tanto, el filtro de combustible debe reemplazarse como mínimo cada tres meses para garantizar un suministro de combustible satisfactorio al carburador.



Cualquier otro trabajo o ajuste de mantenimiento que no se describa en este manual sólo deben realizarlo agentes de servicio técnico autorizados.

Almacenamiento

- Cuando almacene el equipo durante un largo período de tiempo, vacíe todo el combustible del depósito de combustible y del carburador. Para ello, vacíe todo el combustible del depósito de combustible. Deseche el combustible que haya quitado de acuerdo con las leyes aplicables locales.
- Quite la bujía y añada unas gotas de aceite en el orificio de la bujía. A continuación, tire del arrancador suavemente de forma que el aceite cubra el interior del motor y, a continuación, apriete la bujía.
- Limpie el polvo o la suciedad de la cuchilla y la suciedad del exterior del motor con un trapo empapado en aceite. Almacene el equipo en un lugar seco.



Programa de mantenimiento

General	Conjunto del motor, tornillos y tuercas	Inspección visual de daños y aprietes Comprobación del estado general y la seguridad
Después de cada repostaje	Palanca de control Interruptor I-Parada (encendido/apagado)/Interruptor de arranque-parada	Comprobación funcional Comprobación funcional
Diariamente	Filtro de aire Conducto de aire de refrigeración Herramienta de corte Velocidad de ralentí	Debe limpiarse Debe limpiarse Comprobación de daños y del afilado Inspección (la herramienta de corte no se debe mover)
Semanalmente	Bujía Silenciador	Inspección, reemplazo si es necesario Inspección y limpieza de la apertura si es necesario
Cada tres meses	Cabezal de succión Depósito de combustible	Debe reemplazarse Debe limpiarse
Procedimiento de apagado	Depósito de combustible Carburador	Vaciado del depósito de combustible Haga funcionar el motor hasta que se agote el combustible

Localización y solución de averías

Avería	Sistema	Observación	Causa
El motor no arranca o arranca con dificultad	Sistema de encendido	Chispa de encendido correcta	Avería en el sistema de suministro de combustible o compresión, defecto mecánico
		No hay chispa de encendido	Se ha utilizado el interruptor I-Parada (encendido/apagado)/interruptor de arranque-parada, avería del cableado o cortocircuito, bujía o conector defectuoso, módulo de encendido defectuoso
	Suministro de combustible	Depósito de combustible lleno	Posición incorrecta del estrangulador, carburador defectuoso, línea de suministro de combustible doblada o bloqueada, combustible sucio
	Compresión	No hay compresión	La junta inferior del cilindro es defectuosa, los retenes del cigüeñal están dañados, el cilindro o los segmentos del pistón están dañados o el sellado de la bujía es incorrecto
Problemas de arranque en caliente	Avería mecánica	El arrancador no funciona	Muelle del arrancador roto, piezas rotas dentro del motor
		Depósito lleno. Chispa de encendido correcta	Carburador sucio, debe limpiarse
El motor arranca pero se para	Suministro de combustible	Depósito lleno	Ajuste del ralentí incorrecto, carburador sucio
Rendimiento insuficiente	Varios sistemas pueden verse afectados simultáneamente	Bajo ralentí del motor	Ventilación del depósito defectuosa, línea de suministro de combustible interrumpida, cable o interruptor I-Parada (encendido/apagado)/interruptor de arranque-parada
			Filtro de aire sucio, carburador sucio, silenciador obstruido, conducto de escape del cilindro obstruido

Obrigado por ter adquirido esta roçadeira a gasolina MAKITA. As roçadeiras a gasolina MAKITA foram desenvolvidas como o resultado dos nossos muitos anos de conhecimento, experiência e um programa de desenvolvimento detalhado.

Leia esta brochura cuidadosamente, para se certificar de que obtém o melhor desempenho possível e os fantásticos resultados que a sua roçadeira a gasolina MAKITA pode proporcionar.



Índice	Página
Símbolos	110
Instruções de segurança	111
Dados técnicos	115
Nomes de peças	116
Montar a pega	117
Montar o protector	118
Montar a lâmina de corte/cabeça de corte em nylon	119
Combustível/Reabastecimento de combustível	120
Manuseamento correcto	121
Pontos de funcionamento importantes/parar a roçadeira/máquina de cortar	121
Voltar a afiar a ferramenta de corte	123
Instruções de serviço	125
Armazenamento	127

Símbolos

Precisa de tomar atenção aos seguintes símbolos ao ler o manual de instruções.

	Leia o manual de instruções		Utilize protecção para os olhos e ouvidos (apenas para a roçadeira a gasolina)
	Tenha um cuidado e atenção especiais		Use um capacete e protecção para os óculos e ouvidos (apenas para a roçadeira a gasolina)
	Proibido		Não utilize lâminas de metal (apenas para a roçadeira a gasolina)
	Mantenha-se afastado		Velocidade máxima admissível da ferramenta
	Perigo de objectos voadores		Superfícies quentes - Queima dedos ou mãos
	Proibido fumar		Mistura de combustível e óleo
	Sem chamas abertas		Arranque manual do motor
	Deve utilizar luvas de protecção		Paragem de emergência
	Recuo		Primeiros-socorros
	Mantenha a área de funcionamento livre de pessoas e animais		LIGAR/ARRANCAR
	Use botas resistentes com solas não derrapantes. Recomenda-se a utilização de botas de segurança com biqueira de aço.		DESLIGAR/PARAR
			ARRANCAR

Instruções de segurança

Instruções gerais

- Para assegurar um funcionamento correcto, certifique-se de que lê e entende este manual de instruções para saber como se utiliza a roçadeira a gasolina. Utilizar este equipamento sem entender como operá-lo correctamente pode resultar em ferimentos graves em si ou em outros.
- Empreste a roçadeira a gasolina apenas a pessoas que tenham experiência comprovada na utilização de roçadeiras a gasolina. Empreste-lhes sempre este manual de instruções ao mesmo tempo.
- Se é a primeira vez que utiliza uma roçadeira com motor, consulte o seu revendedor para instruções básicas.
- Crianças e pessoas novas com menos de 18 anos não devem operar a roçadeira a gasolina. Pessoas com mais de 16 anos podem utilizar o dispositivo para efeitos de treino, apenas durante a supervisão de um formador qualificado.
- Utilize a roçadeira a gasolina com muito cuidado e atenção.
- Opere a roçadeira a gasolina apenas se estiver numa boa condição física. Efectue todos os trabalhos com calma e cuidado. Os utilizadores devem aceitar a responsabilidade pelos que estão em sua volta.
- Nunca utilize a roçadeira a gasolina após o consumo de álcool ou medicamentos, ou se estiver cansado ou doente.

AVISO: Esta máquina produz um campo electromagnético durante a utilização. Este campo pode, em determinadas circunstâncias, interferir com implantes médicos activos ou passivos. Para reduzir o risco de ferimentos graves ou fatais, é aconselhável que as pessoas com implantes médicos consultem o seu médico e o fabricante do implante médico antes de utilizarem esta máquina.

Utilização pretendida do equipamento

- A roçadeira a gasolina é destinada apenas ao corte de relva, erva, arbustos e outros herbáceos, e não deverá ser utilizada para outro fim como aparar ou podar sebes, uma vez que pode causar ferimentos.

Equipamento de protecção pessoal

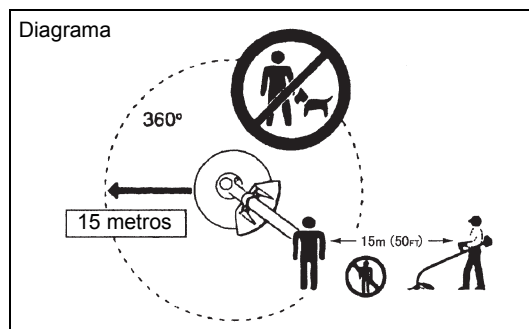
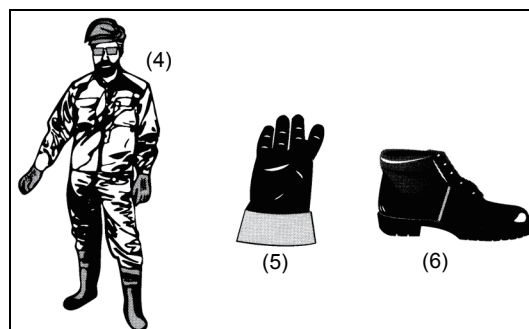
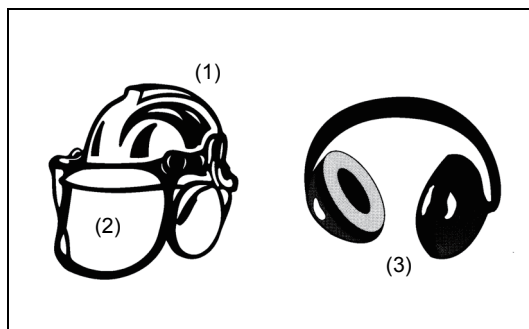
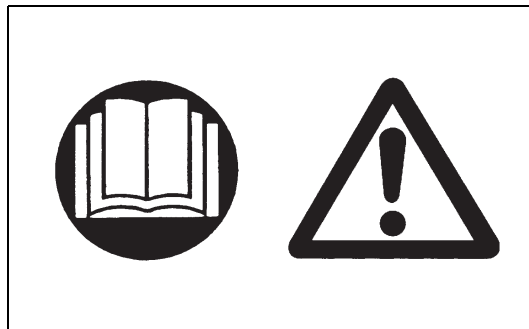
- Utilize sempre roupas que sejam funcionais e apropriadas ao seu trabalho, isto é, que fiquem justas mas não demasiado apertadas ao ponto de causar um movimento desconfortável. Não utilize joalheria ou roupas que possam ficar presas nos arbustos.
- Para evitar ferimentos na cabeça, olhos, mão ou pés, assim como para proteger a sua audição durante o funcionamento, deve utilizar o seguinte equipamento e roupa de protecção ao operar a roçadeira a gasolina.
- Utilize um capacete sempre que existir risco de queda de objectos. Deve verificar regularmente se existem danos no capacete protector (1) e deve substituí-lo, no mínimo, após 5 anos. Utilize apenas capacetes protectores aprovados.
- O visor (2) do capacete (ou óculos, em alternativa) protege a face de resíduos e pedras. Durante o funcionamento da roçadeira a gasolina, utilize sempre óculos ou um visor para evitar ferimentos oculares.
- Use equipamento de protecção contra ruído adequado para evitar deficiências auditivas (protector auditivo (3), tampões para os ouvidos etc.).
- Os fatos-macaco (4) protegem contra pedras e resíduos. Recomendamos vivamente que use fatos-macaco.
- Luvas especiais (5) feitas de couro espesso fazem parte do equipamento prescrito e devem ser sempre usadas durante o funcionamento da roçadeira a gasolina.
- Ao usar a roçadeira a gasolina, use sempre sapatos resistentes (6) com uma sola não derrapante. Estes sapatos protegem contra ferimentos e asseguram um bom apoio.

Riscos residuais

- Mesmo quando a máquina é utilizada conforme indicado, não é possível eliminar todos os factores de riscos residuais. Podem surgir os perigos seguintes associados ao fabrico e design da máquina:
 1. Danos nos pulmões, se não for usada uma máscara de pó.
 2. Danos na audição, se não for usada uma protecção auditiva.
 3. Problemas de saúde resultantes da emissão de vibrações se a máquina for utilizada durante um longo período de tempo ou de forma incorrecta e sem uma manutenção adequada.

Iniciar a roçadeira a gasolina

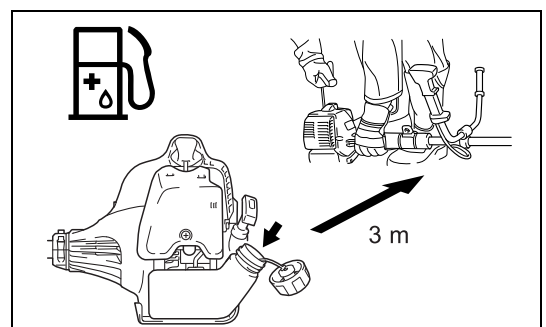
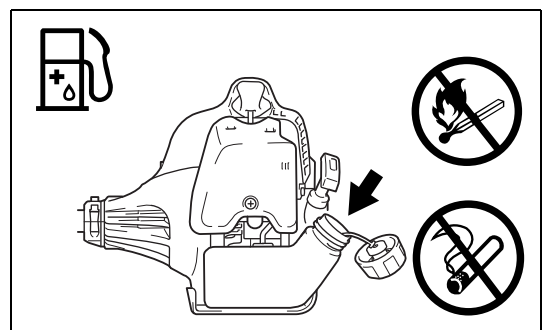
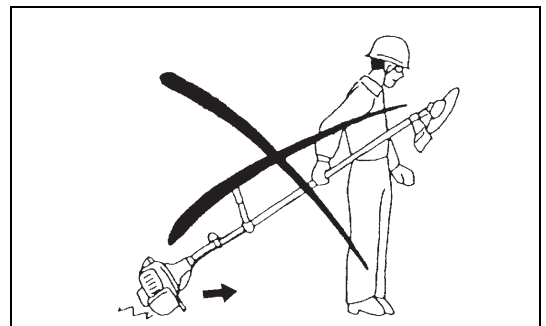
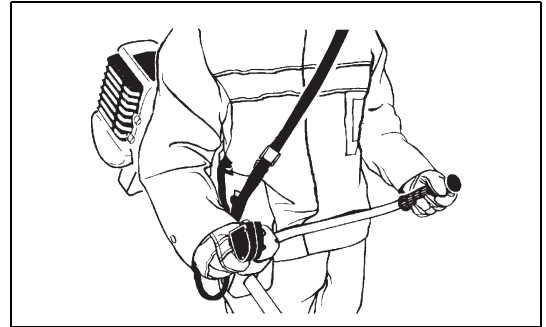
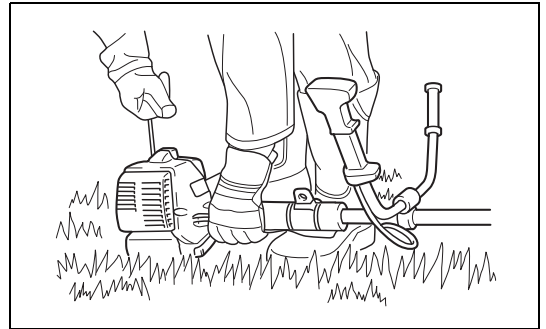
- Certifique-se de que não há crianças ou outras pessoas a trabalhar num raio de 15 metros, tome também atenção a animais nas proximidades.
- Antes de utilizar, certifique-se de que a roçadeira a gasolina pode funcionar em segurança:
Certifique-se de que a ferramenta de corte é segura, de que a alavanca de controlo pode ser operada facilmente e de que o bloqueio da alavanca de controlo está a funcionar correctamente.
- A rotação da ferramenta de corte durante a marcha lenta é proibida. Consulte o seu revendedor se achar que o equipamento pode precisar de ajustes. Certifique-se de que as pegas estão limpas e secas e de que o botão de arranque/paragem está a funcionar correctamente.



- Inicie a roçadeira a gasolina apenas de acordo com as instruções. Não utilize outros métodos para arrancar o motor!
- Utilize apenas a roçadeira a gasolina e ferramentas para os fins específicos.
- Apenas arranque o motor da roçadeira a gasolina depois de o equipamento estar devidamente montado. Não opere o equipamento até que todos os acessórios apropriados estejam fixos!
- Antes de arrancar, certifique-se de que a ferramenta de corte não está em contacto com objectos duros como ramos, pedras etc., uma vez que a ferramenta de corte irá rodar ao arrancar.
- Desligue o motor imediatamente se ocorrer algum tipo de problema no motor.
- Caso a ferramenta de corte atinja pedras ou outros objectos duros, desligue imediatamente o motor e inspecione a ferramenta de corte.
- Inspeccione a ferramenta de corte em intervalos curtos regulares para se certificar de que não está danificada (verifique se existem fissuras utilizando o teste do toque).
- Opere a roçadeira a gasolina apenas depois de fixar e ajustar a alça do ombro ao comprimento correcto. A alça do ombro deve estar ajustada ao tamanho do utilizador para evitar fadiga durante o manuseamento do equipamento. Nunca segure a roçadeira com uma mão durante o funcionamento.
- Durante o funcionamento, segure sempre a roçadeira a gasolina com ambas as mãos. Certifique-se sempre de que tem um apoio seguro.
- Opere a roçadeira a gasolina de maneira a evitar a inalação dos gases de escape. Nunca arranque o motor num espaço fechado como dentro de um quarto (risco de envenenamento por gás). O monóxido de carbono é um gás sem odor.
- Desligue sempre o motor quando estiver em repouso, ou se pretende deixar a roçadeira a gasolina sem vigilância, e coloque-o num local seguro para evitar ferimentos a outras pessoas e danos no equipamento.
- Nunca coloque a roçadeira a gasolina quente no vidro seco ou em quaisquer outros materiais combustíveis.
- A ferramenta de corte deve estar sempre equipada com o resguardo apropriado. Nunca arranque a roçadeira sem este resguardo!
- Todas as instalações de protecção e resguardos fornecidos com este equipamento devem ser usados durante o funcionamento.
- Nunca opere o motor se o silenciador de escape estiver avariado.
- Desligue o motor durante o transporte.
- Ao transportar o equipamento, instale sempre a tampa na lâmina de corte.
- Certifique-se de que a roçadeira a gasolina está posicionada de forma segura durante o transporte para evitar a fuga de combustível.
- Ao transportar a roçadeira a gasolina, certifique-se de que o depósito de combustível está completamente vazio.
- Ao descarregar a roçadeira a gasolina de um camião ou outros veículos, nunca deixe cair o motor para o chão porque isso pode danificar gravemente o depósito de combustível.
- A menos que seja uma emergência, nunca deixe cair a roçadeira a gasolina ao chão porque isso poderá danificar gravemente a roçadeira a gasolina.
- Levante sempre todo o equipamento do chão ao movê-lo. Arrastar o equipamento no seu depósito de combustível é muito perigoso e pode causar uma fuga de combustível, o que pode resultar num incêndio.
- Se o equipamento sofrer um impacto ou queda, verifique o seu estado antes de continuar a trabalhar. Verifique o sistema de combustível por fugas de combustível e os comandos e dispositivos de segurança por avarias. Se existirem danos ou dúvidas, solicite o nosso centro de assistência autorizado para a inspecção e reparação.

Reabastecimento de combustível

- Desligue o motor durante o reabastecimento de combustível, mantenha-se longe das chamas abertas e não fume durante o reabastecimento.
- Certifique-se de que produtos de óleo mineral não entram em contacto com a pele. Não inale o vapor do combustível. Use sempre luvas protectoras durante o reabastecimento. Mude e limpe a roupa protectora em intervalos regulares.
- Para evitar contaminação do solo (protecção ambiental), certifique-se de que não derrama combustível ou óleo no chão. Se derramar combustível, limpe a roçadeira a gasolina imediatamente.
- Certifique-se de que o combustível não entra em contacto com as roupas. Se o combustível entrar em contacto com as suas roupas, mude essas roupas imediatamente para evitar um incêndio.
- Inspeccione o tampão do depósito em intervalos regulares para se certificar de que está bem seguro e não pinga.
- Aperte, com cuidado, a tampa do depósito de combustível. Depois de reabastecer o combustível, vá para um local a, pelo menos, 3 metros de distância de onde reabasteceu antes de arrancar o motor.



- Nunca reabasteça num espaço fechado como dentro de uma sala. Isso poderá causar uma explosão devido à acumulação de vapor de combustível ao nível do chão.
- Transporte e armazene o combustível apenas em recipientes aprovados. Certifique-se de que o combustível armazenado não é acessível a crianças.

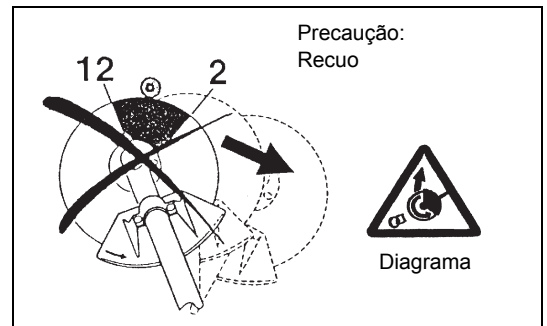
Método de funcionamento

- Utilize apenas a roçadeira a gasolina com boas condições de iluminação e visibilidade. Durante a época de Inverno, tenha cuidado com áreas escorregadias ou molhadas tais como áreas cobertas pela neve (risco de escorregar). Certifique-se sempre de que tem um apoio seguro.
- Nunca corte acima da altura dos ombros.
- Nunca esteja em cima de uma escada enquanto usa a roçadeira a gasolina.
- Nunca suba a árvores para utilizar a roçadeira a gasolina.
- Nunca trabalhe em superfícies instáveis.
- Remova areia, pedras, pregos etc encontrados na área de trabalho. Objectos estranhos podem danificar a ferramenta de corte e causar recuos perigosos.
- Antes de começar a cortar, certifique-se de que a ferramenta de corte atingiu a velocidade de funcionamento completa.
- Se relva ou ramos ficarem presos entre a ferramenta de corte e o resguardo, desligue sempre o motor antes de limpar. Caso contrário, uma rotação accidental da lâmina pode causar ferimentos graves.
- Descanse para evitar a perda de controlo causada pela fadiga. É aconselhável descansar 10 a 20 minutos por cada hora.



Recuo (impulso da lâmina)

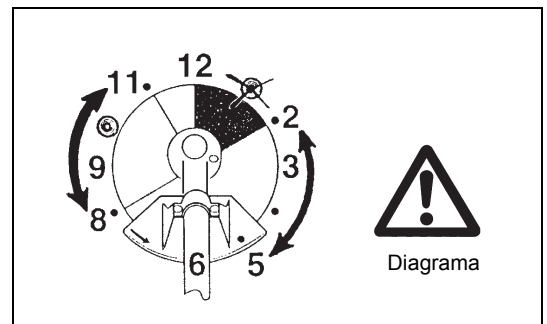
- Ao operar a roçadeira a gasolina poderão ocorrer recuos não controlados.
- Os recuos ocorrem frequentemente ao tentar cortar com a secção 12 a 2 horas da lâmina.
- Nunca aplique a secção 12 a 2 horas da lâmina da roçadeira a gasolina.
- Nunca aplique esta secção da lâmina da roçadeira a gasolina a objectos sólidos tais como arbustos ou árvores etc que tenham um diâmetro maior do que 3 cm. Isso poderá fazer com que a roçadeira a gasolina se desvie com uma grande quantidade de força, o que é extremamente perigoso e pode causar ferimentos.



Prevenção de recuos

Para evitar recuos, lembre-se do seguinte:

- Utilizar a secção 12 a 2 horas da lâmina é muito perigoso, especialmente ao utilizar ferramentas de corte de metal.
- As operações de corte utilizando a secção 11 a 12 horas e a secção 2 a 5 horas da lâmina devem ser efectuadas apenas por técnicos especializados e experientes e a seu próprio risco. A secção de corte óptima para corte fácil com quase nenhum recuo está na secção 8 a 11 horas da lâmina.

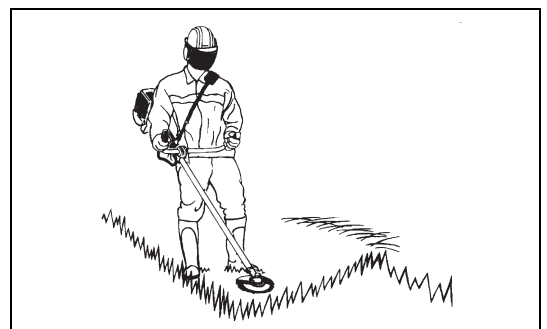


Ferramentas de corte

- Utilize uma ferramenta de corte para o trabalho a efectuar. As cabeças de corte em nylon (cabeças das roçadeiras) são adequadas para cortar relva. As lâminas metálicas são adequadas para cortar ervas daninhas, relvas altas, arbustos, matagal, moita e vegetação semelhante. Nunca utilize outras lâminas incluindo correntes rotativas multi-peças e manguais. Caso contrário, podem resultar ferimentos.
- Ao utilizar lâminas metálicas, evite “recuos” e prepare-se sempre para um recuo accidental. Consulte a secção “Recuo” e “Prevenção de recuos”.

Instruções de manutenção

- Solicite o nosso centro de assistência autorizado para efectuar a manutenção do equipamento, utilizando sempre peças sobresselentes genuínas. A reparação ou manutenção incorrectas podem encurtar a vida útil do equipamento e aumentar o risco de acidentes.
- Verifique sempre o estado da roçadeira, especialmente os dispositivos de protecção da roçadeira e alça para o ombro, antes de iniciar o trabalho. Deve também prestar especial atenção às lâminas de corte, que devem estar devidamente afiadas.
- Desligue o motor e remova o conector da vela de ignição ao substituir ou afiar as ferramentas de corte, e também ao limpar a roçadeira ou ferramenta de corte.



Nunca alise ou solde ferramentas de corte danificadas.

- Opere a roçadeira a gasolina com o mínimo de ruído e contaminação possível. Em particular, verifique se o carburador está devidamente instalado.
- Limpe a roçadeira a gasolina em intervalos regulares e certifique-se de que todos os parafusos estão bem apertados.
- Nunca opere ou guarde a roçadeira a gasolina nas proximidades de chamas ardentes.
- Guarde sempre a roçadeira a gasolina em salas fechadas e com um depósito de combustível esvaziado.
- Ao limpar, efectuar a manutenção e armazenar o equipamento, instale sempre a tampa na lâmina de corte.

Observe as instruções de prevenção de acidentes relevantes emitidas pelas associações comerciais relevantes e companhias de seguros.

Não efectue quaisquer modificações na roçadeira a gasolina porque ao fazê-lo estará a comprometer a sua segurança.

O desempenho do trabalho de manutenção ou reparação pelo utilizador é limitado às actividades descritas no manual de instruções. O resto do trabalho deverá ser efectuado por um Agente de Serviço Autorizado. Utilize apenas partes sobresselentes genuínas e acessórios lançados e fornecidos pela MAKITA.

Utilizar acessórios e ferramentas não aprovados provocará um risco maior de acidentes.

A MAKITA não aceitará qualquer responsabilização por acidentes ou danos provocados pela utilização de ferramentas de corte não aprovadas, dispositivos de fixação de ferramentas de corte ou acessórios.

Primeiros-socorros

Em caso de acidente, certifique-se de que uma caixa de primeiros socorros está disponível nas proximidades das operações de corte. Substitua imediatamente qualquer item retirado da caixa de primeiros socorros.

Ao pedir ajuda, forneça a seguinte informação:

- Local do acidente
- O que aconteceu
- Número de pessoas feridas
- Tipo de ferimentos
- O seu nome

Vibração

- As pessoas com má circulação que sejam expostas a vibrações excessivas podem sofrer ferimentos nos vasos sanguíneos ou no sistema nervoso. As vibrações podem causar os seguintes sintomas nos dedos, mãos ou pulsos: “Adormecimento” (falta de sensação), formigueiro, dor, sensação de picadas, alteração da cor da pele ou da própria pele. Se ocorrer qualquer um destes sintomas, consulte um médico!
- Para reduzir o risco de “doença de Raynaud”, mantenha as mãos quentes durante o funcionamento e segure bem o equipamento e os acessórios.



Apenas para países europeus

Declaração de conformidade CE

Nós, a Makita Corporation, como fabricante responsável, declaramos que a(s) máquina(s) Makita seguinte(s):

Designação da máquina: Roçadeira A Gasolina

N.º/Tipo de modelo: EM2600U, EM2600L

Especificações: consulte a tabela “DADOS TÉCNICOS”

são de produção em série e

Está em conformidade com as directivas europeias seguintes:

2000/14/EC, 2006/42/EC, 2004/108/EC

E são fabricadas de acordo com as normas e documentos padronizados seguintes:

EN ISO 11806-1, EN ISO 14982

A documentação técnica é mantida por:

Makita International Europe Ltd., Technical Department,

Michigan Drive, Tongwell, Milton Keynes, Bucks MK15 8JD, Inglaterra

O procedimento de avaliação da conformidade requisitado pela Directiva 2000/14/EC estava em conformidade com o anexo V.

Nível de potência sonora medida (como aparador de relva): 109,77 dB

Nível de potência sonora medida (como roçadeira a gasolina): 107,29 dB

Nível de potência sonora garantida: 112 dB

15. 4. 2013

Tomoyasu Kato
Director

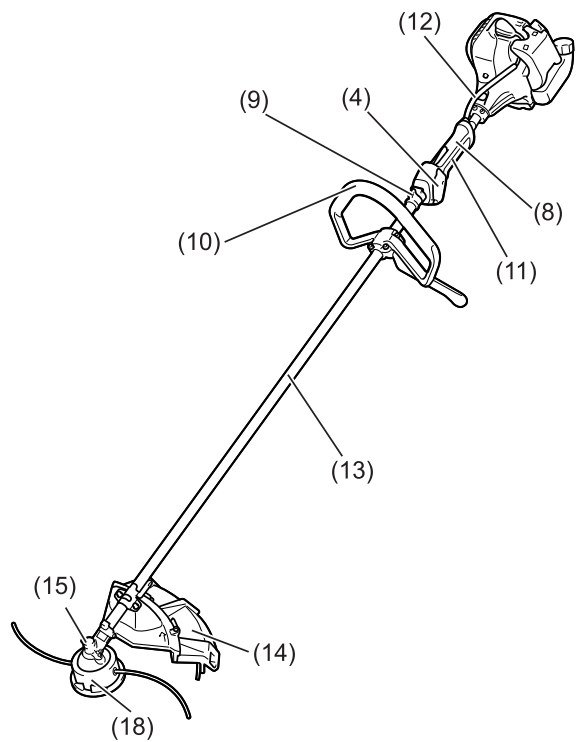
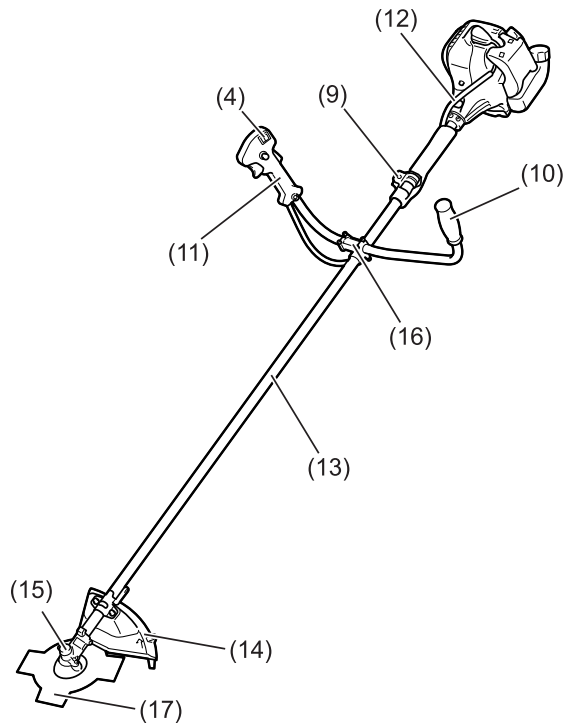
Makita Corporation
3-11-8, Sumiyoshi-cho,
Anjo, Aichi, JAPAN

Dados técnicos

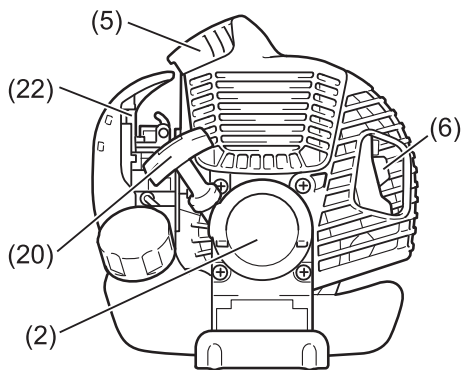
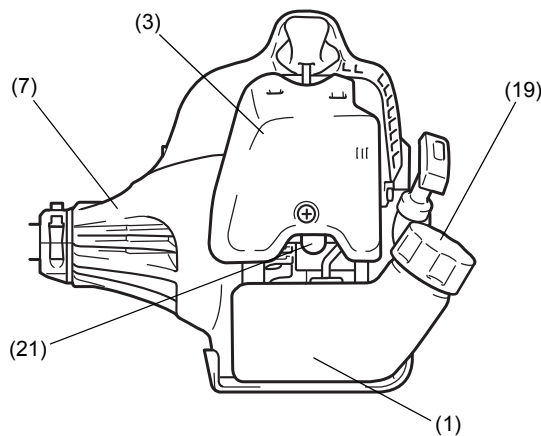
Modelo		EM2600U	EM2600L
		Pega em U	Pega fechada
Dimensões: comprimento x largura x altura (sem a lâmina de corte)		1.770 x 610 x 410 mm	1.770 x 330 x 185 mm
Peso líquido		5 kg	5 kg
Deslocamento do motor		25,7 cm ³	
Desempenho máximo do motor		0,83 kW	
Frequência de rotação máxima do veio		8.800 min ⁻¹	
Implemento de corte	Lâmina metálica de peça única	φ230 mm	
	Cabeça da roçadeira	φ430 mm	
Velocidade em marcha lenta		3.000/min	
Velocidade da embraiagem		4.100/min	
Relação de transmissão		14/19	
Combustível		Gasolina mistura Gasolina: Óleo para motor a dois tempos = 50:1	
Volume (depósito de combustível)		0,6 L	
Carburador		WALBRO WYC	
Vela de ignição		NGK BPMR7A	
Separação de eléctrodos		0,6 - 0,7 mm	
Vibração: (Para roçadeira a gasolina)	Pega esquerda (cabo dianteiro)	14,680 m/s ² K = 1,5 m/s ²	5,152 m/s ² K = 1,5 m/s ²
	Pega direita (cabo traseiro)	9,037 m/s ² K = 1,5 m/s ²	9,677 m/s ² K = 1,5 m/s ²
Vibração: (Para aparador de relva)	Pega esquerda (cabo dianteiro)	7,961 m/s ² K = 1,5 m/s ²	8,83 m/s ² K = 1,5 m/s ²
	Pega direita (cabo dianteiro)	7,019 m/s ² K = 1,5 m/s ²	14,381 m/s ² K = 1,5 m/s ²
Ruído (testado de acordo com 2000/14/EC & 2005/88/EC):			
Nível de pressão sonora na posição do operador (Aparador de relva):		98,52 dB (A) K = 2,5 dB (A)	
Nível de pressão sonora na posição do operador (Roçadeira a gasolina):		96,15 dB (A) K = 2,5 dB (A)	
Nível de potência sonora medida (Aparador de relva):		109,77 dB (A) K = 2,5 dB (A)	
Nível de potência sonora medida (Roçadeira a gasolina):		107,29 dB (A) K = 2,5 dB (A)	
Ruído (testado de acordo com 2000/14/EC & 2005/88/EC): valores de potência sonora garantida		112 dB (A)	

Nomes de peças

EM2600U Tipo de pega em U



EM2600L Tipo de pega fechada



Nomes de peças	
1	Depósito de combustível
2	Arrancador de rebobinamento
3	Filtro de ar
4	Interruptor I-Parar (ligar/desligar)/ Interruptor Arrancar-Parar
5	Vela de ignição
6	Silenciador de escape
7	Embraiagem
8	Cabo traseiro
9	Gancho
10	Pega
11	Alavanca de controlo
12	Cabo de controlo
13	Veio
14	Protector (Resguardo da ferramenta de corte)
15	Caixa de engrenagens
16	Suporte da pega
17	Lâmina de corte
18	Cabeça de corte em nylon
19	Tampa do abastecedor de combustível
20	Manípulo do dispositivo de arranque
21	Bomba de descarga
22	Alavanca do afogador

Montar a pega

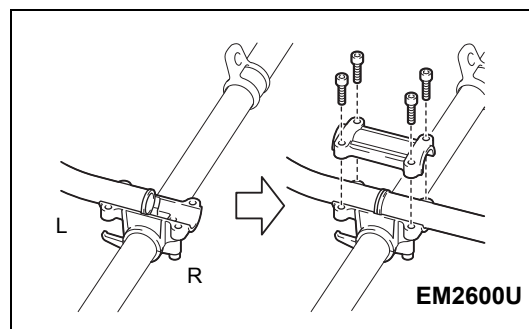
PRECAUÇÃO: Antes de efectuar qualquer trabalho na roçadeira a gasolina, pare sempre o motor e desligue o conector da vela de ignição da vela de ignição. Use sempre luvas de protecção!

PRECAUÇÃO: Certifique-se de que voltou a montar a roçadeira a gasolina completamente antes de a iniciar.

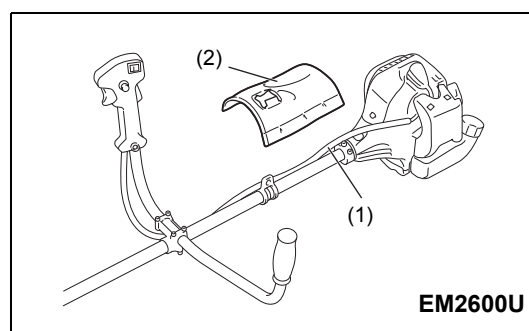


Para modelos de pega em U

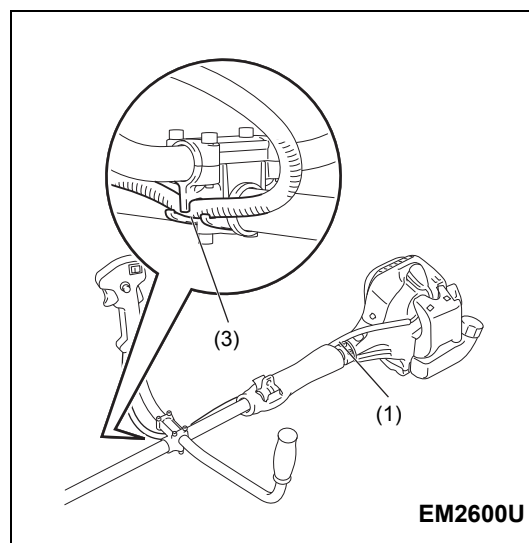
- Coloque as duas pegas no suporte da pega. A alavanca de controlo tem de estar no lado direito quando olha de frente para a ferramenta de corte.
- Encaixe as extremidades da pega na ranhura no suporte da pega e encaixe o grampo nas mesmas. Aperte suavemente com quatro parafusos para ajuste.
- Ajuste o ângulo da pega e, de seguida, aperte todos os parafusos uniformemente com uma chave sextavada.



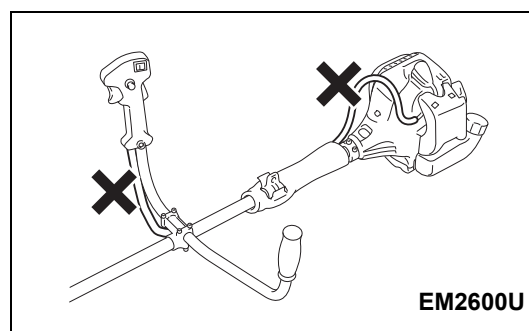
- Coloque o cabo do acelerador (1) no lado da alavanca de controlo do veio. E, de seguida, cubra com o apoio de cintura (2).



- Introduza o cabo do acelerador (1) na ranhura de fixação (3) do suporte da pega.
- Certifique-se de que o cabo do acelerador está posicionado conforme mostrado.
- Utilize a alavanca de controlo e certifique-se de que se move suavemente.

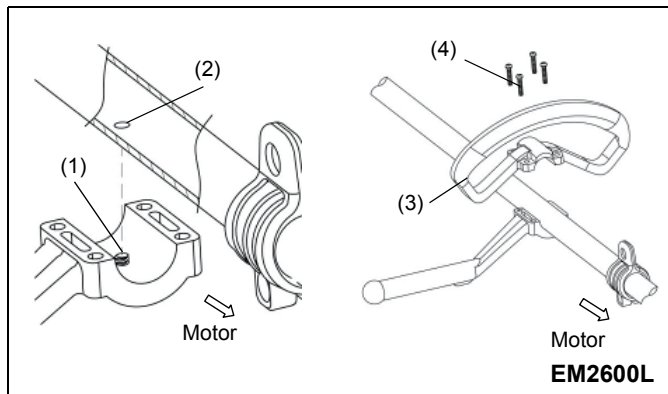


PRECAUÇÃO: Não posicione o cabo do acelerador conforme mostrado. Caso contrário, um cabo dobrado pode causar uma velocidade alta de ralenti e uma lâmina descontrolada pode causar ferimentos pessoais.



Para modelo com pega fechada

- Coloque a rosca (1) no suporte da pega no orifício da localização (2) no tubo.
- Fixe a pega auxiliar (3) na barreira.
- Aperte os 4 parafusos (4) M5 x 30.

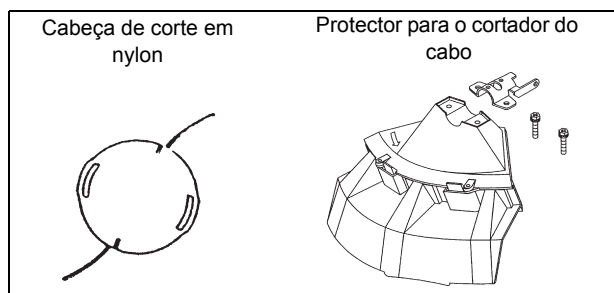
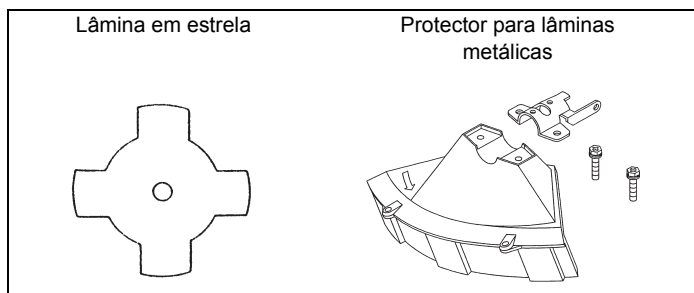


Montar o protector

Para satisfazer as normas de segurança aplicáveis, deve apenas utilizar as combinações ferramenta/protector indicadas na tabela.

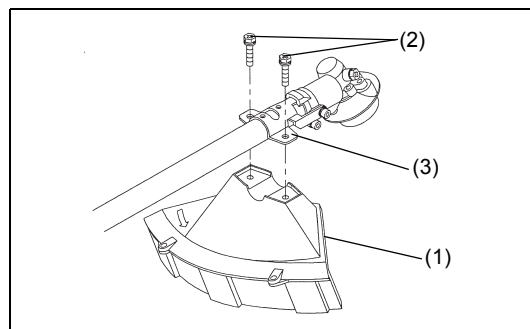
Utilize sempre lâminas de corte/cabeça de corte em nylon MAKITA.

- A lâmina de corte deve ser bem polida e livre de fendas ou quebras. Se a lâmina de corte for de encontro a uma pedra durante a operação, pare o motor e verifique a lâmina imediatamente.
- Deve polir ou substituir a lâmina de corte a cada três horas de funcionamento.
- Se a cabeça de corte em nylon for de encontro a uma pedra durante o funcionamento, pare o motor e verifique a cabeça de corte em nylon imediatamente.

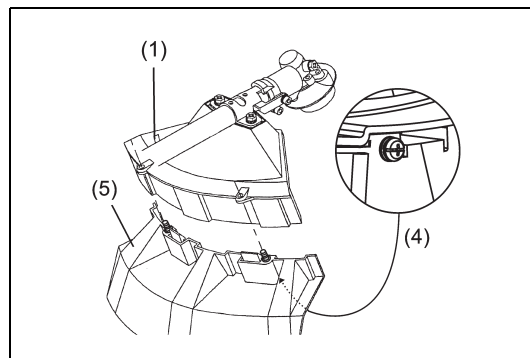


PRECAUÇÃO: Os protectores adequados devem ser sempre instalados para sua própria segurança e para obedecer a regulamentos de prevenção de acidentes. É proibido operar o equipamento sem o resguarda instalado.

- Fixe o protector (1) ao grampo (3) com duas porcas M6 x 30 (2).



- Ao utilizar a cabeça de corte em nylon, instale o protector (5) no protector (1) e aperte-os com dois parafusos (4).

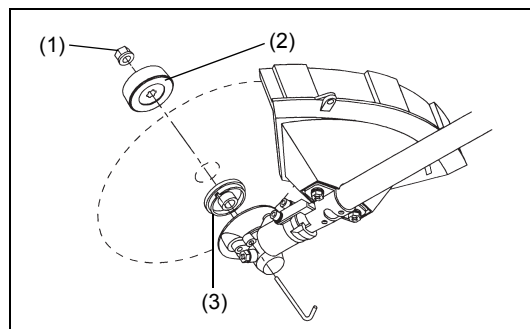


Montar a lâmina de corte/cabeça de corte em nylon

A lâmina de corte ou cabeça de corte em nylon podem ser substituídas facilmente ao rodar o equipamento ao contrário.



- Insira a chave sextavada no orifício na caixa de engrenagens e rode a anilha receptora (3) até que esteja apertada com a chave sextavada.
- Desaperte a porca/anilha de pressão (1) (fio esquerdo) com a chave de encaixe e remova a porca/anilha de pressão (1) e a anilha do grampo (2).



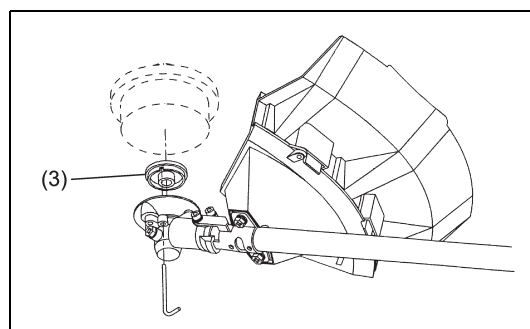
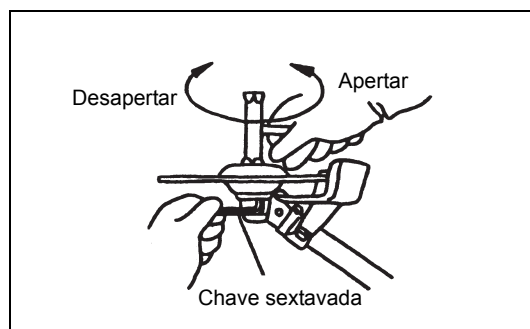
Com a chave sextavada ainda fixada

- Monte a lâmina de corte no veio para que o guia da anilha receptora (3) encaixe no orifício do mandril na lâmina de corte. Instale a anilha do grampo (2) e fixe a lâmina de corte com a porca/anilha de pressão (1). [Binário de aperto: 13 - 23 N-m]

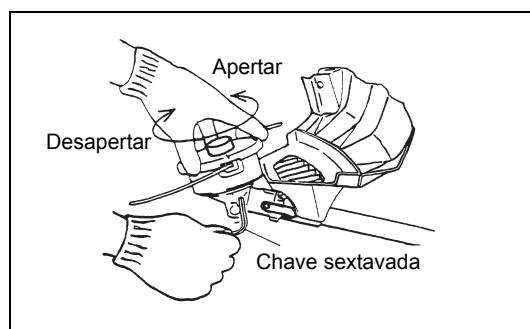
NOTA: Use sempre luvas ao manusear a lâmina de corte.

NOTA: A porca de aperto da lâmina de corte (com anilha de pressão) é uma parte consumível. Se aparecer algum desgaste ou deformação na anilha de pressão, substitua a porca.

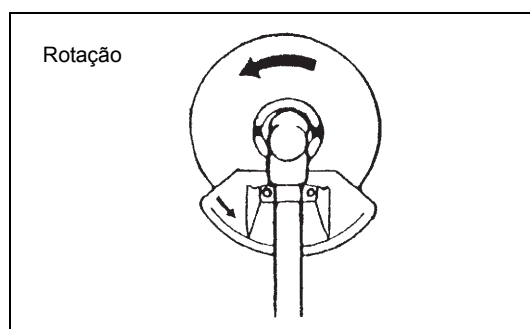
NOTA: A anilha do grampo (2) e a porca/anilha de pressão (1) não são necessárias para montar a cabeça de corte em nylon. A cabeça em nylon deverá estar no topo da anilha receptora (3).



- Aperte a cabeça de corte em nylon no veio.



- Certifique-se de que a lâmina roda no sentido contrário aos ponteiros do relógio.





Lidar com o combustível

É necessário muito cuidado ao lidar com o combustível. O combustível pode conter substâncias semelhantes a solventes. Reabasteça num espaço bem ventilado ou no exterior. Não inale vapores do combustível e evite qualquer contacto de combustível ou óleo com a sua pele.

Produtos de óleo mineral desengorduram a sua pele. O contacto prolongado da sua pele com estes produtos fará com que a sua pele fique extremamente seca, o que pode resultar em vários tipos de doenças de pele. Para além disso, poderão ocorrer reacções alérgicas.

Os olhos podem ser irritados através do contacto com óleo. Se entrar óleo nos seus olhos, lave-os imediatamente com água limpa. Se os seus olhos ainda estiverem irritados, consulte imediatamente um médico.

Mistura de combustível e óleo

O motor da roçadeira a gasolina é um motor a dois tempos altamente eficiente. Funciona à base de uma mistura de combustível e óleo no motor a dois tempos. O motor foi concebido para combustível regular sem chumbo com um valor mínimo de octano de 91 RON.

Para obter um desempenho do motor óptimo e para proteger a sua saúde e ambiente, utilize apenas combustível sem chumbo!

Para lubrificar o motor, adicione óleo do motor a dois tempos (grau de qualidade: JASO FC ou ISO EGD) ao combustível. O motor foi concebido para utilizar óleo de motor a dois tempos a uma relação de mistura de 50:1 para proteger o ambiente.

Para além disso, esta relação de mistura garante um longo e fiável tempo de funcionamento assim como emissões mínimas. Um funcionamento fiável da roçadeira a gasolina não pode ser garantido a menos que esta relação de mistura de 50:1 (óleo do motor a dois tempos especificado) seja estritamente observada.

Relação de mistura correcta:

Gasolina: Óleo do motor a dois tempos especificado = 50 : 1 ou

Gasolina: Óleo do motor a dois tempos de outro fabricante = 25 : 1 recomendado

NOTA: Para preparar a mistura combustível-óleo, misture primeiro toda a quantidade de óleo com metade do combustível necessário, depois adicione o combustível restante. Abane cuidadosamente a mistura antes de a deitar no depósito da roçadeira a gasolina. Para assegurar um funcionamento seguro, não adicione mais óleo do motor do que a quantidade especificada. Isso resultará numa maior produção de resíduos de combustão que poluem o ambiente e entopem o canal de escape no cilindro assim como o silenciador. Para além disso, o consumo de combustível aumentará e o desempenho diminuirá.

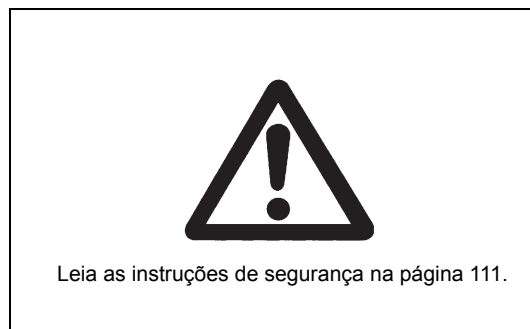
Reabastecimento de combustível



O motor deve ser desligado.

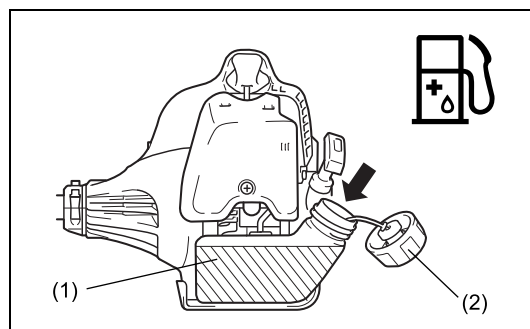
- Limpe rigorosamente a área em torno da tampa do abastecedor de combustível (2) para evitar que entre sujidade no depósito de combustível (1).
- Desaperte a tampa do abastecedor de combustível (2) e encha o depósito com combustível.
- Aperte bem a tampa do abastecedor de combustível (2).
- Limpe o parafuso da tampa do abastecedor de combustível (2) e depósito após o reabastecimento.

Armazenamento de combustível

O combustível não pode ser guardado durante um período ilimitado de tempo. Adquirir apenas a quantidade necessária para um período de funcionamento de 4 semanas. Utilize apenas recipientes de armazenamento de combustível aprovados.



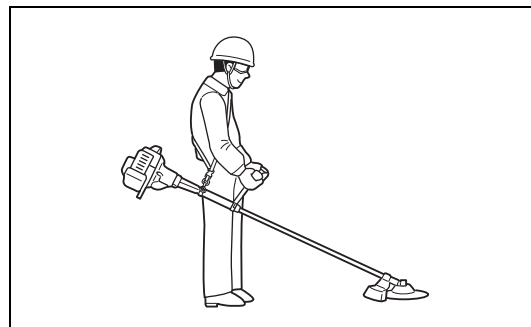
Gasolina	50:1	25:1
	+	
1.000 cm ³ (1 litro)	20 cm ³	40 cm ³
5.000 cm ³ (5 litro)	100 cm ³	200 cm ³
10.000 cm ³ (10 litro)	200 cm ³	400 cm ³



Manuseamento correcto

Fixação da alça do ombro

- Ajuste o comprimento da alça para que a lâmina de corte fique paralela ao chão.

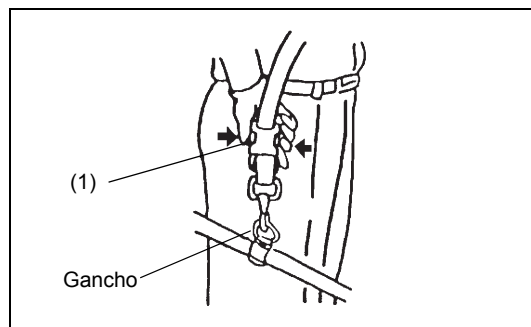


Separação

- Em caso de emergência, empurre os entalhes (1) em ambos os lados e separe o equipamento.
Certifique-se de que mantém o controlo do equipamento nesta altura. Não permita que o equipamento seja desviado em direcção a si ou a alguém próximo de si.

AVISO: Se não conseguir manter o controlo total do equipamento, poderá sofrer ferimentos graves ou MORRER.

Nota: Em determinados países, a alça do ombro não possui esta função de libertação.



Pontos de funcionamento importantes/parar a roçadeira/máquina de cortar

Leia os regulamentos sobre prevenção de acidentes aplicáveis.



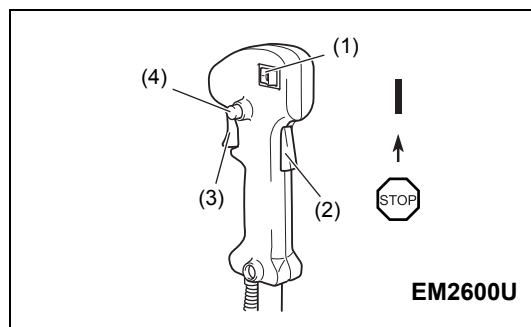
Arranque

Distancie-se 3 m da área onde reabasteceu o equipamento. Coloque a roçadeira a gasolina num pedaço limpo do chão certificando-se de que a ferramenta de corte não entra em contacto com o chão ou com quaisquer outros objectos.

AVISO: Certifique-se de que a ferramenta de corte roda imediatamente após o arranque do motor.

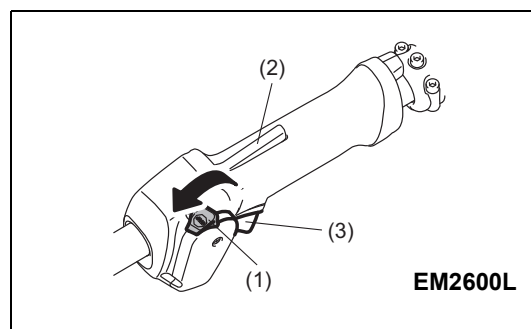
Arranque a frio para os modelos de pega em U

- Coloque o interruptor I-Parar (ligar/desligar) (1), conforme ilustrado.
- Agarre a pega (a pressão manual activa a alavanca de bloqueio de segurança (2)).
- Pressione continuamente a alavanca do acelerador (3).
- Prima o botão de bloqueio (4) e solte a alavanca de controlo e depois solte o botão de bloqueio (o botão de bloqueio mantém a alavanca do acelerador na posição de arranque).



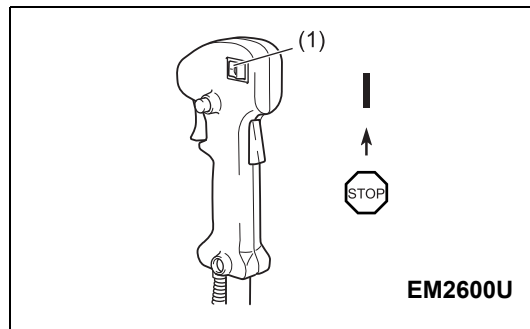
Arranque a frio para os modelos de pega fechada

- Coloque o interruptor Arrancar-Parar (1) na posição de arranque, conforme ilustrado.
- Agarre a pega (a pressão manual activa a alavanca de bloqueio de segurança (2)).
- Pressione continuamente a alavanca do acelerador (3).
- Regule o interruptor Arrancar-Parar (1) para a posição de arranque e solte a alavanca de controlo e, de seguida, solte o interruptor Arrancar-Parar (o interruptor Arrancar-Parar mantém a alavanca do acelerador na posição de arranque).



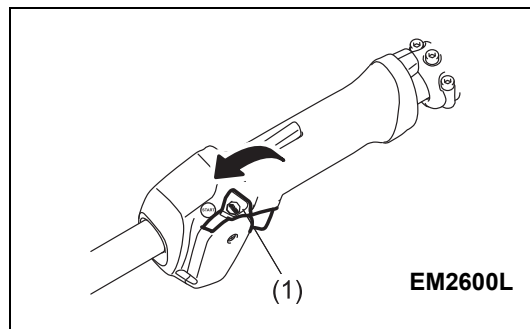
Arranque a quente para os modelos de pega em U

- Coloque o interruptor I-Parar (ligar/desligar) (1), conforme ilustrado.

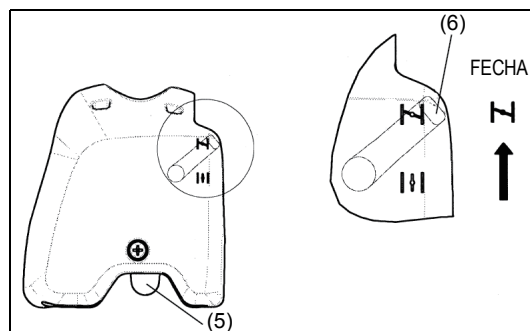


Arranque a quente para os modelos de pega fechada

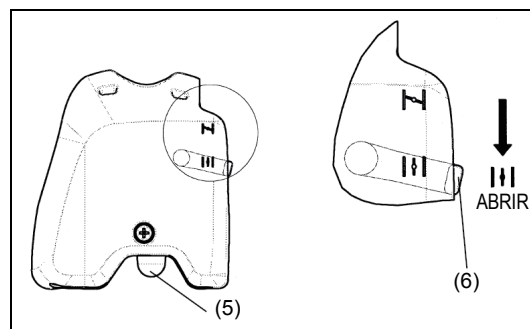
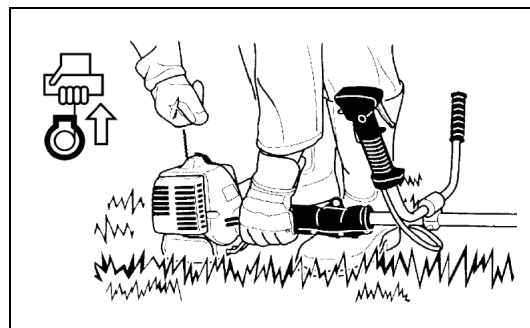
- Coloque o interruptor Arrancar-Parar (1) na posição neutra, conforme ilustrado.



- Primeiro, coloque o equipamento no chão.
- Prima suavemente a bomba de descarga (5) repetidamente (7 a 10 vezes) até que o combustível entre na bomba de descarga.
- Feche a alavanca do afogador (6).
 - Abertura do afogador:
 - Completamente fechada em temperaturas baixas ou quando o motor está frio
 - Completamente ou parcialmente aberta enquanto o motor ainda está quente



- Segure firmemente a embraiagem com a sua mão esquerda, tal como ilustrado.
- Puxe lentamente o cabo de arranque até sentir resistência e depois continue a puxar com força.
- Não retire completamente a corda de arranque e não permita que a pega de arranque se recolha sozinha. Mantenha controlo da corda de arranque e certifique-se de que é recolhida lentamente.
- Repita o funcionamento de arranque até ouvir as ignições iniciais do motor.
- Baixe a alavanca do afogador (6) (↓) e puxe a corda de arranque de novo até o motor arrancar.
- Assim que o motor arrancar, feche e solte imediatamente o acelerador, para soltar o bloqueio do meio acelerador e permitir ao motor funcionar em marcha lenta.
- Deixe o motor trabalhar durante aproximadamente um minuto a velocidade moderada antes de aplicar a aceleração máxima.



- NOTA: – Se puxar a pega de arranque repetidamente quando a alavanca do afogador estiver na posição “|—|”, o motor não arrancará facilmente devido a uma excessiva entrada de combustível.
- Se ocorrer uma entrada de combustível excessiva, remova a vela de ignição e puxe a pega de arranque lentamente para remover o combustível em excesso. Também deverá limpar a secção dos eléctrodos da vela de ignição.

Precauções durante o funcionamento:

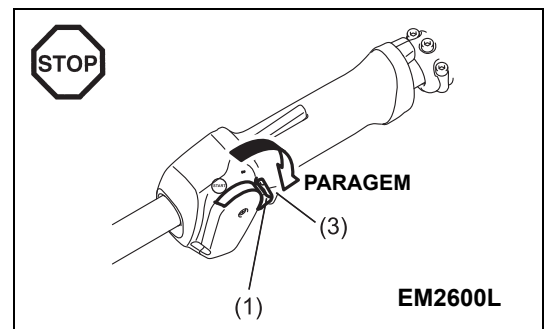
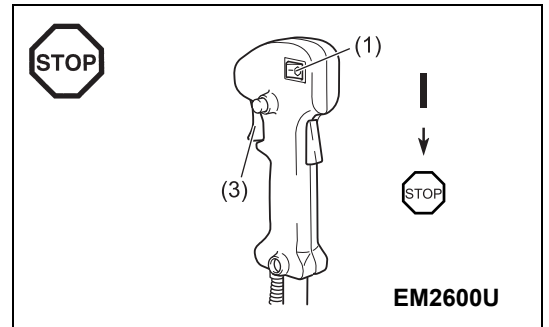
Se a alavanca do acelerador estiver totalmente aberta durante um funcionamento em vácuo, as revoluções do motor aumentam em mais de 10.000 min⁻¹. Nunca opere o motor a uma velocidade mais alta do que a necessária e mantenha as revoluções a uma velocidade aproximada de 6.000 - 8.000 min⁻¹.

PRECAUÇÃO: Reduza sempre as revoluções do motor quando o equipamento não estiver a ser utilizado para trabalhar.

Operar o equipamento a altas revoluções quando não estiver a ser utilizado para trabalho diminuirá o tempo de funcionamento do equipamento.

Parar

- Solte totalmente a alavanca do acelerador (3) e quando as rpm do motor tiverem baixado, prima o interruptor I-Parar (ligar/desligar)/interruptor Arrancar-Parar (1) para a posição "PARAGEM" (STOP) para parar o motor.
- Note que a cabeça de corte poderá não parar imediatamente e deixe sempre que ela abrande e pare completamente por si própria.



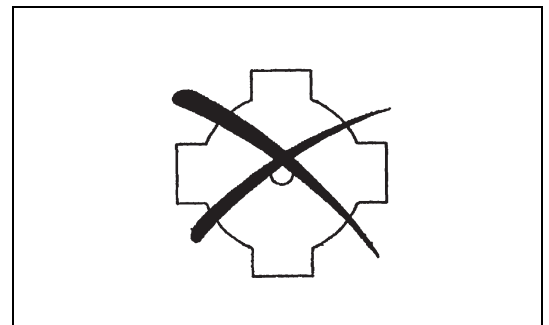
Voltar a afiar a ferramenta de corte

PRECAUÇÃO: As ferramentas de corte listadas em baixo devem ser afiadas apenas por técnicos autorizados. Voltar a afiar manualmente resultará em desequilíbrios da ferramenta de corte, o que causará vibrações e danos no equipamento.

- lâmina de corte (lâmina em estrela (4 dentes))

Um serviço profissional de afiamento e equilíbrio é fornecido por Agentes de Serviço Autorizados.

NOTA: Para aumentar o tempo de funcionamento da lâmina de corte (lâmina em estrela), a lâmina deve estar inclinada para permitir que ambas as extremidades de corte se desgastem.



CABEÇA DE CORTE EM NYLON

A cabeça de corte em nylon é uma cabeça de aparador de linha dupla com mecanismo de ressalto e fornecimento.

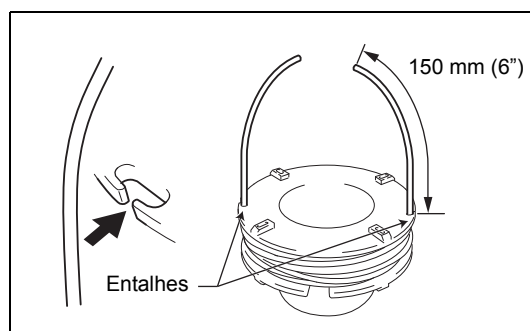
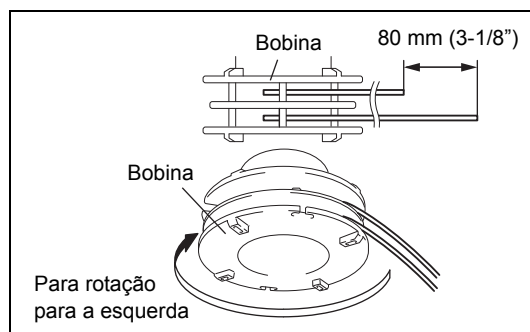
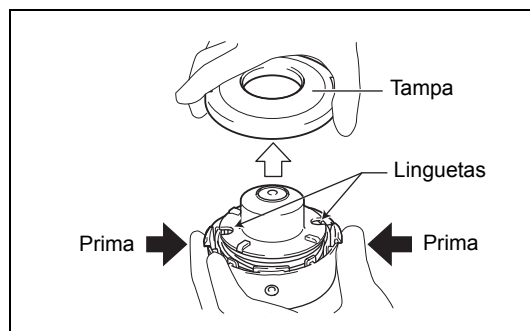
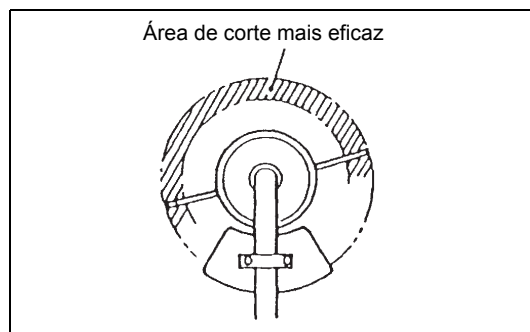
A cabeça de corte em nylon fornece o fio de nylon após bater com a cabeça do aparador no chão.

Funcionamento

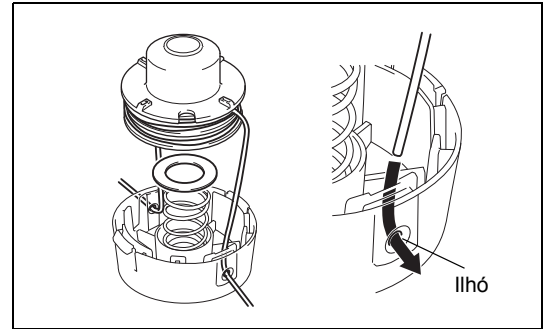
- A área de corte mais eficiente é mostrada pela área sombreada.
- Para fornecer o fio de nylon, aumente a velocidade da cabeça de corte em nylon para aprox. 6.000 min^{-1} e bata ligeiramente com a cabeça de corte em nylon no chão.
- Se a cabeça de corte em nylon não fornecer ao bater, rebobine/substitua o fio de nylon seguindo os procedimentos descritos em "Substituir o fio de nylon".

Substituir o fio de nylon

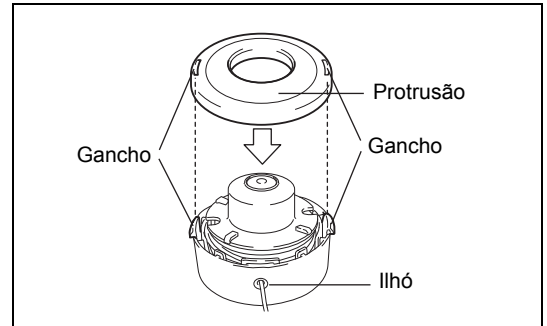
- Parar o motor.
- Pressione as linguetas do alojamento para levantar a tampa, de seguida, remova a bobina.
- Prenda o centro do novo fio de nylon no entalhe no centro da bobina, com uma extremidade do fio mais comprida em 80 mm (3-1/8") mais do que a outra. Depois enrole ambas as extremidades em torno da bobina na direcção da rotação da cabeça (direcção esquerda indicada por LH e direcção direita por RH no lado da bobina).
- Enrole tudo excepto cerca de 150 mm (6") dos fios em torno da bobina, deixando as extremidades temporariamente presas através do entalhe no lado da bobina.



- Passe os cabos através dos ilhós para saírem do alojamento. Instale a anilha, mola e bobina no alojamento.



- Alinhe os ganchos na tampa e no alojamento. De seguida, pressione bem a tampa no alojamento para a fixar.



Instruções de serviço

Instruções de serviço

PRECAUÇÃO: Antes de efectuar qualquer tipo de trabalho de manutenção na roçadeira a gasolina, desligue sempre o motor e separe a tampa da vela da vela de ignição (ver "Verificar a vela de ignição"). Use sempre luvas protectoras.

PRECAUÇÃO: Nunca remova o dispositivo de arranque de recuo sozinho. Isto poderá causar um acidente. Este serviço deve ser realizado apenas pelo Agente de Assistência Autorizado.

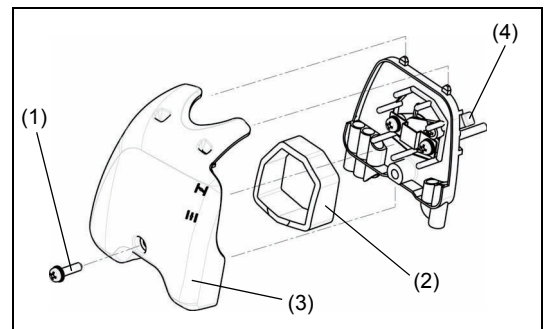
Para garantir um longo tempo de funcionamento e para evitar quaisquer danos no equipamento, efectue as seguintes operações de manutenção regularmente.

Inspecção e manutenção diárias

- Antes do funcionamento, verifique se existem parafusos soltos no equipamento ou se faltam peças. Preste especial atenção ao aperto da lâmina de corte ou da cabeça de corte em nylon.
- Antes do funcionamento, certifique-se sempre de que a passagem do ar de arrefecimento e as rebarbas do cilindro não estão entupidas. Limpe-as se necessário.
- Efectue as seguintes operações de manutenção diariamente após a utilização:
 - Limpe a roçadeira a gasolina externamente e verifique se existem danos.
 - Limpe o filtro de ar. Ao trabalhar em condições de muito pó, limpe o filtro várias vezes por dia.
 - Verifique se a lâmina ou a cabeça de corte em nylon estão danificadas e certifique-se de que estão devidamente montadas.
 - Verifique se existe diferença suficiente entre as velocidades de marcha lenta e de funcionamento para se certificar de que a ferramenta de corte está num ponto de imobilização enquanto o motor está em marcha lenta (se necessário, reduza a velocidade de marcha lenta). Se a ferramenta de corte continuar a rodar durante a marcha lenta do motor, consulte o seu Agente de Serviço Autorizado mais próximo.
- Certifique-se de que o interruptor I-Desligar (desligar/desligar)/interruptor Ligar-Desligar, a alavanca de bloqueio, a alavanca de controlo e o botão de bloqueio estão a funcionar correctamente.

Limpar o filtro de ar

- Rode a alavanca do afogador (4) para o lado totalmente fechado e mantenha o carburador longe de qualquer pó ou sujidade.
- Retire o parafuso (1).
- Remova a tampa do filtro de ar (3).
- Remova o elemento da esponja (2), lave-o a água morna e seque-o completamente.
- Após ter limpadado, reponha a tampa do filtro de ar (3) e aperte-a com o parafuso (1).



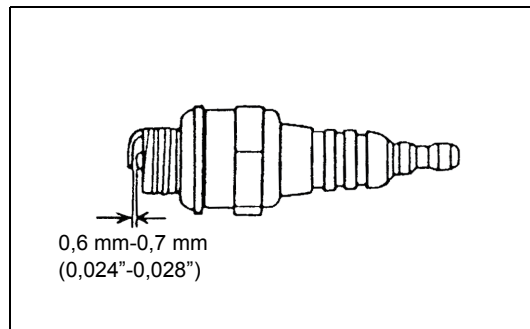
NOTA: Se existir pó ou sujidade excessivos a aderir ao filtro de ar, limpe-o todos os dias. Um filtro de ar entupido pode dificultar ou impossibilitar o arranque do motor ou o aumento da velocidade rotacional do motor.



Verificar a vela de ignição

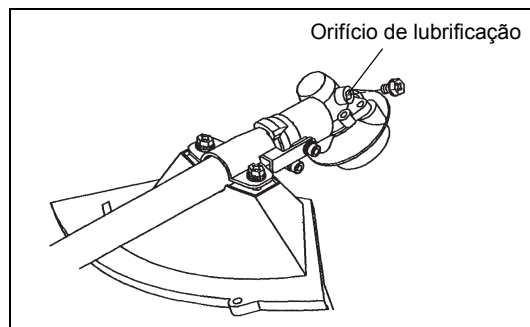
- Utilize apenas a chave universal fornecida para remover ou instalar a vela de ignição.
- O espaço entre os dois eléctrodos da vela de ignição deverá estar a 0,6-0,7 mm (0,024"-0,028"). Se o espaço for demasiado largo ou estreito, ajuste-o. Se a vela de ignição estiver entupida com carvão ou estiver suja, limpe-a rigorosamente ou substitua-a.

PRECAUÇÃO: Nunca toque no conector da vela de ignição enquanto o motor estiver a trabalhar (perigo de choque eléctrico de alta tensão).



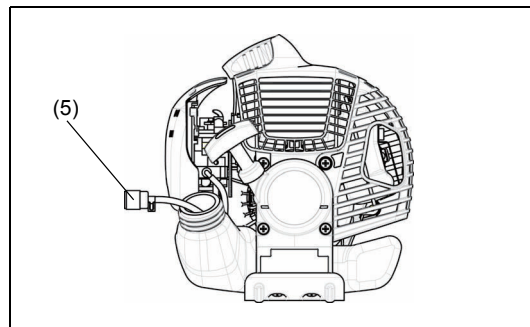
Fornecimento de lubrificação para a caixa de engrenagens

- Forneça lubrificação (Shell Alvania 2 ou equivalente) para a caixa de engrenagens através do orifício de lubrificação a cada 30 horas. (Lubrificação MAKITA pode ser adquirida no seu revendedor MAKITA.)



Cabeça de sucção no depósito de combustível

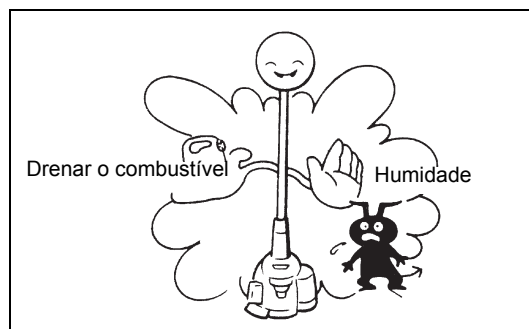
- O filtro de combustível (5) da cabeça de sucção é utilizado para fornecer o combustível requerido pelo carburador.
- Inspeccione visualmente o filtro de combustível com regularidade. Para inspeccionar o filtro, abra a tampa do abastecedor de combustível, utilize um gancho metálico e retire a cabeça de sucção pela abertura do depósito. Substitua o filtro se tiver endurecido, se estiver particularmente sujo ou entupido.
- Um fornecimento de combustível insuficiente poderá resultar no excesso da velocidade máxima permissível. Logo, o filtro de combustível deve ser substituído pelo menos trimestralmente para assegurar um fornecimento de combustível satisfatório para o carburador.



Qualquer outro trabalho de manutenção ou ajuste que não esteja descrito neste manual deve ser efectuado apenas pelos Agentes de Serviço Autorizados.

Armazenamento

- Ao guardar o equipamento durante um longo período de tempo, drene todo o combustível do depósito de combustível e carburador. Para fazer isto, basta drenar todo o combustível do depósito de combustível. Elimine o combustível drenado de acordo com as leis aplicáveis.
- Remova a vela de ignição e adicione algumas gotas de óleo no orifício da vela de ignição. Depois, puxe o dispositivo de arranque suavemente para que o óleo revista o interior do motor, depois aperte a vela de ignição.
- Limpe qualquer sujidade ou pó da lâmina de corte e fora do motor, e limpe-os com um pano mergulhado em óleo. Guarde o equipamento num local seco.



Agenda de manutenção

Geral	Montagem do motor, parafusos e porcas	Inspeção visual para detecção de danos e aperto Verifique a condição geral e segurança
Após cada reabastecimento	Alavanca de controlo Interruptor I-Parar (ligar/desligar)/ Interruptor Arrancar-Parar	Verificação funcional Verificação funcional
Diária	Filtro de ar Conduta de ar de arrefecimento Ferramenta de corte Velocidade em marcha lenta	A limpar A limpar Verifique se existem danos e se está afiada Inspeção (a ferramenta de corte não deve mover-se)
Semanalmente	Vela de ignição Silenciador	Inspeção, substituir se necessário Inspeccione, e limpe a abertura se necessário
Trimestralmente	Cabeça de sucção Depósito de combustível	A substituir A limpar
Procedimento de encerramento	Depósito de combustível Carburador	Depósito de combustível vazio Opere até que o motor esgote o combustível

Detecção de avarias

Avaria	Sistema	Observação	Causa
O motor não arranca ou tem dificuldade em arrancar	Sistema de ignição	Ignição por vela O.K.	Avaria no fornecimento de combustível ou sistema de compressão, defeito mecânico
		Sem ignição por vela	Funcionamento através do interruptor I-Parar (ligar/desligar)/interruptor Arrancar-Parar, avaria na cablagem ou curto-circuito, vela de ignição ou conector defeituoso, módulo de ignição avariado
	Fornecimento de combustível	Depósito de combustível enchido	Posição do afogador incorrecta, carburador defeituoso, linha de fornecimento do combustível dobrada ou bloqueada, combustível sujo
	Compressão	Sem compressão quando parada	Junta inferior do cilindro defeituosa, vedantes da cambota danificados, anéis do pistão ou do cilindro defeituosos ou vedação imprópria da vela de ignição
Problemas no arranque a quente	Avaria mecânica	Dispositivo de arranque não engrenado	Mola do dispositivo de arranque partida, peças partidas dentro do motor
		Depósito cheio. Ignição por vela O.K.	Carburador contaminado, deve ser limpo
O motor arranca mas morre	Fornecimento de combustível	Depósito cheio	Ajuste da marcha lenta incorrecto, carburador contaminado Ventilação do depósito de combustível defeituosa, linha de fornecimento de combustível interrompida, cabo ou interruptor I-Parar (ligar/desligar)/interruptor Arrancar-Parar avariado
Desempenho insuficiente	Vários sistemas podem estar afectados em simultâneo	Marcha lenta do motor fraca	Filtro de ar contaminado, carburador contaminado, silenciador entupido, conduta de escape no cilindro entupida

Tak fordi du købte denne MAKITA buskrydder/trådtrimmer. MAKITA buskryddere/trådtrimmere er udviklet som et produkt af vores mangeårige viden, erfaring og et detaljeret udviklingsprogram.

Læs dette hæfte grundigt igennem for at sikre, at du får den bedst mulige udnyttelse, og de fremragende resultater, som din MAKITA buskrydder/trådtrimmer kan give.



Indholdsfortegnelse	Side
Symboler	128
Sikkerhedsanvisninger	129
Tekniske data	133
Delenes betegnelse	134
Montering af håndtag	135
Montering af skærm	136
Montering af klinger/nylontrimmerhoved	137
Brændstof/påfyldning af brændstof	138
Korrekt håndtering	139
Vigtige punkter angående betjening/standsning af buskrydderen/trådtrimmeren	139
Slibning af skæreværktøjet	141
Vedligeholdelsesinstruktioner	143
Opbevaring	145

Symboler

Du skal være opmærksom på følgende symboler, når du læser brugsanvisningen.

	Læs brugsanvisningen		Bær beskyttelsesbriller og høreværn (gælder kun for trådtrimmer)
	Vær særlig forsigtig og opmærksom		Bær hjelm, øjen- og høreværn (gælder kun for buskrydder)
	Forbudt		Brug ikke metalklinger (gælder kun for trådtrimmer)
	Hold afstand		Maksimal tilladelig hastighed for værktøj
	Risiko for flyvende genstande		Varme overflader - forbrændinger på fingre eller hænder
	Rygning forbudt		Blanding af benzin og olie
	Brug af åben ild forbudt		Manuel start af motor
	Der skal anvendes beskytteshandsker		Nødstop
	Tilbageslag		Førstehjælp
	Hold arbejdsområdet fri for personer og dyr		TÆNDT/START
	Anvend kraftige støvler med skridsikre såler. Sikkerhedssko med stålnæse anbefales.		SLUKKET/STOP
			START

Sikkerhedsanvisninger

Generelle retningslinjer

- For at sikre korrekt betjening skal du sørge for at læse og forstå denne brugsanvisning, sådan at du har kendskab til, hvordan du anvender buskrydderen/trådtrimmeren. Brug af denne maskine uden en forståelse af hvordan den betjenes korrekt, kan medføre alvorlige skader på dig selv eller andre.
- Lån kun buskrydderen/trådtrimmeren ud til personer der har erfaring med buskryddere/trådtrimmere. Giv dem samtidig denne brugsanvisning med.
- Hvis det er første gang, du anvender en benzindrevet buskrydder, skal du bede din forhandler om at give en grundlæggende vejledning.
- Børn og personer under 18 år må ikke anvende buskrydderen/trådtrimmeren. Personer over 16 år må anvende maskinen til træningsformål, men kun under vejledning af en kvalificeret underviser.
- Vær meget opmærksom og forsigtig, når du anvender buskrydderen/trådtrimmeren.
- Anvend kun buskrydderen/trådtrimmeren, hvis du er i god fysik form. Udfør alt arbejde roligt og forsigtigt. Brugere har ansvaret for de personer, der er i nærheden af dem.
- Brug aldrig buskrydderen/trådtrimmeren efter indtagelse af alkohol eller medicin, eller hvis du føler dig træt eller dårligt tilpas.

ADVARSEL: Denne maskine frembringer et elektromagnetisk felt under anvendelsen. Dette felt kan under visse omstændigheder interferere med aktive eller passive medicinske implantater. For at reducere risikoen for alvorlig eller livsfarlig tilskadekomst anbefaler vi, at personer med medicinske implantater konsulterer deres læge og producenten af det medicinske implantat, inden de betjener denne maskine.

Beregnet brug af maskinen

- Buskrydderen/trådtrimmeren er kun beregnet til klipping af græs, ukrudt, buskads og anden lignende bundvegetation, og bør ikke anvendes til nogen andre formål, som fx kantafretning eller hækkeklipping, eftersom det kan medføre skader.

Personligt sikkerhedsudstyr

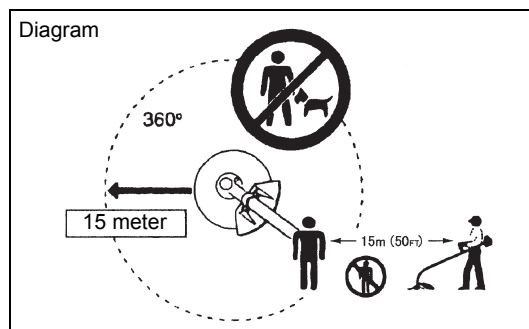
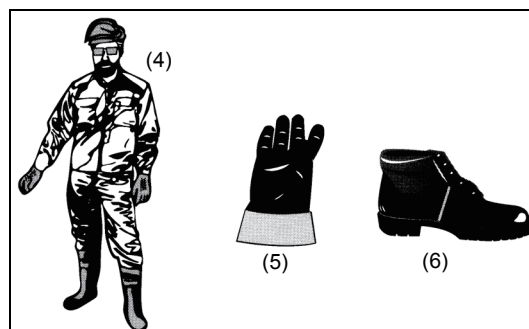
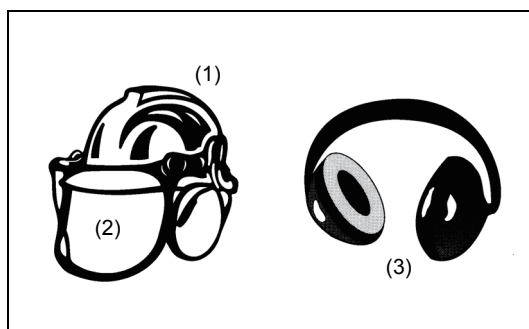
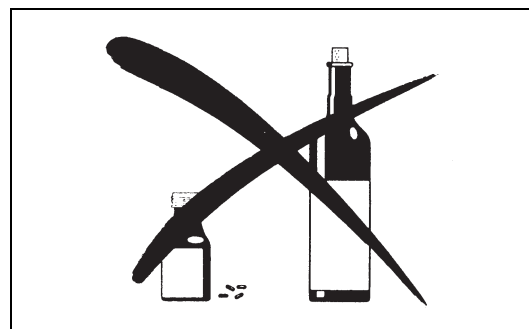
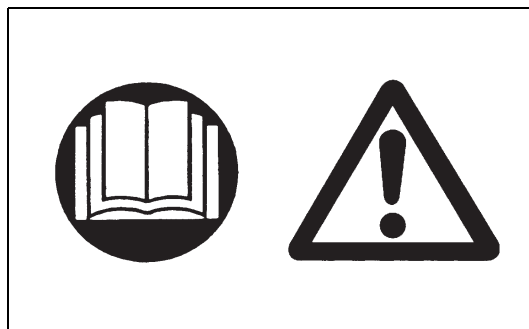
- Bær altid tøj, der både er funktionelt og passende til dit arbejde, dvs. tætsiddende, men ikke så tæt at det forhindrer bevægelse. Bær ikke smykker eller tøj, der kan sidde fast i buske eller krat.
- For at undgå skader på hoved, øjne, hænder eller fødder, samt for at beskytte din hørelse under brug, skal du altid anvende følgende sikkerhedsudstyr og beskyttelsesbeklædning, når du anvender buskrydderen/trådtrimmeren.
- Bær altid en hjelm på steder hvor der er risiko for, at ting falder ned. Beskyttelsehjelm (1) skal med jævne mellemrum efterses for skader, og skal udskiftes mindst hvert 5 år. Brug kun godkendte beskyttelsehelme.
- Hjelmens visir (2) (eller alternativt beskyttelsesbriller) beskytter ansigtet mod flyvende afskårne dele og sten. Under brug af buskrydderen/trådtrimmeren skal du altid anvende beskyttelsesbriller eller et visir for at forhindre øjenskader.
- Anvend passende midler til beskyttelse mod støj for at undgå hørenedsættelse (hørevern (3) ørepropper m.v.).
- Arbejdsoveralls (4) beskytter mod flyvende sten og afskårne stykker. Vi anbefaler på det stærkeste, at du anvender arbejdsoveralls.
- Specialhandsker (5), der er lavet af tykt læder, er en del af det foreskrevne udstyr og skal altid anvendes under betjening af buskrydderen/trådtrimmeren.
- Når du anvender buskrydderen/trådtrimmeren, skal du altid have solide sko på (6) med en skridsikker sål. Sådanne sko beskytter mod skader og sikrer et godt fodfæste.

Restrisici

- Det er ikke muligt at eliminere alle resterende risikofaktorer, selvom maskinen anvendes som beskrevet. De følgende farer kan muligvis opstå i forbindelse med maskinens konstruktion og design:
 1. Lungeskader, hvis der ikke anvendes en effektiv støvmaske.
 2. Høreskader, hvis der ikke anvendes et effektivt hørevern.
 3. Sundhedsskader pga. vibrationsemission, hvis maskinen anvendes over en længere periode eller ikke håndteres og vedligeholdes ordentligt.

Start af buskrydderen

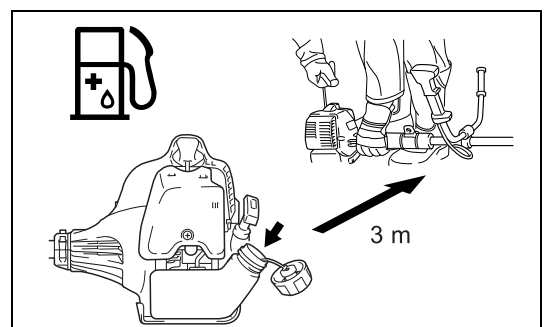
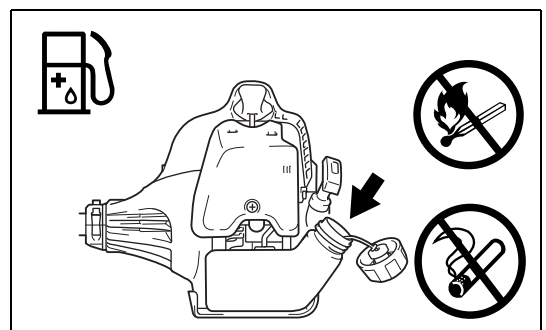
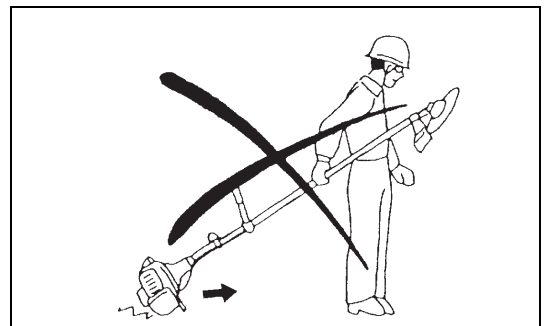
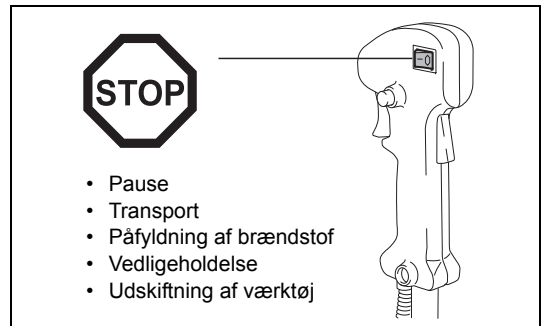
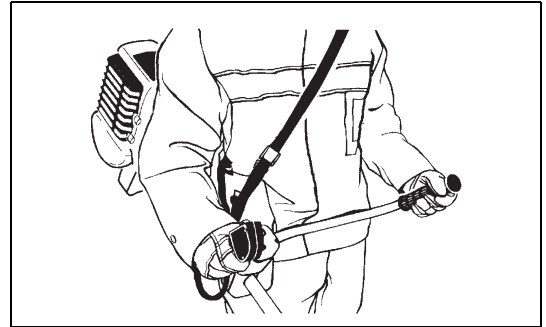
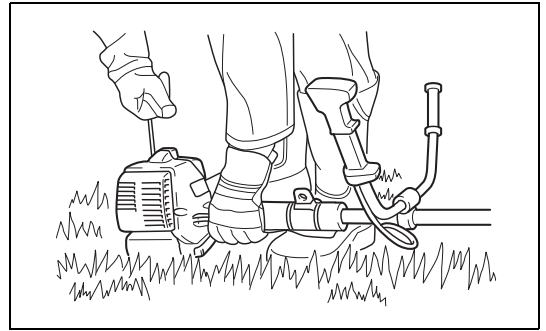
- Sørg for, at der ikke er nogen børn eller andre personer indenfor et arbejdsområde på 15 meter, samt vær opmærksom på eventuelle dyr i nærheden af arbejdsområdet.
- Du skal altid kontrollere om buskrydderen/trådtrimmeren er klar til brug, inden du starter med at anvende den: Kontroller om skæreværktøjet er fastgjort, om betjeningshåndtaget nemt kan betjenes, og om betjeningshåndtagets lås fungerer korrekt.
- Skæreværktøjet må ikke rotere i tomgang. Konsulter din forhandler hvis du mener, at maskinen behøver justering. Sikr dig at håndtagene er rene og tørre, samt at start/stop-afbryderen fungerer korrekt.



- Start kun buskrydderen/trådtrimmeren som beskrevet i brugsanvisningen. Benyt ikke andre metoder til at starte motoren med!
- Brug kun buskrydderen/trådtrimmeren og værktøjerne til de specificerede formål.
- Start først motoren på buskrydderen/trådtrimmeren, når maskinen er helt samlet. Betjen ikke maskinen før alt det nødvendige tilbehør er monteret.
- Inden du starter, skal du sikre dig, at skæreværktøjet ikke er i kontakt med hårde objekter som fx grene, sten eller lignende, eftersom skæreværktøjet roterer, når du starter.
- Sluk straks for motoren, hvis der opstår et eller andet problem med motoren.
- Skulle skæreværktøjet ramme sten eller andre hårde objekter, skal du straks slukke for motoren og efterse skæreværktøjet.
- Efterse skæreværktøjet for skader med korte jævne mellemrum (efterse for hårridser vha. banketesten).
- Anvend kun buskrydderen/trådtrimmeren når du har monteret og justeret skulderremmen til den rigtige længde. Skulderremmen skal justeres efter brugerens størrelse og fastgøres for at forhindre udmattelse under betjeningen af maskinen. Hold aldrig buskrydderen med kun en hånd under brug.
- Buskrydderen/trådtrimmeren skal altid holdes med begge hænder under brug. Sørg for altid at have et godt fodfæste.
- Betjen buskrydderen/trådtrimmeren på en sådan måde at du undgår at inhalere udstødningsgasserne. Start aldrig motoren på et indelukket sted som fx inde i et rum (risiko for gasforgiftning). Kulilte er en lugtfri gasart.
- Sluk altid for motoren når du holder pause, eller hvis du har tænkt dig at gå fra buskrydderen/trådtrimmeren, og placer den på et sikkert sted for at forhindre, at andre mennesker kommer til skade på den, eller at maskinen beskadiges.
- Placer aldrig den varme buskrydder/trådtrimmer på tørt græs eller på andre brændbare materialer.
- Skæreværktøjet skal altid være udstyret med den tilhørende skærm. Anvend aldrig buskrydderen uden denne skærm!
- Alle sikkerhedsinstallationer og skærme, der følger med maskinen, skal anvendes under betjeningen.
- Betjen aldrig motoren hvis lydæmperen er defekt.
- Sluk for motoren under transport.
- Monter altid afskærmningen på klingens, når du transporterer maskinen.
- Sørg for, at buskrydderen/trådtrimmeren er placeret på korrekt vis under transport for at undgå brændstoftækage.
- Når du transporterer buskrydderen/trådtrimmeren, skal du sørge for, at brændstoftanken er helt tom.
- Du må aldrig tage motoren på jorden, når du tager buskrydderen/trådtrimmeren ned fra en lastbil eller et lignende køretøj, eftersom det kan forvolde stor skade på brændstoftanken.
- Medmindre det er i et nødstilfælde, må du aldrig tage eller smide buskrydderen/trådtrimmeren ned på jorden, eftersom det kan forvolde alvorlige skader på buskrydderen/trådtrimmeren.
- Løft altid hele maskinen op fra jorden, når du flytter den. Det er meget risikabelt at trække maskinen hen over jorden på dens brændstoftank, hvilket kan forårsage, at der lækker brændstof ud og opstår brand.
- Hvis maskinen bliver udsat for stærkt tryk eller tabes, skal du kontrollere dens tilstand, inden du fortsætter arbejdet. Kontroller brændstoftankens system for brændstoftækage samt betjenings- og sikkerhedsudstyr for funktionsfejl. Hvis der er nogen skader eller tvivlsspørgsmål, skal du bede vores autoriserede servicecenter om at foretage eftersyn og reparation.

Påfyldning af brændstof

- Sluk for motoren under påfyldning af brændstof, hold maskinen væk fra åben ild samt ryg ikke under påfyldning af brændstof.
- Sørg for, at mineralske olieprodukter ikke kommer i kontakt med huden. Inhaler ikke brændstofdamp. Bær altid beskyttelseshandsker under påfyldning af brændstof. Skift og rens beskyttelsesbeklædningen med jævne mellemrum.
- Sørg for, at du ikke spilder brændstof eller olie på jorden for at undgå jordforurening (miljøbeskyttelse). Hvis du spilder brændstof, skal du straks rengøre buskrydderen/trådtrimmeren.
- Sørg for, at brændstoffet ikke kommer i kontakt med dit tøj. Hvis brændstof kommer i kontakt med dit tøj, skal du straks skifte tøj for at forhindre brand.
- Efterse brændstofdækslet med jævne mellemrum for at sikre, at det kan lukkes ordentligt, og der ikke lækker brændstof ud.
- Skru omhyggeligt brændstoftankens dæksel på. Når påfyldningen af brændstof er gennemført, skal du flytte mindst 3 meter væk fra det sted, hvor du fyldte brændstoffet på, inden du starter motoren.



- Påfyld aldrig brændstof på et indelukket sted som fx inde i et rum. Hvis du gør det, kan det forårsage en eksplosion pga. ophobningen af brændstofdampene ved jordoverfladen.
- Foretag kun transport og opbevaring af brændstof i godkendte beholdere. Sørg for, at brændstof opbevares således, at børn ikke har adgang til det.

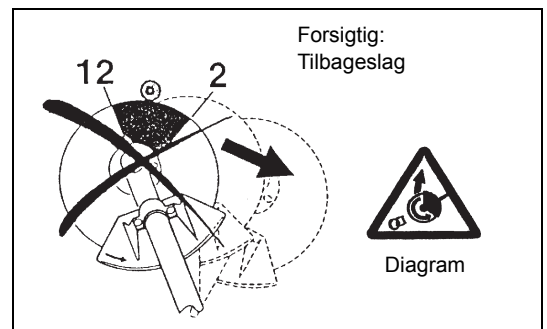
Betjening

- Brug kun buskrydderen/trådtrimmeren på steder med god belysning og sigtbarhed. Om vinteren skal du være opmærksom på glatte eller våde steder som fx steder med islag eller sne (risiko for at du glider). Sørg for altid at have et godt fodfæste.
- Skær aldrig over hoftehøjde.
- Stå aldrig på en stige, mens du anvender buskrydderen/trådtrimmeren.
- Klatr aldrig op i træer for at anvende buskrydderen/trådtrimmeren der.
- Arbejd aldrig på ustabile overflader.
- Fjern sand, sten, søm m.v. som findes inden for arbejdsområdet. Fremmedlegemer kan beskadige skæreværktøjet og forårsage farlige tilbageslag.
- Inden du starter med at skære, skal du sikre dig, at skæreværktøjet er nået op på fuld arbejdshastighed.
- Hvis der sætter sig græs eller grene fast mellem skæreværktøjet og afskærmningen, skal du altid standse motoren inden rengøring. Ellers kan utilsigtet klingerotation muligvis forårsage alvorlige personskader.
- Hold pauser for at forhindre tab af kontrol pga. træthed. Vi anbefaler, at du tager en 10 til 20 minutters pause hver time.



Tilbageslag (klingestød)

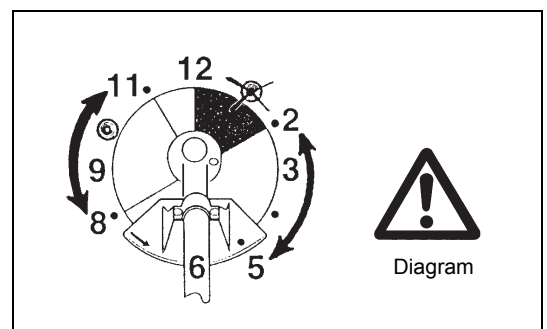
- Der kan opstå ukontrollerede tilbageslag, når du arbejder med buskrydderen.
- Tilbageslag opstår ofte, når du forsøger at skære med den del af klingens, der svarer til klokken 12 til 2.
- Anvend aldrig den del af buskrydderklingen der svarer til klokken 12 til 2.
- Anvend aldrig denne del af buskrydderklingen på solide genstande som fx buske eller træer m.v., der har en diameter på mere en 3 cm. Hvis du gør det, slås buskrydderen tilbage med stor kraft, hvilket er ekstremt farligt og kan forårsage personskader.



Forebyggelse af tilbageslag

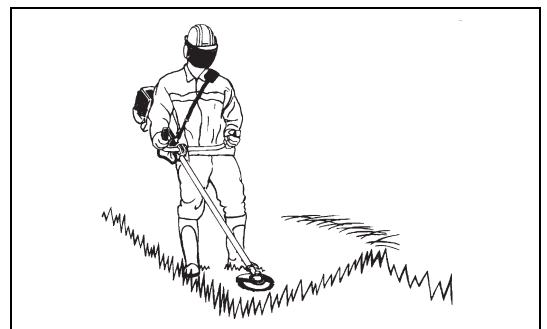
Husk på følgende for at undgå tilbageslag:

- Det er ekstremt farligt at anvende den del af klingens, der svarer til klokken 12 til 2, især når du anvender skæreværktøjer af metal.
- Skærearbejde med den del af klingens der svarer til klokken 11 til 12 og 2 til 5, må kun udføres af trænede og erfarne personer, og kun på egen risiko. Den optimale skæredel for nem udførelse af skærearbejde næsten uden tilbageslag, er den del af klingens, der svarer til klokken 8 til 11.



Skæreværktøjer

- Brug et skæreværktøj som er relevant til det forhåndenværende job. Nylontrimmerhoveder (trådtrimmerhoveder) er egnet til trimning af græsplæner. Metalklinger er egnet til skæring af ukrudt, højt græs, buske, krat, underskov, buskadsere og lignende. Brug aldrig andre klinger, herunder pivoterende flerstykkede metalkæder og tærseklinger. Ellers kan det muligvis medføre alvorlig personskade.
- Undgå "tilbageslag" ved brug af metalklinger og vær altid forberedt på et hændeligt tilbageslag. Se afsnittet "Tilbageslag" og "Forebyggelse af tilbageslag".



Vedligeholdelsesvejledning

- Få din maskine servicere af dit autoriserede servicecenter og anvend altid kun originale reservedele. Forkert reparation og dårlig vedligeholdelse kan forkorte maskinens levetid og forøge risikoen for uheld.
- Kontroller altid buskrydderens tilstand, med særlig vægt på buskrydderens sikkerhedsudstyr og skulderrem, inden du udfører arbejde. Vær også ekstra opmærksom på klingerne, der skal være slebet korrekt.
- Sluk for motoren og fjern tændrørshætten, når du udskifter eller sliber skæreværktøjet, samt også når du rengør buskrydderen eller skæreværktøjet.

Forsøg aldrig at rette beskadigede skæreværktøjer ud eller svejse dem.

- Anvend buskrydderen/trådtrimmeren således at der dannes mindst muligt støj og forurening. Det er især vigtigt at kontrollere, at karburatoren er indstillet korrekt.
- Rengør buskrydderen/trådtrimmeren med jævne mellemrum og kontroller, at alle skruer og møtrikker er strammet ordentligt til.
- Du må aldrig foretage service på buskrydderen/trådtrimmeren eller opbevare den i nærheden af åben ild.
- Opbevar altid buskrydderen/trådtrimmeren på et aflåst sted og med en tømt brændstoftank.
- Monter altid afskærmningen på klingens, når du rengør, servicerer og opbevarer maskinen.

Overhold de relevante vejledninger angående ulykkesforebyggelse som udgives af de pågældende brancheforeninger og forsikringsfirmaer.

Foretag ikke nogen ændringer på buskrydderen/trådtrimmeren, eftersom det sætter din sikkerhed i fare.

Udførelsen af vedligeholdelsesarbejde eller reparationer af brugeren er begrænset til de ting, der er beskrevet i brugsanvisningen. Alt andet arbejde skal udføres af en godkendt serviceagent. Brug kun ægte reservedele og tilbehør som forhandles og leveres af MAKITA.

Brug af ikke-godkendt tilbehør og værktøjer giver en forøget risiko for ulykker. MAKITA påtager sig intet ansvar for ulykker eller skader, der er opstået på grund af brug af ikke-godkendte skæreværktøjer, fastgørelsesmidler til skæreværktøjer eller tilbehør.

Førstehjælp

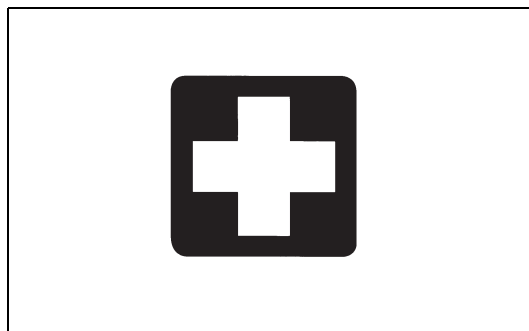
I tilfælde af en ulykke skal du sørge for at have en førstehjælpskasse i nærheden af det sted, hvor du udfører skærearbejde. Erstat straks de ting der benyttes fra førstehjælpskassen.

Oplys venligst følgende hvis du tilkalder hjælp:

- Stedet hvor ulykken er sket
- Hvad der er sket
- Antallet af tilskadede personer
- Hvilke skader det drejer sig om
- Dit navn

Vibration

- Personer med dårligt blodomløb, der udsættes for kraftige vibrationer, risikerer beskadigelse af blodkar eller nervesystemet. Vibrationer kan medføre følgende symptomer i fingre, hænder eller håndled: Leddet "sover" (følelsesløshed), prikken, smerte, stikken, ændring af hudfarven eller af huden. Søg læge, hvis nogle af disse symptomer opstår!
- For at reducere risikoen for "hvide fingre-syndrom" skal du holde dine varme under anvendelsen og vedligeholde udstyret og tilbehøret ordentligt.



Kun for lande i Europa

EF-overensstemmelseserklæring

Vi, Makita Corporation, erklærer som ansvarlig producent at følgende Makita-maskine(r):

Maskinens betegnelse: Buskrydder/Trådtrimmer
Modelnummer/type: EM2600U, EM2600L
Specifikationer: se skemaet "TEKNISKE DATA"

er en produktionsserie og

Overholder følgende europæiske direktiver:

2000/14/EF, 2006/42/EF, 2004/108/EF

Og er produceret i overensstemmelse med følgende standarder eller standardiserede dokumenter:

EN ISO 11806-1, EN ISO 14982

Den tekniske dokumentation findes hos:

Makita International Europe Ltd., Technical Department,
Michigan Drive, Tongwell, Milton Keynes, Bucks MK15 8JD, England

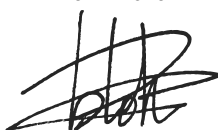
Den konformitetsvurderingsprocedure, der kræves af Direktiv 2000/14/EF, blev udført i henhold til appendiks V.

Målt lydeffektniveau (som en trådtrimmer): 109,77 dB

Målt lydeffektniveau (som en buskrydder): 107,29 dB

Garanteret lydeffektniveau: 112 dB

15. 4. 2013



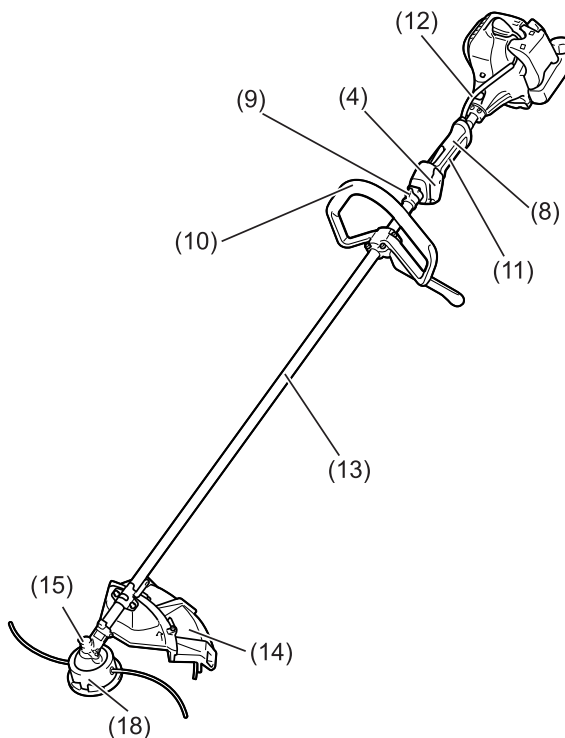
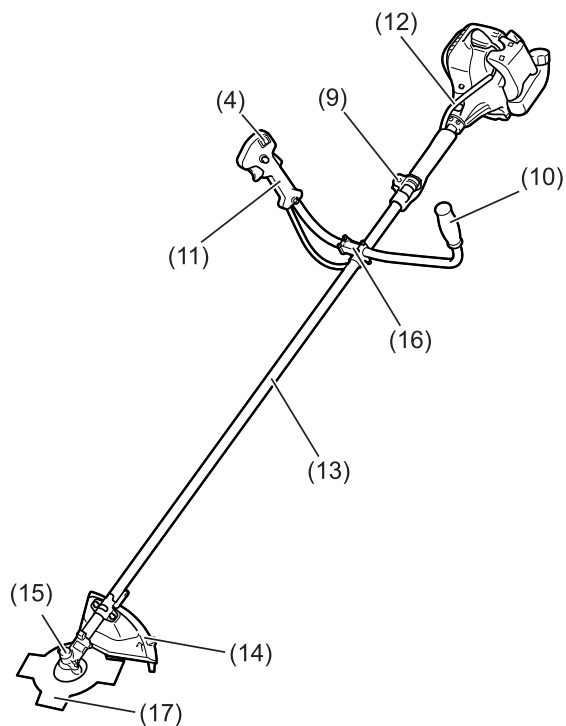
Tomoyasu Kato
Direktør

Makita Corporation
3-11-8, Sumiyoshi-cho,
Anjo, Aichi, JAPAN

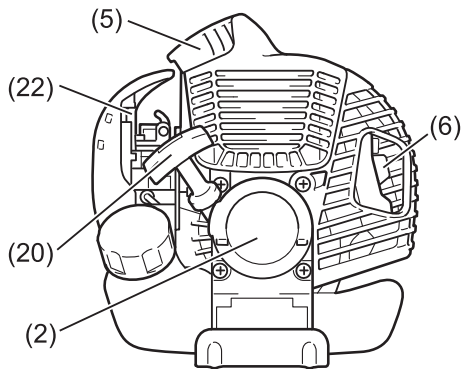
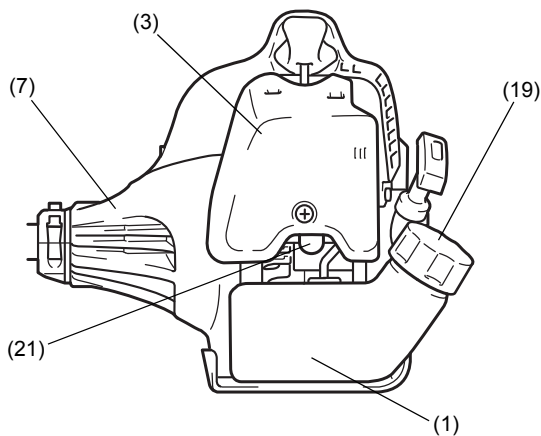
Tekniske data

Model		EM2600U	EM2600L
		U-håndtag	Bøjlehåndtag
Mål: længde x bredde x højde (uden klinger)		1.770 x 610 x 410 mm	1.770 x 330 x 185 mm
Nettovægt		5 kg	5 kg
Motorvolumen		25,7 cm ³	
Maksimal motorydelse		0,83 kW	
Maksimal spindelrotationsfrekvens		8.800 min ⁻¹	
Skæreudstyr	Metalklinge i et stykke	φ230 mm	
	Trådtrimmerhoved	φ430 mm	
Tomgangshastighed		3.000/min.	
Omdrejningstal ved indkobling		4.100/min.	
Gearforhold		14/19	
Brændstof		Benzinblanding Benzin: Totaktsmotorolie = 50:1	
Volumen (brændstoffank)		0,6 l	
Karburator		WALBRO WYC	
Tændrør		NGK BPMR7A	
Elektrodeafstand		0,6 - 0,7 mm	
Vibration: (for buskrydder)	Venstre håndtag (forreste greb)	14,680 m/s ² K = 1,5 m/s ²	5,152 m/s ² K = 1,5 m/s ²
	Højre håndtag (bagerste greb)	9,037 m/s ² K = 1,5 m/s ²	9,677 m/s ² K = 1,5 m/s ²
Vibration: (for trådtrimmer)	Venstre håndtag (forreste greb)	7,961 m/s ² K = 1,5 m/s ²	8,83 m/s ² K = 1,5 m/s ²
	Højre håndtag (forreste greb)	7,019 m/s ² K = 1,5 m/s ²	14,381 m/s ² K = 1,5 m/s ²
Støj (testet i henhold til 2000/14/EF og 2005/88/EF):			
Lydtryksniveau på operatørens position (trådtrimmer):		98,52 dB (A) K = 2,5 dB (A)	
Lydtryksniveau på operatørens position (buskrydder):		96,15 dB (A) K = 2,5 dB (A)	
Målt lydeffektniveau (trådtrimmer):		109,77 dB (A) K = 2,5 dB (A)	
Målt lydeffektniveau (buskrydder):		107,29 dB (A) K = 2,5 dB (A)	
Støj (testet i henhold til 2000/14/EF og 2005/88/EF): garanterede lydeffektverdier		112 dB (A)	

**EM2600U
U-håndtagstype**



**EM2600L
Bøjlehåndtagstype**



Delenes betegnelse	
1	Brændstoftank
2	Startsnor
3	Luffilter
4	I-stop-kontakt (tænd/sluk)/ start-stop-kontakt
5	Tændrør
6	Lyddæmper
7	Koblingshus
8	Bagerste greb
9	Bøjle
10	Håndtag
11	Betjeningshåndtag
12	Styrekabel
13	Skaf
14	Skærm (Afskærmning for skæreværktøj)
15	Gearkasse
16	Håndtagholder
17	Klinge
18	Nylontrimmerhoved
19	Brændstofdæksel
20	Starthåndtag
21	Tipper
22	Chokerhåndtag

Montering af håndtag

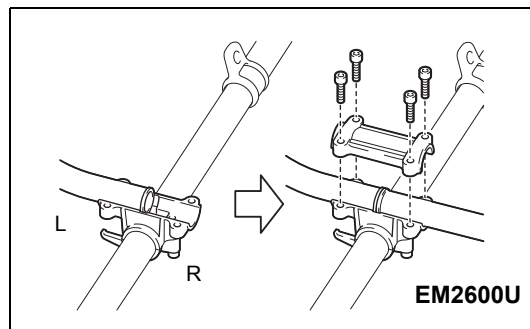
FORSIGTIG: Inden du udfører arbejde på buskrydderen, skal du altid stoppe motoren og fjerne tændrørshætten fra tændrøret. Bær altid beskyttelseshandsker!

FORSIGTIG: Sørg for, at du har samlet buskrydderen helt, inden du starter den.

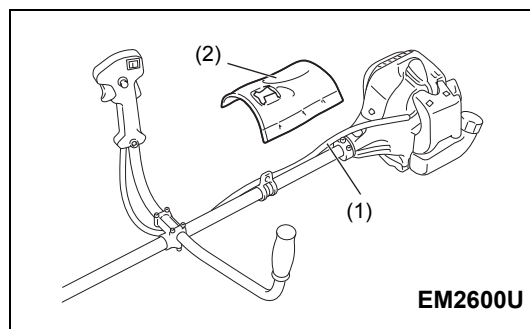


For modeller med U-håndtag

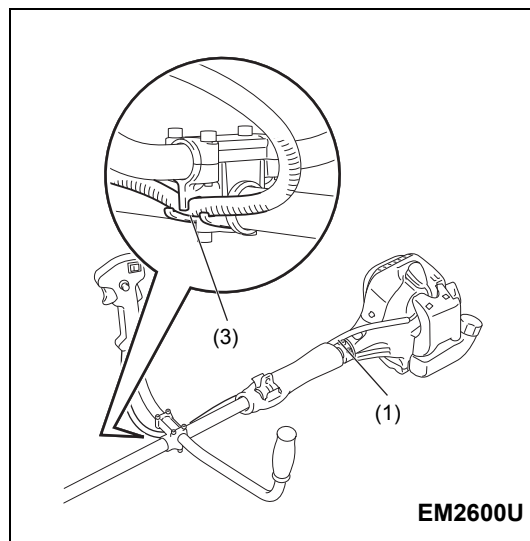
- Placer de to håndtag på håndtagsholderen. Betjeningshåndtaget skal sidde i højre side, når du ser mod skæreværktøjet.
- Fastgør håndtagsenderne i rillen i håndtagsholderen og fastgør klemmen på dem. Stram dem en lille smule med de fire bolte til justering.
- Juster vinklen på håndtagene og stram derefter alle boltene ligeligt med en unbrakonøgle.



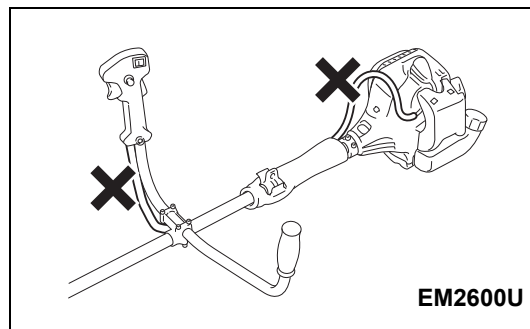
- Placer gaskablet (1) på betjeningshåndtagets side af skaftet. Vikl dem derefter hoftepolstringen (2) omkring dem.



- Sæt gaskablet (1) ind i klemmeåbningen (3) på håndtagsholderen.
- Sørg for, at gaskablet er placeret som vist.
- Betjen betjeningshåndtaget og sørg for at det bevæger sig jævnt.

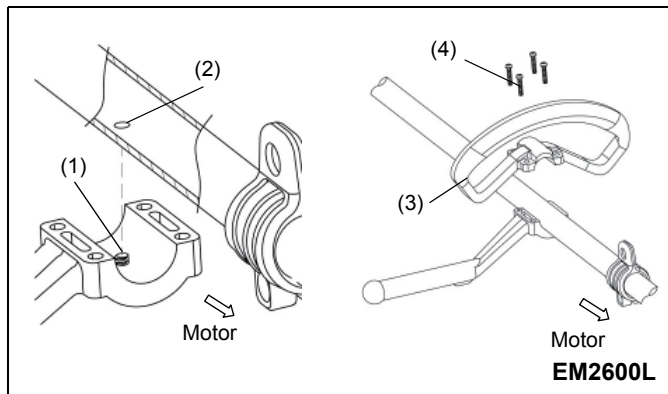


FORSIGTIG: Placer ikke gaskablet som vist. Et på anden vis buet kabel kan muligvis medføre høj tomgangshastighed, og en ukontrollerbar klinge kan medføre personskader.



For model med bøjlehåndtag

- Put gevindet (1) på håndtagsholderen ind i positionshullet (2) på røret.
- Fastgør det assisterende håndtag (3) på spærren.
- Stram de 4 bolte (4) M5 × 30.

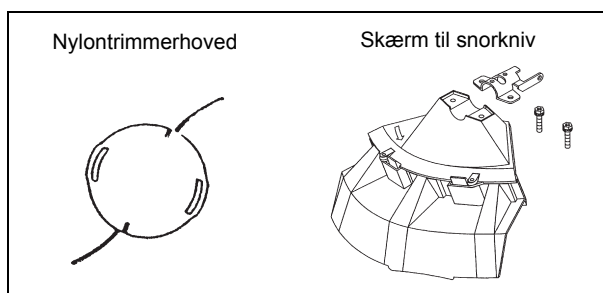
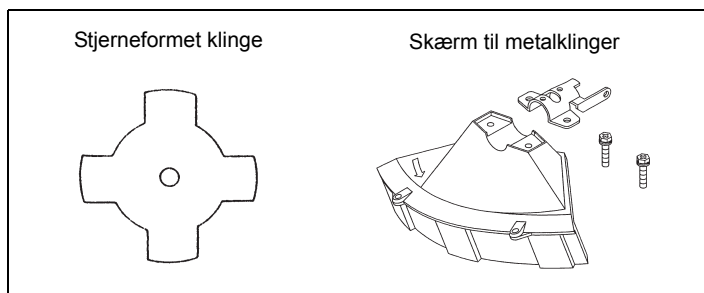


Montering af skærm

Du må kun anvende værktøjet/de skærmskombinationer, som er angivet i skemaet, for at kunne leve op til de gældende sikkerhedsstandarder.

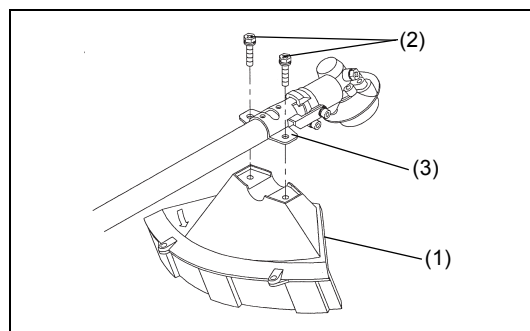
Anvend altid ægte MAKITA-klinger/nylontrimmerhoved.

- Buskrydderens klinge skal være velpudset og fri for ridser og revner. Hvis klingens rammer mod en sten under arbejdet, skal du stoppe motoren og straks undersøge klingens.
- Puds eller udskift klingens efter hver tre timers brug.
- Hvis nylontrimmerhovedet rammer mod en sten under arbejdet, skal du stoppe motoren og øjeblikkeligt undersøge nylontrimmerhovedet.

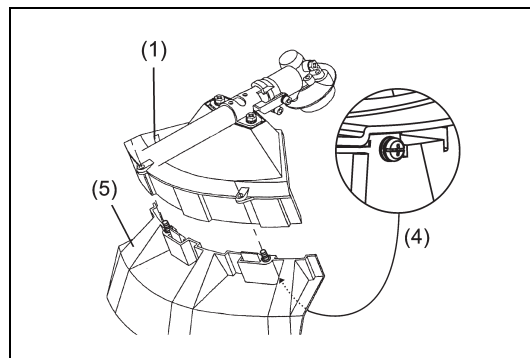


FORSIGTIG: Der skal altid være monteret de rigtige skærme for din egen sikkerheds skyld samt for at overholde bestemmelserne for ulykkesforebyggelse. Det er forbudt at bruge maskinen, hvis afskærmningen ikke er monteret.

- Fastgør skærmen (1) til klemmen (3) med to M6 x 30 bolte (2).



- Når du anvender et nylontrimmerhoved, skal du fastgøre skærmen (5) i skærmen (1) og spænde dem med to skrue (4).

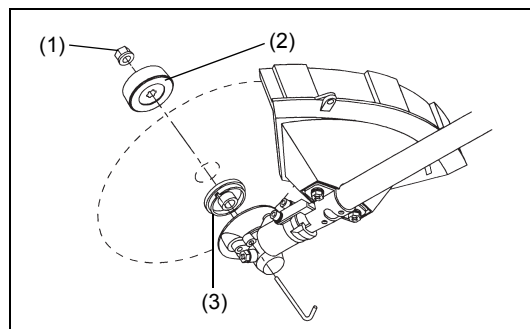


Montering af klinge/nylontrimmerhoved

Klingen eller nylontrimmerhovedet kan nemt udskiftes ved først at vende maskinen på hovedet.



- Indsæt unbrakonøglen gennem hullet i gearkassen og drej modtageskiven (3) indtil den er låst med unbrakonøglen.
- Løsn møtrikken/fjederskiven (1) (venstregevind) med topnøglen og fjern møtrikken/fjederskiven (1) og klemmeskiven (2).

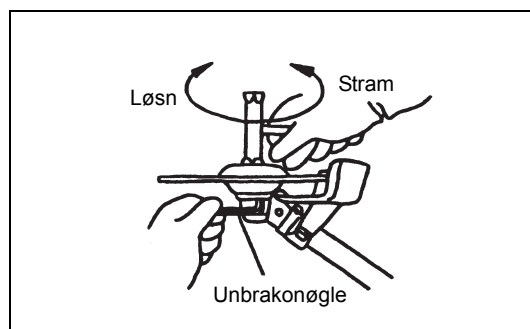


Med unbrakonøglen stadig på plads

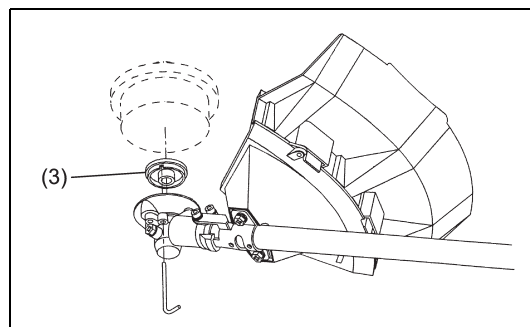
- Monter klingen på skaftet sådan at føringen på modtageskiven (3) passer ind i skaftåbningen på klingen. Monter klemmeskiven (2) og fastgør klingen med møtrikken/fjederskiven (1).
[Tilspændingsmoment: 13 - 23 N·m]

BEMÆRK: Bær altid handsker, når du håndterer klingen.

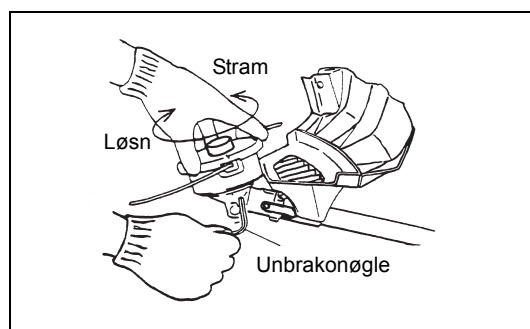
BEMÆRK: Fastspændingsmøtrikken til klingen (med fjederskive) er en forbrugsdel. Hvis der kan ses slid eller deformation på fjederskiven, skal du udskifte møtrikken.



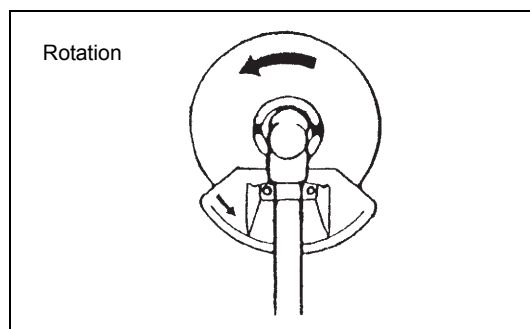
BEMÆRK: Klemmeskiven (2) og møtrikken/fjederskiven (1) behøves ikke til montering af nylontrimmerhovedet. Nylontrimmerhovedet placeres oven på modtageskiven (3).



- Skru nylontrimmerhovedet fast på skaftet.



- Sørg for at klingen roterer mod urets retning.



Håndtering af brændstof

Du skal være yderst forsigtig, når du håndterer brændstof. Brændstof kan indeholde substanser, der minder om opløsningsmidler. Påfyld brændstof i et godt ventileret rum eller udendørs. Inhaler ikke brændstoffdampe og undgå enhver kontakt mellem brændstof eller olie og din hud.

Mineralske olieprodukter fjerner fedtet fra din hud. Længerevarende hudkontakt med disse produkter kan gøre din hud utrolig tør, hvilket kan resultere i forskellige former for hudsygdomme. Endvidere kan der opstå allergiske reaktioner.

Øjnene kan blive irriterede ved kontakt med olie. Hvis du får olie i øjnene, skal du straks vaske dem med rent vand. Hvis dine øjne stadig er irriterede, skal du straks opsøge en læge.

Blanding af benzin og olie

Buskrydderens motor er en højeffektiv totaktsmotor. Den kører på en blanding af brændstof og totaktsmotorolie. Motoren er designet til at anvende den specificerede brændstof med en minimumoktanværdi på 91 RON.

For at opnå optimal motorydeevne og for at beskytte dit helbred og miljøet, skal du kun anvende blyfrit brændstof!

Tilsæt totaktsmotorolie for at smøre motoren (kvalitetsklasse: JASO FC eller ISO EGD) til brændstoffet. Motoren er designet til at anvende den specificerede totaktsmotorolie med et blandingsforhold på 50:1 for at beskytte miljøet.

Endvidere garanteres lang brugslevetid samtidig med en pålidelig funktion og minimale emissioner ved brug af dette blandingsforhold. Der kan ikke garanteres en pålidelig funktion af buskrydderen medmindre, at dette blandingsforhold på 50:1 (specificeret 2-taktsmotorolie) strengt overholdes.

Korrekt blandingsforhold:

Benzin: Specificeret totaktsmotorolie = 50 : 1 eller

Benzin: Anden producents totaktsmotorolie =25 : 1 anbefales

BEMÆRK: For at lave blandingen af brændstof-olie skal du først blande hele oliemængden med halvdelen af det nødvendige brændstof, og derefter tilføje det resterende brændstof. Ryst blandingen godt inden du hælder den ind i tanken på buskrydderen. Tilføj af sikkerhedsmæssige årsager ikke mere olie end den specificerede mængde. Hvis du gør det, resulterer det blot i en højere produktion af forbrændingsrester, der forurener miljøet og tilstopper udstødningskanalen i cylinderen såvel som lyddæmperen. Endvidere stiger brændstofforbruget og ydeevnen forringes.

Påfyldning af brændstof

Motoren skal slukkes.



- Foretag grundig rensning af området omkring brændstoffdækslet (2) for at forhindre at der kommer snavs i brændstofftanken (1).
- Skru brændstoffdækslet (2) af og fyld tanken op med brændstof.
- Skru brændstoffdækslet (2) ordentligt på.
- Rengør brændstoffdækslet (2) og tanken efter påfyldning af brændstof.

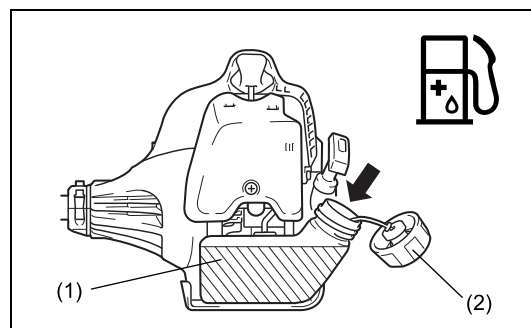
Opbevaring af brændstof

Brændstof kan ikke opbevares i en ubegrænset tidsperiode.

Køb kun den mængde som er nødvendig for 4 ugers arbejde. Anvend kun godkendte opbevaringsbeholdere.



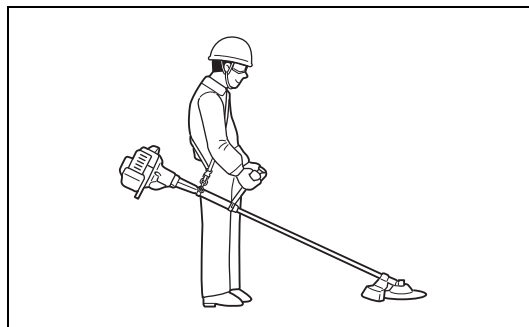
Benzin	50:1	25:1
	+	
1.000 cm ³ (1 liter)	20 cm ³	40 cm ³
5.000 cm ³ (5 liter)	100 cm ³	200 cm ³
10.000 cm ³ (10 liter)	200 cm ³	400 cm ³



Korrekt håndtering

Montering af skulderrem

- Juster længden af remmen så klingerne holdes parallelt med jorden.

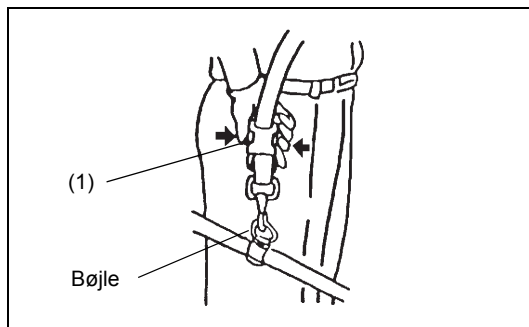


Aftagning

- I nødstilfælde skal du trykke på indsnittene (1) på begge sider for at tage maskinen af.
Du skal være meget omhyggelig med at beholde kontrollen over maskinen på dette tidspunkt. Tillad ikke maskinen at blive slået tilbage mod dig eller andre i nærheden.

ADVARSEL: Hvis du ikke har fuld kontrol over maskinen, kan det resultere i alvorlig kvæstelse eller DØD.

Bemærk: I visse lande er skulderremmen ikke udstyret med denne aftagningsfunktion.



Vigtige punkter angående betjening/standsning af buskrydderen/trådtrimmeren

Overhold de gældende bestemmelser for ulykkesforebyggelse.



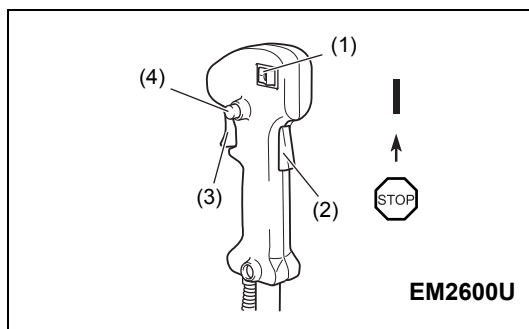
Start af maskinen

Flyt mindst 3 m væk fra det sted, hvor du fyldte olie på maskinen. Placer buskrydderen på et rent jordunderlag, mens du passer på, at skæreværktøjet ikke kommer i kontakt med jorden eller andre genstande.

ADVARSEL: Vær opmærksom på at skæreværktøjet straks begynder at rotere, efter motoren er startet.

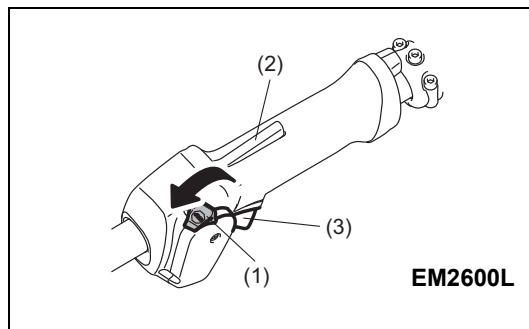
Kold start for modeller med U-håndtag

- Indstil I-stop-kontakten (tænd/sluk) (1) som illustreret.
- Tag fat i håndtaget (trykket fra hånden aktiverer sikkerhedslås-mekanismen (2)).
- Tryk på gasknappen (3) og hold den inde.
- Tryk på låseknappen (4) og slip betjeningshåndtaget, og slip derefter låseknappen (låseknappen holder gasknappen i startpositionen).



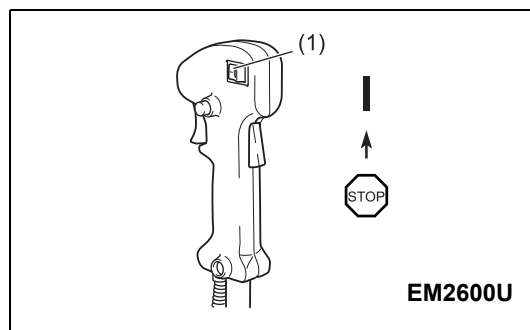
Kold start for modeller med bøjlehåndtag

- Indstil start-stop-kontakten (1) på startpositionen som illustreret.
- Tag fat i håndtaget (trykket fra hånden aktiverer sikkerhedslås-mekanismen (2)).
- Tryk på gasknappen (3) og hold den inde.
- Sæt start-stop-kontakten (1) på startpositionen og slip betjeningshåndtaget, og frigør derefter start-stop-kontakten (start-stop-kontakten holder gasknappen i startpositionen).



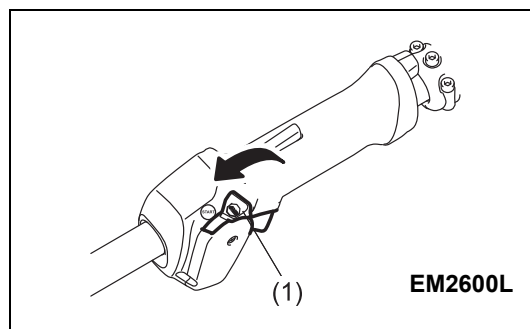
Varm start for modeller med U-håndtag

- Indstil I-stop-kontakten (tænd/sluk) (1) som illustreret.



Varm start for modeller med bøjlehåndtag

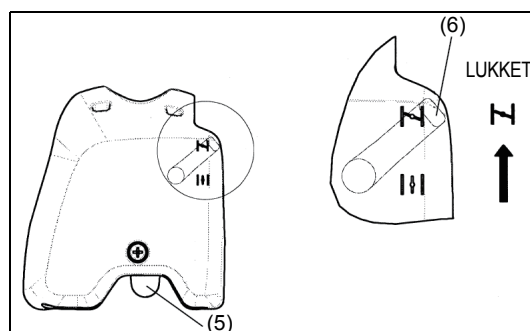
- Indstil start-stop-kontakten (1) på den neutrale position som illustreret.



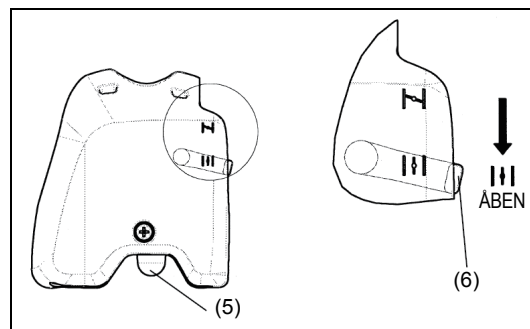
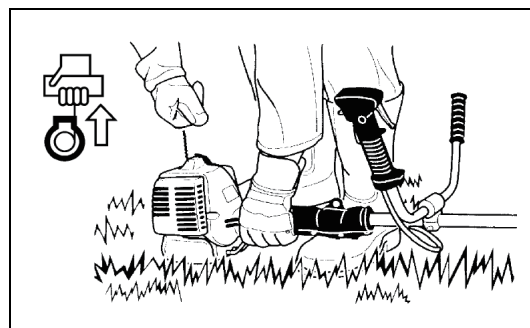
- Placer først maskinen på jorden.
- Tryk forsigtigt flere gange (7-10 gange) på tipperen (5) indtil der kommer brændstof ind i tipperen.
- Luk chokerhåndtaget (6).

Chokeråbning:

- Helt lukket ved kolde temperaturer, eller når motoren er kold.
- Helt eller halvt åben ved genstart, mens motoren stadig er varm.



- Hold koblingshuset med din venstre hånd som vist på tegningen.
- Træk langsomt i startsnoren indtil du føler modstand, og træk derefter hurtigt tilbage.
- Træk ikke starterhåndtaget helt ud i dens fulde længde, og lad den ikke trække sig tilbage. Behold grebet på startsnoren og sørg for, at den trækker sig langsomt tilbage.
- Gentag startproceduren indtil du hører, at motoren begynder at tænde.
- Tryk ud på chokerhåndtaget (6) (↓) og træk igen i startsnoren indtil motoren starter.
- Så snart motoren starter, skal du straks trykke og slippe gasknappen, for at frigøre halv-kraft-låsen og lade motoren gå i tomgang.
- Kør motoren i cirka et minut ved moderat hastighed, inden du gasser helt op.



BEMÆRK: – Hvis du trækker flere gange i starterhåndtaget, mens chokerhåndtaget er i "↓"-positionen, vil motoren have svært ved at starte på grund af for stort brændstofindtag.

- Hvis der er opstået et for stort brændstofindtag, skal du fjerne tændrøret og trække langsomt i starterhåndtaget for at fjerne det overskydende brændstof. Tør også tændrørets elektrodedel af.

Vær opmærksom på følgende under arbejdet:

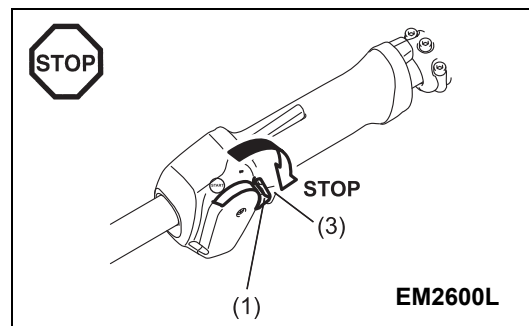
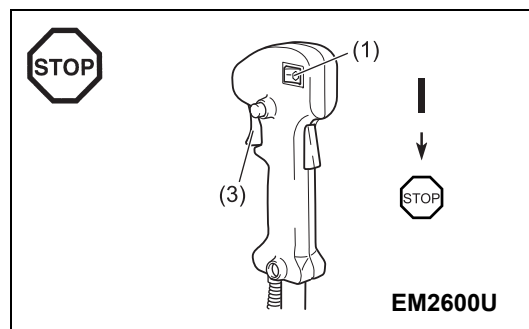
Hvis gasknappen åbnes helt op, uden der er nogen belastning, stiger motoromdrejningerne til over 10.000 min⁻¹. Betjen aldrig motoren ved højere hastighed end nødvendigt, og hold omdrejningerne på en omtrentlig hastighed af 6.000 - 8.000 min⁻¹.

FORSIGTIG: Reducer altid motoromdrejningerne, når udstyret ikke anvendes til arbejde.

Lader du maskinen køre ved høje omdrejninger, når den ikke anvendes til arbejde, forkortes maskinens brugslevetid.

Standsning

- Slip gasknappen (3) helt, og når motorens omdrejninger er faldet, skal du skubbe I-stop-kontakten (tænd/sluk)/start-stop-kontakten (1) over på positionen "STOP" for at standse motoren.
- Vær opmærksom på at trimmerhovedet ikke stopper med det samme, og du bør altid lade det sænke farten og stoppe helt af sig selv.



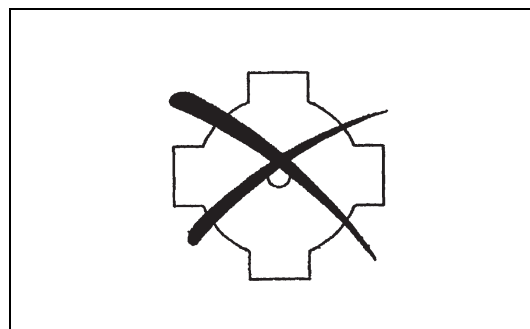
Slibning af skæreværktøjet

FORSIGTIG: De skæreværktøjer, der er nævnt nedenfor, må kun slibes på et autoriseret sted. Manuel slibning resulterer i ubalance i skæreværktøjet, hvilket forårsager vibrationer og skader på maskinen.

- Klinge (stjerneformet klinge (4 tænder))

Der ydes en professionel slibe- og balanceringsstjeneste af autoriserede serviceagenter.

BEMÆRK: For at forlænge brugslevetiden af klingens (stjerneformet klinge) kan klingens vendes om, for at der slides lige meget på begge skærekanter.



NYLONTRIMMERHOVED

Nylontrimmerhovedet er et trimmerhoved med to snore, som er udstyret med en bankfremføringsmekanisme.

Nylontrimmerhovedet fremfører nylon snoren, efter trimmerhovedet er blevet banket let ned i jorden.

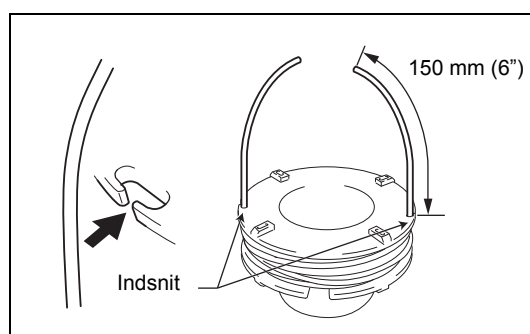
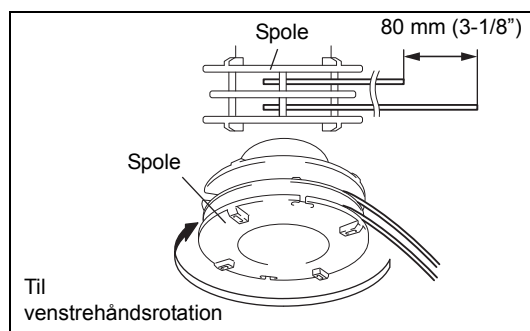
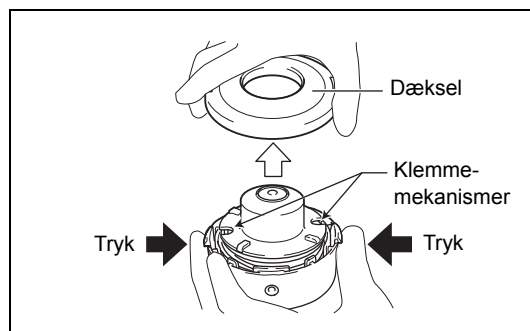
Betjening

- Det mest effektive skæreområde er vist med det skraverede område.
- For at fremføre nylon snoren skal du forøge nylontrimmerhovedets hastighed til ca. 6.000 min^{-1} og banke nylontrimmerhovedet let ned i jorden.
- Hvis nylontrimmerhovedet ikke fremfører nylon snoren vha. af lette bank, skal du oprulle/udskifte nylon snoren ved at følge de procedurer, som er beskrevet under "Udskiftning af nylon snoren".

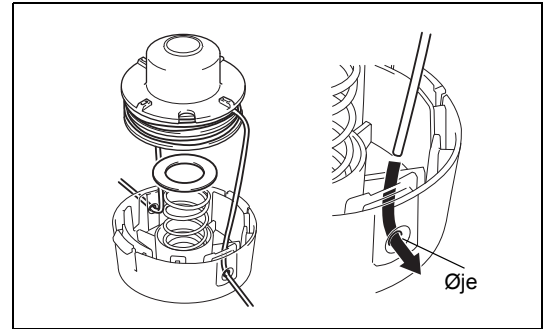


Udskiftning af nylon snor

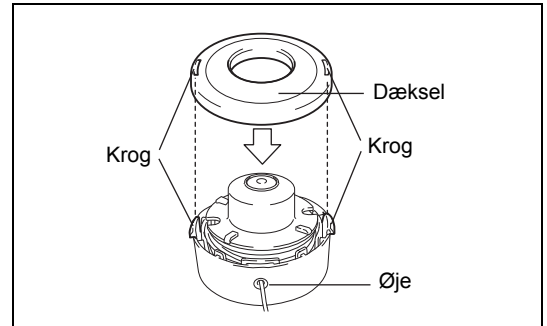
- Stands motoren.
 - Tryk klemmemekanismerne indad for at tage dækslet af, og fjern derefter spolen.
-
- Hægt midten af nylon snoren fast på indsnittet på midten af spolen med den ene ende af snoren cirka 80 mm længere end den anden. Rul derefter begge ender stramt op om spolen i hovedrotationsretningen (venstrehåndsretning angives med LH og højrehåndsretning med RH på siden af spolen).
-
- Rul snorene helt op på spolen på nær cirka 150 mm, og lad midlertidigt enderne være hægtet gennem indsnittet på siden af spolen.



- Før snorene gennem øjernes åbninger, så de kommer ud af huset. Monter skiven, fjederen og spolen i huset.



- Juster krogene på dækslet og huset ind. Tryk derefter dækslet ordentligt ind på huset, sådan at det sidder fast.



Vedligeholdelsesinstruktioner

Vedligeholdelsesinstruktioner

FORSIGTIG: Inden du udfører nogen form for vedligeholdelsesarbejde på buskrydderen, skal du altid slukke for motoren og fjerne tændrørshætten fra tændrøret (se "Kontrol af tændrøret"). Bær altid beskyttelseshandsker.

FORSIGTIG: Fjern aldrig selv rekylstarteren. Hvis du gør det, kan der opstå en ulykke. Denne procedure bør kun udføres af en autoriseret serviceagent.



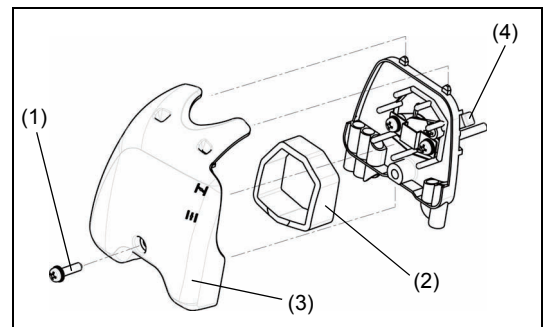
Udfør følgende vedligeholdelsesarbejder jævnligt for at sikre en lang brugslevetid og for at undgå skader på maskinen.

Daglig inspektion og vedligeholdelse

- Kontroller inden brug maskinen for løse skruer eller manglende dele. Vær især opmærksom på tilspændingen af klingens eller nylontrimmerhovedet.
- Kontroller altid inden brug at luftafkølingspassagen og cylinderribberne ikke er tilstoppede. Rengør dem om nødvendigt.
- Udfør dagligt følgende vedligeholdelsesarbejder efter brug:
 - Rengør buskrydderen udvendigt og efterse den for skader.
 - Rens luftfilteret. Rens filteret flere gange om dagen, når du arbejder i ekstremt støvede omgivelser.
 - Kontroller klingens og nylontrimmerhovedet for skader og sørg for, at den/det er ordentligt monteret.
 - Kontroller om der er tilstrækkelig forskel mellem tomgang- og arbejdshastigheder til at sikre, at skæreværktøjet ikke bevæger sig, når motoren er i tomgang (hvis det er nødvendigt, skal du reducere tomgangshastigheden). Hvis skæreværktøjet fortsætter med at rotere under motortomgang, skal du konsultere din nærmeste autoriserede serviceagent.
- Kontroller at I-stop-kontakten (tænd/sluk)/start-stop-kontakten, lås-fra-mekanismen, betjeningshåndtaget og låseknappen alle fungerer korrekt.

Rensning af luftfilteret

- Drej chokerhåndtaget (4) helt over til den lukkede side og hold karburatoren væk fra støv og snavs.
- Fjern skruen (1).
- Fjern luftfilterdækslet (3).
- Fjern svampestykket (2), vask det i lunkent vand og tør det fuldstændigt.
- Efter rensningen skal du sætte luftfilterdækslet (3) tilbage på plads og skrue det fast med en skrue (1).

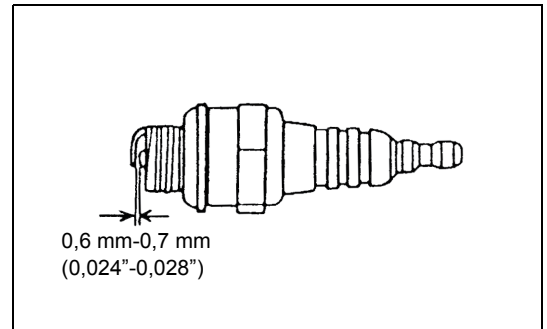


BEMÆRK: Hvis der sidder meget støv eller snavs i luftfilteret, skal du rense det hver dag. Det kan være svært eller umuligt at starte motoren, eller forøge motorens omdrejningshastighed, hvis luftfilteret er tilstoppet.

Kontrol af tændrøret

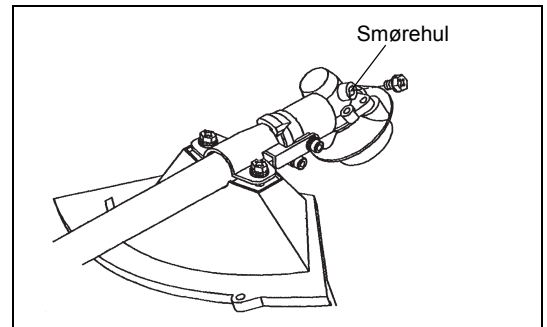
- Anvend kun den medfølgende skiffenøgle til at afmontere og montere tændrøret med.
- Afstanden mellem tændrørets to elektroder bør være på 0,6-0,7 mm. Hvis afstanden er for stor eller for lille, skal du justere den. Hvis tændrøret er sodet til eller beskidt, skal du rense det ordentligt eller udskifte det.

FORSIGTIG: Rør aldrig ved tændrørshætten, mens motoren kører (der er risiko for elektrisk stød med høj spænding).



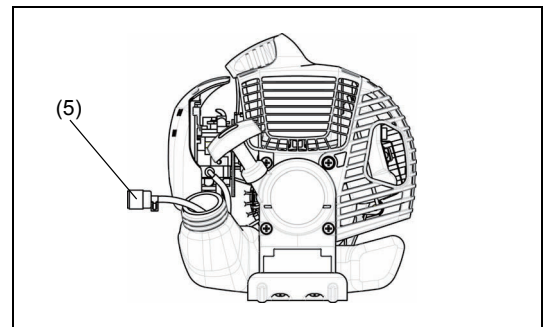
Smøring af gearkassen

- Tilføj smøremiddel (Shell Alvania 2 eller tilsvarende) til gearkassen gennem smørehullet hver 30. time. (Ægte MAKITA-smøremiddel kan anskaffes fra din MAKITA-forhandler.)



Sugehoved i brændstoftanken

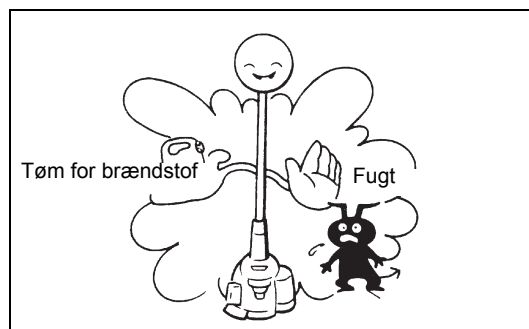
- Brændstoffilteret (5) i sugehovedet anvendes til at tilføre det nødvendige brændstof til karburatoren.
- Efterse (kig på) brændstoffilteret med mellemrum. For at efterse filteret, skal du åbne brændstofdækslet og bruge en trådkrog til at trække sugehovedet ud gennem tankåbningen. Udskift filteret hvis det er blevet hårdt, meget beskidt eller tilstoppet.
- Utilstrækkelig brændstofforførsel kan medføre at den maksimalt tilladte hastighed overstiges. Brændstoffilteret skal derfor udskiftes mindst en gang i kvartalet for at sikre tilfredsstillende brændstofforførsel til karburatoren.



Alt andet vedligeholdelses- eller justeringsarbejde, der ikke er beskrevet i denne brugsanvisning, må kun udføres af autoriserede serviceagenter.

Opbevaring

- Når maskinen skal opbevares i en længere periode, skal du tømme alt brændstof fra brændstoftanken og karburatoren. For at gøre dette skal du blot tømme alt brændstof fra brændstoftanken. Afskaf det udtømte brændstof i henhold til de gældende lokal love.
- Tag tændrøret ud og dryp et par dråber olie i tændrørshullet. Træk derefter forsigtigt i startsnoren sådan at olien dækker motorens indre, og sæt derefter tændrøret på igen.
- Rengør klingen og udvendigt på motoren for støv og snavs og tør dem over med en klud med olie på. Opbevar maskinen på et tørt sted.



Vedligeholdelsesskema

Generelt	Motorenhed, skruer og møtrikker	Efterse (visuelt) for skader og tilspænding Kontroller generel tilstand og sikkerhed
Efter påfyldning af brændstof	Betjeningshåndtag I-stop-kontakt (tænd/sluk)/ start-stop-kontakt	Funktionscheck Funktionscheck
Dagligt	Luftfilter Luftafkølingskanal Skæreværktøj Tomgangshastighed	Skal rengøres Skal rengøres Kontroller for skader og skarphed Eftersyn (skæreværktøjet må ikke bevæge sig)
Ugentligt	Tændrør Lyddæmper	Eftersyn, udskift hvis nødvendigt Efterse og rens åbningen hvis nødvendigt
Kvartalsvis	Sugehoved Brændstoftank	Skal udskiftes Skal rengøres
Afslutningsprocedure	Brændstoftank Karburator	Tøm brændstoftanken Kør motoren indtil den løber tør for brændstof

Fejlfinding

Fejl	System	Observation	Årsag
Motoren starter ikke, eller den er svær at starte	Tænding	Tændingsgnist OK	Fejl i brændstofførslen eller kompressionssystemet, mekanisk fejl
		Ingen tændingsgnist	Betjening af I-stop-kontakten (tænd/sluk)/start-stop-kontakten, fejl i ledningsnettet eller kortslutning, tændrør eller tændrørshætte defekt, fejl i tændmodul
	Brændstofførsel	Brændstoftank fuld	Forkert chokerposition, karburator defekt, brændstofslange bøjet eller blokeret, brændstof beskidt
	Kompression	Ingen kompression ved træk	Cylinderbundpakning defekt, beskadigede krumtapakselpakninger, cylinder eller stempelringe beskadigede eller tændrørspakning ikke tæt
Problemer ved varmstart	Mekanisk fejl	Starter griber ikke fat	Fjeder i starteren brækket, afbrækkede dele i motoren
		Brændstof i tanken. Tændingsgnist OK	Karburator snavset, skal renses
Motor starter, men dør	Brændstofførsel	Brændstof i tanken	Forkert tomgangsjustering, karburator snavset
Manglende ydeevne	Flere systemer kan være samtidigt påvirkede	Dårlig motortomgang	Brændstoftankudluftning defekt, brændstofslangen afbrudt, kabel eller I-stop-kontakten (tænd/sluk)/start-stop-kontakten defekt
			Luftfilter snavset, karburator snavset, lyddæmper tilstoppet, udstødningskanal i cylinderen tilstoppet

Σας ευχαριστούμε που αγοράσατε αυτό το θαμνοκοπτικό/χλοοκοπτικό της ΜΑΚΙΤΑ. Τα θαμνοκοπτικά/χλοοκοπτικά της ΜΑΚΙΤΑ είναι προϊόντα πολλών ετών γνώσης, εμπειρίας και ενός λεπτομερούς προγράμματος ανάπτυξης. Παρακαλώ διαβάστε αυτό το βιβλιário προσεκτικά για να μπορέσετε να αποκτήσετε την καλύτερη δυνατή απόδοση και τα εξαιρετικά αποτελέσματα που μπορεί να σας προσφέρει το θαμνοκοπτικό/χλοοκοπτικό σας της ΜΑΚΙΤΑ.



Πίνακας περιεχομένων	Σελίδα
Σύμβολα	146
Οδηγίες ασφαλείας.....	147
Τεχνικά στοιχεία	151
Ονόματα εξαρτημάτων	152
Στερέωση του χερουλιού.....	153
Στερέωση του προστατευτικού.....	154
Στερέωση της λάμας κοπής/νάιλον κεφαλής κοπής	155
Καύσιμο/Ανεφοδιασμός.....	156
Σωστός χειρισμός.....	157
Σημαντικά σημεία λειτουργίας/σταμάτημα του θαμνοκοπτικού/χλοοκοπτικού	157
Ακόνισμα του εργαλείου κοπής.....	159
Οδηγίες σέρβις.....	161
Αποθήκευση.....	163

Σύμβολα

Χρειάζεται να δώσετε προσοχή στα παρακάτω σύμβολα όταν διαβάζετε το εγχειρίδιο οδηγιών.

	Διαβάστε το εγχειρίδιο οδηγιών		Φοράτε προστατευτικά για τα μάτια και τα αφτιά (για το χλοοκοπτικό μόνο)
	Δώστε ιδιαίτερη φροντίδα και προσοχή		Φοράτε κράνος και προστατευτικά για τα μάτια και τα αφτιά (για το θαμνοκοπτικό μόνο)
	Απαγορεύεται		Μην χρησιμοποιείτε μεταλλικές λάμες (για το χλοοκοπτικό μόνο)
	Κρατάτε απόσταση		Μέγιστη επιτρεπτή ταχύτητα του εργαλείου
	Κίνδυνος εκτίναξης αντικειμένων		Θερμές επιφάνειες - Εγκαύματα στα δάχτυλα και στα χέρια
	Απαγορεύεται το κάπνισμα		Μείγμα καυσίμου και λαδιού
	Όχι γυμνές φλόγες		Κινητήρας-Χειροκίνητη εκκίνηση
	Πρέπει να φοριούνται προστατευτικά γάντια		Διακοπή έκτακτης ανάγκης
	Οπισθολάκτισμα		Πρώτες βοήθειες
	Κρατήστε μακριά από την περιοχή εργασίας όλα τα άτομα και τα ζώα		ΕΝΕΡΓΟΠΟΙΗΣΗ/ΕΚΚΙΝΗΣΗ
	Να φοράτε ανθεκτικές μπότες με αντιολισθητικές σόλες. Συνίστανται οι μπότες ασφαλείας με ενίσχυση στα άκρα των δακτύλων.		ΑΠΕΝΕΡΓΟΠΟΙΗΣΗ/ΣΤΑΜΑΤΗΜΑ
			ΕΚΚΙΝΗΣΗ

Οδηγίες ασφαλείας

Γενικές οδηγίες

- Για την διασφάλιση της σωστής λειτουργίας, φροντίστε να διαβάσετε και να κατανοήσετε πλήρως αυτό το εγχειρίδιο οδηγιών για να εξοικειωθείτε με τη χρήση του θαμνοκοπτικού/χλοοκοπτικού. Η χρήση της συσκευής χωρίς την πλήρη κατανόηση της σωστής λειτουργίας της μπορεί να προκαλέσει το σοβαρό τραυματισμό σε εσάς όσο και στους άλλους.
- Να δανείζετε το θαμνοκοπτικό/χλοοκοπτικό μόνο σε άτομα που έχουν αποδεδειγμένη εμπειρία στα θαμνοκοπτικά/χλοοκοπτικά. Πάντοτε να τους δανείζετε ταυτόχρονα και αυτό το εγχειρίδιο οδηγιών.
- Εάν χειρίζεστε για πρώτη φορά ένα μηχανοκίνητο κόφτη, συμβουλευτείτε τον μεταπωλητή σας για τις βασικές οδηγίες.
- Στα παιδιά και στα νεαρά άτομα κάτω των 18 ετών δεν θα πρέπει να τους επιτρέπεται η χρήση του θαμνοκοπτικού/χλοοκοπτικού. Τα άτομα με ηλικία πάνω από 16 ετών θα μπορούσαν να χρησιμοποιήσουν την συσκευή για εκπαιδευτικούς σκοπούς, μόνο κάτω από την επίβλεψη ενός έμπειρου εκπαιδευτή.
- Χρησιμοποιείτε τα θαμνοκοπτικά/χλοοκοπτικά με την μεγαλύτερη δυνατή φροντίδα και προσοχή.
- Να χειρίζεστε το θαμνοκοπτικό/χλοοκοπτικό μόνο όταν βρίσκεστε σε καλή φυσική κατάσταση. Εκτελέστε όλες τις εργασίες με ηρεμία και προσοχή. Οι χρήστες είναι υπεύθυνοι για αυτούς που βρίσκονται γύρω τους.
- Ποτέ να μην χρησιμοποιήσετε το θαμνοκοπτικό/χλοοκοπτικό μετά από την κατανάλωση αλκοόλ ή φαρμάκων ή εάν αισθάνεστε κουρασμένοι ή ασθενείς.

ΠΡΟΕΙΔΟΠΟΙΗΣΗ: Αυτό το μηχάνημα παράγει ένα ηλεκτρομαγνητικό πεδίο κατά τη λειτουργία. Αυτό το πεδίο μπορεί υπό ορισμένες συνθήκες να προκαλέσει παρεμβολές σε ενεργητικά ή παθητικά ιατρικά εμφυτεύματα. Για να μειωθεί ο κίνδυνος σοβαρού ή θανάσιμου τραυματισμού, συνιστούμε στα άτομα με ιατρικά εμφυτεύματα να συμβουλευθούν το γιατρό τους και τον κατασκευαστή του ιατρικού εμφυτεύματος πριν τη χρήση του μηχανήματος.

Προοριζόμενη χρήση της συσκευής

- Το θαμνοκοπτικό/χλοοκοπτικό προορίζεται για την κοπή γρασιδιού, χόρτων, θάμνων, και άλλης παρόμοιας χαμηλής βλάστησης και δεν θα πρέπει να χρησιμοποιείται για οποιαδήποτε άλλους σκοπούς όπως κοπή άκρων ή φρακτών επειδή μπορεί να προκαλέσει τραυματισμό.

Προσωπικός προστατευτικός εξοπλισμός

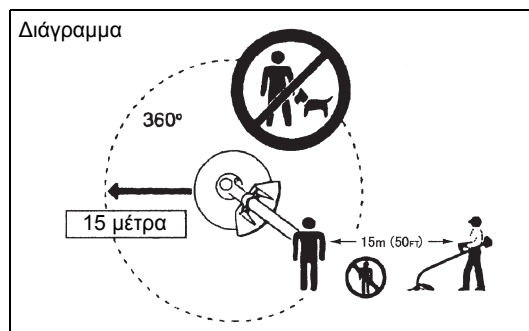
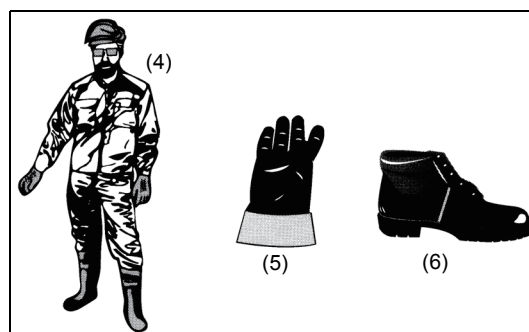
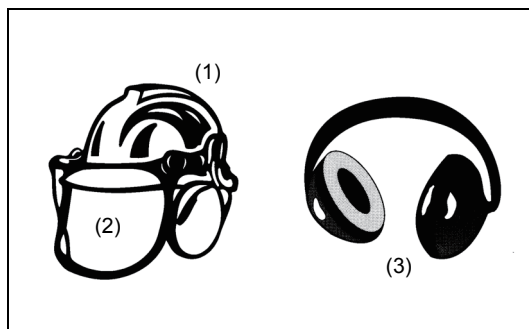
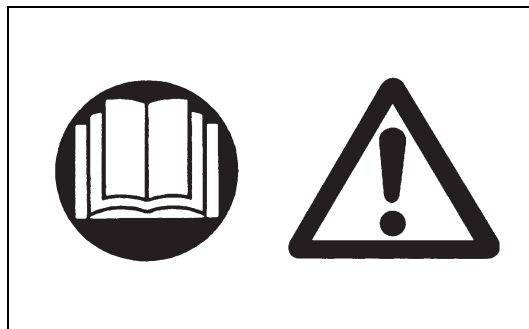
- Πάντοτε να φοράτε ρούχα τα οποία είναι λειτουργικά και κατάλληλα για την εργασία σας, δηλαδή εφαρμοστά αλλά όχι τόσο στενά ώστε να δυσχεραίνουν την κίνησή σας. Μην φοράτε κοσμήματα ή ρούχα τα οποία μπορούν να μπλεχτούν μέσα στους θάμνους ή στους βάλτους.
- Για την προστασία του τραυματισμού της κεφαλής, των ματιών, ή των ποδιών καθώς επίσης και την προστασία της ακοής κατά την λειτουργία, θα πρέπει να χρησιμοποιηθεί ο παρακάτω προστατευτικός εξοπλισμός και ο προστατευτικός ρουχισμός κατά την χρήση του θαμνοκοπτικού/χλοοκοπτικού.
- Πάντοτε να φοράτε κράνος όπου υπάρχει ο κίνδυνος της πτώσης αντικειμένων. Το κράνος (1) θα πρέπει να ελέγχεται για την ύπαρξη ζημιάς κατά τακτικά χρονικά διαστήματα και θα πρέπει να αντικατασταθεί τουλάχιστον μετά από 5 χρόνια. Χρησιμοποιείτε μόνο εγκεκριμένα προστατευτικά κράνη.
- Η προσωπίδα (2) του κράνου (ή εναλλακτικά προστατευτικά γυαλιά) προστατεύει το πρόσωπο από τα θραύσματα και τις πέτρες που ίπτανται. Κατά την χρήση του θαμνοκοπτικού/χλοοκοπτικού, πάντοτε να φοράτε προστατευτικά γυαλιά ή προσωπίδα για την αποφυγή του τραυματισμού των ματιών.
- Φοράτε τον απαραίτητο εξοπλισμό προστασίας έναντι στο θόρυβο για την αποφυγή πρόκλησης βλάβης στην ακοή (προστατευτικά επικάλυμματα αυτιών (3), ωτοασπίδες κτλ.).
- Η φόρμα εργασίας (4) προστατεύει από τις πέτρες και θραύσματα που ίπτανται. Σας συστήνουμε ανεπιφύλακτα την χρήση της φόρμας εργασίας.
- Ειδικά γάντια (5) φτιαγμένα από παχύ δέρμα αποτελούν μέρος του συνιστώμενου εξοπλισμού και θα πρέπει πάντοτε να φοριούνται κατά την χρήση του θαμνοκοπτικού/χλοοκοπτικού.
- Κατά την χρήση του θαμνοκοπτικού/χλοοκοπτικού, πάντοτε να φοράτε ανθεκτικά παπούτσια (6) με αντιολισθητικές σόλες. Τέτοια παπούτσια προστατεύουν έναντι τραυματισμών και διασφαλίζουν το καλό πάτημα.

Εναπομένοντες κίνδυνοι

- Ακόμα και όταν το μηχάνημα χρησιμοποιείται όπως περιγράφεται, δεν είναι δυνατόν να εξαλειφθούν όλοι οι εναπομένοντες παράγοντες κινδύνου. Οι παρακάτω κίνδυνοι ενδέχεται να προκύψουν αναφορικά με την κατασκευή και το σχεδιασμό του μηχανήματος:
 1. Βλάβη στους πνεύμονες εάν δεν φοριέται μια αποτελεσματική μάσκα για τη σκόνη.
 2. Βλάβη στην ακοή εάν δεν φοριέται ένα αποτελεσματικό μέσο προστασίας ακοής.
 3. Βλάβη για την υγεία λόγω εκπομπής κραδασμών, εάν το μηχάνημα χρησιμοποιείται για μεγαλύτερο χρονικό διάστημα ή αν δεν γίνεται σωστός χειρισμός και κατάλληλη συντήρηση.

Εκκίνηση του θαμνοκοπτικού

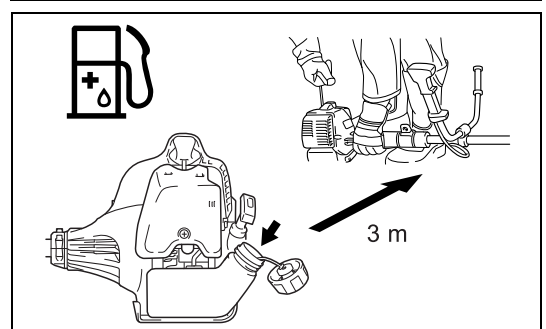
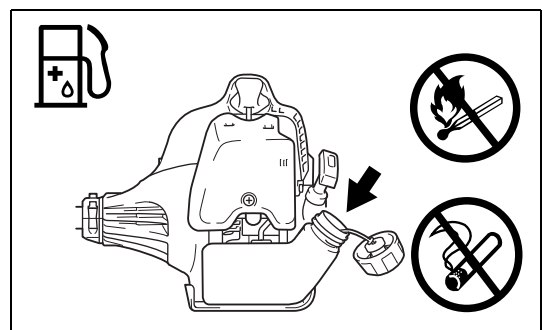
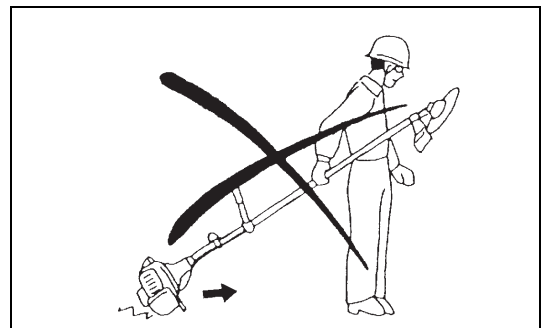
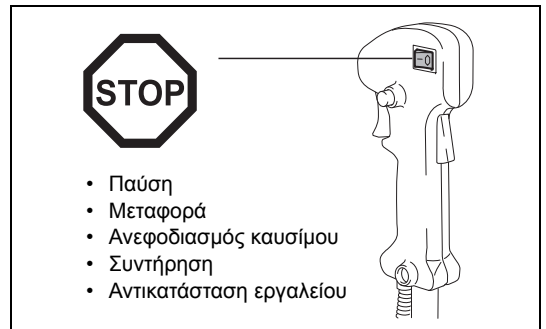
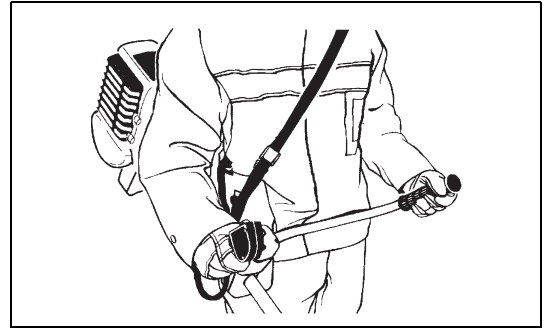
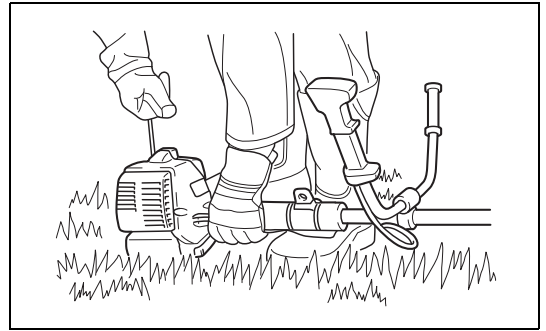
- Φροντίστε να μην υπάρχουν παιδιά ή άλλα άτομα μέσα σε μια απόσταση εργασίας 15 μέτρων (50 πόδια), επίσης δώστε προσοχή στα οποιαδήποτε ζώα μέσα στην περιοχή εργασίας.
- Πριν από τη χρήση ελέγξτε ότι το θαμνοκοπτικό/χλοοκοπτικό είναι ασφαλές για εργασία:
Ελέγξτε ότι το εργαλείο κοπής είναι ασφαλισμένο, ότι μπορεί να γίνει εύκολα ο χειρισμός του μοχλού χειρισμού και ότι το κλειδί του μοχλού χειρισμού λειτουργεί σωστά.
- Απαγορεύεται η περιστροφή του εργαλείου κοπής κατά το ρελαντί. Επικοινωνήστε με το μεταπωλητή σας εάν νομίζετε ότι η συσκευή χρειάζεται ρύθμιση. Ελέγξτε για να βεβαιωθείτε ότι οι λαβές είναι καθαρές και στεγνές και ότι ο διακόπτης εκκίνησης/σταματήματος λειτουργεί σωστά.



- Ξεκινήστε το θαμνοκοπτικό/χλοοκοπτικό σύμφωνα μόνο με τις οδηγίες. Μην χρησιμοποιήσετε οποιαδήποτε άλλη μέθοδο για να ξεκινήσετε τον κινητήρα!
- Χρησιμοποιήστε το θαμνοκοπτικό/χλοοκοπτικό και τα εργαλεία μόνο για τους καθορισμένους σκοπούς.
- Ξεκινήστε τον κινητήρα του θαμνοκοπτικού/χλοοκοπτικού μόνο αφού η συσκευή έχει πλήρως συναρμολογηθεί. Μην λειτουργήσετε τη συσκευή έως ότου συνδεθούν όλα τα κατάλληλα εξαρτήματα!
- Πριν το ξεκίνημα, βεβαιωθείτε ότι το εργαλείο κοπής δεν βρίσκεται σε επαφή με σκληρά αντικείμενα όπως κλαδιά, πέτρες κτλ επειδή το εργαλείο κοπής θα περιστραφεί κατά την εκκίνηση.
- Σβήστε τον κινητήρα αμέσως εάν συμβεί ο οποιοσδήποτε τύπος προβλήματος στον κινητήρα.
- Εάν το εργαλείο κοπής χτυπήσει πέτρες ή άλλα σκληρά αντικείμενα, αμέσως κλείστε τον κινητήρα και επιθεωρήστε το εργαλείο κοπής.
- Επιθεωρείτε το εργαλείο κοπής για ζημιά ανά τακτά και σύντομα διαστήματα (επιθεωρήστε για λεπτές ρωγμές χρησιμοποιώντας το τεστ κρούσης).
- Χρησιμοποιήστε το θαμνοκοπτικό/χλοοκοπτικό μόνο αφού φορέσετε και ρυθμίσετε το λουρί του ώμου στο σωστό μήκος. Το λουρί του ώμου πρέπει να ρυθμίζεται στο μέγεθος του χρήστη και να στερεώνεται για την αποφυγή της κόπωσης κατά τη χρήση του μηχανήματος. Ποτέ να μην κρατάτε τον κόφτη με το ένα χέρι κατά την χρήση.
- Κατά την χρήση, πάντοτε να κρατάτε το θαμνοκοπτικό/χλοοκοπτικό και με τα δύο σας χέρια.
Πάντοτε να εξασφαλίζετε ότι έχετε ένα ασφαλές πάτημα.
- Να χειρίζεστε το θαμνοκοπτικό/χλοοκοπτικό με τέτοιο τρόπο ώστε να αποφεύγετε την εισπνοή των καυσαερίων. Ποτέ να μην λειτουργείτε τον κινητήρα σε ένα κλειστό χώρο όπως μέσα σε ένα δωμάτιο (υπάρχει κίνδυνος δηλητηρίασης από το αέριο). Το μονοξείδιο του άνθρακα είναι ένα άοσμο αέριο.
- Πάντοτε να κλείνετε τον κινητήρα όταν ξεκουράζεστε ή αν σκοπεύετε να αφήσετε το θαμνοκοπτικό/χλοοκοπτικό χωρίς επιτήρηση και τοποθετήστε το σε μια ασφαλή θέση για την αποφυγή της πρόκλησης τραυματισμού σε άλλα άτομα και ζημιάς στη συσκευή.
- Ποτέ να μην τοποθετείτε το θαμνοκοπτικό/χλοοκοπτικό πάνω σε ξερά χόρτα ή πάνω σε άλλα εύφλεκτα υλικά.
- Το εργαλείο κοπής θα πρέπει πάντοτε να είναι εφοδιασμένο με τον κατάλληλο προφυλακτήρα.
Ποτέ να μην λειτουργήσετε τον κόφτη χωρίς αυτόν τον προφυλακτήρα!
- Όλα τα προστατευτικά συγκροτήματα και προφυλακτήρες που παρέχονται με αυτή τη συσκευή πρέπει να χρησιμοποιούνται κατά τη λειτουργία.
- Ποτέ να μην θέσετε σε λειτουργία τον κινητήρα εάν είναι ελαττωματικός ο σιγαστήρας της εξάτμισης.
- Κλείστε τον κινητήρα κατά τη μεταφορά.
- Κατά τη μεταφορά της συσκευής, πάντοτε να τοποθετείτε το κάλυμμα στη λάμα κοπής.
- Διασφαλίστε ότι το θαμνοκοπτικό/χλοοκοπτικό βρίσκεται σε ασφαλή θέση κατά τη μεταφορά για την αποφυγή της διαρροής καυσίμου.
- Κατά τη μεταφορά του θαμνοκοπτικού/χλοοκοπτικού, διασφαλίστε ότι το ρεζερβουάρ καυσίμου είναι εντελώς άδειο.
- Κατά το ξεφόρτωμα του θαμνοκοπτικού/χλοοκοπτικού από ένα φορτηγό ή παρόμοιο όχημα, ποτέ να μην ρίξετε τον κινητήρα στο έδαφος, επειδή αν το κάνετε αυτό ενδέχεται να πάθει ζημιά το ρεζερβουάρ καυσίμου.
- Εκτός από την περίπτωση έκτακτης ανάγκης, ποτέ να μην ρίξετε ή να πετάξετε το θαμνοκοπτικό/χλοοκοπτικό στο έδαφος επειδή αν το κάνετε αυτό μπορεί να προκληθεί σοβαρή ζημιά στο θαμνοκοπτικό/χλοοκοπτικό.
- Πάντοτε να σηκώνετε ολόκληρη τη συσκευή από το έδαφος όταν τη μετακινείτε. Το σύστημα της συσκευής πάνω στο ρεζερβουάρ καυσίμου είναι εξαιρετικά επικίνδυνο και μπορεί να οδηγήσει στη διαρροή καυσίμου, η οποία μπορεί να προκαλέσει φωτιά.
- Εάν η συσκευή χτυπήσει δυνατά κατά την πτώση, ελέγξτε την κατάσταση πριν συνεχίσετε την εργασία. Ελέγξτε το σύστημα καυσίμου για ύπαρξη διαρροής καυσίμου αλλά και τα χειριστήρια και τις διατάξεις ασφαλείας για ύπαρξη δυσλειτουργίας. Εάν έχετε αμφιβολίες, επικοινωνήστε με το εξουσιοδοτημένο μας κέντρο σέρβις για επιθεώρηση και επισκευή.

Ανεφοδιασμός καυσίμου

- Κατά τον ανεφοδιασμό καυσίμου σβήστε τον κινητήρα, να είστε μακριά από τις γυμνές φλόγες και να μην καπνίζετε.
- Διασφαλίστε ότι προϊόντα με μεταλλικό λάδι δεν έρχονται σε επαφή με το δέρμα. Μην εισπνέετε τον ατμό του καυσίμου. Πάντοτε να φοράτε προστατευτικά γάντια κατά τον ανεφοδιασμό του καυσίμου. Αλλάξτε και καθαρίζετε τον προστατευτικό ρουχισμό σε τακτικά διαστήματα.
- Για την προστασία της ρύπανσης του εδάφους (προστασία του περιβάλλοντος), διασφαλίστε ότι δεν θα ρίξετε κάτω στο έδαφος το καύσιμο ή το λάδι. Εάν ρίξετε κάτω το καύσιμο, καθαρίστε αμέσως το θαμνοκοπτικό/χλοοκοπτικό.
- Φροντίστε να μην έρθει σε επαφή το καύσιμο με το ρουχισμό σας. Εάν όντως έρθει σε επαφή το καύσιμο με το ρουχισμό σας, αλλάξτε αμέσως τα ρούχα σας για την αποτροπή της φωτιάς.
- Επιθεωρείστε την τάπα του καυσίμου ανά τακτά διαστήματα για να διασφαλίσετε ότι μπορεί να στερεωθεί σταθερά και ότι δεν παρουσιάζει διαρροή.
- Προσεκτικά σφίξτε την τάπα του ρεζερβουάρ καυσίμου. Όταν ολοκληρωθεί ο ανεφοδιασμός καυσίμου, μετακινήστε σε μια θέση που βρίσκεται τουλάχιστον 3 μέτρα μακριά από το σημείο που ανεφοδιάσατε πριν θέσετε σε λειτουργία τον κινητήρα.



- Ποτέ να μην ανεφοδιάσετε σε ένα κλειστό χώρο όπως για παράδειγμα μέσα σε ένα δωμάτιο. Εάν τον κάνετε αυτό μπορεί να δημιουργηθεί έκρηξη εξαιτίας της συσσώρευσης των ατμών του καυσίμου στο επίπεδο του εδάφους.
- Να μεταφέρετε και να αποθηκεύετε το καύσιμο σε κατάλληλα δοχεία. Φροντίστε το αποθηκευμένο καύσιμο να μην είναι προσβάσιμο στα παιδιά.

Μέθοδος λειτουργίας

- Χρησιμοποιήστε το θαμνοκοπτικό/χλοοκοπτικό κάτω από καλό φωτισμό και ορατότητα. Κατά την διάρκεια της χειμερινής εποχής, προσέξτε τις γλιστερές ή βρεγμένες περιοχές όπως αυτές που είναι καλυμμένες από πάγο ή χιόνι (κίνδυνος γλιστρήματος). Πάντοτε να εξασφαλίζετε ότι έχετε ένα ασφαλές πάτημα.
- Ποτέ μην κόβετε επάνω από το ύψος της μέσης σας.
- Ποτέ να μην είστε ανεβασμένος σε μια σκάλα καθώς χρησιμοποιείτε το θαμνοκοπτικό/χλοοκοπτικό.
- Ποτέ να μην σκαρφαλώνετε πάνω σε δέντρα καθώς χρησιμοποιείτε το θαμνοκοπτικό/χλοοκοπτικό.
- Ποτέ να μην εργάζεστε πάνω σε ασταθείς επιφάνειες.
- Αφαιρέστε την άμμο, τις πέτρες, τα καρφιά κτλ που βρίσκονται μέσα στο εύρος της περιοχής εργασίας. Τα ξένα αντικείμενα μπορεί να προκαλέσουν ζημιά στο εργαλείο κοπής και να δημιουργήσουν επικίνδυνα οπισθολακτίσματα.
- Πριν ξεκινήσετε το κόψιμο, διασφαλίστε ότι το εργαλείο κοπής έχει αποκτήσει την πλήρη ταχύτητα εργασίας.
- Αν χόρτο ή κλαδιά πιαστούν μεταξύ του εργαλείου κοπής και του προφυλακτήρα, πάντα να σταματάτε τον κινητήρα πριν από τον καθαρισμό. Διαφορετικά η ακούσια περιστροφή της λάμας μπορεί να προκαλέσει σοβαρό τραυματισμό.
- Ξεκουραστείτε για να μην χάσετε τον έλεγχο λόγω κόπωσης. Σας συνιστούμε να κάνετε 10 έως 20 λεπτά διάλειμμα κάθε ώρα.

Οπισθολακτίσμα (κλώσημα λάμας)

- Κατά την λειτουργία του θαμνοκοπτικού, μπορούν να συμβούν ανεξέλεγκτα οπισθολακτίσματα.
- Τα οπισθολακτίσματα συμβαίνουν συχνά όταν προσπαθείτε να κόψετε με το τμήμα της λάμας των 12 έως 2 "ωρών".
- Ποτέ να μην χρησιμοποιήσετε το τμήμα της λάμας των 12 έως 2 "ωρών" του θαμνοκοπτικού.
- Ποτέ να μην χρησιμοποιήσετε αυτό το τμήμα του θαμνοκοπτικού σε συμπαγή αντικείμενα, όπως θάμνους ή δέντρα κτλ, τα οποία έχουν μια διάμετρο μεγαλύτερη από 3 cm. Εάν το κάνετε αυτό θα προκληθεί η εκτροπή του θαμνοκοπτικού με μεγάλη δύναμη, ή οποία είναι υπερβολικά επικίνδυνα και μπορεί να προκαλέσει τραυματισμό.

Αποτροπή οπισθολακτίσματος

Για την αποφυγή του οπισθολακτίσματος, θυμηθείτε τα παρακάτω:

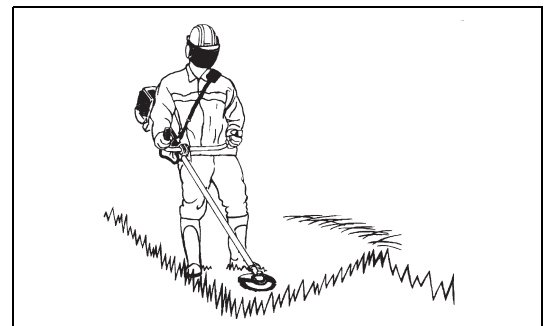
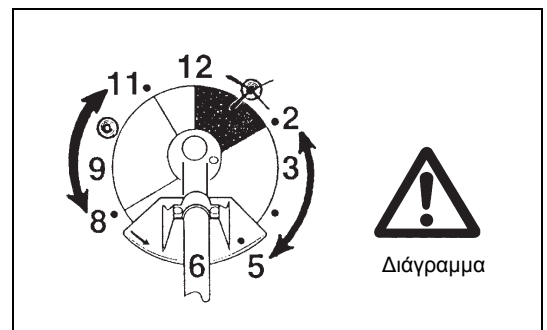
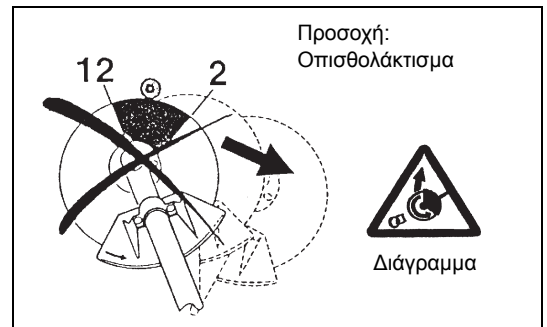
- Η χρήση του του τμήματος της λάμας των 12 έως 2 "ωρών" είναι εξαιρετικά επικίνδυνη, ειδικότερα όταν χρησιμοποιείτε μεταλλικά εργαλεία κοπής.
- Οι εργασίες κοπής με τη χρήση του τμήματος της λάμας των 11 έως 12 "ωρών" και των 2 έως 5 "ωρών", πρέπει να εκτελούνται από εκπαιδευμένους και έμπειρους χειριστές, και μόνο με δική τους ευθύνη. Το βέλτιστο τμήμα κοπής για εύκολο κόψιμο με σχεδόν κανένα οπισθολακτίσμα είναι το τμήμα της λάμας των 8 έως 11 "ωρών".

Εργαλεία κοπής

- Χρησιμοποιήστε ένα κατάλληλο εργαλείο κοπής για την εργασία που επιτελείτε. Οι νάιλον κεφαλές κοπής (κεφαλές χλοοκοπτικού) είναι κατάλληλες για κοπή γραζόν. Οι μεταλλικές λάμες είναι κατάλληλες για την κοπή ζιζανίων, υψηλών χόρτων, θάμνων, χαμηλής βλάστησης, αλσών, και παρόμοιων. Ποτέ μην χρησιμοποιείτε άλλες λάμες, συμπεριλαμβανομένων μεταλλικών περιστρεφόμενων αλυσίδων πολλών τεμαχίων και αρθρωτών λαμών. Διαφορετικά μπορεί να προκληθεί σοβαρός τραυματισμός.
- Όταν χρησιμοποιείτε μεταλλικές λάμες, να αποφεύγετε το οπισθολακτίσμα και πάντα να είστε προετοιμασμένοι για ένα τυχαίο οπισθολακτίσμα. Δείτε την ενότητα "Οπισθολακτίσμα" και "Αποτροπή οπισθολακτίσματος".

Οδηγίες συντήρησης

- Επισκευάζετε τη συσκευή σας στο δικό μας εξουσιοδοτημένο κέντρο σέρβις, χρησιμοποιώντας πάντοτε αυθεντικά ανταλλακτικά. Η λανθασμένη επισκευή και η φτωχή συντήρηση μπορεί να μειώσει την διάρκεια της ωφέλιμης ζωής της συσκευής και να αυξήσει τον κίνδυνο ατυχημάτων.
- Πάντοτε να ελέγχετε την κατάσταση του κόφτη, ιδιαίτερα τις συσκευές προστασίας του κόφτη και το λουρί του ώμου, πριν από την έναρξη της εργασίας. Ιδιαίτερη προσοχή πρέπει επίσης να δίνεται στις λάμες κοπής, οι οποίες πρέπει να είναι σωστά ακονισμένες.
- Κλείστε τον κινητήρα και αφαιρέστε το σύνδεσμο του μπουζιού κατά την αντικατάσταση ή το ακόνισμα των εργαλείων κοπής, και επίσης κατά τον καθαρισμό του κόφτη ή του εργαλείου κοπής.



Ποτέ να μην ισιώνετε ή να συγκολλάτε κατεστραμμένα εργαλεία κοπής.

- Να λειτουργείτε το θαμνοκοπτικό/χλοοκοπτικό με όσο το δυνατό λιγότερο θόρυβο και ρύπανση. Ιδιαίτερα, ελέγξτε εάν το καρμπιρατέρ είναι ρυθμισμένο σωστά.
- Καθαρίστε το θαμνοκοπτικό/χλοοκοπτικό ανά τακτά διαστήματα και ελέγξτε ότι όλες οι βίδες και τα παξιμάδια είναι καλά σφιγμένα.
- Ποτέ να μην κάνετε τη συντήρηση ή την αποθήκευση του θαμνοκοπτικού/χλοοκοπτικού κοντά σε γυμνές φλόγες.
- Πάντοτε να αποθηκεύετε το θαμνοκοπτικό/χλοοκοπτικό σε κλειδωμένα δωμάτια με άδειο το ρεζερβουάρ καυσίμου.
- Κατά το καθάρισμα, τη συντήρηση και την αποθήκευση της συσκευής, πάντοτε να συνδέετε το κάλυμμα στην λάμα κοπής.

Τηρήστε τις σχετικές οδηγίες αποτροπής ατυχήματος που εκδίδεται από τις σχετικές εμπορικές ενώσεις και από τις ασφαλιστικές εταιρίες.

Ποτέ να μην εκτελέσετε οποιεσδήποτε τροποποιήσεις στο θαμνοκοπτικό/χλοοκοπτικό, επειδή εάν το κάνετε αυτό θέτετε σε κίνδυνο την ασφάλειά σας.

Η εκτέλεση των εργασιών συντήρησης και επισκευής από το χρήστη περιορίζεται τις δραστηριότητες που περιγράφονται στο εγχειρίδιο οδηγιών. Όλες οι άλλες εργασίες πρέπει να γίνονται από ένα εξουσιοδοτημένο αντιπρόσωπο του σέρβις. Χρησιμοποιήστε μόνο τα αυθεντικά ανταλλακτικά και αξεσουάρ που διατίθενται και παρέχονται από τη ΜΑΚΙΤΑ.

Η χρήση μη εγκεκριμένων αξεσουάρ και εργαλείων θα προκαλέσει τον αυξημένο κίνδυνο ατυχημάτων.

Η ΜΑΚΙΤΑ δεν θα δεχθεί την οποιαδήποτε ευθύνη για ατυχήματα ή φθορά που προκλήθηκε από τη χρήση μη εγκεκριμένων εργαλείων κοπής, συσκευών στερέωσης των εργαλείων κοπής ή αξεσουάρ.

Πρώτες βοήθειες

Για την περίπτωση ατυχήματος, φροντίστε να υπάρχει διαθέσιμο ένα κουτί πρώτων βοηθειών στην περιοχή όπου εκτελούνται οι εργασίες κοπής. Αντικαταστήστε αμέσως το οποιοδήποτε αντικείμενο που πάρθηκε από το κουτί των πρώτων βοηθειών.

Όταν ζητάτε βοήθεια, παρακαλώ παράσχετε τις ακόλουθες πληροφορίες:

- Τόπος του ατυχήματος
- Τι συνέβη
- Αριθμός τραυματισμένων ατόμων
- Είδος των τραυμάτων
- Το όνομά σας

Δόνηση

- Τα άτομα με κακό κυκλοφορικό σύστημα τα οποία εκτίθενται σε υπερβολικούς κραδασμούς μπορεί να παρουσιάσουν βλάβη στα αιμοφόρα αγγεία ή στο νευρικό σύστημα. Οι κραδασμοί ενδέχεται να προκαλέσουν τα ακόλουθα συμπτώματα στα δάχτυλα, τα χέρια ή τους καρπούς: "Κοίμηση" (μούδιασμα), μυρμηγκιασμα, πόνο, σουβλιές, αλλαγή χρώματος του δέρματος. Εάν έχετε οποιαδήποτε από αυτά τα συμπτώματα, δείτε ένα γιατρό!
- Για να περιορίσετε τον κίνδυνο της "ασθένειας των άσπρων δακτύλων", διατηρείτε τα χέρια σας ζεστά κατά τη λειτουργία και διατηρείτε σε καλή κατάσταση τον εξοπλισμό και τα προσαρτήματα.



Για τις ευρωπαϊκές χώρες μόνο

ΕΚ – Δήλωση συμμόρφωσης

Η Εταιρία Makita ως υπεύθυνος κατασκευαστής, δηλώνει ότι το παρακάτω μηχάνημα(-τα) της Makita:

Όνομασία μηχανήματος: Θαμνοκοπτικό/Χλοοκοπτικό

Αρ. Μοντέλου/Τύπος: EM2600U, EM2600L

Προδιαγραφές: δείτε τον πίνακα με τα "ΤΕΧΝΙΚΑ ΣΤΟΙΧΕΙΑ"

αποτελούν παραγωγή σε σειρά

Συμμορφώνονται με τις ακόλουθες Ευρωπαϊκές Οδηγίες:

2000/14/EK, 2006/42/EK, 2004/108/EK

Και κατασκευάζονται σύμφωνα με τα παρακάτω πρότυπα ή τυποποιημένα έγγραφα:

EN ISO 11806-1, EN ISO 14982

Τα τεχνικά έγγραφα διατηρούνται από το:

Makita International Europe Ltd., Technical Department,

Michigan Drive, Tongwell, Milton Keynes, Bucks MK15 8JD, England

Η διαδικασία εκτίμησης συμμόρφωσης που απαιτείται από την Οδηγία 2000/14/EK εκτελέστηκε σύμφωνα με το Παράρτημα V.

Μετρημένο Επίπεδο Ηχητικής Ισχύος (ως χλοοκοπτικό): 109,77 dB

Μετρημένο Επίπεδο Ηχητικής Ισχύος (ως θαμνοκοπτικό): 107,29 dB

Εγγυημένο Επίπεδο Ηχητικής Ισχύος: 112 dB

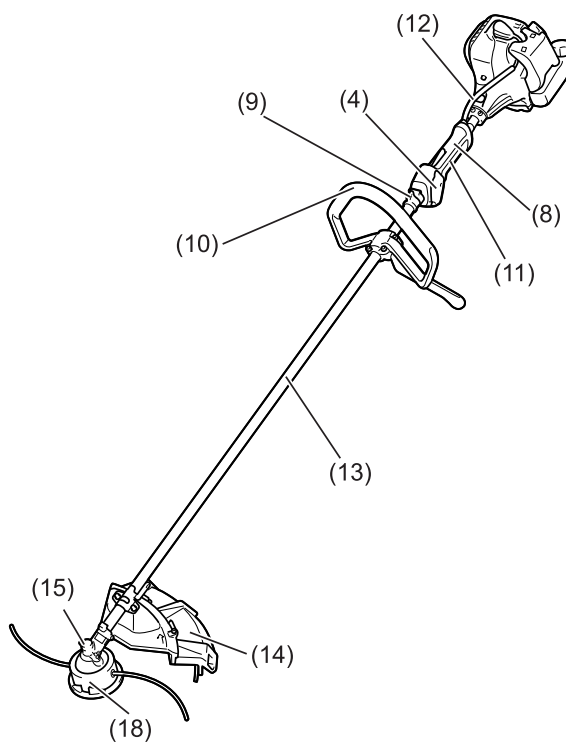
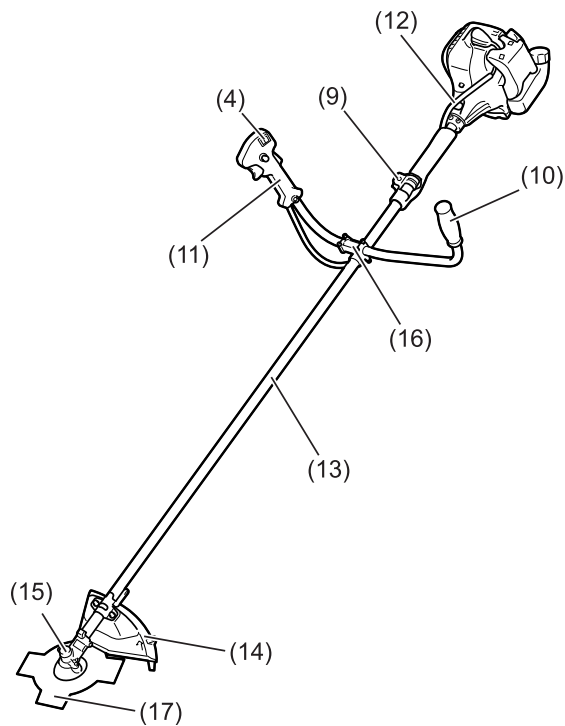
15. 4. 2013

Tomoyasu Kato
Διευθυντής
Makita Corporation
3-11-8, Sumiyoshi-cho,
Anjo, Aichi, JAPAN

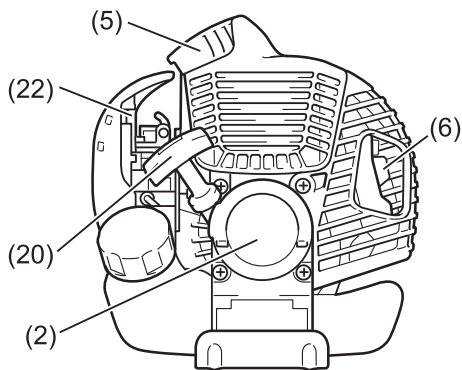
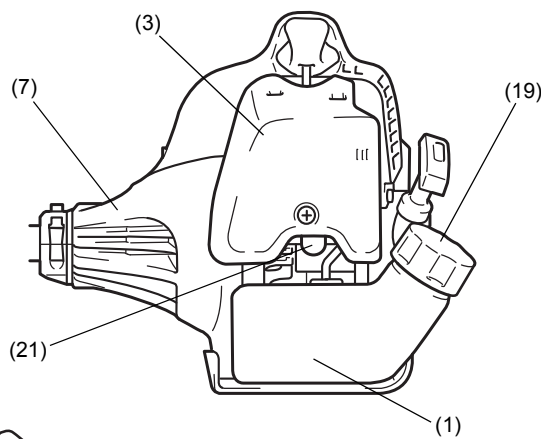
Τεχνικά στοιχεία

Μοντέλο		EM2600U	EM2600L
		Χερούλι σε σχήμα U	Χερούλι σε σχήμα βρόχου
Διαστάσεις: μήκος x πλάτος x ύψος (χωρίς την λάμα κοπής)		1.770 x 610 x 410 mm	1.770 x 330 x 185 mm
Καθαρό βάρος		5 kg	5 kg
Εκτόπισμα κινητήρα		25,7 cm ³	
Μέγιστη απόδοση κινητήρα		0,83 kW	
Μέγιστη περιστροφική συχνότητα του άξονα		8.800 min ⁻¹	
Εξάρτημα κοπής	Μεταλλική λάμα ενός τεμαχίου	φ230 mm	
	Κεφαλή χλοοκοπτικού	φ430 mm	
Ταχύτητα ρελαντί		3.000/min	
Ταχύτητα εμπλοκής συμπλέκτη		4.100/min	
Σχέση μετάδοσης		14/19	
Καύσιμο		Μείγμα καυσίμου Βενζίνη: Λάδι δίχρονου κινητήρα = 50:1	
Όγκος (ρεζερβουάρ καυσίμου)		0,6 L	
Καρμπυρατέρ		WALBRO WYC	
Μπουζί		NGK BPMR7A	
Διάκενο ηλεκτροδίων		0,6 - 0,7 mm	
Δόνηση: (Για το θαμνοκοπτικό)	Αριστερό χερούλι (Μπροστινή λαβή)	14,680 m/s ² K = 1,5 m/s ²	5,152 m/s ² K = 1,5 m/s ²
	Δεξί χερούλι (Πίσω λαβή)	9,037 m/s ² K = 1,5 m/s ²	9,677 m/s ² K = 1,5 m/s ²
Δόνηση: (Για το χλοοκοπτικό)	Αριστερό χερούλι (Μπροστινή λαβή)	7,961 m/s ² K = 1,5 m/s ²	8,83 m/s ² K = 1,5 m/s ²
	Δεξί χερούλι (Μπροστινή λαβή)	7,019 m/s ² K = 1,5 m/s ²	14,381 m/s ² K = 1,5 m/s ²
Θόρυβος (μετρήθηκε σύμφωνα την 2000/14/EK & 2005/88/EK):			
Στάθμη ηχητικής πίεσης στο επίπεδο της θέσης του χειριστή (Χλοοκοπτικό):		98,52 dB (A) K = 2,5 dB (A)	
Στάθμη ηχητικής πίεσης στο επίπεδο της θέσης του χειριστή (Θαμνοκοπτικό):		96,15 dB (A) K = 2,5 dB (A)	
Μετρημένο επίπεδο ηχητικής ισχύος (Χλοοκοπτικό):		109,77 dB (A) K = 2,5 dB (A)	
Μετρημένο επίπεδο ηχητικής ισχύος (Θαμνοκοπτικό):		107,29 dB (A) K = 2,5 dB (A)	
Θόρυβος (μετρήθηκε σύμφωνα την 2000/14/EK & 2005/88/EK): εγγυημένες τιμές ηχητικής ισχύος		112 dB (A)	

EM2600U
Τύπος Χερουλιού Σχήματος U



EM2600L
Τύπος Χερουλιού Σχήματος Βρόχου



Ονόματα εξαρτημάτων	
1	Ρεζερβουάρ καυσίμου
2	Εκκινητήρας ανατύλιξης
3	Φίλτρο αέρα
4	I-Διακόπτης Διακοπής (ανοικτός/ κλειστός)/Διακόπτης Εκκίνησης- Διακοπής
5	Μπουζί
6	Σιγαστήρας εξάτμισης
7	Κιβώτιο συμπλέκτη
8	Πίσω Λαβή
9	Αναρτήρας
10	Χερούλι
11	Μοχλός Χειρισμού
12	Καλώδιο χειρισμού
13	Άξονας
14	Προστατευτικό (Προφυλακτήρας εργαλείου κοπής)
15	Κιβώτιο ταχυτήτων
16	Στήριγμα χερουλιού
17	Λάμα κοπής
18	Νάιλον Κεφαλή Κοπής
19	Τάπα πληρωτή καυσίμου
20	Κουτί εκκινητήρα
21	Αντλία προέγχυσης
22	Μοχλός τσοκ

Στερέωση του χερούλιού

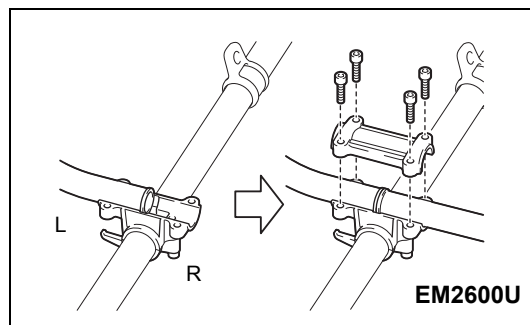
ΠΡΟΣΟΧΗ: Πριν κάνετε την οποιαδήποτε εργασία πάνω στο θαμνοκοπτικό, πάντοτε να σταματάτε τον κινητήρα και να αποσυνδέετε το σύνδεσμο του μπουζιού από το μπουζί. Να φοράτε πάντα προστατευτικά γάντια!

ΠΡΟΣΟΧΗ: Φροντίστε να επανασυναρμολογήσετε εντελώς το θαμνοκοπτικό πριν το ξεκινήσετε.

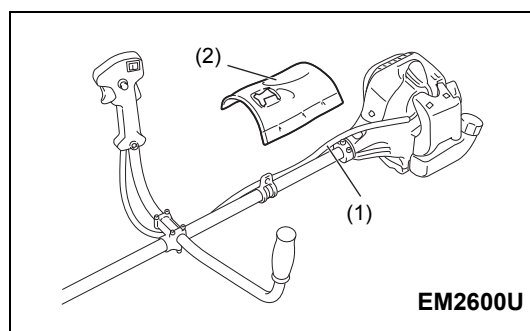


Για τα μοντέλα με χερούλι σε σχήμα U

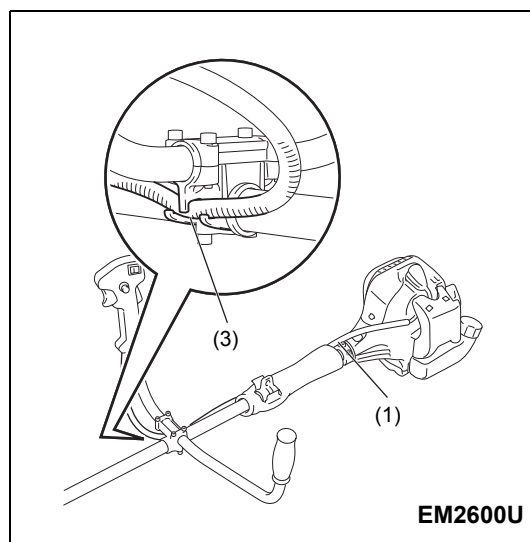
- Τοποθετήστε τα δυο χερούλια πάνω στο στηρίγμα των χερουλιών. Ο μοχλός χειρισμού πρέπει να βρίσκεται στη δεξιά πλευρά όταν κοιτάζετε προς το εργαλείο κοπής.
- Τοποθετήστε τα άκρα του χερούλιού στην εγκοπή του στηρίγματος χερουλιού και τοποθετήστε το σφιγκτήρα πάνω τους. Σφίξτε τα χαλαρά με τα τέσσερα μπουλόνια για να στερεωθούν.
- Ρυθμίστε τη γωνία των χερουλιών και στη συνέχεια σφίξτε όλα τα μπουλόνια με ένα εξάγωνο κλειδί.



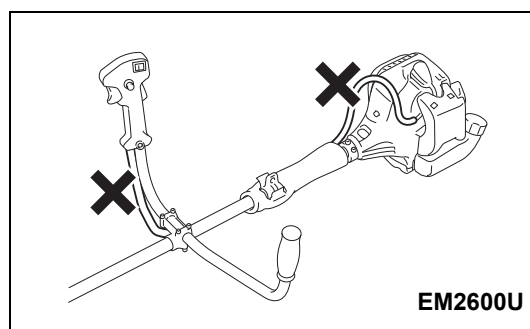
- Τοποθετήστε το καλώδιο του γκαζιού (1) στην πλευρά του μοχλού χειρισμού στον άξονα. Και στη συνέχεια τυλίξτε τα με το επίθεμα μέσης (2).



- Εισάγετε το καλώδιο του γκαζιού (1) μέσα στην υποδοχή σύσφιξης (3) του στηρίγματος χερουλιού.
- Βεβαιωθείτε ότι το καλώδιο του γκαζιού έχει τη θέση που εμφανίζεται.
- Λειτουργήστε το μοχλό χειρισμού και βεβαιωθείτε ότι μετακινείται ομαλά.

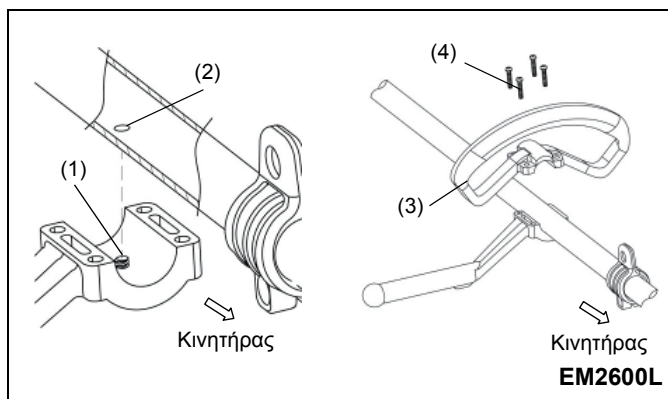


ΠΡΟΣΟΧΗ: Μην τοποθετήσετε το καλώδιο του γκαζιού όπως δείχνεται. Διαφορετικά το καμπυλωτό καλώδιο μπορεί να προκαλέσει τις υψηλές στροφές ρελαντί και η ανεξέλεγκτη λάμα μπορεί να προκαλέσει προσωπικό τραυματισμό.



Για μοντέλο με χερούλι βρόχου

- Τοποθετήστε το νήμα (1) στο στήριγμα χερούλιού μέσα στην οπή τοποθέτησης (2) στο σωλήνα.
- Στερεώστε το βοηθητικό χερούλι (3) στο φράγμα.
- Σφίξτε τα 4 μπουλόνια (4) M5 x 30.

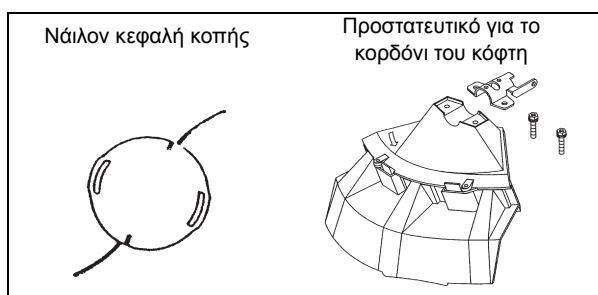
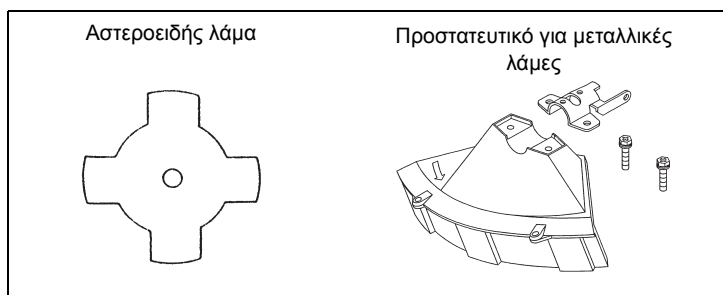


Στερέωση του προστατευτικού

Για την κάλυψη των κατάλληλων μέτρων ασφαλείας, θα πρέπει να χρησιμοποιήσετε μόνο τους συνδυασμούς εργαλείου/προστατευτικού που δείχνονται στον πίνακα.

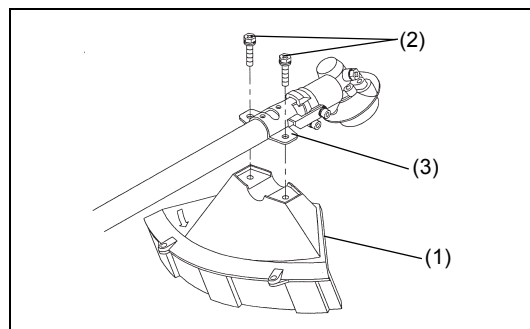
Πάντοτε να χρησιμοποιείτε αυθεντικές λάμες κοπής/νάιλον κεφαλή κοπής της MAKITA.

- Η λάμα κοπής πρέπει πάντοτε να είναι γυαλισμένη, και χωρίς ρωγμές ή σπασίματα. Εάν η λάμα κοπής χτυπήσει μια πέτρα κατά τη λειτουργία, σταματήστε τον κινητήρα και ελέγξτε αμέσως τη λάμα.
- Γυαλίστε ή αντικαταστήστε την λάμα κοπής κάθε τρεις ώρες λειτουργίας.
- Εάν η νάιλον κεφαλή κοπής χτυπήσει μια πέτρα κατά τη λειτουργία, σταματήστε τον κινητήρα και ελέγξτε αμέσως την νάιλον κεφαλή κοπής.

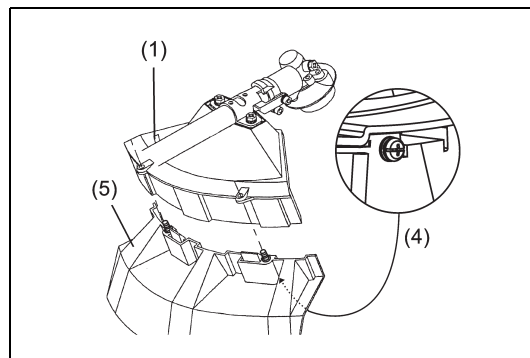


ΠΡΟΣΟΧΗ: Τα ακατάλληλα προστατευτικά πρέπει πάντοτε να εγκαθίστανται για την δική σας ασφάλεια και για την συμμόρφωση με τους κανονισμούς πρόληψης ατυχήματος. Απαγορεύεται η λειτουργία της συσκευής χωρίς να είναι τοποθετημένος ο προφυλακτήρας.

- Στερεώστε το προστατευτικό (1) στο σφικτήρα (3) με τα δυο M6 x 30 μπουλόνια (2).



- Κατά την χρήση της νάιλον κεφαλής κοπής, στερεώστε το προστατευτικό (5) μέσα στο προστατευτικό (1) και μετά σφίξτε τα με τις δυο βίδες (4).

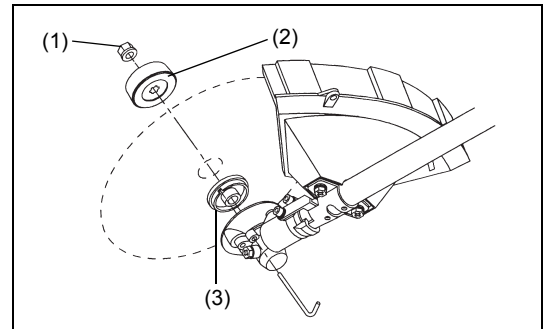


Στερέωση της λάμας κοπής/νάιλον κεφαλής κοπής

Η λάμα κοπής ή η νάιλον κεφαλή κοπής μπορεί εύκολα να αντικατασταθεί στρέφοντας πρώτα ανάποδα τη συσκευή.



- Βάλτε το εξάγωνο κλειδί μέσα στην τρύπα στο κιβώτιο των ταχυτήτων και περιστρέψτε την μονάδα υποδοχής της ροδέλας (3) έως ότου κλειδώσει με το εξάγωνο κλειδί.
- Ξεσφίξτε το παξιμάδι/ελατηριωτή ροδέλα (1) (αριστερό σπείρωμα) με το κόιλο κλειδί και αφαιρέστε το παξιμάδι/ελατηριωτή ροδέλα (1) και τη ροδέλα σύσφιξης (2).

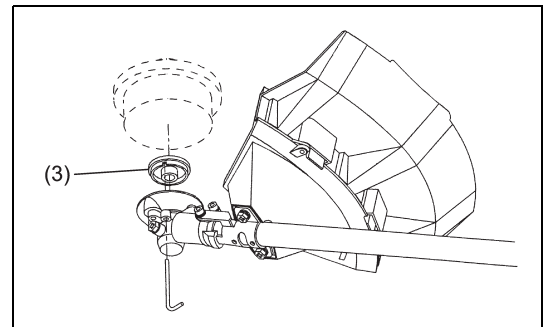
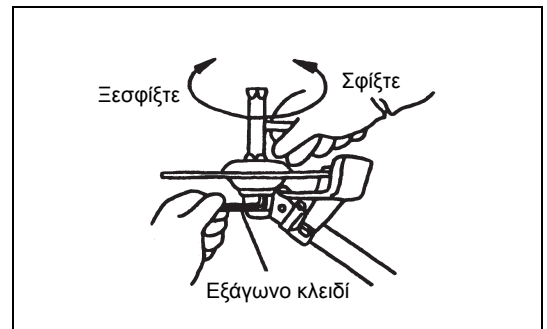


Με το εξάγωνο κλειδί ακόμη στη θέση του

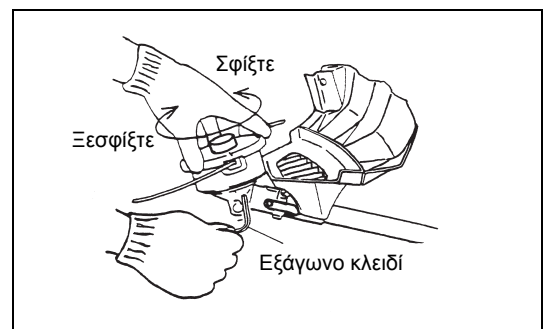
- Στερεώστε τη λάμα κοπής πάνω στον άξονα έτσι ώστε ο οδηγός της μονάδας υποδοχής της ροδέλας (3) να ταιριάζει στην τρύπα του άξονα της λάμας κοπής. Τοποθετήστε τη ροδέλα σύσφιξης (2) και στερεώστε τη λάμα κοπής με το παξιμάδι/ελατηριωτή ροδέλα (1).
[Ροπή σφίξης: 13 - 23 N-m]

ΣΗΜΕΙΩΣΗ: Πάντοτε να φοράτε γάντια κατά τον χειρισμό της λάμας κοπής.
ΣΗΜΕΙΩΣΗ: Το παξιμάδι στερέωσης της λάμας κοπής (με ελατηριωτή ροδέλα) είναι ένα αναλώσιμο εξάρτημα. Εάν εμφανιστεί η οποιαδήποτε φθορά ή παραμόρφωση στη ελατηριωτή ροδέλα, αντικαταστήστε το παξιμάδι.

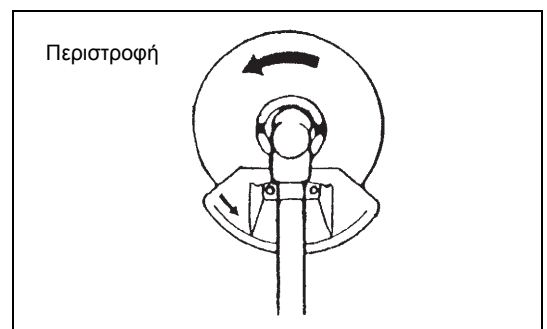
ΣΗΜΕΙΩΣΗ: Η ροδέλα σύσφιξης (2) και το παξιμάδι/ελατηριωτή ροδέλα (1) δεν είναι απαραίτητα για την στερέωση της νάιλον κεφαλής κοπής. Η νάιλον κεφαλή πρέπει να βρίσκεται στην κορυφή της μονάδας υποδοχής της ροδέλας (3).



- Βιδώστε την νάιλον κεφαλή κοπής πάνω στον άξονα.



- Βεβαιωθείτε ότι η λάμα περιστρέφεται αριστερόστροφα.





Χειρισμός καυσίμου

Απαιτείται μεγάλη προσοχή κατά τον χειρισμό του καυσίμου. Το καύσιμο μπορεί να περιέχει ουσίες όμοιες με τους διαλύτες. Ανεφοδιάστε με καύσιμο σε ένα καλά αεριζόμενο δωμάτιο είτε σε ένα εξωτερικό χώρο. Μην εισπνεύσετε τους ατμούς του καυσίμου και αποφύγετε την επαφή του καυσίμου ή του λαδιού με το δέρμα σας.

Τα προϊόντα μεταλλικού λαδιού απολιπαίνουν το δέρμα σας. Η παρατεταμένη επαφή του δέρματος με αυτά τα προϊόντα θα προκαλέσει την υπερβολική ξηρότητα του δέρματος σας, η οποία μπορεί να προκαλέσει διάφορες ασθένειες του δέρματος. Επιπρόσθετα, αλλεργικές αντιδράσεις μπορούν να συμβούν. Τα μάτια μπορούν να ερεθιστούν ερχόμενα σε επαφή με το λάδι. Εάν το λάδι έρθει σε επαφή με τα μάτια σας, να τα πλύνετε αμέσως με καθαρό νερό. Αν τα μάτια σας παραμείνουν ερεθισμένα επισκεφτείτε ένα γιατρό αμέσως.



Τηρήστε τις Οδηγίες ασφαλείας στην σελίδα 147.

Μείγμα καυσίμου και λαδιού

Ο κινητήρας του θαμνοκοπτικού είναι ένας δίχρονος κινητήρας υψηλής απόδοσης. Λειτουργεί με ένα μείγμα καυσίμου και λαδιού δίχρονου κινητήρα. Ο κινητήρας είναι σχεδιασμένος να λειτουργεί με κανονικό αμόλυβδο καύσιμο με την ελάχιστη τιμή οκτανίων των 91 RON.

Για να αποκτήσετε τη βέλτιστη απόδοση του κινητήρα και για την προστασία της υγείας σας και του περιβάλλοντος, χρησιμοποιήστε μόνο αμόλυβδο καύσιμο!

Για την λίπανση του κινητήρα, προσθέστε λάδι για δίχρονο κινητήρα (κλάση ποιότητας: JASO FC ή ISO EGD) στο καύσιμο. Ο κινητήρας είναι σχεδιασμένος να χρησιμοποιεί το καθορισμένο λάδι δίχρονου κινητήρα στην αναλογία μείγματος 50:1 για την προστασία του περιβάλλοντος.

Επιπρόσθετα, η μεγάλη διάρκεια ζωής που συνοδεύεται από αξιόπιστη λειτουργία και ελάχιστες εκπομπές εγγυώνται μέσω της χρήσης αυτής της αναλογίας του μείγματος. Η αξιόπιστη λειτουργία του θαμνοκοπτικού δεν μπορεί να είναι εγγυημένη εκτός και αν τηρηθεί επακριβώς η αναλογία του μείγματος 50:1 (καθορισμένο λάδι δίχρονου κινητήρα).



Σωστή αναλογία μείγματος:

Βενζίνη: Καθορισμένο λάδι δίχρονου κινητήρα = 50 : 1 ή



Βενζίνη: Λάδι δίχρονου κινητήρα άλλου κατασκευαστή = 25 : 1 συνιστάται

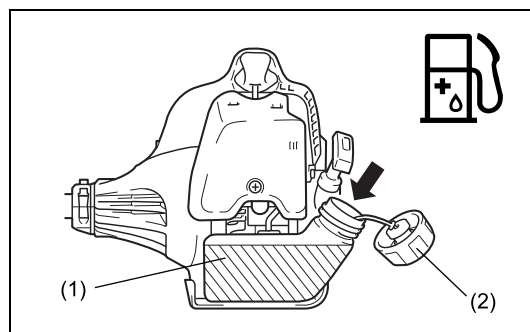
ΣΗΜΕΙΩΣΗ: Για να ετοιμάσετε το μείγμα του καυσίμου-λαδιού, πρώτα ανακατέψτε την ποσότητα του λαδιού του κινητήρα με την μισή απαιτούμενη ποσότητα του καυσίμου και μετά προσθέστε το υπόλοιπο καύσιμο. Ανακινείτε καλά το μείγμα πριν το ρίξετε μέσα στο ρεζερβουάρ του θαμνοκοπτικού. Για τη διασφάλιση της ασφαλούς λειτουργίας, μην προσθέσετε περισσότερο λάδι κινητήρα από την καθορισμένη ποσότητα. Εάν το κάνετε αυτό θα έχει ως αποτέλεσμα μόνο την υψηλότερη παραγωγή κατάλοιπων καύσης τα οποία ρυπαίνουν το περιβάλλον και βουλώνουν το κανάλι της εξάτμισης στον κύλινδρο καθώς επίσης και στο σιγαστήρα. Επιπρόσθετα, η κατανάλωση καυσίμου θα αυξηθεί και η απόδοση θα μειωθεί.

Ανεφοδιασμός καυσίμου

Ο κινητήρας πρέπει να είναι κλειστός.

- Καθαρίστε καλά την περιοχή γύρω από την τάπα του πληρωτή καυσίμου (2) για την αποφυγή της προσκόλλησης της βρωμιάς στο ρεζερβουάρ (1).
- Ξεβιδώστε την τάπα του πληρωτή καυσίμου (2) και γεμίστε το ρεζερβουάρ με καύσιμο.
- Σφίξτε τη βίδα την τάπα του πληρωτή καυσίμου (2).
- Καθαρίστε τη βίδα της τάπας του πληρωτή καυσίμου (2) και το ρεζερβουάρ μετά τον ανεφοδιασμό.

Βενζίνη	50:1	25:1
	+	
1.000 cm ³ (1 λίτρο) 5.000 cm ³ (5 λίτρα) 10.000 cm ³ (10 λίτρα)	20 cm ³ 100 cm ³ 200 cm ³	40 cm ³ 200 cm ³ 400 cm ³



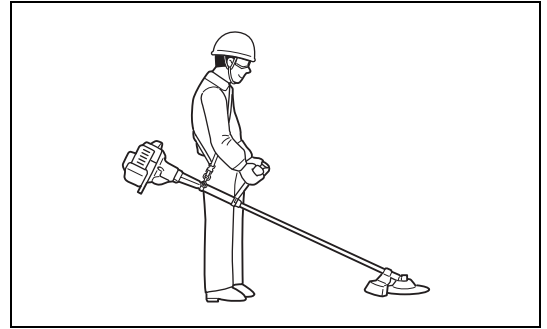
Αποθήκευση καυσίμου

Το καύσιμο δεν μπορεί να αποθηκευτεί για απεριόριστο χρονικό διάστημα. Αγοράστε μόνο την ποσότητα που απαιτείται για μια περίοδο λειτουργίας 4 εβδομάδων. Χρησιμοποιήστε μόνο τα εγκεκριμένα δοχεία αποθήκευσης καυσίμου.

Σωστός χειρισμός

Τοποθέτηση του λουριού του ώμου

- Προσαρμόστε το μήκος του λουριού έτσι ώστε η λάμα κοπής να είναι παράλληλη με το έδαφος.

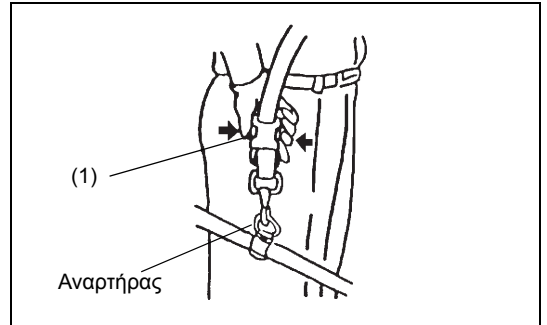


Αποσύνδεση

- Στην περίπτωση έκτακτης ανάγκης, σπρώξτε τις εγκοπές (1) και από τις δυο πλευρές, και αποσυνδέστε τη συσκευή. Τη στιγμή αυτή δώστε μεγάλη προσοχή για να διατηρήσετε τον έλεγχο της συσκευής. Μην επιτρέψετε στη συσκευή να εκτραπεί προς τα εσάς ή προς τον οποιονδήποτε γύρω σας.

ΠΡΟΕΙΔΟΠΟΙΗΣΗ: Αν δεν διατηρήσετε τον πλήρη έλεγχο του μηχανήματος μπορεί να προκληθεί σοβαρός τραυματισμός ή ΘΑΝΑΤΟΣ.

Σημείωση: Σε ορισμένες χώρες, το λουρί ώμου δεν διαθέτει αυτή τη λειτουργία αποκόλλησης.



Σημαντικά σημεία λειτουργίας/σταμάτημα του θαμνοκοπτικού/χλοοκοπτικού

Να τηρείτε τους ισχύοντες κανονισμούς πρόληψης ατυχημάτων.



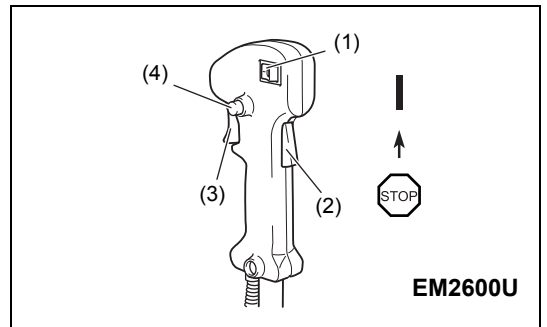
Ξεκίνηση

Μετακινηθείτε τουλάχιστον 3 μέτρα μακριά από την περιοχή στην οποία προσθέσατε καύσιμο στη συσκευή. Τοποθετήστε το θαμνοκοπτικό σε μια καθαρή περιοχή στο έδαφος δίνοντας προσοχή ώστε το εργαλείο κοπής να μην βρίσκεται σε επαφή με το έδαφος ή με άλλα αντικείμενα.

ΠΡΟΕΙΔΟΠΟΙΗΣΗ: Προσέξτε ότι το εργαλείο κοπής περιστρέφεται αμέσως μετά την εκκίνηση του κινητήρα.

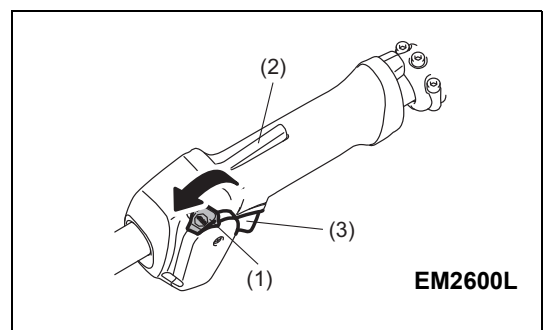
Ψυχρή εκκίνηση για τα μοντέλα με χερούλι σε σχήμα U

- Ρυθμίστε τον I-Διακόπτη Διακοπής (ανοικτός/κλειστός) (1) όπως παρουσιάζεται.
- Πιάστε το χερούλι (η πίεση του χεριού ενεργοποιεί τον ασφαλιστικό μοχλό απεμπλοκής (2)).
- Πιέστε τον μοχλό του γκαζιού (3) και κρατήστε τον κάτω.
- Πιέστε το κουμπί ασφάλισης (4) και ελευθερώστε τον μοχλό χειρισμού, και μετά ελευθερώστε το κουμπί ασφάλισης (το κουμπί ασφάλισης κρατά το μοχλό του γκαζιού στη θέση εκκίνησης).



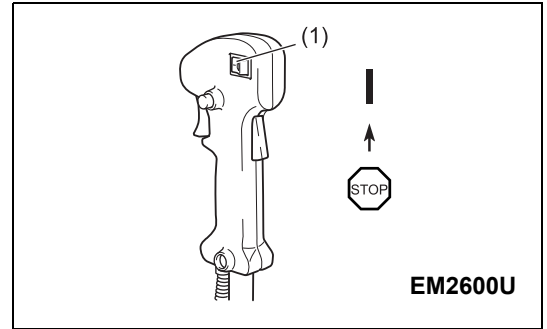
Ψυχρή εκκίνηση για τα μοντέλα με χερούλι σε σχήμα βρόχου

- Ρυθμίστε τον διακόπτη Έναρξης-Διακοπής (1) στη θέση εκκίνησης όπως παρουσιάζεται.
- Πιάστε το χερούλι (η πίεση του χεριού ενεργοποιεί τον ασφαλιστικό μοχλό απεμπλοκής (2)).
- Πιέστε τον μοχλό του γκαζιού (3) και κρατήστε τον κάτω.
- Ρυθμίστε το διακόπτη Έναρξης-Διακοπής (1) στη θέση έναρξης και αφήστε το μοχλό χειρισμού και στη συνέχεια αφήστε τον διακόπτη Έναρξης-Διακοπής (ο διακόπτης Έναρξης-Διακοπής κρατά το μοχλό του γκαζιού στη θέση εκκίνησης).



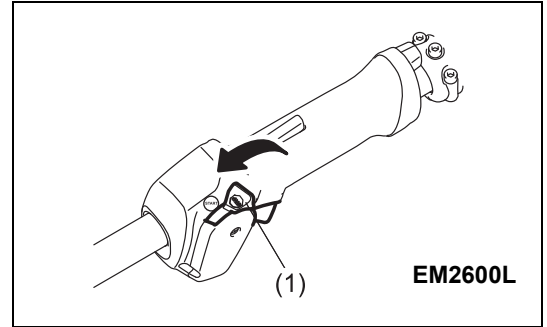
Θερμή εκκίνηση για τα μοντέλα με χερούλι σε σχήμα U

- Ρυθμίστε τον I-Διακόπτη Διακοπής (ανοικτός/κλειστός) (1) όπως παρουσιάζεται.



Θερμή εκκίνηση για τα μοντέλα με χερούλι σε σχήμα βρόχου

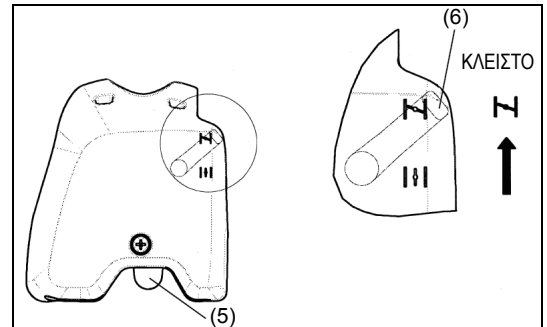
- Ρυθμίστε τον διακόπτη Έναρξης-Διακοπής (1) στη νεκρά θέση όπως παρουσιάζεται.



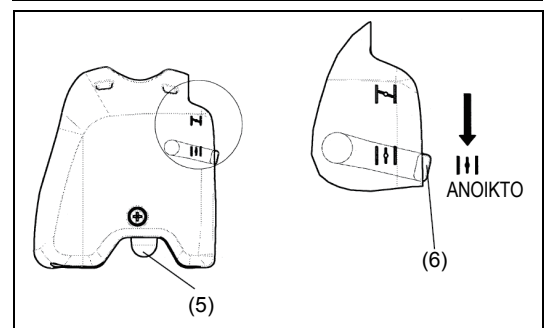
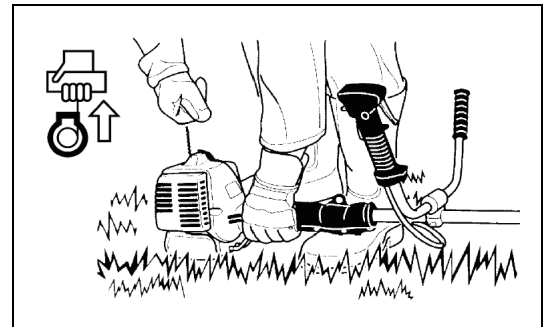
- Πρώτα, τοποθετήστε τη συσκευή στο έδαφος.
- Πιέστε με προσοχή την αντλία προέγχυσης (5) επαναλαμβανόμενα (7-10 φορές) έως ότου το καύσιμο μπει στην αντλία προέγχυσης.
- Κλείστε το μοχλό του τσοκ (6).

Άνοιγμα του τσοκ:

- Πλήρως κλειστό στις ψυχρές θερμοκρασίες ή όταν ο κινητήρας είναι ψυχρός
- Πλήρως ανοικτό ή μισάνοικτο για την εκκίνηση καθώς ο κινητήρας είναι ακόμη ζεστός



- Κρατήστε καλά το κιβώτιο του συμπλέκτη με το αριστερό σας χέρι, όπως δείχνεται στο διάγραμμα.
- Τραβήξτε σιγά την λαβή του εκκινητήρα έως ότου αισθανθείτε την αντίσταση και μετά συνεχίστε να τραβάτε δυνατά.
- Μην τραβήξετε έξω μέχρι τέλους το κορδόνι του εκκινητήρα και μην αφήσετε το χερούλι του εκκινητήρα να αναυλιχτεί μόνο του. Διατηρήστε τον έλεγχο του κορδονιού του εκκινητήρα και διασφαλίστε ότι αναυλιγεται αργά.
- Επαναλάβετε τη διαδικασία της εκκίνησης έως ότου ακούσετε τις αρχικές αναφλέξεις του κινητήρα.
- Πιέστε τον μοχλό του τσοκ (6) (↓) και τραβήξτε το κορδόνι του εκκινητήρα ξανά έως ότου ξεκινήσει ο κινητήρας.
- Μόλις ξεκινήσει ο κινητήρας, αμέσως πιέστε και αφήστε το γκαζί, για να ελευθερώσετε το μισό κλείδωμα του γκαζιού και αφήστε τον κινητήρα να λειτουργήσει στο ρελαντί.
- Λειτουργήστε τον κινητήρα για περίπου ένα λεπτό σε μέτρια ταχύτητα πριν ανοίξετε πλήρως το γκαζί.



ΣΗΜΕΙΩΣΗ: - Εάν τραβήξετε το χερούλι του εκκινητήρα επαναλαμβανόμενα όταν ο μοχλός του τσοκ βρίσκεται στη θέση "↓", ο κινητήρας δεν θα ξεκινήσει εύκολα λόγω της υπερβολικής εισόδου καυσίμου.

- Εάν εισέλθει υπερβολική ποσότητα καυσίμου, αφαιρέστε το μπουζί και τραβήξτε το χερούλι του εκκινητήρα αργά για να αφαιρέσετε το καύσιμο. Επίσης, στεγνώστε το τμήμα του ηλεκτροδίου του μπουζιού.

Προσοχή κατά τη λειτουργία:

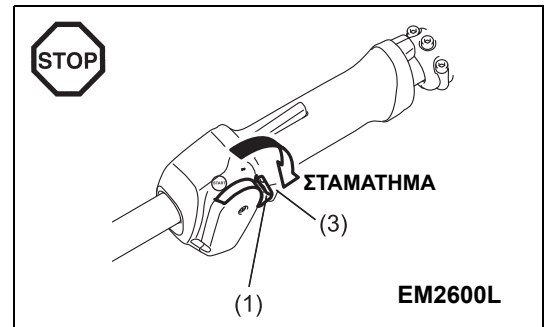
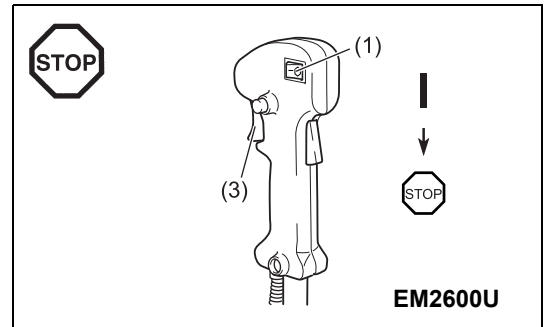
Εάν ο μοχλός του γκαζιού ανοίξει πλήρως κατά τη λειτουργία χωρίς φορτίο, οι περιστροφές του κινητήρα θα αυξηθούν πάνω από 10.000 min⁻¹. Ποτέ να μην λειτουργείτε τον κινητήρα σε υψηλότερες ταχύτητες από ό,τι απαιτείται και διατηρήστε τις περιστροφές σε μια ταχύτητα περίπου 6.000 - 8.000 min⁻¹.

ΠΡΟΣΟΧΗ: Πάντοτε να ελαττώνετε τις περιστροφές του κινητήρα όταν η συσκευή δεν χρησιμοποιείται για εργασία.

Η λειτουργία της συσκευής με υψηλές τροφές όταν δεν χρησιμοποιείται για εργασία θα ελαττώσει την διάρκεια ζωής της συσκευής.

Σταμάτημα

- Ελευθερώστε πλήρως το μοχλό του γκαζιού (3) και μετά όταν οι στροφές του κινητήρα χαμηλώσουν, σπρώξτε τον Ι-Διακόπτη Διακοπής (ανοικτός/ κλειστός)/Διακόπτη Εκκίνησης-Διακοπής (1) στη θέση "ΣΤΑΜΑΤΗΜΑ (STOP)" για να σταματήσει ο κινητήρας.
- Προσέχετε γιατί η κεφαλή κοπής μπορεί να μην σταματήσει αμέσως και πάντοτε να αφήνετε να επιβραδύνει και να σταματά τελείως μόνη της.



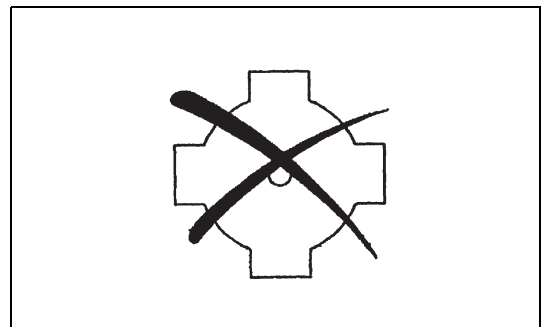
Ακόνισμα του εργαλείου κοπής

ΠΡΟΣΟΧΗ: Τα εργαλεία κοπής που παρατίθενται παρακάτω πρέπει μόνο να ακονίζονται από ένα εξουσιοδοτημένο κατάστημα. Το ακόνισμα με το χέρι θα προκαλέσει ανισορροπίες στο εργαλείο κοπής, οι οποίες θα προκαλέσουν δονήσεις και ζημιά στη συσκευή.

- λάμα κοπής (αστεροειδής λάμα (4 δόντια))

Ένα επαγγελματικό σέρβις ακονίσματος και εξισορρόπησης παρέχεται από τους Εξουσιοδοτημένους Αντιπροσώπους του Σέρβις.

ΣΗΜΕΙΩΣΗ: Για την επιμήκυνση της διάρκειας ζωής της λάμας κοπής (αστεροειδής λάμα), η λάμα μπορεί να στραφεί ανάποδα για να φθείρονται τα άκρα κοπής και από τις δυο πλευρές.



ΝΑΪΛΟΝ ΚΕΦΑΛΗ ΚΟΠΗΣ

Η νάιλον κεφαλή κοπής είναι μια κεφαλή κοπής διπλής μεσηνέζας με μηχανισμό πρόσκρουσης & τροφοδοσίας.

Η νάιλον κεφαλή κοπής τροφοδοτεί το νάιλον νήμα μετά την πρόσκρουση της κεφαλής κοπής στο έδαφος.

Λειτουργία

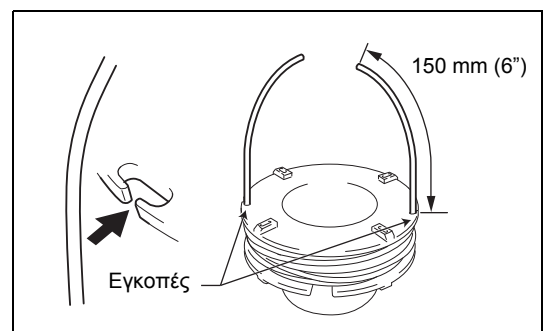
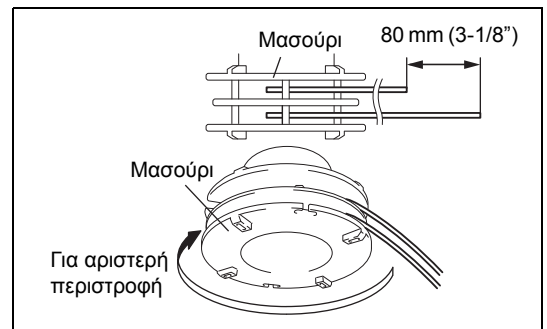
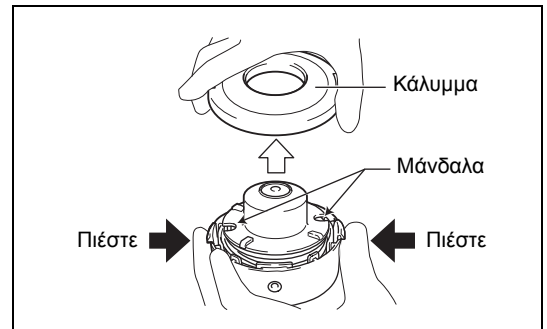
- Η πιο αποτελεσματική περιοχή κοπής δείχνεται από την σακιασμένη περιοχή.
- Για την τροφοδοσία του νάιλον νήματος, αυξήστε την ταχύτητα της νάιλον κεφαλής κοπής στις περίπου 6.000 min^{-1} και κτυπήστε ελαφρά την νάιλον κεφαλή κοπής στο έδαφος.
- Αν η νάιλον κεφαλή κοπής δεν τροφοδοτείται προς τα έξω με το κτύπημα, επανατυλίξτε/αντικαταστήστε το νάιλον νήμα ακολουθώντας τις διαδικασίες που περιγράφονται στο "Αντικατάσταση του νάιλον νήματος".

Αντικατάσταση του νάιλον νήματος

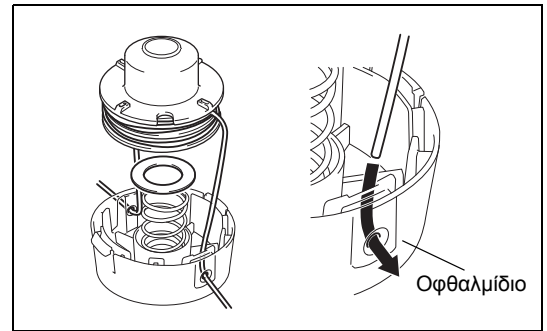
- Σταματήστε τον κινητήρα.
- Πιέστε τα μάνταλα της θήκης προς τα μέσα για να ανυψώσετε προς τα έξω το κάλυμμα και αφαιρέστε το μασούρι.

- Αγκιστρώστε το κέντρο του καινούργιου νάιλον νήματος στην εγκοπή στο κέντρο του μασουριού, με το ένα άκρο του νήματος να εξέχει περίπου 80 mm (3-1/8") περισσότερο από το άλλο. Μετά τυλίξτε και τα δυο άκρα γύρω από το μασούρι προς τη διεύθυνση της περιστροφής της κεφαλής (η περιστροφή προς τα αριστερά δείχνεται με το LH και η περιστροφή προς τα δεξιά δείχνεται με το RH στο πλάι του μασουριού).

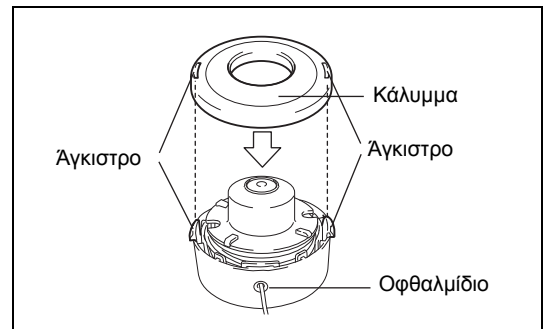
- Τυλίξτε γύρω από το μασούρι όλα τα νήματα εκτός από ένα μήκος 150 mm (6"), αφήνοντας προσωρινά τα άκρα αγκιστρωμένα μέσα στις εγκοπές στο πλάι του μασουριού.



- Περάστε τα νήματα μέσα από τα οφθαλμίδια για να βγουν έξω από τη θήκη. Στερεώστε τη ροδέλα, το ελατήριο και το μασούρι στη θήκη.



- Ευθυγραμμίστε τα άγκιστρα του καλύμματος και του περιβλήματος. Στη συνέχεια σπρώξτε το κάλυμμα σταθερά πάνω στο περίβλημα για να το ασφαλίσετε.



Οδηγίες σέρβις

Οδηγίες σέρβις

ΠΡΟΣΟΧΗ: Πριν κάνετε την οποιαδήποτε τύπου εργασία συντήρησης στο θαμνοκοπτικό, πάντοτε να κλείνετε το μοτέρ και να αποσυνδέετε την τάπα του βύσματος του μπουζιού (δείτε το "Έλεγχος του μπουζιού"). Πάντοτε να φοράτε προστατευτικά γάντια.

ΠΡΟΣΟΧΗ: Ποτέ να την αφαιρέσετε τον εκκινήτηρα ανατύλιξης μόνοι σας. Εάν το κάνετε αυτό μπορεί να προκληθεί ατύχημα. Αυτή η διαδικασία θα πρέπει να εκτελείται μόνο από ένα Εξουσιοδοτημένο Αντιπρόσωπο του Σέρβις.

Για τη διασφάλιση της μεγάλης διάρκειας ζωής και της αποφυγής της ζημιάς στη συσκευή, εκτελείτε κατά τακτά διαστήματα τις παρακάτω εργασίες συντήρησης.

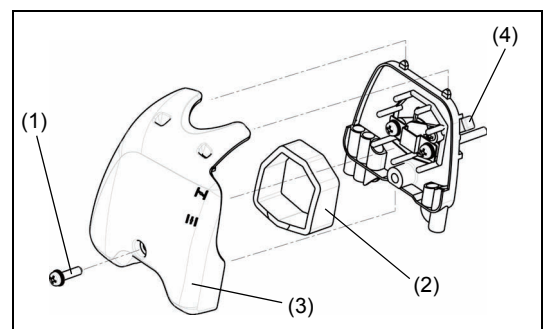
Καθημερινός έλεγχος και συντήρηση

- Πριν τη λειτουργία, ελέγξτε τη συσκευή για ξεσφιγμένες βίδες ή εξαρτήματα που λείπουν. Δώστε ιδιαίτερη προσοχή στο σφίξιμο της λάμας κοπής ή στην νάιλον κεφαλή κοπής.
- Πριν τη λειτουργία, ελέγξτε πάντοτε για να είστε σίγουροι ότι ο αγωγός του αέρα ψύξης και τα πτερύγια του κυλίνδρου δεν είναι βουλωμένα. Καθαρίστε τα εάν είναι απαραίτητο.
- Εκτελέστε τις παρακάτω εργασίες συντήρησης καθημερινά μετά τη χρήση:
 - Καθαρίστε το θαμνοκοπτικό εξωτερικά και επιθεωρήστε το για ζημιά.
 - Καθαρίστε το φίλτρο αέρα. Κατά την εργασία υπό συνθήκες με πολύ σκόνη, καθαρίστε το φίλτρο αρκετές φορές την μέρα.
 - Ελέγξτε τη λάμα ή τη νάιλον κεφαλή κοπής για ζημιά και βεβαιωθείτε ότι είναι καλά στερεωμένη.
 - Ελέγξτε για να διαπιστώσετε ότι υπάρχει επαρκής διαφορά μεταξύ των ταχυτήτων του ρελαντί και της λειτουργίας και να διασφαλίσετε ότι το εργαλείο κοπής είναι σταματημένο όταν ο κινητήρας βρίσκεται στο ρελαντί (εάν είναι απαραίτητο, ελαττώστε την ταχύτητα του ρελαντί). Εάν το εργαλείο κοπής συνεχίζει να περιστρέφεται όταν ο κινητήρας βρίσκεται στο ρελαντί, συμβουλευτείτε τον πλησιέστερο Εξουσιοδοτημένο Αντιπρόσωπο του Σέρβις.
- Ελέγξτε για να διαπιστώσετε ότι ο Ι-Διακόπτης Διακοπής (ανοικτός/κλειστός)/Διακόπτης Εκκίνησης-Διακοπής, ο μοχλός απεμπλοκής, ο μοχλός χειρισμού, και το κουμπί ασφάλισης λειτουργούν σωστά.



Καθαρισμός του φίλτρου αέρα (φίλτρο)

- Στρέψτε το μοχλό του τσοκ (4) στην πλήρως κλειστή πλευρά και κρατήστε το καρμπιρατέρ μακριά από την οποιαδήποτε βρωμιά ή σκόνη.
- Αφαιρέστε τη βίδα (1).
- Αφαιρέστε το κάλυμμα του φίλτρου αέρα (3).
- Αφαιρέστε το στοιχείο του σπόγγου (2), πλύνετε το με χλιαρό νερό και στεγνώστε το εντελώς.
- Μετά το καθαρίσμα, τοποθετήστε πίσω το κάλυμμα του φίλτρου αέρα (3) και στερεώστε το με τη βίδα (1).

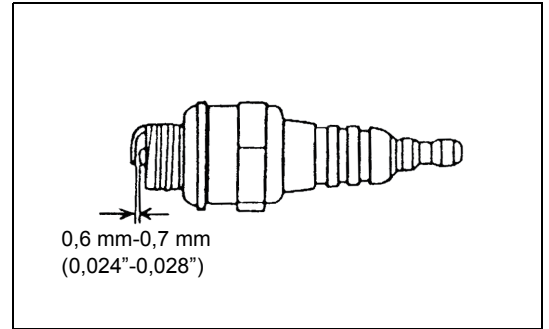


ΣΗΜΕΙΩΣΗ: Εάν υπάρχει υπερβολική σκόνη ή βρωμιά κολλημένη στο φίλτρο αέρα, καθαρίστε το κάθε μέρα. Ένα βουλωμένο φίλτρο αέρα μπορεί να καταστήσει δύσκολη ή ακόμη και αδύνατη την εκκίνηση του κινητήρα ή να αυξήσει την περιστροφική ταχύτητα του κινητήρα.

Έλεγχος του μπουζί

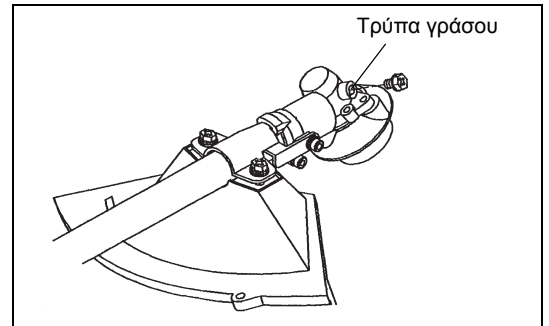
- Χρησιμοποιήστε μόνο το παρεχόμενο κλειδί γενικής χρήσης για την αφαίρεση ή την τοποθέτηση του μπουζί.
- Το διάκενο μεταξύ των δυο ηλεκτροδίων του μπουζί πρέπει να είναι 0,6-0,7 mm (0,024"-0,028"). Διορθώστε το διάκενο εάν είναι πολύ μεγάλο ή μικρό. Εάν το μπουζί είναι βουλωμένο με άνθρακα ή βρωμιά, καθαρίστε το καλά ή αντικαταστήστε το.

ΠΡΟΣΟΧΗ: Ποτέ να μην αγγίζετε το σύνδεσμο του μπουζί καθώς λειτουργεί ο κινητήρας (υπάρχει κίνδυνος ηλεκτροπληξίας από την υψηλή τάση).



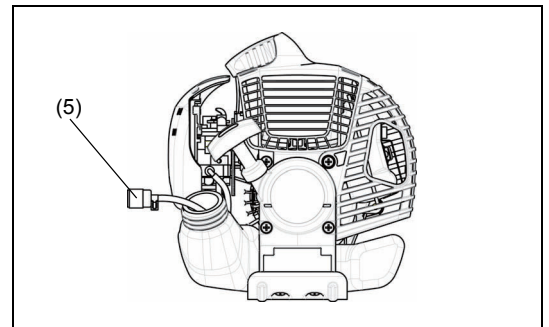
Παροχή γράσου στο κιβώτιο ταχυτήτων

- Βάλτε γράσο (Shell Alvania 2 ή ισοδύναμο) στο κιβώτιο ταχυτήτων μέσα από την τρύπα του γράσου κάθε 30 ώρες. (Αυθεντικό γράσο MAKITA μπορεί να αγοραστεί από τον αντιπρόσωπο της MAKITA.)



Κεφαλή αναρρόφησης στο ρεζερβουάρ καυσίμου

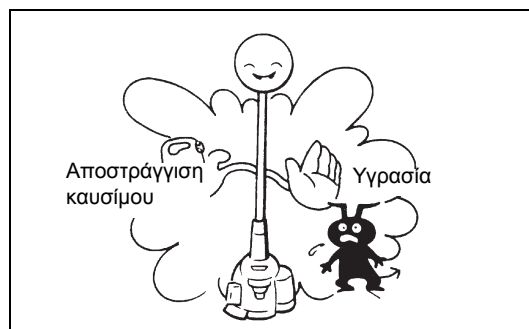
- Το φίλτρο καυσίμου (5) της κεφαλής αναρρόφησης χρησιμοποιείται για την παροχή του απαιτούμενου καυσίμου στο καρμπυρατέρ.
- Επιθεωρείτε οπτικά το φίλτρο καυσίμου κατά περιόδους. Για την επιθεώρηση του φίλτρου, ανοίξτε την τάπα πληρωτή καυσίμου, χρησιμοποιήστε ένα συρματένιο άγκιστρο και τραβήξτε έξω την κεφαλή αναρρόφησης μέσα από το άνοιγμα του ρεζερβουάρ. Αντικαταστήστε το φίλτρο εάν είναι σκληρό, εάν είναι ιδιαίτερα βρώμικο, ή βουλωμένο.
- Η ανεπαρκής κατανάλωση καυσίμου μπορεί να προκαλέσει την υπέρβαση της μέγιστης επιτρεπόμενης ταχύτητας. Επομένως, το φίλτρο καυσίμου θα πρέπει να αντικαθίσταται τουλάχιστο κάθε τρεις μήνες για την εξασφάλιση της ικανοποιητικής παροχής καυσίμου στο καρμπυρατέρ.



Η οποιαδήποτε άλλη εργασία συντήρησης ή ρύθμισης που δεν περιγράφεται σε αυτό το εγχειρίδιο θα πρέπει να εκτελείται μόνο από τους Εξουσιοδοτημένους Αντιπρόσωπους του Σέρβις.

Αποθήκευση

- Όταν πρόκειται να αποθηκεύσετε τη συσκευή για μεγάλο χρονικό διάστημα αποστραγγίστε όλο το καύσιμο από το ρεζερβουάρ και το καρμπυρατέρ. Για να το κάνετε αυτό, απλά αποστραγγίστε όλο το καύσιμο από το ρεζερβουάρ. Απορρίψτε το αποστραγγισμένο καύσιμο σύμφωνα με την τοπική ισχύουσα νομοθεσία.
- Αφαιρέστε το μπουζί και προσθέστε μερικές σταγόνες λαδιού μέσα στην τρύπα του μπουζιού. Μετά, τραβήξτε σιγά τον εκκινήτηρα έτσι ώστε το λάδι να επαλείψει το εσωτερικό του κινητήρα και μετά σφίξτε το μπουζί.
- Καθαρίστε την οποιαδήποτε βρωμιά ή σκόνη από την λάμα κοπής και το εξωτερικό του κινητήρα και σκουπίστε τα με ένα ύφασμα βουτηγμένο σε λάδι. Αποθηκεύστε τη συσκευή σε ένα ξηρό χώρο.



Πρόγραμμα συντήρησης

Γενικά	Συναρμολογία κινητήρα, βίδες και παξιμάδια	Οπτική επιθεώρηση για ζημιά και σφίξιμο Ελέγξτε την γενική κατάσταση και ασφάλεια
Μετά τον ανεφοδιασμό	Μοχλός χειρισμού I-Διακόπτης Διακοπής (ανοικτός/ κλειστός)/Διακόπτης Εκκίνησης-Διακοπής	Λειτουργικός έλεγχος Λειτουργικός έλεγχος
Καθημερινά	Φίλτρο αέρα Ψυκτικός αεραγωγός Εργαλείο κοπής Ταχύτητα ρελαντί	Να καθαριστεί Να καθαριστεί Έλεγχος για ζημιά και αιχμηρότητα Επιθεώρηση (το εργαλείο κοπής δεν πρέπει να κινείται)
Εβδομαδιαία	Μπουζί Σιγαστήρας	Επιθεώρηση, αντικατάσταση εάν είναι απαραίτητο Επιθεώρηση, και καθαρισμός του ανοίγματος εάν είναι απαραίτητο
Τέσσερις φορές το χρόνο	Κεφαλή αναρρόφησης Ρεζερβουάρ καυσίμου	Να αντικατασταθεί Να καθαριστεί
Διαδικασία κλεισίματος	Ρεζερβουάρ καυσίμου Καρμπυρατέρ	Άδειασμα ρεζερβουάρ Λειτουργία έως ότου τελειώσουν τα καύσιμα του κινητήρα

Επίλυση προβλημάτων

Σφάλμα	Σύστημα	Παρατήρηση	Αιτία
Ο κινητήρας δεν ξεκινά ή δυσκολεύεται να ξεκινήσει	Σύστημα ανάφλεξης	Σπινθήρας ανάφλεξης ENTAΞΕΙ Δεν υπάρχει σπινθήρας ανάφλεξης	Σφάλμα στην παροχή καυσίμου ή στο σύστημα συμπίεσης, μηχανική βλάβη I-Διακόπτης Διακοπής (ανοικτός/κλειστός)/Διακόπτης Εκκίνησης-Διακόπτης υπό χειρισμό, σφάλμα καλωδίωσης ή βραχυκύκλωμα, ελαττωματικό μπουζί ή σύνδεσμος, βλάβη στο σύστημα ανάφλεξης
	Τροφοδοσία καυσίμου	Γεμάτο ρεζερβουάρ καυσίμου	Λανθασμένη θέση του σοκ, ελαττωματικό καρμπυρατέρ, σωλήνας παροχής καυσίμου λυγισμένος ή μπλοκαρισμένος, βρώμικο καύσιμο
	Συμπίεση	Καμιά συμπίεση κατά το τράβηγμα	Ελαττωματική η κάτω στεγανοποιητική φλάντζα του κυλίνδρου, φθαρμένα στεγανοποιητικά του στροφαλοφόρου, ελαττωματικός δακτύλιος του κυλίνδρου ή του πιστονιού ή ακατάλληλη στεγανοποίηση του μπουζί
Προβλήματα θερμής εκκίνησης	Μηχανική βλάβη	Ο εκκινήτηρας δεν λειτουργεί	Σπασμένο ελατήριο του εκκινήτηρα, σπασμένα εξαρτήματα μέσα στον κινητήρα
	Τροφοδοσία καυσίμου	Ρεζερβουάρ γεμάτο. Σπινθήρας ανάφλεξης ENTAΞΕΙ	Βρώμικο καρμπυρατέρ, πρέπει να καθαριστεί
Ο κινητήρας ξεκινά αλλά σβήνει	Τροφοδοσία καυσίμου	Ρεζερβουάρ γεμάτο	Λανθασμένη ρύθμιση του καρμπυρατέρ, βρώμικο καρμπυρατέρ Ελαττωματικό άνοιγμα του ρεζερβουάρ, διακοπή στο σωλήνα παροχής καυσίμου, ελαττωματικό καλώδιο ή I-Διακόπτης Διακοπής (ανοικτός/κλειστός)/Διακόπτης Εκκίνησης-Διακοπής
Ανεπαρκής απόδοση	Πολλά συστήματα μπορεί να είναι ταυτόχρονα ελαττωματικά	Ανεπαρκές ρελαντί του κινητήρα	Βρώμικο φίλτρο αέρα, βρώμικο καρμπυρατέρ, σιγαστήρας βουλωμένος, αγωγός εξάτμισης βουλωμένος

Bu MAKITA yan tırpanı/misinalı yan tırpanı satın aldığınız için teşekkür ederiz. MAKITA yan tırpan/misinalı yan tırpan yılların bilgi ve deneyimine dayalı olarak ve ayrıntılı bir geliştirme programı neticesinde geliştirilmiş bir üründür. MAKITA yan tırpandan/misinalı yan tırpandan mümkün olan en iyi performansı ve mükemmel sonuçlar elde edebilmek için, lütfen bu kılavuzu dikkatlice okuyun.



İçindekiler

Sayfa

Simgeler	164
Güvenlik talimatları	165
Teknik veriler	169
Parça adları	170
Kolun takılması	171
Koruyucunun takılması	172
Kesici bıçağın/misinalı kesim başlığının takılması	173
Kullanılabilir Yakıtlar/Yakıt Doldurma	174
Doğru kullanım	175
Önemli çalışma hususları/kesicinin/yan tırpanın durdurulması	175
Kesici parçanın bilinmesi	177
Servis talimatları	179
Saklama	181

Simgeler

Bu kullanım kılavuzunu okurken dikkat etmeniz gereken simgeler aşağıda açıklanmıştır.

	Kullanım Kılavuzunu Okuyun		Koruyucu gözlük ve kulaklık kullanın (yalnızca misinalı yan tırpan için)
	Gerekli önlemleri alın ve Dikkatli olun		Koruyucu baret, gözlük ve kulaklık kullanın (yalnızca yan tırpan için)
	Yasak		Metal bıçaklar kullanmayın (yalnızca misinalı yan tırpan için)
	Mesafenizi koruyun		İzin verilen maksimum makine devri
	Sıçrayan yabancı madde tehlikesi		Sıcak yüzeyler - Parmak veya el yanıkları
	Sigara İçmek Yasaktır		Yakıt ve yağ karışımı
	Açık alev yasaktır		Motorun Manüel Çalıştırılması
	Mutlaka koruyucu eldiven takılmalıdır		Acil durdurma
	Geri tepme		İlk Yardım
	İnsanları ve hayvanları çalışma alanından uzak tutun		AÇIK/ÇALIŞIYOR
	Altı kaymayan sağlam ayakkabılar giyin. Çelik uçlu koruyucu ayakkabılar tavsiye edilir.		KAPALI/DURUYOR
			ÇALIŞIYOR

Güvenlik talimatları

Genel Talimatlar

- Doğru çalışmayı garanti etmek için, yan tırpanın/misinalı yan tırpanın kullanımını öğrenmek için bu kullanım kılavuzunu okuduğunuzdan ve bütünüyle anladığınızdan emin olun. Bu makinenin nasıl doğru şekilde çalıştırılacağına ilişkin anlaşılmasız kullanılması sizin veya başkalarının ciddi şekilde yaralanmasına neden olabilir.
- Yan tırpanı/misinalı yan tırpanı yalnızca yan tırpan/misinalı yan tırpanla deneyimi kanıtlanmış kişilere teslim edin. Bu kişilere makineyle birlikte daima bu kullanım kılavuzunu da verin.
- İlk defa motorlu bir kesici makine kullanıyorsanız, temel talimatlar için bayiinize danışın.
- Çocuklar ve 18 yaşının altındaki gençlerin yan tırpanı/misinalı yan tırpanı kullanmasına kesinlikle izin verilmemelidir. 16 yaşının üzerindeki gençler bu makineyi deneyimli bir eğitmenin gözetiminde yalnızca eğitim amacıyla kullanabilir.
- Yan tırpanı/misinalı yan tırpanı çok hassas ve dikkatli bir şekilde kullanın.
- Yan tırpanı/misinalı yan tırpanı yalnızca fiziksel olarak iyi durumdayken çalıştırın. Tüm işlerinizi sakın ve dikkatli bir şekilde yürütün. Kullanıcılar mutlaka etrafındaki kişilerin sorumluluğunu da kabul etmelidir.
- Yan tırpanı/misinalı yan tırpanı kesinlikle alkol veya ilaç aldıktan sonra veya yorgunken veya hastayken kullanmayın.

UYARI: Bu makine, çalışma sırasında elektromanyetik alan üretir. Bu alan bazı durumlarda aktif veya pasif tıbbi implantlara etki edebilir. Ciddi yaralanma ve ölüm tehlikesinin düşürülmesi için, tıbbi implantı olan kişilerin bu makineyi çalıştırmadan önce doktorlarına ve tıbbi implant üreticilerine danışmalarını öneririz.

Makinenin amaçlanan kullanımı

- Yan tırpanı/misinalı yan tırpanı yalnızca çim, yabancı otlar, çalılar ve ağaç altı bitkilerinin kesilmesi için tasarlanmıştır ve kesinlikle kenar düzeltme veya budama kesimleri vb. gibi başka amaçlar için kullanılmamalıdır; aksi takdirde yaralanmalara yol açabilir.

Kişisel koruyucu ekipmanlar

- Daima işiniz için hem işlevsel, hem de rahat kıyafetler giyin. Örneğin; kıyafetlerinizin vücudunuzu sarmalıdır, ancak rahat hareket etmenizi engelleyecek kadar sıkı olmamalıdır. Çalılara veya fundalara takılabileceğinden takı takmayın ve bol kıyafetler giymeyin.
- Baş, göz, el ve ayak yaralanmalarını önlemek ve kulaklarınızı korumak için, yan tırpan/misinalı yan tırpanın çalıştırılması sırasında aşağıdaki koruyucu ekipmanlar ve koruyucu kıyafetler kullanılmalıdır.
- Üzerinize bir şey düşme riski varsa mutlaka koruyucu baret takın. Koruyucu baret (1), olası hasarlara karşı düzenli aralıklarla kontrol edilmeli ve en geç 5 yılda bir değiştirilmelidir. Yalnızca onaylı koruyucu baretlere kullanın.
- Koruyucu baretin siperliği (2) (veya alternatif olarak koruyucu gözlükler) yüzünüzü sıçrayan yabancı madde ve taşlara karşı korur. Yan tırpan/misinalı yan tırpanı çalıştırırken, göz yaralanmalarını önlemek için mutlaka koruyucu gözlük veya siperlik takın.
- Olası duyma bozukluklarını önlemek için koruyucu kulaklık (3), kulak tıkacı vs. gibi gürültüye karşı koruyucu ekipmanlar kullanın.
- İş önlükleri (4) sizi sıçrayan taşlara ve yabancı maddelere karşı korur. İş önlüğü giymenizi şiddetle öneririz.
- Kalın deriden imal edilmiş özel eldivenler (5) koruyucu ekipmanların bir parçasıdır ve yan tırpan/misinalı yan tırpan çalıştırılırken mutlaka takılmalıdır.
- Yan tırpanı/misinalı yan tırpanı kullanırken, daima altı kaymayan sağlam ayakkabılar (6) giyin. Bu ayakkabılar sizi yaralanmalara karşı korur ve yere sağlam basmanızı sağlar.

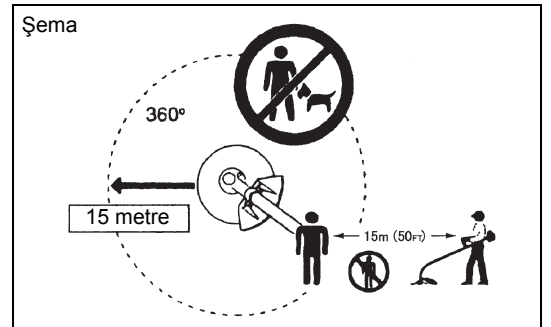
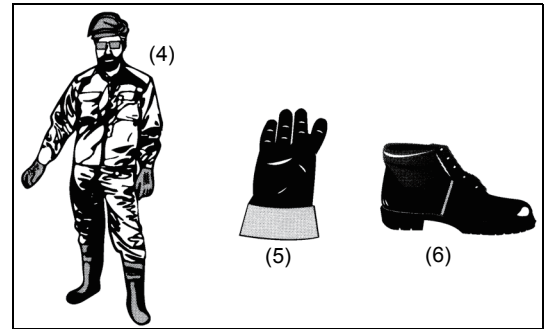
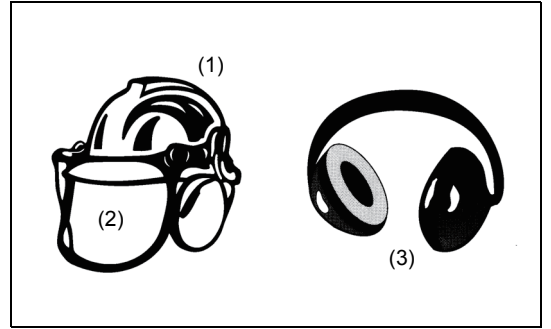
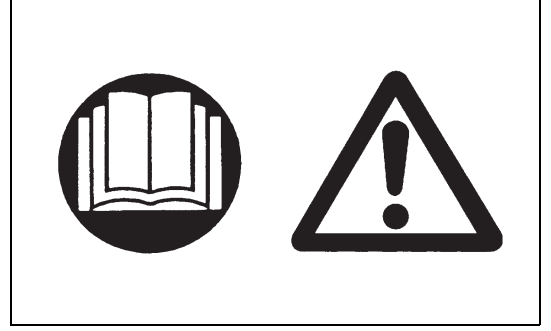
Artık riskler

- Makine öngörüldüğü şekilde kullanılsa dahi, tüm artık risk faktörlerinin ortadan kaldırılması mümkün değildir. Makinenin yapısı ve tasarımıyla bağlantılı olarak şu tehlikeler ortaya çıkabilir.

1. Uygun bir toz maskesi takılmazsa, ciğerlere zarar verebilir.
2. Uygun bir koruyucu kulaklık takılmazsa, duyma bozukluklarına neden olabilir.
3. Makinenin uzun süre kullanılması veya uygun şekilde yönetilmemesi ve bakımının gerektiği şekilde yapılmaması durumunda, titreşim emisyonundan dolayı sağlık bozuklukları meydana gelebilir.

Yan tırpanın çalıştırılması

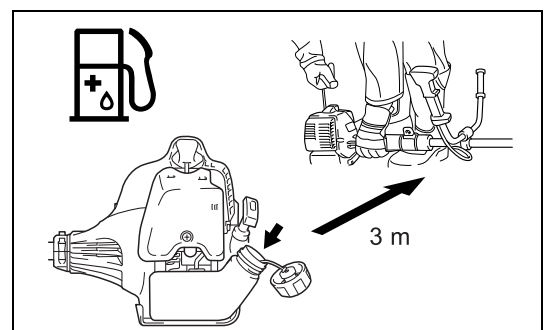
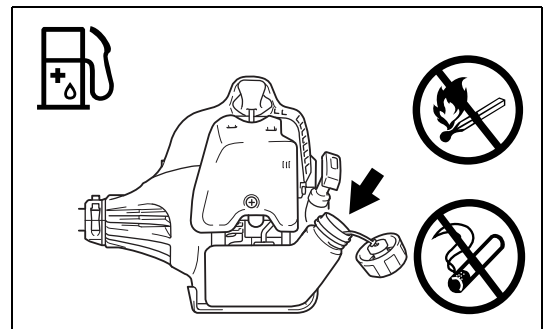
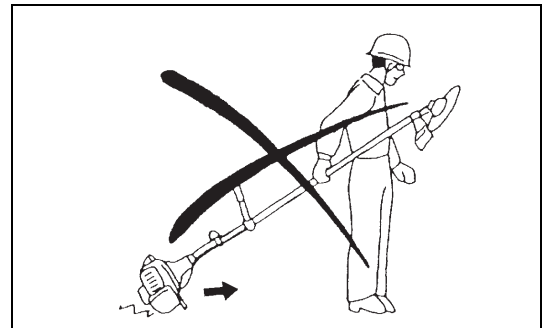
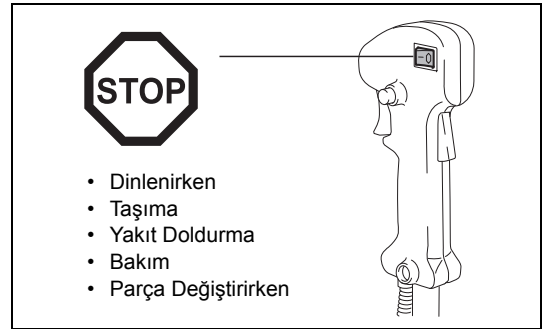
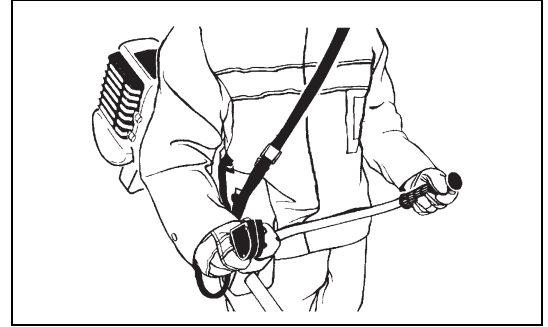
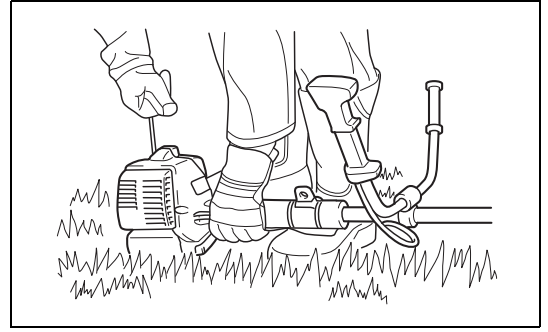
- 15 metrelik (50 fit) çalışma alanında insanların ve özellikle de çocukların bulunmadığından emin olun. Ayrıca, çalışma alanının çevresindeki hayvanlara da dikkat edin.
- Çalışmaya başlamadan önce, yan tırpanın/misinalı yan tırpanın güvenli çalıştığını kontrol edin: Kesici parçanın sağlam olduğunu, kontrol mandalının kolayca çalıştırılabildiğini ve kontrol mandalı kilidinin doğru çalıştığını kontrol edin.
- Makine rölantide çalışırken kesici parça kesinlikle dönmemelidir. Makinenin ayarlanması gerektiğini düşünüyorsanız, bayiinize danışın. Kolların temiz ve kuru olduğunu ve çalıştırma/durdurma düğmesinin işlevini doğru şekilde yerine getirdiğini kontrol edin.



- Yan tırpanı/misinalı yan tırpanı mutlaka talimatlara uygun olarak çalıştırın. Motoru çalıştırmak için başka bir yöntem kullanmayın!
- Yan tırpanı/misinalı yan tırpanı ve aletleri yalnızca belirtilen amaçlar için kullanın.
- Yan tırpanı/misinalı yan tırpanı yalnızca makine tamamen monte edildikten sonra çalıştırın. Makineyi tüm gerekli aksesuarları takılana kadar çalıştırmayın!
- Makineyi kullanmaya başlamadan önce, kesici parçanın dal, taş vb. gibi sert cisimlere temas etmediğinden emin olun, aksi takdirde çalışma sırasında kesici parça dönecektir.
- Herhangi bir motor probleminde motoru derhal kapalı konuma getirin.
- Kesici parçanın taşta veya benzeri sert bir cisme çarpması halinde, derhal motoru durdurun ve kesici parçayı kontrol edin.
- Kesici parçada hasar olup olmadığını sık ve düzenli olarak kontrol edin (tıklatma-gürültü testi kullanılarak kılcal çatlaklar tespit edilebilir).
- Yan tırpanı/misinalı yan tırpanı yalnızca omuz askısını taktıktan ve doğru uzunluğa ayarladıktan sonra çalıştırın. Omuz askısı, makinenin çalıştırılması sırasında yorgunluğun önlenmesi için mutlaka kullanıcının boyuna göre ayarlanmalıdır ve doğru şekilde sıkılmalıdır. Makineyi kesinlikle kullanım sırasında tek elle tutmayın.
- Çalıştırma sırasında yan tırpanı/misinalı yan tırpanı iki elinizle birden tutun. Daima yere sağlam ve dengeli bastığınızdan emin olun.
- Yan tırpanı/misinalı yan tırpanı egzoz gazlarını solumayacak şekilde çalıştırın. Motoru kesinlikle bir oda vb. gibi kapalı alanlarda çalıştırmayın (gaz zehirlenmesi riski). Karbon monoksit kokusuz bir gazdır.
- Dinlenirken veya yan tırpanın/misinalı yan tırpanın başından ayrılacaksanız, olası yaralanmaları ve makine hasarlarını önlemek için makineyi mutlaka kapalı konuma getirin ve makineyi güvenli bir yere kaldırın.
- Yan tırpanı/misinalı yan tırpanı sıcakken kesinlikle kuru otların veya tutuşabilir maddelerin üzerine bırakmayın.
- Kesici parça mutlaka uygun muhafaza ile donatılmış olmalıdır. Kesici parçayı kesinlikle muhafazasız çalıştırmayın!
- Makine ile birlikte verilen tüm koruyucu parçalar ve muhafazalar mutlaka makinenin çalıştırılması sırasında kullanılmalıdır.
- Egzoz susturucusu arızalıysa, makineyi kesinlikle çalıştırmayın.
- Makineyi taşıırken motoru kapalı konuma getirin.
- Makineyi taşıırken mutlaka kesici bıçağın kapağını takın.
- Yakıt kaçaklarının önlenmesi için, taşıma sırasında yan tırpanın/misinalı yan tırpanın güvenli şekilde yerleştirildiğinden emin olun.
- Yan tırpanı/misinalı yan tırpanı taşınırken, yakıt deposunun tamamen boş olduğundan emin olun.
- Yan tırpanı/misinalı yan tırpanı bir kamyonun veya benzeri bir araçtan indirirken, makinenin yere düşmesine izin vermeyin, aksi takdirde yakıt deposu ciddi şekilde hasar görebilir.
- Acil durumlar dışında yan tırpanı/misinalı yan tırpanı kesinlikle yere atmayın veya bırakmayın, aksi yan tırpan/misinalı yan tırpan ciddi şekilde hasar görebilir.
- Tüm makineyi daima yerden kaldırarak taşıyın. Makinenin yakıt deposu üzerinde sürüklenmesi son derece tehlikelidir ve yangınla sonuçlanabilecek yakıt kaçaklarına neden olabilir.
- Makine ağır bir darbe alırsa veya düşerse, çalışmaya devam etmeden önce durumunu kontrol edin. Yakıt kaçağı olup olmadığını tespit etmek için yakıt sistemini ve arıza olup olmadığını tespit etmek için kontrol ve güvenlik cihazlarını kontrol edin. Herhangi bir hasar veya şüphelendiğiniz bir durum varsa, yetkili servis merkezimize kontrol ve onarım talebinde bulunun.

Yakıt Doldurma

- Yakıt doldururken motoru kapatın, makineyi açık alevlerden uzaklaştırın ve sigara içmeyin.
- Madeni yağ ürünlerinin cildinize temas etmediğinden emin olun. Yakıt buharını solumayın. Yakıt doldururken daima koruyucu eldiven takın. Koruyucu kıyafetlerinizi düzenli aralıklarla değiştirin ve temizleyin.
- Toprağın kirlenmesini önlemek (çevrenin korunması) için, yere yakıt veya yağ dökülmemesine dikkat edin. Yakıt dökülürse, yan tırpanı/misinalı yan tırpanı derhal temizleyin.
- Kıyafetlerinize yakıt bulaşmadığından emin olun. Kıyafetlerinize yakıt bulaşırsa, olası yangın tehlikesini önlemek üzere kıyafetlerinizi derhal değiştirin.
- Yakıt kapağının sağlam şekilde kapandığından ve yakıt kaçırmadığından emin olmak için düzenli aralıklarla kontrol edin.
- Yakıt deposu kapağını dikkatlice sıkın. Yakıt doldurma işlemi tamamlandığında, makineyi çalıştırmadan önce yakıt doldurduğunuz noktadan en az 3 metre uzağa gidin.



- Kesinlikle oda vb. gibi kapalı alanlarda yakıt doldurmayın. Aksi takdirde, yakıt buharının zemin seviyesinde birikmesinden dolayı patlama meydana gelebilir.
- Yakıtları yalnızca onaylı kaplarda taşıyın ve saklayın. Saklanan yakıtta çocukların erişemeyeceğinden emin olun.

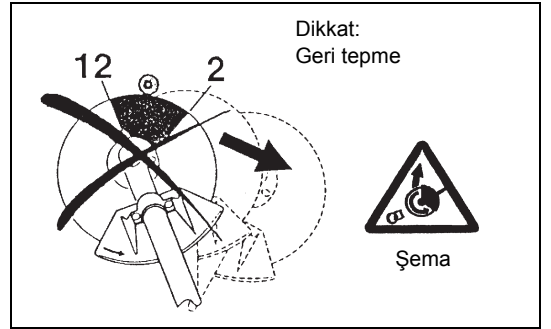
Çalıştırma yöntemi

- Yan tırpanı/misinalı yan tırpanı yalnızca iyi aydınlatılan ve görüşün açık olduğu yerlerde kullanın. Kış mevsiminde buzlu veya karlı kaplı vb. kaygan veya ıslak alanlara karşı dikkatli olun (kayma tehlikesi söz konusudur). Daima yere sağlam ve dengeli bastığınızdan emin olun.
- Asla bel hizanızın üzerinde kesim yapmayın.
- Yan tırpanı/misinalı yan tırpanı kesinlikle merdiven üzerindeyken kullanmayın.
- Yan tırpanı/misinalı yan tırpanı kullanmak üzere kesinlikle ağaçlara tırmanmayın.
- Dengesiz zeminler üzerinde kesinlikle çalışmayın.
- Çalışma alanı içerisinde bulunan kum, taş, çivi vs. gibi yabancı maddeleri temizleyin. Yabancı maddeler, kesici parçaya zarar verebilir ve tehlikeli şekilde geri tepmesine neden olabilir.
- Kesime başlamadan önce, kesici parçanın tam çalışma devrine ulaştığından emin olun.
- Kesici parça ile muhafaza arasına ot veya dal sıkışması durumunda, temizlemeye başlamadan önce mutlaka motoru durdurun. Aksi takdirde, bıçağın kazara dönmesi ciddi yaralanmalara neden olabilir.
- Yorgunluk nedeniyle kontrolünüzü kaybetmemek için düzenli olarak mola verin. Her saat başı 10 ila 20 dakika mola vermenizi öneririz.



Geri tepme (bıçağın saplanması)

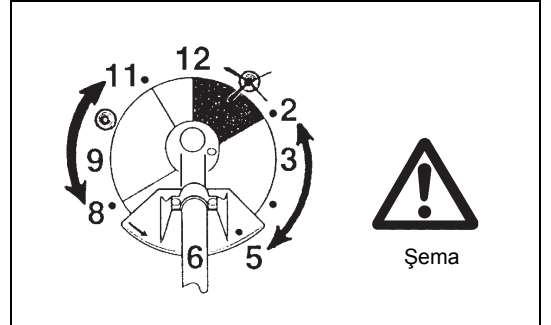
- Yan tırpanın kullanımı sırasında, kontrolsüz geri tepmeler meydana gelebilir.
- Bıçağın saat 12 ila saat 2 arasında kalan bölümüyle kesim yapmaya çalışıldığında, sık sık geri tepme meydana gelir.
- Yan tırpan bıçağının saat 12 ila saat 2 arasında kalan bölümünü kullanmayın.
- Yan tırpan bıçağının bu bölümünü kesinlikle çapı 3 cm'nin üzerindeki çalılar veya ağaçlar vb. gibi sert cisimlere uygulamayın. Aksi takdirde, yan tırpan büyük bir kuvvetle sapabilir ve bu da yaralanmalarla sonuçlanabilecek aşırı tehlikeli bir durumdur.



Geri tepmenin önlenmesi

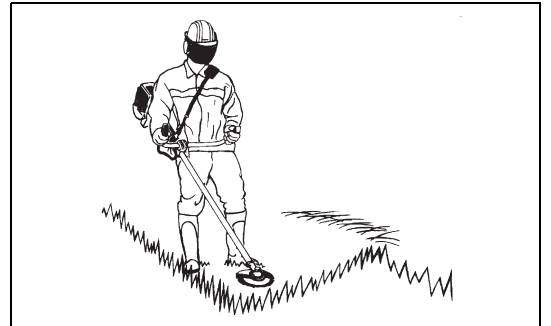
Geri tepmeleri önlemek için, şu hususlara dikkat edin:

- Bıçağın saat 12 ila saat 2 arasında kalan bölümü, özellikle de metal kesici parçalar kullanılıyorsa aşırı derecede tehlikelidir.
- Saat 11 ile saat 12 arasındaki ve saat 2 ile saat 5 arasındaki bıçak bölümüyle yapılacak kesim işlemleri mutlaka eğitimli ve deneyimli operatörler tarafından uygulanmalıdır. Bu gibi bir durumda olası riskler operatörün sorumluluğunda olacaktır. Neredeyse hiç geri tepme olmadan kolay kesim için maksimum kesim bölgesi, bıçağın saat 8 ila saat 11 arasında kalan bölümüdür.



Kesici Parçalar

- İlgili iş için uygun bir kesici parça kullanın. Misinalı kesim başlıkları (misinalı yan tırpan başlıkları), biçilmiş çimlerin tırpanlanması için uygundur. Metal bıçaklar ise yabani otların, yüksek çimlerin, çalılıarın, fundaların, ağaç altındaki küçük bitkilerin vb. kesilmesi için uygundur. Çok parçalı metal hareketli zincirler ve dövme bıçakları da dahil kesinlikle başka bir bıçak kullanmayın. Aksi takdirde, ciddi yaralanmalar meydana gelebilir.
- Metal bıçaklar kullanırken, "geri tepme" oluşmasını engelleyin ve daima kazara meydana gelebilecek geri tepmelere karşı hazırlıklı olun. "Geri tepme" ve "Geri tepmenin önlenmesi" bölümlerine bakın.



Bakım talimatları

- Makinenizin servisinin daima yetkili servis merkezimizde yalnızca orijinal yedek parçalar kullanılarak yapılmasını sağlayın. Yanlış onarımlar ve bakım makinenin ömrünün kısalmasına ve kaza risklerinin artmasına yol açabilir.
- Çalışmaya başlamadan önce kesici parçanın durumunu, özellikle de kesici parça koruyucu cihazlarını ve omuz askısını kontrol edin. Özellikle kesici bıçakların doğru şekilde bilendiğini dikkatlice kontrol edilmelidir.
- Kesici parçaları değiştirirken, bilerken veya temizlerken mutlaka motoru durdurun ve buji konektörünü çıkartın.

Hasarlı kesici parçaları kesinlikle düzleştirmeye çalışmayın veya kaynak yapmayın.

- Yan tırpanı/misinalı yan tırpanı mümkün olduğunca gürültüsüz ve temiz bir şekilde çalıştırın. Özellikle, karbüratörün doğru şekilde ayarlandığını kontrol edin.
- Yan tırpanı/misinalı yan tırpanı düzenli aralıklarla temizleyin ve tüm vida ve somunlarının sağlam şekilde sıkıldığından emin olun.
- Yan tırpanı/misinalı yan tırpanı kesinlikle çıplak alevlerin yakınında muhafaza etmeyin veya bakım ve servis işlemlerini bu tip yerlerde gerçekleştirmeyin.
- Yan tırpanı/misinalı yan tırpanı daima yakıt deposu boşaltıldıktan sonra kilitli odalarda muhafaza edin.
- Makinenin taşınması, servisi ve muhafaza edilmesi sırasında mutlaka kesici bıçağın kapağını takın.

İlgili ticaret birlikleri ve sigorta şirketleri tarafından belirtilen kaza önleme talimatlarını dikkate alın.

Güvenliğinizi tehlikeye atabileceğinden, yan tırpan/misinalı yan tırpan üzerinde kesinlikle değişiklik yapmayın.

Kullanıcı tarafından gerçekleştirilecek bakım veya onarım çalışmaları yalnızca bu kullanım kılavuzunda açıklanan işlemlerle sınırlıdır. Diğer tüm çalışmalar Yetkili Servis Personeli tarafından gerçekleştirilecektir. Yalnızca MAKITA tarafından üretilen ve tedarik edilen orijinal yedek parçaları ve aksesuarları kullanın.

Onaylı olmayan aksesuarların ve aletlerin kullanılması kaza riskini artırır. MAKITA, onaylanmamış kesici parçaların kullanımından ve cihaz, kesici parça veya aksesuarların takılmasından kaynaklanabilecek kaza ve hasarlardan dolayı sorumluluk kabul etmeyecektir.

İlk Yardım

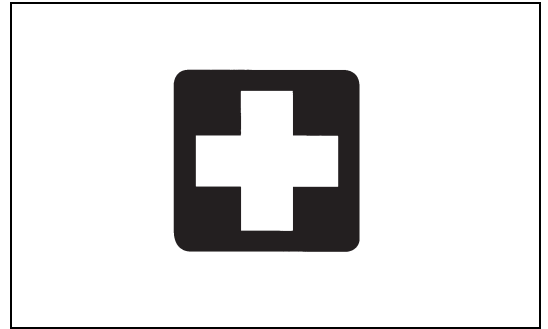
Bir kaza durumuna karşı ilk yardım çantasının kesim çalışmasının yapıldığı yere yakın olduğundan emin olun. İlk yardım kutusundan bir şey alındığında derhal yerine yenisini koyun.

Yardım isterken, lütfen şu bilgileri verin:

- Kazanın yeri
- Ne olduğu
- Yaralı kişi sayısı
- Yaralanma tipi
- Adınız

Titreşim

- Kan dolaşımı zayıf olan kişilerin aşırı titreşime maruz kalması, damarların veya sinir sisteminin zarar görmesine yol açabilir. Titreşim parmaklarda, ellerde ve bileklerde şu semptomlara neden olabilir: "Uyuşma" (hissizlik), karıncalanma, ağrı, batma hissi, cilt renginin veya cildin değişmesi. Bu semptomlardan herhangi biri ortaya çıkarsa, doktora başvurun!
- "Beyaz parmak hastalığı" riskini düşürmek için, çalışma sırasında ellerinizi sıcak tutun ve makine ve aksesuarlarının bakımını gerektiği şekilde yapın.



Yalnızca Avrupa ülkeleri için

AT Uygunluk Beyanı

Makita Corporation, sorumlu üretici firma olarak, Makita marka makine/makineler ile ilgili şu hususları beyan eder:

Makinenin Adı: Yan Tırpan/Misinalı Yan Tırpan

Model Numarası/Tipi: EM2600U, EM2600L

Teknik Özellikler: bkz. "TEKNİK VERİLER" tablosu

seri üretimdir ve

Şu Avrupa Yönergelerine uygundur:

2000/14/EC, 2006/42/EC, 2004/108/EC

Ve şu standartlara veya standartlaştırılmış belgelere uygun olarak üretilmiştir:

EN ISO 11806-1, EN ISO 14982

Teknik dokümanlar şu firma tarafından saklanmaktadır:

Makita International Europe Ltd., Technical Department,

Michigan Drive, Tongwell, Milton Keynes, Bucks MK15 8JD, İngiltere

2000/14/EC sayılı Direktif tarafından istenen uygunluk değerlendirme prosedürü, Ek V'e uygundur.

Ölçülen Ses Gücü Düzeyi (çim tırpanı olarak kullanıldığında): 109,77 dB

Ölçülen Ses Gücü Düzeyi (yan tırpan olarak kullanıldığında): 107,29 dB

Garanti Edilen Ses Gücü Düzeyi: 112 dB

15. 4. 2013

A handwritten signature in black ink, appearing to read 'Tomoyasu Kato'.

Tomoyasu Kato
Müdür

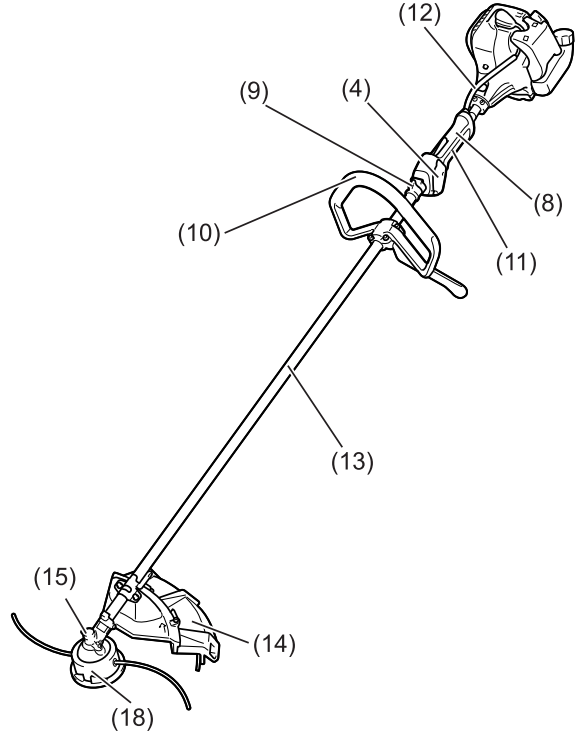
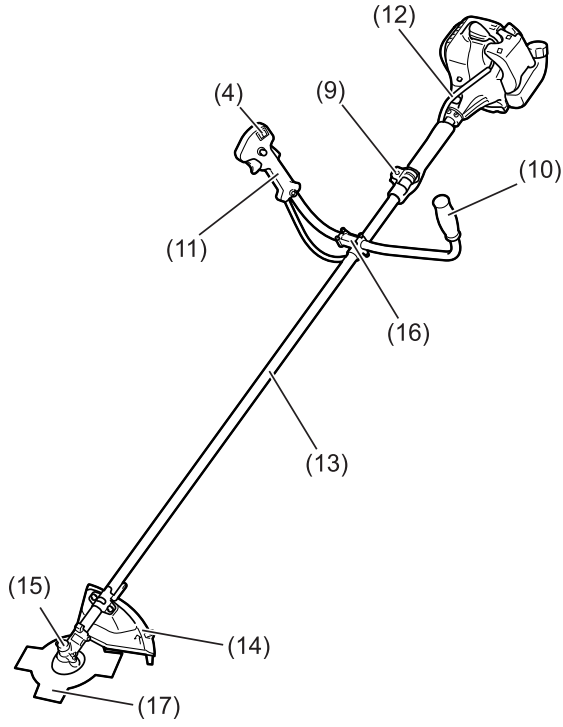
Makita Corporation
3-11-8, Sumiyoshi-cho,
Anjo, Aichi, JAPAN

Teknik veriler

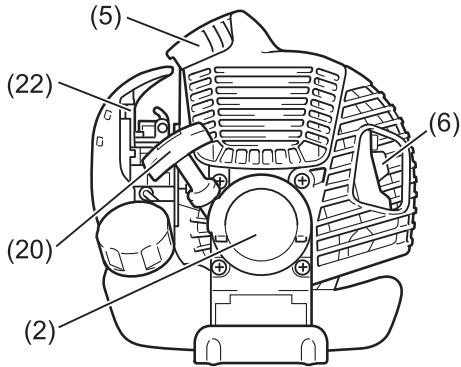
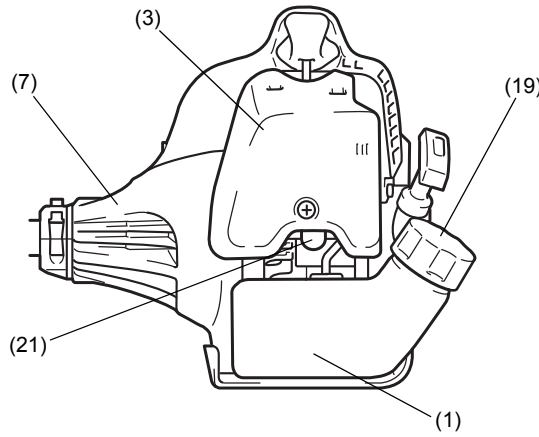
Model		EM2600U	EM2600L
		U kol	Yuvarlak kol
Boyutlar: uzunluk x genişlik x yükseklik (kesici bıçak olmadan)		1.770 x 610 x 410 mm	1.770 x 330 x 185 mm
Net Ağırlık		5 kg	5 kg
Motor hacmi		25,7 cm ³	
Maksimum motor performansı		0,83 kW	
Milin maksimum dönüş frekansı		8.800 dak ⁻¹	
Kesici ataşman	Tek parça metal bıçak	φ230 mm	
	Misinalı yan tırpan başlığı	φ430 mm	
Rölanti devri		3.000/dak	
Kavrama devri		4.100/dak	
Dişli oranı		14/19	
Yakıt		Yakıt karışımı Benzin: İki Zamanlı Motor Yağı = 50:1	
Hacim (yakıt deposu)		0,6 L	
Karbüratör		WALBRO WYC	
Buji		NGK BPMR7A	
Elektrot boşluğu		0,6 - 0,7 mm	
Titreşim: (Yalnızca yan tırpan için)	Sol kol (Ön kavrama)	14,680 m/s ² K = 1,5 m/s ²	5,152 m/s ² K = 1,5 m/n ²
	Sağ kol (Arka kavrama)	9,037 m/s ² K = 1,5 m/s ²	9,677 m/s ² K = 1,5 m/s ²
Titreşim: (Yalnızca çim tırpanı için)	Sol kol (Ön kavrama)	7,961 m/s ² K = 1,5 m/s ²	8,83 m/s ² K = 1,5 m/s ²
	Sağ kol (Ön kavrama)	7,019 m/s ² K = 1,5 m/s ²	14,381 m/s ² K = 1,5 m/s ²
Gürültü (2000/14/EC & 2005/88/EC uyarınca test edilmiştir):			
Operatörün konumunda ses basıncı düzeyi (Çim tırpan):		98,52 dB (A) K = 2,5 dB (A)	
Operatörün konumunda ses basıncı düzeyi (Yan tırpan):		96,15 dB (A) K = 2,5 dB (A)	
Ölçülen ses gücü düzeyi (Çim tırpan):		109,77 dB (A) K = 2,5 dB (A)	
Ölçülen ses gücü düzeyi (Yan tırpan):		107,29 dB (A) K = 2,5 dB (A)	
Gürültü (2000/14/EC & 2005/88/EC uyarınca test edilmiştir): garanti edilen ses gücü seviyeleri		112 dB (A)	

Parça adları

EM2600U U Kol Tipi



EM2600L Yuvarlak Kol Tipi



	Parça adları
1	Yakıt Deposu
2	Manüel Marş
3	Hava Temizleyici
4	I-Durdurma düğmesi (açma/kapama)/ Başlatma/Durdurma düğmesi
5	Buji
6	Egzoz Susturucusu
7	Kavrama Kutusu
8	Arka Kavrama
9	Kanca
10	Kol
11	Kontrol Mandalı
12	Kontrol Kablosu
13	Şaft
14	Koruyucu (Kesici parça muhafazası)
15	Dişli Kutusu
16	Kol Yuvası
17	Kesici Bıçak
18	Misinalı Kesim Başlığı
19	Yakıt Doldurma Kapağı
20	Marş Düğmesi
21	Ana Pompa
22	Jikle Kolu

Kolun takılması

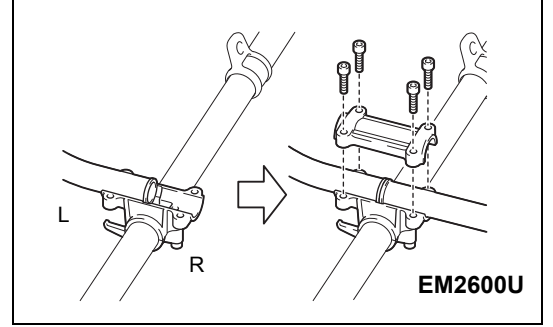
DİKKAT: Yan tırpan üzerinde herhangi bir çalışma yapmadan önce, mutlaka motoru durdurun ve buji üzerindeki buji konektörünü çıkartın. Daima koruyucu eldiven takın!

DİKKAT: Çalıştırmadan önce yan tırpanın tam olarak monte edildiğinden emin olun.

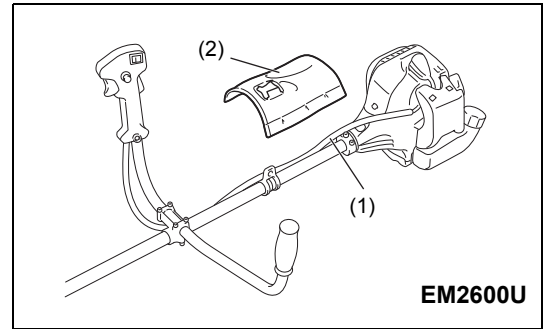


U kol modelleri için

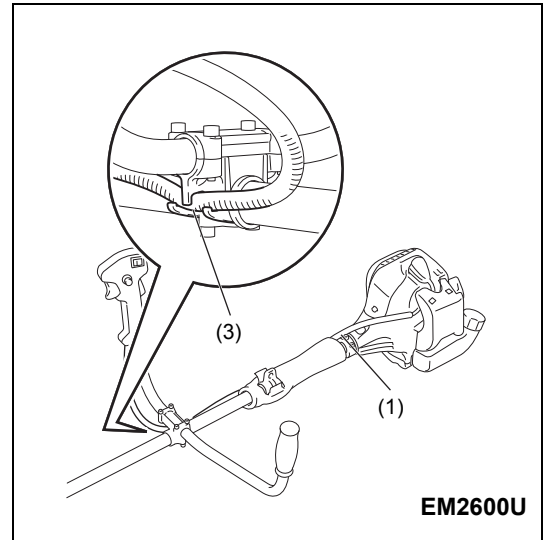
- İki kolu da kol yuvasına yerleştirin. Kontrol mandalı, kesici parçaya doğru bakıldığında mutlaka sağ tarafa gelmelidir.
- Kol uçlarını kol yuvasındaki oluklara takın ve üzerine kelepçeyi takın. Bunları ayar için dört adet civatayla gevşek şekilde sıkın.
- Kolların açını ayarlayın ve ardından tüm civataları bir Alyan anahtarıyla eşit şekilde sıkın.



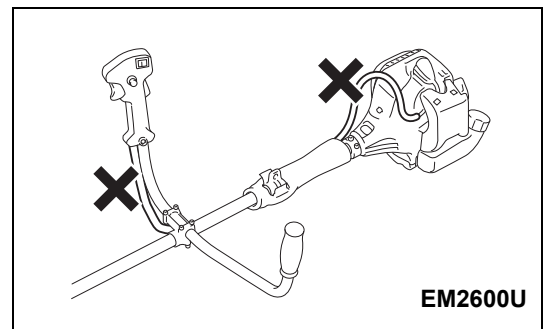
- Gaz kablosunu (1) şaftın kontrol mandalı tarafına yerleştirin. Ardından, etrafına bel yastığını (2) sarın.



- Gaz kablosunu (1) kol yuvasının sıkıştırma boşluğuna (3) yerleştirin.
- Gaz kablosunun gösterildiği şekilde yerleştirildiğinden emin olun.
- Kontrol mandalını çalıştırın ve sorunsuz çalıştığından emin olun.

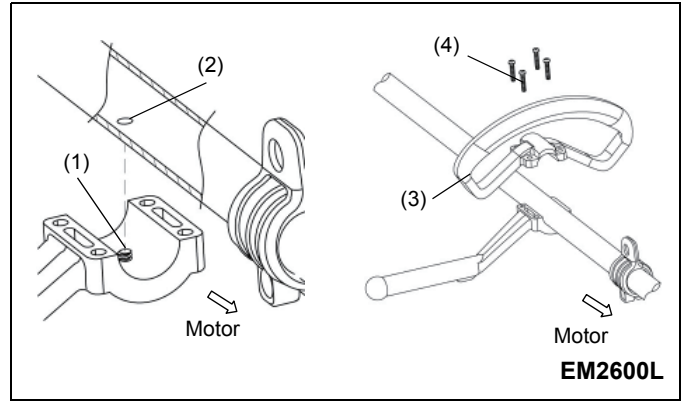


DİKKAT: Gaz kablosunu gösterildiği şekilde yerleştirmeyin. Aksi takdirde, kıvrılan kablo yüksek rölanti devrine neden olabilir ve kontrolsüz bıçak nedeniyle yaralanmalar meydana gelebilir.



Yuvarlak kollu modeller için

- Kol yuvasının dişli tarafını (1) tüp üzerindeki konum deliğine (2) yerleştirin.
- Yardımcı kolu (3) bariyer üzerine sabitleyin.
- 4 adet M5 x 30 civatayı (4) sıkın.

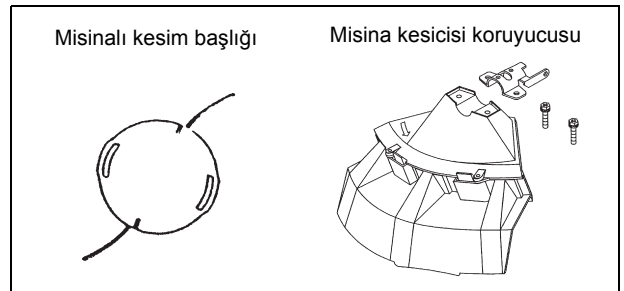
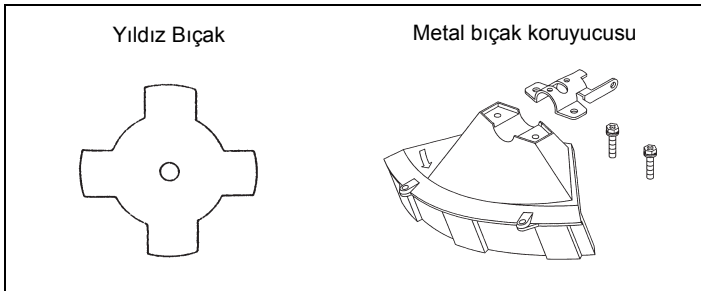


Koruyucunun takılması

İlgili güvenlik standartlarının karşılanması için, yalnızca tabloda belirtilen kesici parça/koruyucu kombinasyonlarını kullanın.

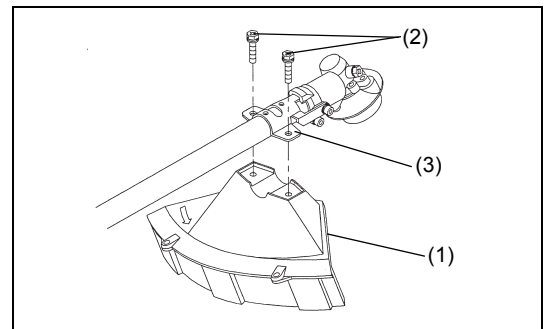
Yalnızca orijinal MAKITA kesici bıçaklarını/misinalı kesim başlıklarını kullanın.

- Kesici bıçak mutlaka doğru şekilde yerleştirilmeli ve çatlak veya kırık içermemelidir. Kesici bıçak çalışma sırasında taşa çarparsa, derhal motoru durdurun ve bıçağı kontrol edin.
- Her üç saatlik çalışma sonrasında kesici bıçağı düzeltin veya değiştirin.
- Misinalı kesim başlığı çalışma sırasında taşa çarparsa, derhal motoru durdurun ve misinalı kesim başlığını kontrol edin.

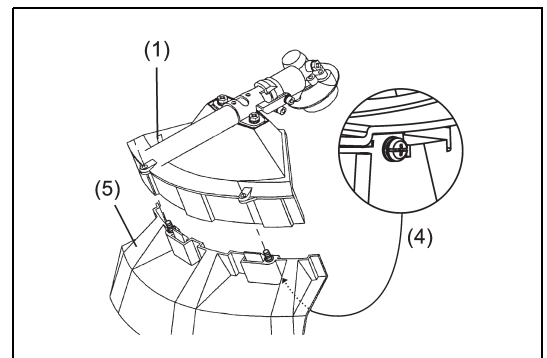


DİKKAT: Kaza önleme yönetmeliklerinin yerine getirilmesi ve kendi güvenliğiniz için mutlaka uygun koruyucular takılmalıdır. Makinenin muhafazaları takılmadan çalıştırılması yasaktır.

- Koruyucuyu (1) iki adet M6 x 30 civata (2) ile kelepçeye (3) sabitleyin.



- Misinalı kesim başlığını kullanırken koruyucuyu (5) diğer koruyucuya (1) takın ve iki adet vida (4) yardımıyla birbirine sabitleyin.

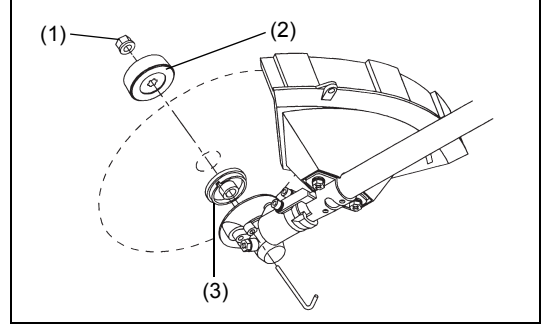


Kesici bıçağın/misinalı kesim başlığının takılması

Kesici bıçak veya misinalı kesim başlığı öncelikle makinenin baş aşağı çevrilmesi durumunda daha kolay değiştirilebilir.



- Alyan anahtarını dişli kutusundaki delikten sokun ve Alyan anahtarıyla alıcı pulu (3) kilitlemeye kadar çevirin.
- Somunu/yaylı pulu (1) (sol tarafı dişlidir) lokma anahtarıyla gevşetin ve somunu/yaylı pulu (1) ve kelepçe pulunu (2) çıkartın.

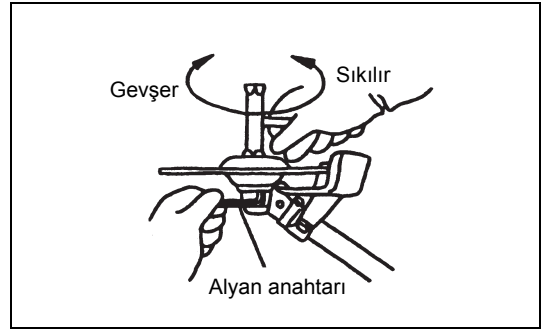


Alyan anahtarıyla yerine sabitleyin

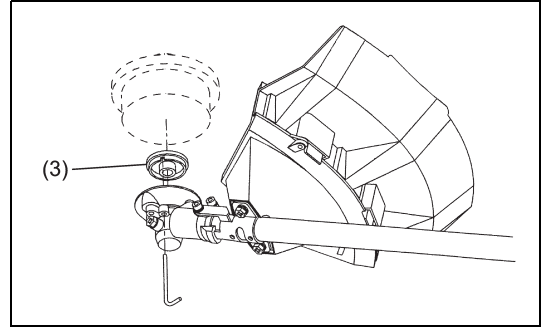
- Kesici bıçağı, alıcı pulun (3) çıkıntılı kısmı kesici bıçak üzerindeki deliğe tam olarak oturacak şekilde şafta takın. Kelepçe pulunu (2) takın ve somunu/yaylı pulu (1) sıkarak kesici bıçağı sabitleyin.
[Sıkma torku: 13 - 23 N-m]

NOT: Kesici bıçağı tutarken mutlaka eldiven takın.

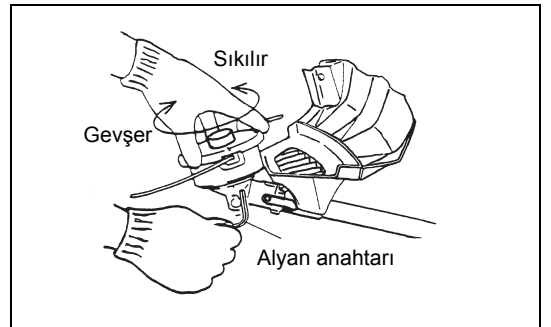
NOT: Kesici bıçak tespit somununun (ve yaylı pulun) belirli bir kullanım ömrü vardır. Yaylı pul üzerinde herhangi bir aşınma veya deformasyon tespit ederseniz, somunu değiştirin.



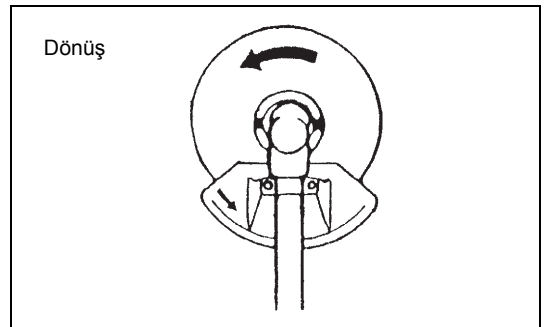
NOT: Misinalı kesim başlığının takılması için, kelepçe puluna (2) ve somuna/yaylı pula (1) gerek yoktur. Misinalı kesim başlığı, alıcı pulu (3) üzerine gelmelidir.



- Misinalı kesim başlığını şafta vidalayın.



- Bıçağın saat yönünün tersine döndüğünden emin olun.



Kullanılabilir Yakıtlar/Yakıt Doldurma



Yakıtın taşınması

Yakıt kullanımını sırasında çok dikkatli olunmalıdır. Yakıtlar, çözücülere benzer maddeler içerebilir. Yakıt doldurma işlemini iyi havalandırılan bir odada veya dışarıda gerçekleştirin. Yakıt buharını solumayın ve yakıtın veya yağın cildinize temas etmesine izin vermeyin.

Madeni yağ ürünleri cildinizi tahriş eder. Bu ürünlerin cildinize sürekli olarak temas etmesi, cildinizin aşırı şekilde kurumasına ve neticesinde çeşitli cilt hastalıklarına neden olabilir. Ayrıca, alerjik reaksiyonlar görülebilir.

Yağ temas etmesi halinde gözde tahriş meydana gelebilir. Yağın gözlerinize temas etmesi halinde, gözlerinizi derhal temiz suyla yıkayın. Gözlerinizdeki tahriş devam ederse, derhal bir doktora başvurun.



165. sayfadaki Güvenlik Talimatlarını dikkate alın.

Yakıt ve yağ karışımı

Yan tırpan motoru yüksek verimli bir iki zamanlı motordur. Yakıt ve iki zamanlı motor yağı karışımı kullanılır. Motor minimum oktan değeri 91 RON olan kurşunsuz normal benzin için tasarlanmıştır.

Optimum motor performansı elde edilmesi ve sağlığınızın ve çevrenin korunması için, yalnızca kurşunsuz yakıt kullanılmalıdır!

Motorun yağlanması için, yakıtta iki zamanlı motor yağı (kalite derecesi: JASO FC veya ISO EGD) ekleyin. Motor, çevrenin korunması için yalnızca belirtilen iki zamanlı motor yağı ve 50:1 karışım oranıyla kullanım için tasarlanmıştır.

Ayrıca, bu karışım oranının kullanılması durumunda uzun kullanım ömrü ve güvenli çalışma ve minimum emisyonlar garanti edilir. 50:1 (belirtilen 2 zamanlı motor yağı) karışım oranına katı şekilde uyulmaması durumunda, yan tırpanın güvenli çalışması garanti edilemez.



Doğru karışım oranı:

Benzin: Belirtilen iki zamanlı motor yağı = 50 : 1 veya

Benzin: Diğer üreticilerin iki zamanlı motor yağları = 25 : 1 önerilir

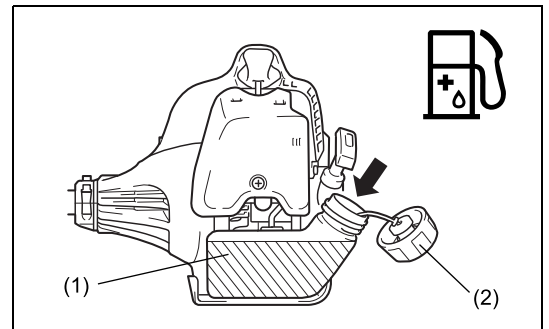
NOT: Yakıt-yağ karışımının hazırlanması için, tüm yağı gerekli yakıt miktarının yarısıyla karıştırın ve ardından yakıtın diğer yarısını ilave edin. Yan tırpanın deposuna doldurmadan önce karışımı iyice karıştırın. Güvenli çalışmayı garanti etmek için, belirtilen miktardan fazla motor yağı eklemeyin. Daha fazla motor yağı eklenmesi yalnızca çevrenin kirlenmesine yol açan yanma artıklarını artırır ve silindirdeki egzoz kanalının ve susturucunun tıkanmasına yol açar. Ayrıca, yakıt tüketimi artarken, performans düşer.

Benzin	50:1	25:1
	+	
1.000 cm ³ (1 litre) 5.000 cm ³ (5 litre) 10.000 cm ³ (10 litre)	20 cm ³ 100 cm ³ 200 cm ³	40 cm ³ 200 cm ³ 400 cm ³

Yakıt Doldurma

Motor mutlaka kapalı durumda olmalıdır.

- Yakıt deposuna (1) pislik girmesini önlemek için, yakıt doldurma kapağının (2) etrafındaki alanı iyice temizleyin.
- Yakıt doldurma kapağını (2) çıkartın ve depoya yakıt doldurun.
- Yakıt doldurma kapağını (2) sağlam şekilde sıkın.
- Yakıt doldurduktan sonra, yakıt doldurma kapağını (2) ve depoyu dıştan temizleyin.



Yakıtın Saklanması

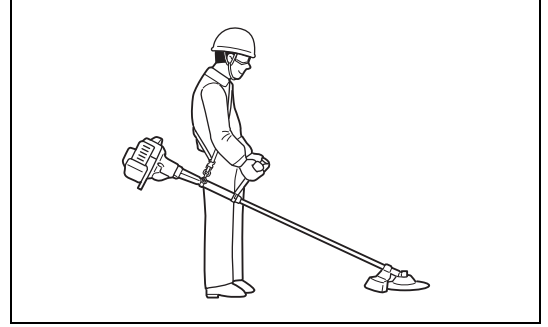
Yakıt sınırsız süre saklanamaz.

Yalnızca 4 haftalık çalışma için gerekli miktarda yakıt satın alın. Yalnızca onaylı yakıt saklama kaplarını kullanın.

Doğru kullanım

Omuz askısının takılması

- Askı uzunluğunu, kesici bıçak zemine paralel duracak şekilde ayarlayın.

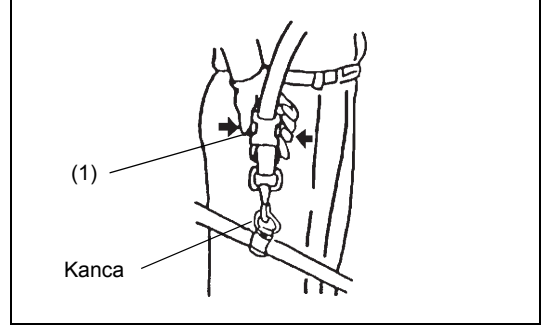


Makinenin çıkartılması

- Acil bir durumda, her iki taraftaki tırnaklara (1) bastırın ve makineyi çıkartın. Bu sırada makinenin kontrolünü kaybetmemek için çok dikkatli olun.

Makinenin size veya çevredeki insanlara doğru savrulmasına izin vermeyin. UYARI: Makinenin tam olarak kontrol edilememesi halinde, ciddi yaralanmalar ve hatta ÖLÜMLÜ kazalar meydana gelebilir.

Not: Bazı ülkelerde omuz askısı bu ayırma işlevine sahip değildir.



Önemli çalıştırma hususları/kesicinin/yan tırpanın durdurulması

İlgili kaza önleme yönetmeliklerini dikkate alın.



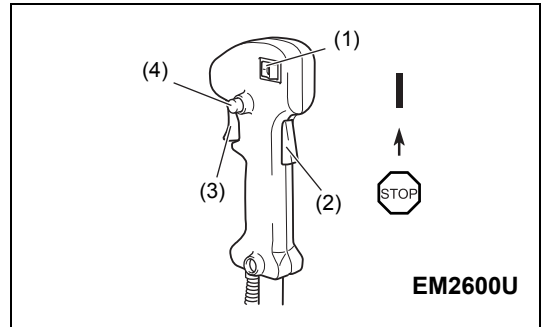
Başlatma

Makineye yakıt doldurduğunuz noktadan en az 3 metre uzağa gidin. Yan tırpanı temiz bir zemine yerleştirin. Kesici parçanın zeminle veya diğer nesnelere temas etmediğinden emin olun.

UYARI: Kesici parçanın motor çalıştırılır çalıştırılmaz dönmeye başlayacağına dikkat edin.

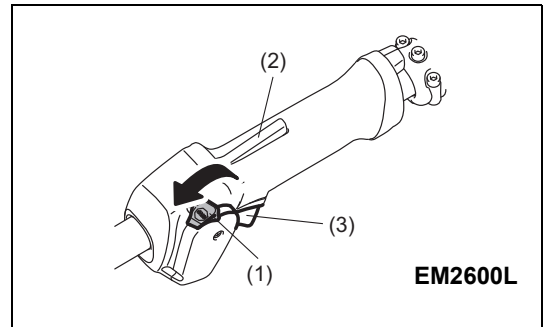
U kol modelleri için soğuk başlatma

- I-Durdurma düğmesini (açma/kapama) (1) şekilde gösterildiği şekilde ayarlayın.
- Kolu kavrayın (kol basıncı, emniyet kilit açma mandalını (2) devreye sokar).
- Gaz mandalına (3) bastırın ve o konumda tutun.
- Kilit düğmesine (4) basın, kontrol mandalını serbest bırakın ve ardından kilit düğmesini serbest bırakın (kilit düğmesi, gaz mandalını başlatma konumunda tutar).



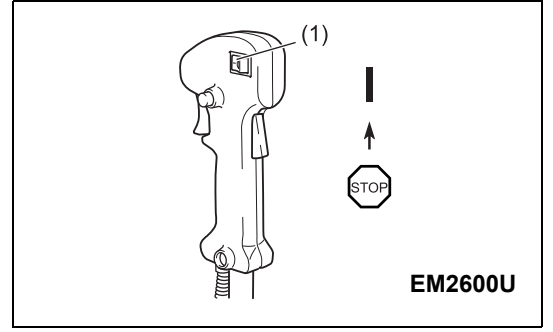
Yuvarlak kol modelleri için soğuk başlatma

- Başlatma/Durdurma düğmesini (1) şekilde gösterildiği gibi başlatma konumuna getirin.
- Kolu kavrayın (kol basıncı, emniyet kilit açma mandalını (2) devreye sokar).
- Gaz mandalına (3) bastırın ve o konumda tutun.
- Başlatma/Durdurma düğmesini (1) başlangıç konumuna getirin ve kontrol mandalını bırakın ve ardından Başlatma/Durdurma düğmesini (Başlatma/Durdurma düğmesi, gaz mandalını başlangıç konumunda tutar) serbest bırakın.



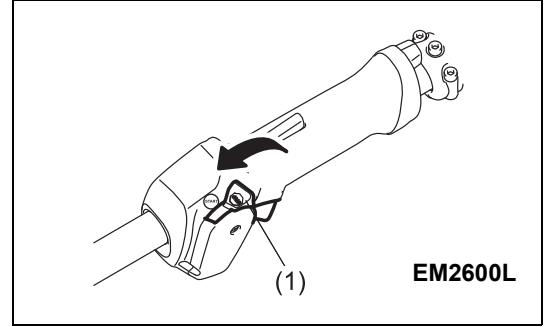
U kol modelleri için sıcak başlatma

- I-Durdurma düğmesini (açma/kapama) (1) şekilde gösterildiği şekilde ayarlayın.

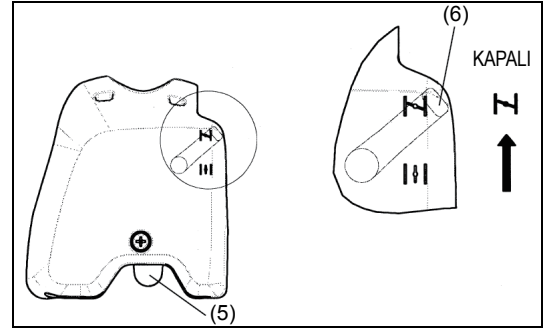


Yuvarlak kol modelleri için sıcak başlatma

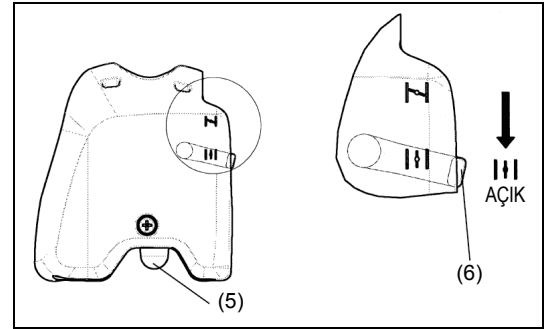
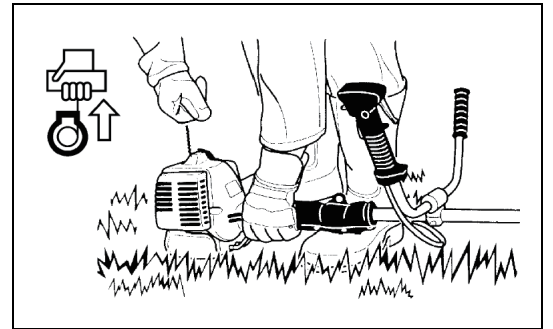
- Başlatma/Durdurma düğmesini (1) şekilde gösterildiği gibi boşta konumuna getirin.



- Öncelikle makineyi yere koyun.
- Yakıt, ana pompaya gelene kadar ana pompayı (5) yavaşça arka arkaya (7 ila 10 defa) çalıştırın.
- Jikle kolunu (6) kapatın.
 - Jikle açıklığı:
 - Düşük sıcaklıklarda veya motor soğukken tam kapalı
 - Motor hala sıcakken yeniden çalıştırıldığında tam veya yarı açık



- Kavrama kutusunu şekilde gösterildiği gibi sol elinizle sıkıca tutun.
- Marş kavramasını hafif bir direnç hissedinceye kadar yavaşça çekin ve ardından sertçe çekin.
- Marş ipini sonuna kadar çekmeyin ve marş kolunun kendi kendine geri çekilmesine izin vermeyin. Marş ipinin kontrolünü bırakmayın ve yavaş şekilde geri çekilmesini sağlayın.
- Başlatma çalıştırmasını motorda ilk ateşlemeleri duyana kadar tekrarlayın.
- Jikle kolunu (6) (I | I) bastırın ve motor çalışıncaya kadar marş ipini çekin.
- Motor çalışır çalışmaz gaz mandalına basarak bırakın ve ardından yarım gaz mandalı kilidini serbest bırakın, böylece motor rölantide çalışabilecektir.
- Motoru tam devirde kullanmaya başlamadan önce yaklaşık bir dakika boyunca orta devirde çalıştırın.



- NOT: - Jikle kolu "I | I" konumundayken marş kolunun tekrar tekrar çekilmesi halinde, motor aşırı yakıt çekilmesi nedeniyle kolay çalıştırılmaz.
- Aşırı yakıt çekilmesi durumunda, bujiyi çıkartın ve fazla yakıtı boşaltmak için marş kolunu yavaşça çekin. Ayrıca, bujinin elektrot bölümünü kurutun.

Çalıştırma sırasında dikkat edin:

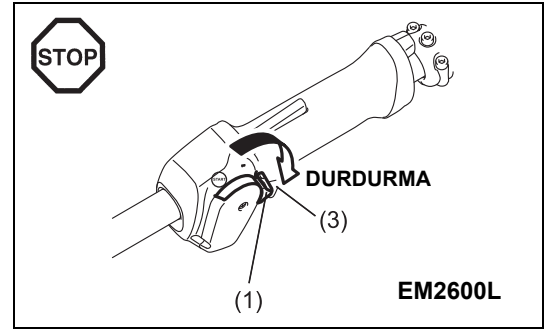
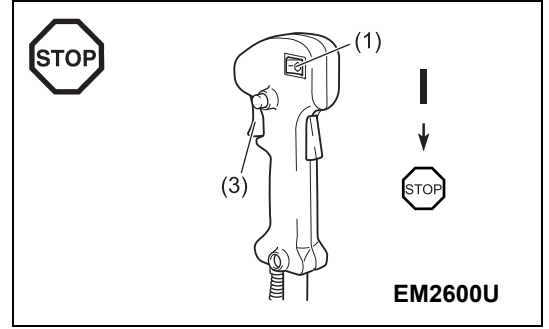
Gaz mandalı yüksüz çalışma sırasında tamamen açılmazsa, motor devri 10.000 dak⁻¹ değerinin üzerine yükselir. Motoru kesinlikle gerekenden daha yüksek bir devirde çalıştırmayın ve devri yaklaşık 6.000 - 8.000 dak⁻¹ aralığında tutun.

DİKKAT: Makine kullanılmıyorken daima motor devrini düşürün.

Makine kullanılmıyorken yüksek devirlerde çalıştırılırsa, makinenin kullanım ömrü kısalmır.

Durdurma

- Gaz mandalını (3) tamamen bırakın ve motor devri/dak değeri düştüğünde I-Durdurma düğmesini (açma/kapama)/Başlatma/Durdurma Düğmesini (1) "DURDURMA" (STOP) konumuna getirin.
- Kesim başlığının hemen durmayabileceğine dikkat edin ve daima kendi kendine yavaşlamasını ve tamamen durmasını bekleyin.



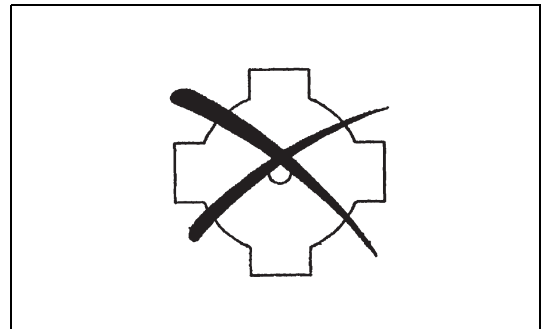
Kesici parçanın bilenmesi

DİKKAT: Aşağıda belirtilen kesici parçalar yalnızca yetkili firma tarafından bilenmelidir. Yetkili olmayan kişilerce yapılan bileme işlemleri, kesici parçanın dengesiz çalışmasına ve dolayısıyla makine titreşimlerine ve hasarlarına neden olabilir.

- kesici bıçak (yıldız bıçak (4 dişli))

Yetkili Servis Merkezleri tarafından uzman bir bileme ve dengeleme hizmeti sunulmaktadır.

NOT: Kullanım ömrünün daha uzun olması için, kesici bıçak (yıldız bıçak) her iki kesici kenarı da eşit şekilde körleşecek şekilde bir kere ters çevrilebilir.



MİSİNALI KESİM BAŞLIĞI

Misinalı kesim başlığı, çarpa & besleme mekanizmasına sahip bir çift hatlı tırpan başlığıdır.

Misinalı kesim başlığı, misinayı tırpan başlığı yere çarpıldığında besler.

Çalıştırma

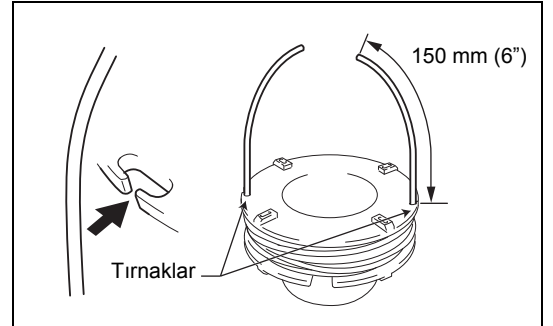
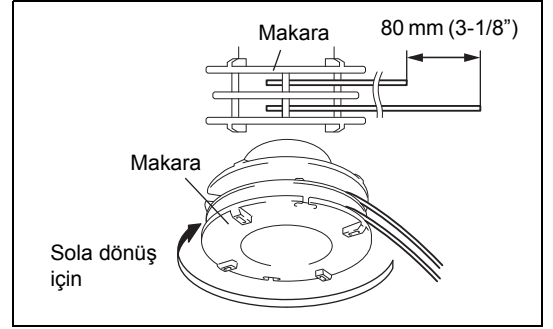
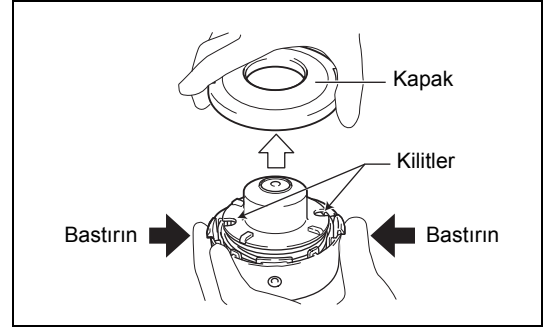
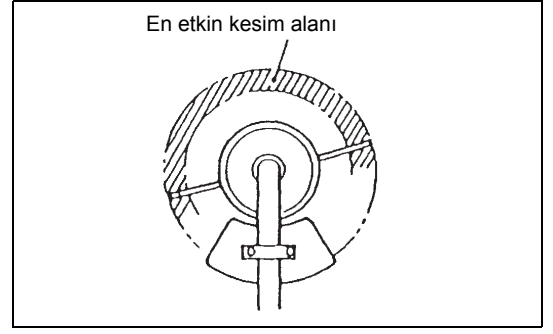
- En etkili kesim alanı taralı olarak gösterilmiştir.
- Misina beslemek için, misinalı kesim başlığının devrini yaklaşık 6.000 dak⁻¹ değerine yükseltin ve misinalı kesim başlığını hafifçe yere çarpın.
- Misinalı kesim başlığı çarpma yöntemiyle besleme yapmazsa, "Misinanın değiştirilmesi" bölümünde açıklanan prosedürleri takip ederek misinayı geri sarın/değiştirin.

Misinanın değiştirilmesi

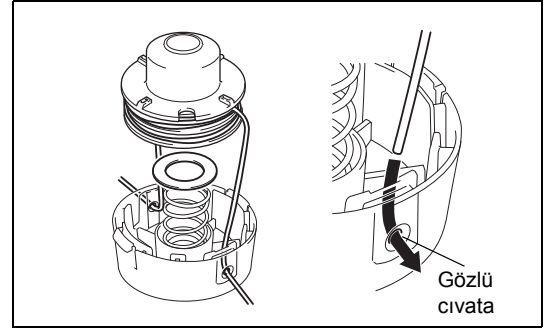
- Motoru durdurun.
- Kapağı kaldırmak için muhafaza kilitlerini içe doğru bastırın ve ardından makarayı çıkartın.

- Yeni misina merkezini, misinanın bir ucu diğer ucuna göre yaklaşık 80 mm (3-1/8") daha uzun olacak şekilde makaranın merkezindeki tırnağa geçirin. Ardından, her iki ucu başlık dönüş yönünde makara etrafına sıkıca sarın (makaranın yanındaki LH işareti sola dönüşü ve RH işareti sağa dönüşü gösterir).

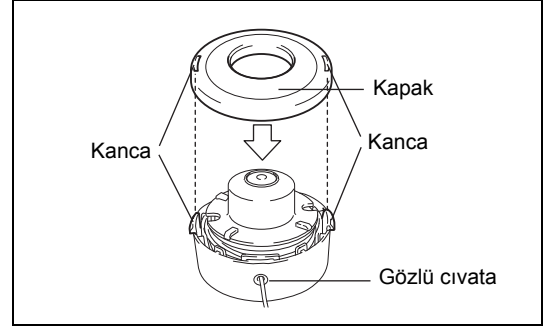
- 150 mm (6") kalana kadar misinanın tamamını makara etrafına sarın ve bu sırada misina uçlarının geçici olarak makaranın kenarındaki tırnakta takılı kalmasını sağlayın.



- Misinayı muhafazadan çıkacak şekilde gözlü civatalardan geçirin. Pulu, yayı ve makarayı muhafazaya takın.



- Kapak ve muhafaza üzerindeki kancaları hizalayın. Ardından, kapağı sabitlemek üzere sağlamca muhafaza üzerine bastırın.



Servis talimatları

Servis talimatları

DİKKAT: Yan tırpan üzerinde herhangi bir bakım çalışması yapmadan önce, mutlaka motoru durdurun ve buji üzerindeki buji kapağını çıkartın (bkz. "Bujinin kontrolü").

Daima koruyucu eldiven takın.

DİKKAT: Kesinlikle geri sarmalı marjı kendiniz sökmeye çalışmayın. Aksi takdirde, kazalar meydana gelebilir. Bu prosedür yalnızca Yetkili Servis Merkezleri tarafından yapılmalıdır.

Uzun bir kullanım ömrünün garanti edilmesi ve makine hasarlarının önlenmesi için, aşağıda açıklanan bakım çalışmalarını düzenli olarak gerçekleştirin.

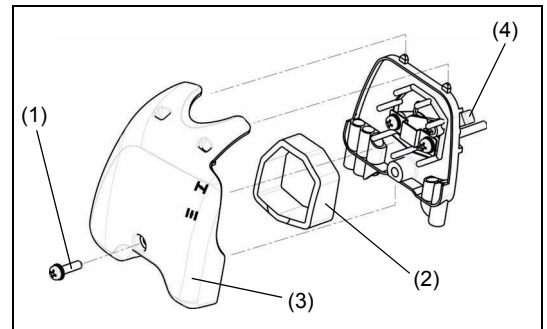
Günlük kontrol ve bakımlar

- Çalışmaya başlamadan önce, makinede gevşek vida veya eksik parça olup olmadığını kontrol edin. Özellikle, kesici bıçak veya misinali kesim başlığının doğru şekilde sıkılmasına dikkat edin.
- Çalıştırmadan önce, daima soğutma havası geçişinin ve silindir kanatlarının tıkalı olmadığını kontrol edin. Gerekirse, temizleyin.
- Her gün kullanım sonrası şu bakım çalışmalarını gerçekleştirin:
 - Yan tırpanın dış kısmını temizleyin ve hasar olup olmadığını kontrol edin.
 - Hava filtresini temizleyin. Aşırı tozlu ortamlarda çalışıyorsanız, filtreyi günde birkaç defa temizleyin.
 - Bıçakta veya misinali kesim başlığında hasar olmadığını ve bu parçaların sağlam şekilde takıldığını kontrol edin.
 - Motor rölantideyken kesici parçanın duracağından emin olmak için, rölantı ile çalışma devirleri arasında yeterli fark olduğundan emin olun (gerekirse, rölantı devrini düşürün). Motor rölantideyken kesici parça dönmeye devam ediyorsa, size en yakın Yetkili Servis Merkezine danışın.
- I-Durdurma düğmesini (açma/kapama)/Başlatma/Durdurma düğmesinin, kilit açma mandalının, kontrol mandalının ve kilit düğmesinin doğru çalıştığını kontrol edin.

Hava temizleyicinin (filtrenin) temizlenmesi

- Jikle kolunu (4) tamamen kapalı konuma çevirin ve karbüratördeki toz ve pislikleri temizleyin.
- Vidayı (1) sökün.
- Hava temizleyici kapağını (3) çıkartın.
- Sünger filtre elemanını (2) çıkartın, ılık suda yıkayın ve tamamen kurumasını bekleyin.
- Temizledikten sonra, hava temizleyici kapağını (3) geri takın ve vidasını (1) sıkarak sabitleyin.

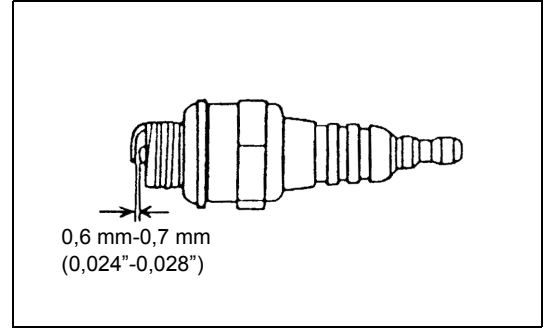
NOT: Hava temizleyicide çok fazla toz veya kir birikiyorsa, her gün temizleyin. Hava temizleyicinin tıkalı olması halinde, motorun çalışması veya motor dönüş devrinin yükseltilmesi zorlaşabilir ve hatta imkansız hale gelebilir.



Bujinin kontrolü

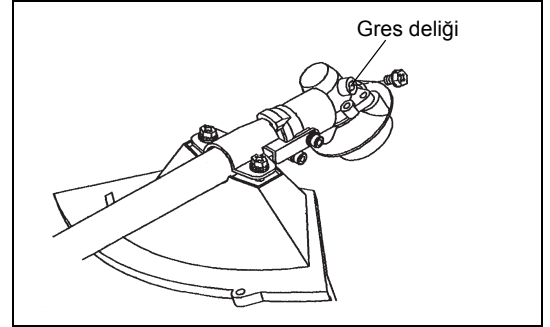
- Bujiyi sökmek ve takmak için yalnızca ürünle birlikte verilen standart anahtar kullanın.
- Bujinin iki elektrotu arasındaki boşluk 0,6-0,7 mm (0,024"-0,028") olmalıdır. Boşluk çok geniş veya darsa, ayarlayın. Buji karbonla tıkanırsa veya kirlenirse, iyice temizleyin veya değiştirin.

DİKKAT: Motor çalışırken buji konektörüne kesinlikle dokunmayın (yüksek gerilimde elektrik çarpması tehlikesi).



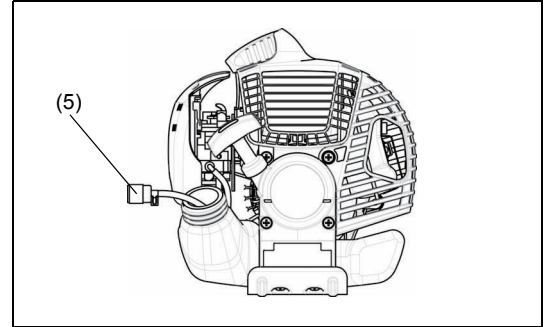
Dişli kutusuna gres uygulanması

- Dişli kutusuna gres deliğinden her 30 saatlik çalışma sonrasında gres (Shell Alvania 2 veya muadili) doldurun. (Mutlaka MAKITA satıcınızdan orijinal MAKITA gresi satın alınmalıdır.)



Yakıt deposundaki emiş başlığı

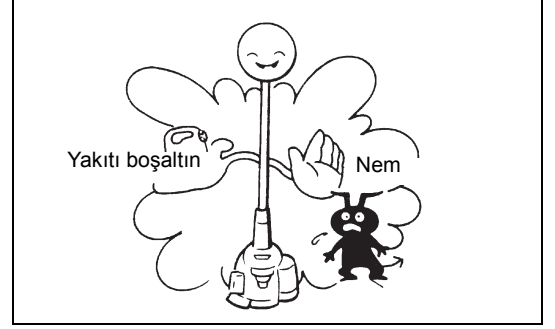
- Emiş başlığındaki yakıt filtresi (5), karbüratör tarafından ihtiyaç duyulan yakıtın filtrelenmesi için kullanılır.
- Yakıt filtresini düzenli olarak gözle kontrol edin. Filtreyi kontrol etmek için yakıt doldurma kapağını açın ve ardından bir tel kanca yardımıyla emiş başlığını depo açıklığından çekerek çıkartın. Sertleşmişse, aşırı derecede kirlenmiş veya tıkanmışsa filtreyi değiştirin.
- Yetersiz yakıt beslenmesi, kabul edilebilir maksimum devrin aşılmasına neden olabilir. Bu nedenle, karbüratöre yeterli miktarda yakıt beslemesini sağlamak için, yakıt filtresi en az üç ayda bir değiştirilmelidir.



Bu kılavuzda belirtilmeyen ve açıklanmayan diğer tüm bakım ve ayar çalışmaları mutlaka yalnızca Yetkili Servis tarafından yapılmalıdır.

Saklama

- Makineyi uzun bir süre kullanmayacaksanız, yakıt deposundaki ve karbüratördeki tüm yakıtı boşaltın. Bunun için, yakıtı yakıt deposundan basit şekilde tahliye etmeniz gerekir. Boşaltılan yakıtı ilgili kanunlara uygun olarak bertaraf edin.
- Bujiyi çıkartın ve buji deliğine birkaç damla yağ damlatın. Ardından, yağ filminin motorun iç kısmını kapladığından emin olmak için marşı yavaşça çekin ve bujiyi sıkın.
- Kesici bıçaktaki ve makinenin dışındaki kirleri ve tozları temizleyin ve ardından yağa batırılmış bir bezle silin. Makineyi kuru bir yerde saklayın.



Bakım programı

Genel	Motor tertibatı, vida ve somunları	Hasar olmadığını ve bağlantıların sıkı olduğunu gözle kontrol edin Genel durumunu ve güvenliğini kontrol edin
Her yakıt doldurma işleminin ardından	Kontrol mandalı I-Durdurma düğmesi (açma/kapama)/Başlatma/Durdurma düğmesi	Çalışma kontrolü Çalışma kontrolü
Günlük	Hava filtresi Soğutucu hava kanalı Kesici parça Rölanti devri	Temizlenmelidir Temizlenmelidir Hasar olup olmadığını ve keskinliğini kontrol edin Kontrol edin (kesici parça kesinlikle hareket etmemelidir)
Haftalık	Buji Susturucu	Kontrol edin ve gerekirse değiştirin Açıklığı kontrol edin ve gerekirse temizleyin
Üç ayda bir	Emiş başlığı Yakıt deposu	Değiştirilmelidir Temizlenmelidir
Kapatma prosedürü	Yakıt deposu Karbüratör	Yakıt deposunu boşaltın Motorda yakıt kalmayana kadar çalıştırın

Sorun Giderme

Arıza	Sistem	Gözlem	Nedeni
Motor çalışmıyor veya zor çalışıyor	Ateşleme sistemi	Ateşleme kıvılcımı çıkıyor	Yakıt besleme veya sıkıştırma sistemi arızası veya mekanik bir arıza mevcuttur
		Ateşleme kıvılcımı çıkmıyor	I-Durdurma düğmesini (açma/kapama)/Başlatma/Durdurma düğmesine basılmıştır, kablolama hatalı veya kısa devre yapmıştır, buji veya konektör arızalıdır, ateşleme modülü arızalıdır
	Yakıt besleme	Yakıt deposu doludur	Jikle konumu yanlıştır, karbüratör arızalıdır, yakıt besleme hattı bükülmüş veya tıkanmıştır, yakıt kirlidir
	Sıkıştırma	Çekildiğinde sıkışma olmuyor	Silindirin alt contası yıpranmıştır, krank mili contaları hasar görmüştür, silindir veya piston halkaları arızalıdır veya buji sızdırmazlığı hatalıdır
Sıcak başlatma sorunları	Mekanik arıza	Marş basmıyor	Marş ipi kopmuştur, motor içindeki parçalar bozulmuştur
		Depo dolu. Ateşleme kıvılcımı çıkıyor	Karbüratör kirlidir, mutlaka temizlenmelidir
Motor çalışıyor, ancak hemen duruyor	Yakıt besleme	Depo dolu	Rölanti ayarı yanlıştır, karbüratör kirlenmiştir
Düşük performans	Aynı anda birkaç sistem etkilenmiş olabilir	Motor rölantide zayıf çalışıyor	Yakıt deposu hava alma tertibatı arızalıdır, yakıt besleme hattı kesilmiştir, kablo veya I-Durdurma düğmesini (açma/kapama)/Başlatma/Durdurma düğmesi arızalıdır
			Hava filtresi kirlenmiştir, karbüratör kirlenmiştir, susturucu tıkanmıştır, silindirdeki çıkış kanalı tıkanmıştır

Makita Corporation

Anjo, Aichi, Japan

www.makita.com

EM2600U-10L-0614

ALA