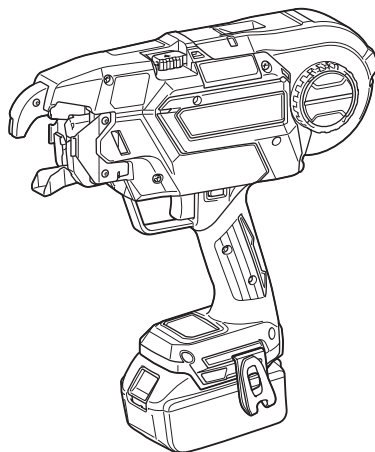




EN	Cordless Rebar Tying Tool	INSTRUCTION MANUAL	10
FR	Pince À Ligaturer Sans Fil	MANUEL D'INSTRUCTIONS	19
DE	Akku-Drahtbindemaschine	BETRIEBSANLEITUNG	29
IT	Legatrice a batteria per ferri d'armatura	ISTRUZIONI PER L'USO	39
NL	Accuvlechtmachine voor betonijzer	GEBRUIKSAANWIJZING	49
ES	Amarradora Inalámbrica de Varilla	MANUAL DE INSTRUCCIONES	59
PT	Amarradora de Vergalhão a Bateria	MANUAL DE INSTRUÇÕES	69
DA	Akku maskine til binding af armeringsjern	BRUGSANVISNING	79
EL	Φορητό εργαλείο δεσίματος ράβδων οπλισμού	ΕΓΧΕΙΡΙΔΙΟ ΟΔΗΓΙΩΝ	88
TR	Akülü İnşaat Demiri Bağlama Makinesi	KULLANMA KILAVUZU	98

DTR180



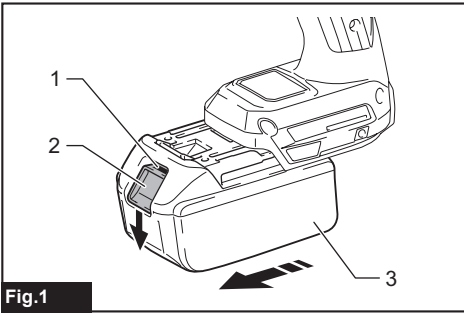


Fig.1

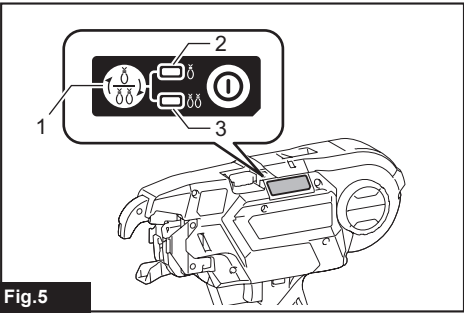


Fig.5



Fig.2

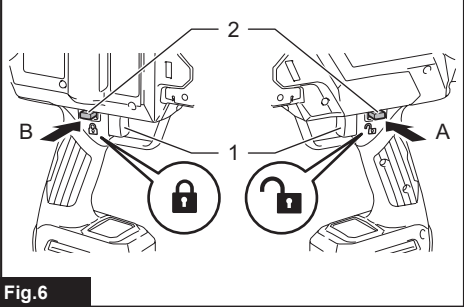


Fig.6



Fig.3



Fig.7

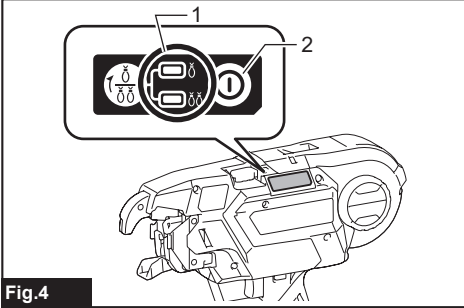


Fig.4

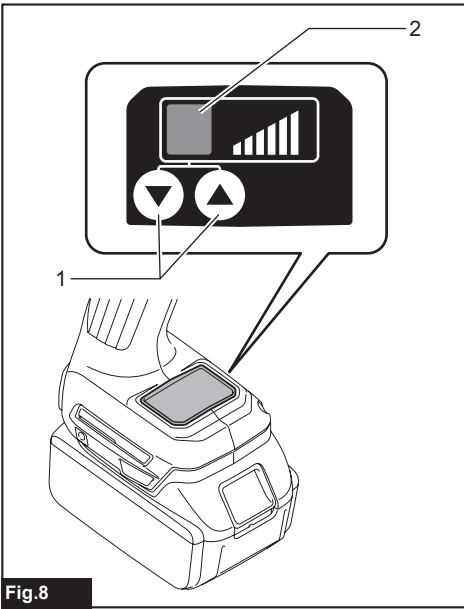


Fig. 8

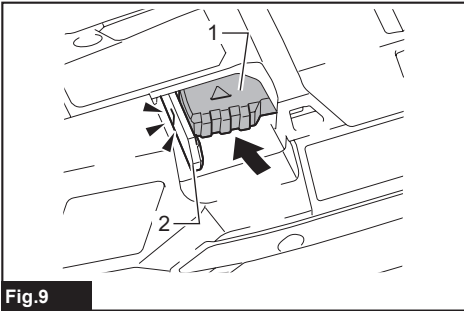


Fig. 9

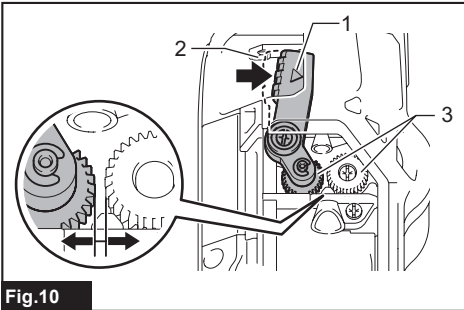


Fig. 10

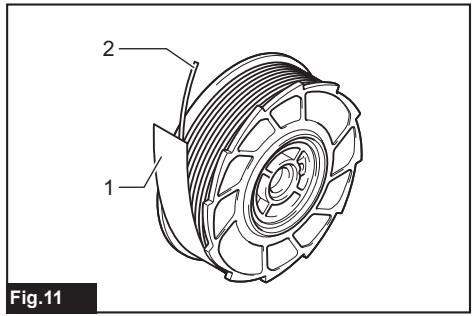


Fig. 11

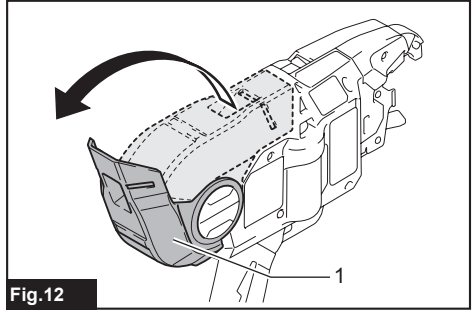


Fig. 12

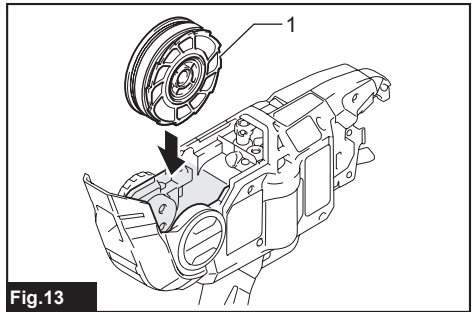


Fig. 13

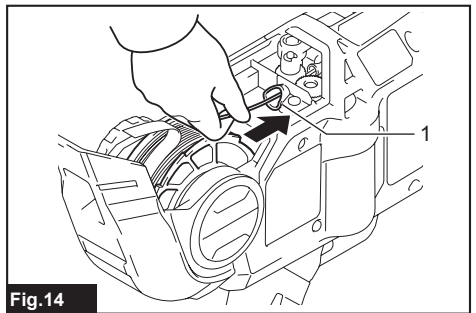
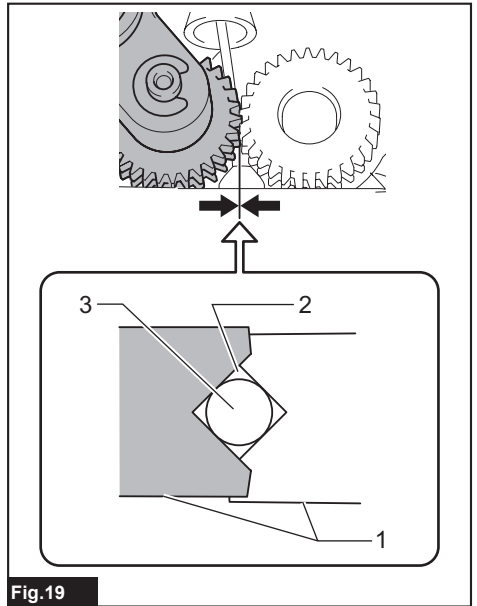
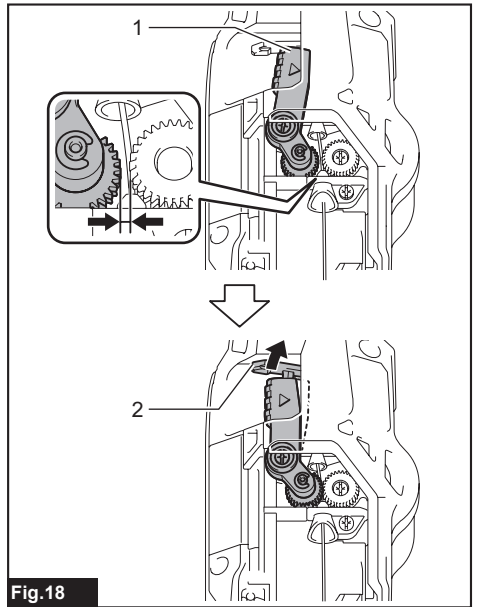
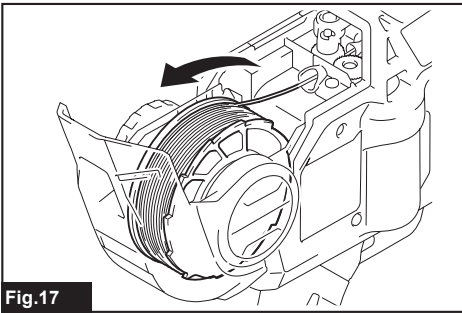
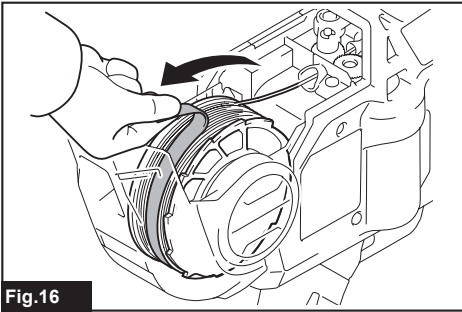
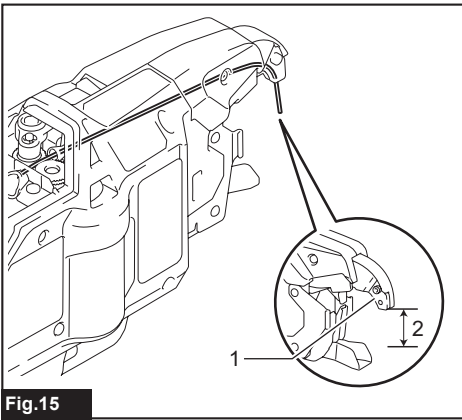
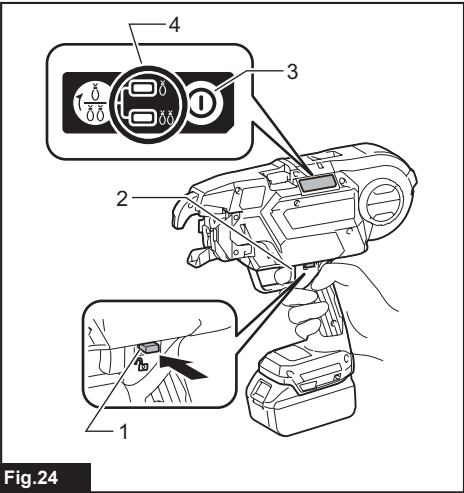
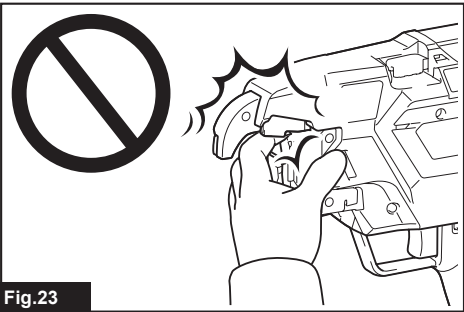
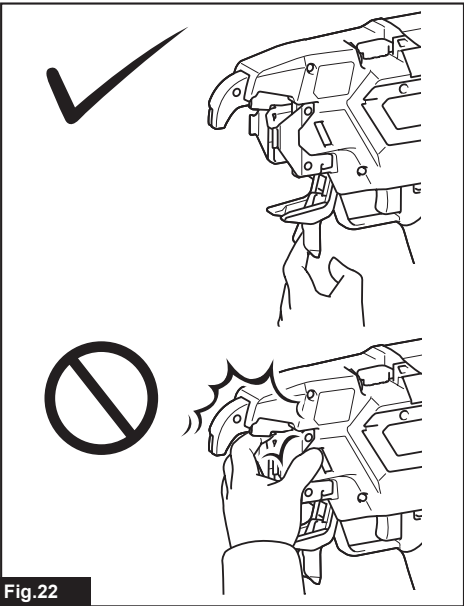
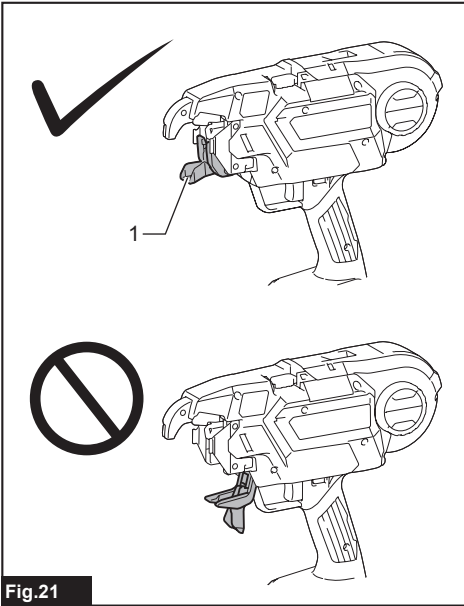
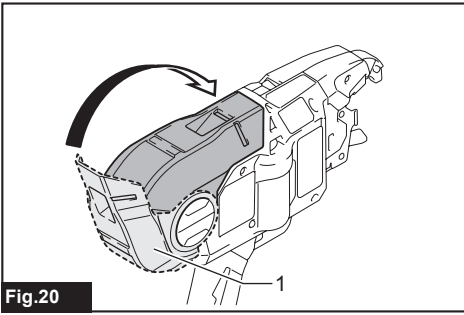


Fig. 14





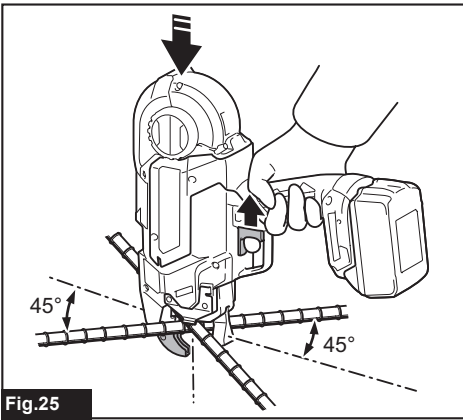


Fig.25

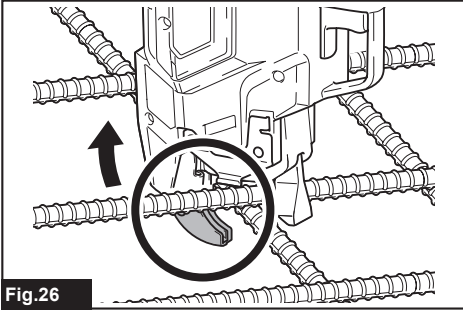


Fig.26

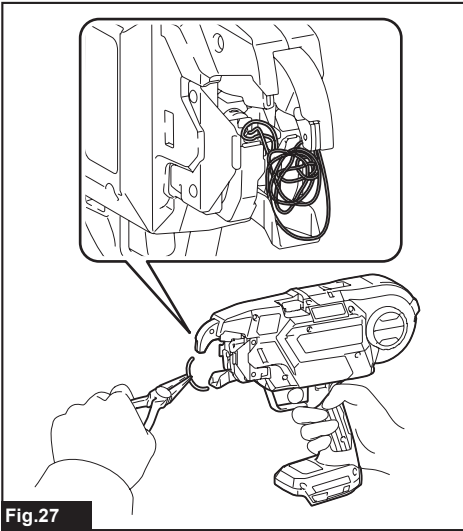


Fig.27

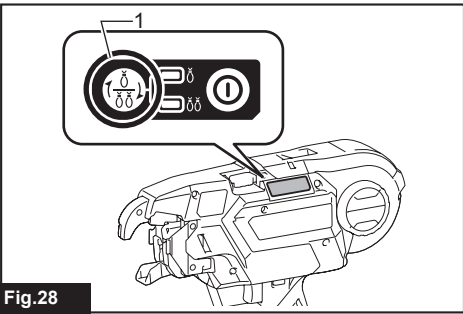


Fig.28

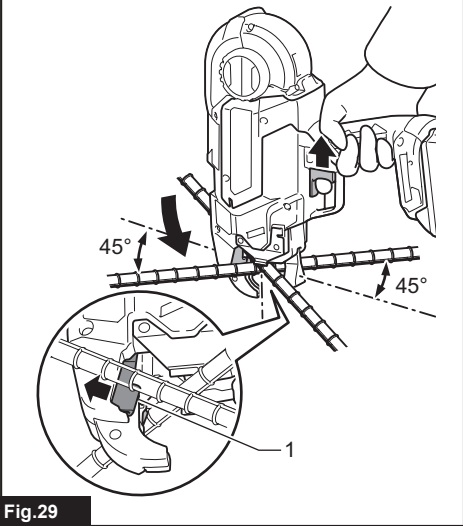


Fig.29

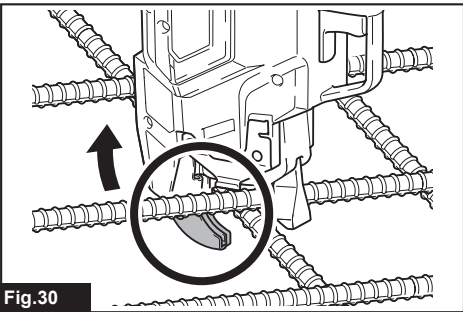


Fig.30

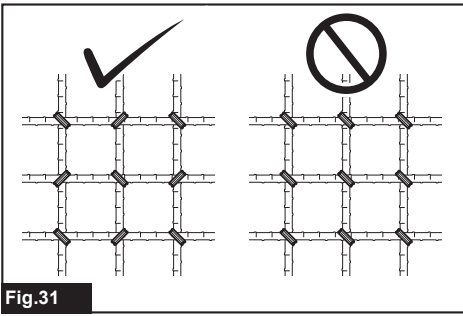


Fig.31

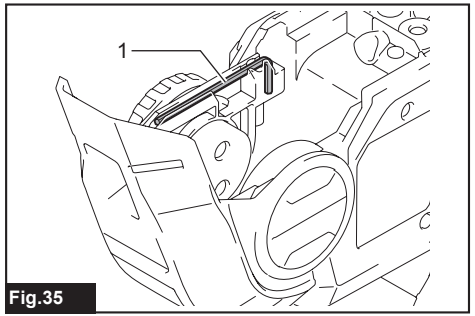


Fig.35

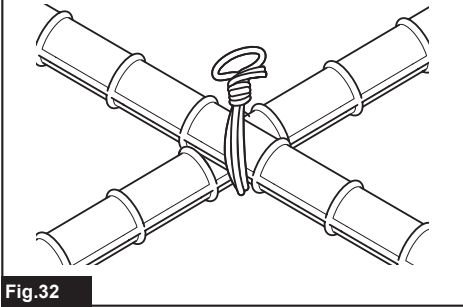


Fig.32

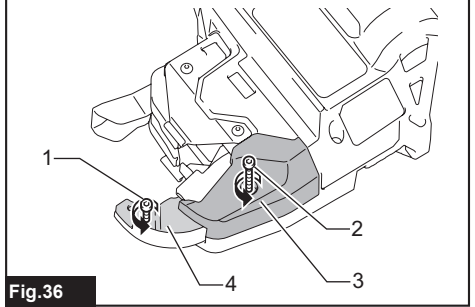


Fig.36

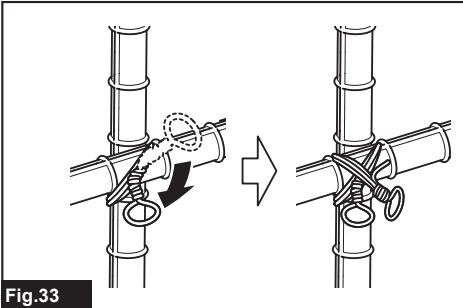


Fig.33

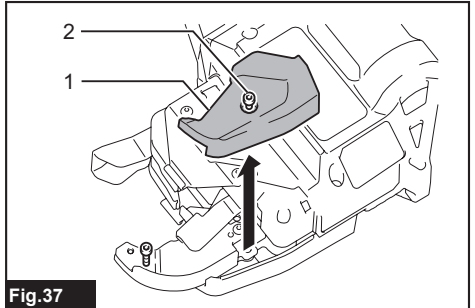


Fig.37

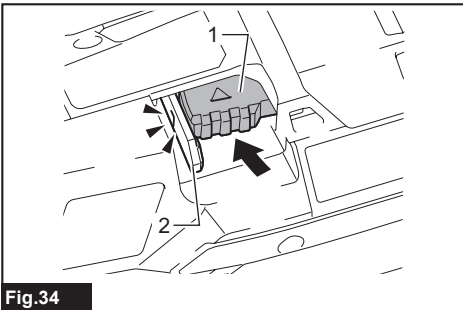
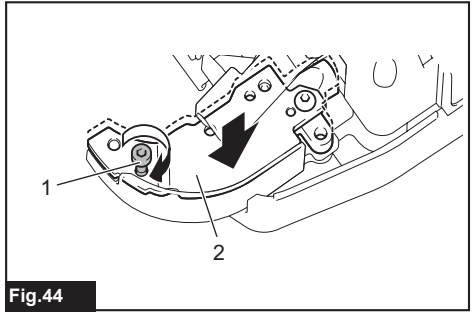
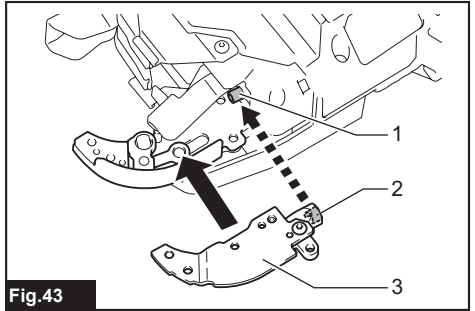
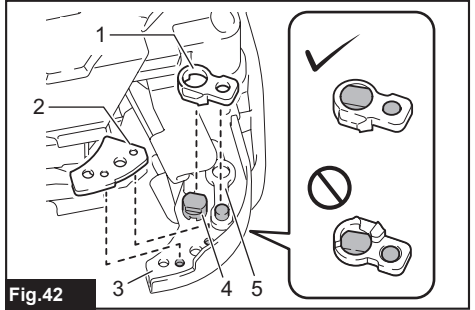
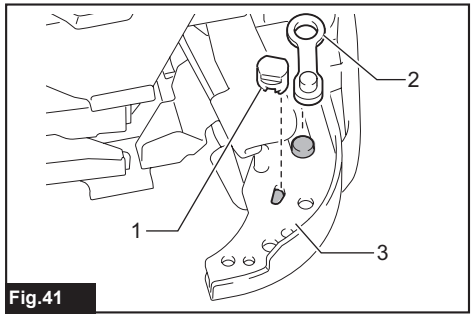
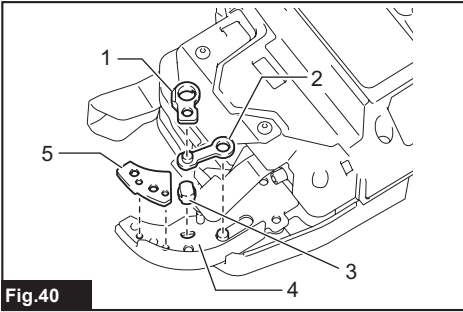
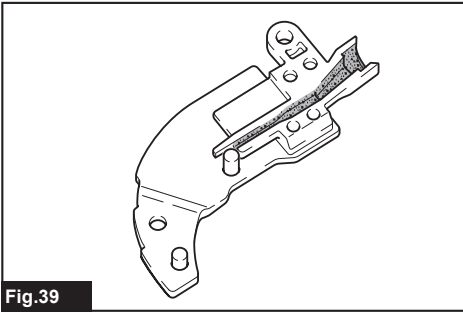
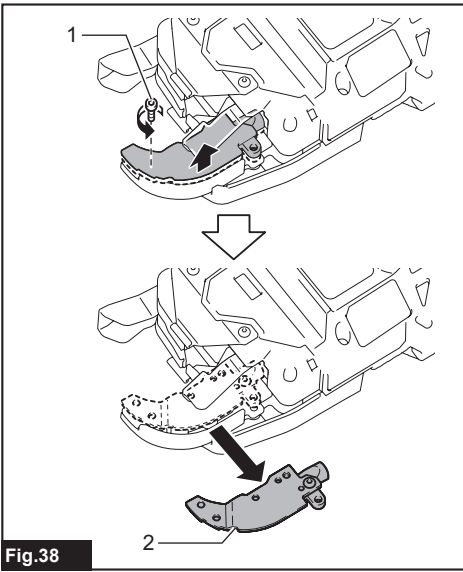
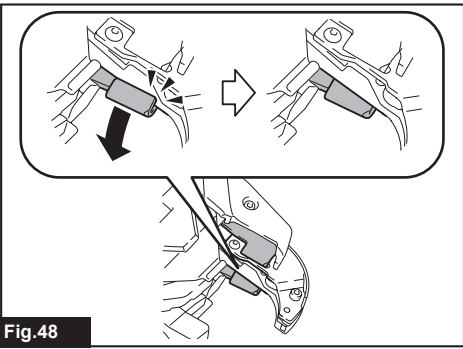
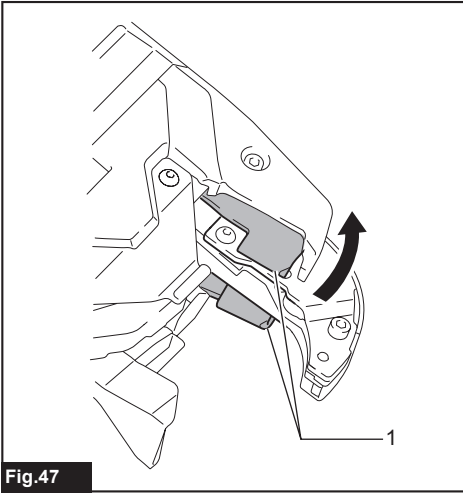
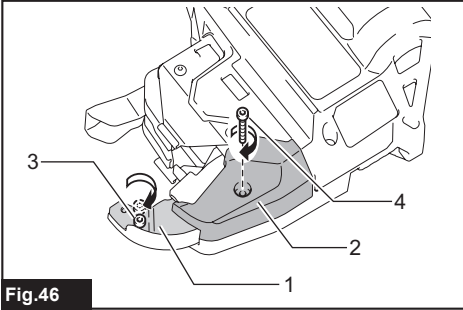
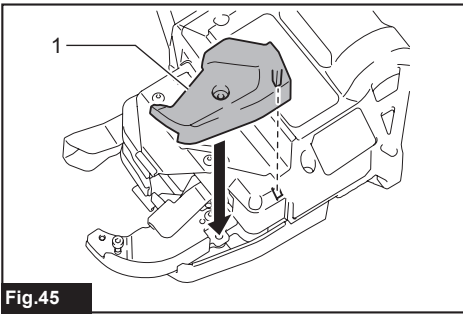


Fig.34





SPECIFICATIONS

Model:	DTR180
Tie wire (Optional accessory)	ø0.8 mm
Diameter of rebars that can be tied	From #3 x #3 to (#4 x 2) x (#4 x 2) From 10 mm x 10 mm to (13 mm x 2) x (13 mm x 2)
Approximate number of ties per reel	Approximately 120 ties
Overall length	304 mm
Rated voltage	D.C. 14.4/18 V
Net weight	2.3 - 2.6 kg

- Due to our continuing program of research and development, the specifications herein are subject to change without notice.
- Specifications and battery cartridge may differ from country to country.
- The weight may differ depending on the attachment(s), including the battery cartridge. The lightest and heaviest combination, according to EPTA-Procedure 01/2014, are shown in the table.

Applicable battery cartridge and charger

Battery cartridge	D.C. 14.4 V Model	BL1415N / BL1430 / BL1430B / BL1440 / BL1450 / BL1460B
	D.C. 18 V Model	BL1815N / BL1820 / BL1820B / BL1830 / BL1830B / BL1840 / BL1840B / BL1850 / BL1850B / BL1860B
Charger	DC18RC / DC18RD / DC18RE / DC18SD / DC18SE / DC18SF	

- Some of the battery cartridges and chargers listed above may not be available depending on your region of residence.

⚠ WARNING: Only use the battery cartridges and chargers listed above. Use of any other battery cartridges and chargers may cause injury and/or fire.

Combination of rebars that can be tied

Combination of 2 rebars

	#3 (10 mm)	#4 (13 mm)	#5 (16 mm)
#3 (10 mm)	✓	✓	✓
#4 (13 mm)	✓	✓	✓
#5 (16 mm)	✓	✓	✓

Combination of 3 rebars

	#3 x #3 (10 mm x 10 mm)	#4 x #4 (13 mm x 13 mm)
#3 (10 mm)	✓	✓
#4 (13 mm)	✓	✓
#5 (16 mm)	✓	-

Combination of 4 rebars

	#3 x #3 (10 mm x 10 mm)	#4 x #4 (13 mm x 13 mm)
#3 x #3 (10 mm x 10 mm)	✓	✓
#4 x #4 (13 mm x 13 mm)	✓	✓

NOTICE: If there is a gap between rebars or if the tool is used at an incorrect orientation, the rebars may not be able to be tied.

Symbols

The following show the symbols used for the equipment. Be sure that you understand their meaning before use.



Read instruction manual.



Wear safety glasses.



Do not expose to rain.



Keep hands away from the wire reel or wire when operating the tool.



Keep hands away from the tool tip.



Ni-MH
Li-Ion

Only for EU countries
Do not dispose of electric equipment or battery pack together with household waste material!

In observance of the European Directives, on Waste Electric and Electronic Equipment and Batteries and Accumulators and Waste Batteries and Accumulators and their implementation in accordance with national laws, electric equipment and batteries and battery pack(s) that have reached the end of their life must be collected separately and returned to an environmentally compatible recycling facility.

Intended use

The tool is intended for tying rebars.

Noise

The typical A-weighted noise level determined according to EN60745-2-18 (EN12549):

Sound pressure level (L_{pA}): 78 dB(A)

Uncertainty (K): 3 dB(A)

The noise level under working may exceed 80 dB (A).

⚠ WARNING: Wear ear protection.

Vibration

The vibration total value (tri-axial vector sum) determined according to EN60745-2-18 (ISO8662-11):

Work mode: Tying metal rod

Vibration emission (a_h): 2.5 m/s^2 or less

Uncertainty (K): 1.5 m/s^2

NOTE: The declared vibration emission value has been measured in accordance with the standard test method and may be used for comparing one tool with another.

NOTE: The declared vibration emission value may also be used in a preliminary assessment of exposure.

⚠ WARNING: The vibration emission during actual use of the power tool can differ from the declared emission value depending on the ways in which the tool is used.

⚠ WARNING: Be sure to identify safety measures to protect the operator that are based on an estimation of exposure in the actual conditions of use (taking account of all parts of the operating cycle such as the times when the tool is switched off and when it is running idle in addition to the trigger time).

EC Declaration of Conformity

For European countries only

The EC declaration of conformity is included as Annex A to this instruction manual.

SAFETY WARNINGS

General power tool safety warnings

⚠ WARNING: Read all safety warnings, instructions, illustrations and specifications provided with this power tool. Failure to follow all instructions listed below may result in electric shock, fire and/or serious injury.

Save all warnings and instructions for future reference.

The term "power tool" in the warnings refers to your mains-operated (corded) power tool or battery-operated (cordless) power tool.

Cordless rebar tying tool safety warnings

1. **Never point the tool toward a person. Never put your hands or feet close to the tool tip.** If you accidentally operate the tool while it is touching someone, it will lead to an unexpected accident.
2. **Do not load wire while the power to the tool is turned on.** Otherwise, you may get caught in the wire and injured.
3. **Do not use the tool without closing the reel cover.** Otherwise, the wire reel may come off and cause an accident.
4. **Be sure to check that the diameters of rebars to be tied are within the tool capacity before beginning work.**

5. **Wear clothes that have close-fitting hemlines and sleeves. Do not work with a towel or other object wrapped around your neck.** Otherwise, they may get caught in the rotating part and cause an accident.
6. **Be sure to inspect the following points before using the tool.**
 - Check that no parts are damaged
 - Check that no bolts are loose
 - Check that safety devices operate normally
7. **If any abnormalities are found, stop using the tool immediately. Do not repair the tool by yourself. Ask your local Makita Service Center for repairs.** If the tool is used in an incomplete state, an accident may occur.
8. **When installing the battery cartridge, be sure to lock the trigger and do not place your finger on the trigger.** Incorrect operation may cause an accident.
9. **When tying rebars, exercise care not to move them.** If rebars move due to tying, you may be injured.
10. **Do not touch the wires during the wire tying process.** Otherwise, you may get caught in the wire and injured.
11. **Do not bring your hands close to the tying point during the wire tying process.** Otherwise, you may get caught in the wire and injured.
12. **Hold the grip of the tool firmly during the wire tying process.** Otherwise, your wrist may be twisted or your body may be pulled, which may result in an injury.
13. **Do not move to the next tying point until the current wire tying process is completed.** Otherwise, you may be injured.
14. **Pay attention to the end of the wire during the wire tying process.** Otherwise, your hand may be caught by the end of the wire, and you may be injured.
15. **Do not touch the contact plate during the wire tying process. If you need to touch the contact plate, be sure to lock the trigger, or turn the power switch off and remove the battery cartridge.** Otherwise, you may be injured.
16. **When you have completed the wire tying process, pull the tool up vertically.** Otherwise, the arm may be caught on rebars, which may cause an accident.
17. **Be careful not to drop, bump, or hit the tool. If a strong impact is applied prior to the tool being used, make sure that the tool is not damaged or cracked, and that the safety devices operate normally.** Otherwise, an accident may occur.
18. **If any of the following phenomena occur, lock the trigger, turn the power switch off, and remove the battery cartridge from the tool.** If the tool operates incorrectly, an accident may occur.
 - If an operating sound is heard as soon as the battery cartridge is mounted.
 - If overheating or abnormal smells or noises are detected.
- When you are taking measures in response to the error display. (Ask your local Makita Service Center for repairs.)
- When loading or unloading a wire reel.
- When you move while holding the tool during work.
- When you do not use the tool.
- When you inspect or adjust the tool.
- When you remove a stranded wire.
19. **When working on scaffolding, always stabilize it and work using a posture that will ensure you maintain your balance.** If scaffolding is unstable, an accident may occur.
20. **When working on a roof or similar locations, move in a forward direction while working so that you can see where you are going.** If you move in a backward direction while working, you may lose your footing and cause an accident.
21. **If you are working in a highly elevated location, ensure that no one is below you, and pay attention to ensure you do not drop any tools while working.** Dropping the tool may cause an accident.
22. **Do not use the tool for any work other than wire tying.** Otherwise, an accident may occur.
23. **Always use Makita's genuine wires. If wires are not used for a long period of time, they may rust. Do not use rusted wires.** Otherwise, they may cause an accident.
24. **After tying, check for wire breakage due to excessive twisting. If any wires are broken, tying strength will be lost. Adjust the tying strength, and tie the rebars again.**
25. **Securely place the arm against the rebars.** If it is not securely positioned, a clearance will be created between the rebars, and tying strength will be compromised.

Important safety instructions for battery cartridge

1. **Before using battery cartridge, read all instructions and cautionary markings on (1) battery charger, (2) battery, and (3) product using battery.**
2. **Do not disassemble battery cartridge.**
3. **If operating time has become excessively shorter, stop operating immediately. It may result in a risk of overheating, possible burns and even an explosion.**
4. **If electrolyte gets into your eyes, rinse them out with clear water and seek medical attention right away. It may result in loss of your eyesight.**
5. **Do not short the battery cartridge:**
 - (1) **Do not touch the terminals with any conductive material.**
 - (2) **Avoid storing battery cartridge in a container with other metal objects such as nails, coins, etc.**
 - (3) **Do not expose battery cartridge to water or rain.**

A battery short can cause a large current flow, overheating, possible burns and even a breakdown.

6. Do not store the tool and battery cartridge in locations where the temperature may reach or exceed 50 °C (122 °F).
7. Do not incinerate the battery cartridge even if it is severely damaged or is completely worn out. The battery cartridge can explode in a fire.
8. Be careful not to drop or strike battery.
9. Do not use a damaged battery.
10. The contained lithium-ion batteries are subject to the Dangerous Goods Legislation requirements.
For commercial transports e.g. by third parties, forwarding agents, special requirement on packaging and labeling must be observed.
For preparation of the item being shipped, consulting an expert for hazardous material is required. Please also observe possibly more detailed national regulations.
Tape or mask off open contacts and pack up the battery in such a manner that it cannot move around in the packaging.
11. Follow your local regulations relating to disposal of battery.
12. Use the batteries only with the products specified by Makita. Installing the batteries to non-compliant products may result in a fire, excessive heat, explosion, or leak of electrolyte.

SAVE THESE INSTRUCTIONS.

⚠ CAUTION: Only use genuine Makita batteries. Use of non-genuine Makita batteries, or batteries that have been altered, may result in the battery bursting causing fires, personal injury and damage. It will also void the Makita warranty for the Makita tool and charger.

Tips for maintaining maximum battery life

1. Charge the battery cartridge before completely discharged. Always stop tool operation and charge the battery cartridge when you notice less tool power.
2. Never recharge a fully charged battery cartridge. Overcharging shortens the battery service life.
3. Charge the battery cartridge with room temperature at 10 °C - 40 °C (50 °F - 104 °F). Let a hot battery cartridge cool down before charging it.
4. Charge the battery cartridge if you do not use it for a long period (more than six months).

FUNCTIONAL DESCRIPTION

⚠ CAUTION: Always be sure that the tool is switched off and the battery cartridge is removed before adjusting or checking function on the tool.

Installing or removing battery cartridge

⚠ CAUTION: Always switch off the tool before installing or removing of the battery cartridge.

⚠ CAUTION: Hold the tool and the battery cartridge firmly when installing or removing battery cartridge. Failure to hold the tool and the battery cartridge firmly may cause them to slip off your hands and result in damage to the tool and battery cartridge and a personal injury.

► Fig.1: 1. Red indicator 2. Button 3. Battery cartridge

To remove the battery cartridge, slide it from the tool while sliding the button on the front of the cartridge.

To install the battery cartridge, align the tongue on the battery cartridge with the groove in the housing and slip it into place. Insert it all the way until it locks in place with a little click. If you can see the red indicator on the upper side of the button, it is not locked completely.

⚠ CAUTION: Always install the battery cartridge fully until the red indicator cannot be seen. If not, it may accidentally fall out of the tool, causing injury to you or someone around you.








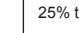

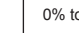

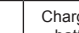




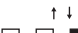
⚠ CAUTION: Do not install the battery cartridge forcibly. If the cartridge does not slide in easily, it is not being inserted correctly.

Indicating the remaining battery capacity

Only for battery cartridges with the indicator

► Fig.2: 1. Indicator lamps 2. Check button

Press the check button on the battery cartridge to indicate the remaining battery capacity. The indicator lamps light up for a few seconds.

Indicator lamps			Remaining capacity
 Lighted	 Off	 Blinking	
			75% to 100%
			50% to 75%
			25% to 50%
			0% to 25%
			Charge the battery.
 	 		The battery may have malfunctioned.

NOTE: Depending on the conditions of use and the ambient temperature, the indication may differ slightly from the actual capacity.

Tool / battery protection system

The tool is equipped with a tool/battery protection system. This system automatically cuts off power to the motor to extend tool and battery life. The tool will automatically stop during operation if the tool or battery is placed under one of the following conditions:

Overload protection

When the battery is operated in a manner that causes it to draw an abnormally high current, the tool automatically stops and the corresponding error number is displayed on the display panel. In this situation, turn the tool off and stop the application that caused the tool to become overloaded. Then turn the tool on to restart.

Overheat protection

When the tool or battery is overheated, the tool stops automatically and the corresponding error number is displayed on the display panel. In this case, let the tool and battery cool before turning the tool on again.

Overdischarge protection

When the battery capacity is not enough, the tool stops automatically and the corresponding error number is displayed on the display panel. In this case, remove the battery from the tool and charge the battery.

Main power switch

CAUTION: When you turn the power on, never bring your limbs or face close to the binding or rotating parts of the tool tip. Otherwise, you may be injured.

CAUTION: When the power is turned on, never touch the binding or rotating parts of the tool tip. Otherwise, you may be injured.

CAUTION: Before inserting the battery cartridge, be sure to release your fingers from the switch trigger and lock the trigger. If you insert the battery cartridge while the switch trigger is being pulled, it may cause an accident if the wire tying process is accidentally carried out.

► Fig.3

When you press the power button, the power turns on and the tying mode lamp lights up. In order for the tool to adjust its initial position, it operates temporarily. When adjustment has completed, the tool stops automatically. When you press the power button again, the power turns off and the tying mode lamp goes out.

► Fig.4: 1. Tying mode lamp 2. Power button

NOTE: The tool has an auto power-off function. If the switch trigger is not pulled for 10 minutes, the tool is automatically turned off to reduce battery power consumption.

NOTE: To restart the tool, turn the power on again.

Mode switching button

When the power is turned on and the tying mode lamp is lit, you can select the single actuation mode or the continuous actuation mode via the mode switching button. When you turn the power on again, the tool starts in the mode that was most recently selected.

► Fig.5: 1. Mode switching button 2. Single actuation mode 3. Continuous actuation mode

Switch action

WARNING: Before installing the battery cartridge into the tool, always check to see that the switch trigger actuates properly and returns to the "OFF" position when released.

CAUTION: When not operating the tool, depress the trigger-lock button from the side to lock the switch trigger in the OFF position.

► Fig.6: 1. Switch trigger 2. Trigger-lock button

To prevent the switch trigger from accidentally pulled, the trigger-lock button is provided. To start the tool, depress the trigger-lock button from A side and pull the switch trigger. Release the switch trigger to stop. After use, press in the trigger-lock button from B side.

When you pull the switch trigger, the tool performs the next sequential operations as follows, and the tool stops automatically.

1. Feed the wire.
2. Cut the wire.
3. The hook holds and twists the wire.
4. The hook returns to the original position.

Tying strength setting

CAUTION: Be sure to lock the trigger before starting the adjustment. When you turn the power on, never bring your limbs or face close to the binding or rotating parts of the tool tip. Otherwise, you may be injured.

► Fig.7

You can set the tying strength by adjusting the tying strength adjusting button. Tying strength is shown on the display panel.

► Fig.8: 1. Tying strength adjusting button 2. Display panel

If the wire is broken off, tying strength will be lost. After tying, check the twisted portion for breakage. If the wire is broken off, adjust the tying strength using the tying strength adjusting button, and tie the rebars again.

Remaining battery notification

When the battery voltage drops below the required level, the tool will stop operating, an error tone will sound, and the number "4" will appear on the display panel. The error tone will continue to sound until the power is turned off.

NOTE: If the ambient temperature is extremely low, the error tone may sound even when the battery contains sufficient power.

ASSEMBLY

⚠ CAUTION: Always be sure that the tool is switched off and the battery cartridge is removed before carrying out any work on the tool.

Loading the tie wire (wire reel)

⚠ CAUTION: Before mounting or dismounting tie wires and accessories, be sure to turn the power off, lock the trigger, and remove the battery cartridge. Failure to do so may cause an accident.

NOTICE: Using wires other than Makita's genuine tie wires (annealed wires) may cause the tool to malfunction.

1. Push the release lever, and lock it with the lock lever.

▶ Fig.9: 1. Release lever 2. Lock lever

When you push the release lever, a gap is created between the left and right feed gears.

▶ Fig.10: 1. Release lever 2. Lock lever 3. Feed gears

2. Peel off the tape that holds the wire, and pull the tip of the wire out.

▶ Fig.11: 1. Tape 2. Tip of wire

3. Open the reel cover.

▶ Fig.12: 1. Reel cover

4. Mount the wire reel on the tool in the orientation shown in the figure.

▶ Fig.13: 1. Wire reel

NOTICE: Be sure to mount the wire reel in the orientation shown in the figure. If it is mounted the other way around, the wire will be released and may be twisted.

5. Make the tip of the wire straight, and pass the wire through the guide.

▶ Fig.14: 1. Guide

NOTE: If the tip of the wire is bent when it is passed through the guide, the wire may become jammed in the tool.

NOTE: If you force the wire when trying to pass it through the guide, the wire may become jammed.

6. Pull the wire out approximately 10 mm from the tip of the arm.

▶ Fig.15: 1. Arm 2. Approximately 10 mm

NOTICE: If the length of the pulled-out wire is insufficient, the wire may be broken off when tied, or tying strength may be compromised due to insufficient wraps.

7. Remove all tape that holds the wire.

▶ Fig.16

8. Rewind the wire to eliminate its slack.

▶ Fig.17

9. Release the lock lever. The release lever returns, and the wire is held by the left and right gears.

▶ Fig.18: 1. Release lever 2. Lock lever

▶ Fig.19: 1. Gear 2. Path of the wire 3. Wire

NOTICE: When the lock lever is released and when the left and right gears mesh with each other, the grooves in the gears form a space. This space becomes the path for the wire. Make sure that the wire is passed through this path.

10. Close the reel cover.

▶ Fig.20: 1. Reel cover

OPERATION

Checking before work

⚠ CAUTION: If the tool has a safety mechanism-related problem, do not use it. If you continue to use it, an accident may occur.

Before using the tool, make sure that the safety mechanism operates normally. If the tool operates without the safety mechanism operating, stop using the tool immediately. Ask your local Makita Service Center for repairs.

Checking the trigger-lock

The tool has the trigger-lock to prevent the tool from operating when you do not intend to use it. Lock the trigger and confirm that the switch trigger cannot be pulled.

Checking the curl guide

To prevent the operator from touching the binding or rotating parts of the tool tip by mistake, the tool will not operate even if the switch trigger is pulled while the curl guide is opened. When the operator releases their finger from the switch trigger and closes the curl guide, the tool can operate.

▶ Fig.21: 1. Curl guide

Checkout for curl guide open/close detection

Remove the tie wire, check the tool operation according to the following steps, and make sure that the tool does not start if the curl guide is open.

1. Turn the power off, and leave the curl guide open.
2. Turn the power on.

If the tool will not operate and if the value "2" is shown on the display panel, the state of the tool is normal. Turn the power off, and close the curl guide.

If the tool operates and if no error is shown on the display panel, the state of the tool is abnormal. Stop using the tool immediately, and ask your local Makita Service Center for repairs.

⚠ CAUTION: If you open the curl guide and turn the power on to check the interlock, hold the curl guide as shown in the figure. Never bring your limbs or face close to the binding or rotating parts of the tool tip. Otherwise, you may be injured.

▶ Fig.22

Tying work

⚠ CAUTION: Before inserting the battery cartridge, be sure to release your fingers from the switch trigger and lock the trigger. If you insert the battery cartridge while the switch trigger is being pulled, it may cause an accident if the wire tying process is accidentally carried out.

⚠ CAUTION: When you turn the power on, never bring your limbs or face close to the binding or rotating parts of the tool tip. Otherwise, you may be injured.

⚠ CAUTION: When the power is turned on, never touch the binding or rotating parts of the tool tip. Otherwise, you may be injured.

► Fig.23

Preparation before work

1. Make sure that the battery cartridge is removed and the trigger is locked.
2. Insert the battery cartridge into the tool, and turn the power on. When you turn the power on, the wire is cut automatically.

NOTICE: Make sure that the tying mode lamp lights up when the power is turned on. If it does not light up, recharge the battery.

3. Release the trigger lock.
- Fig.24: 1. Trigger-lock button 2. Switch trigger
3. Power button 4. Tying mode lamp

Single actuation mode

1. Push the arm securely against the tying point. Push the tool vertically against the rebars, and press the arm against the point where the rebars cross at a 45-degree angle.
► Fig.25
2. Pull the switch trigger once.
3. The wire is fed and cut automatically.
4. The hook holds and twists the wire, then returns to the original position after the wires have been tied.
► Fig.26
5. After tying, exercise care not to hook the arm on the rebars and pull the tool up.

⚠ CAUTION: If the wire has clung to the binding part of the tool tip, turn the power of the tool off. Lock the trigger, remove the battery cartridge, and remove the wire using tools such as nippers or pliers.

► Fig.27

Continuous actuation mode

1. Switch the tool mode from the single actuation mode to the continuous actuation mode using the mode switching button.
► Fig.28: 1. Mode switching button

2. Release the trigger lock.
3. While pulling the switch trigger, push the tool vertically against the rebars, and press the arm against the point where the rebars cross at a 45-degree angle. Press the contact plate firmly against the tying point. The wire will be tied.
► Fig.29: 1. Contact plate
4. After tying, exercise care not to hook the arm on the rebars and pull the tool up.
► Fig.30

Cautions on working

- If you move the arm from the tying position during the wire tying process, the wire will get stuck on the hook, which may lead to incorrect tying.
- Keep pressing the tool against the rebars until the wire tying process is completed.
- Do not move to the next tying point until the current wire tying process is completed.
- The tool tip rotating part (hook) twists the wire during the wire tying process. Hold the grip firmly so that your body is not pulled by the tool.
- Do not touch the wires during the wire tying process.
- If you are repeating the wire tying processes in the single actuation mode, fully release your finger from the switch trigger. Then, continue to operate the switch trigger.
- If you pull the switch trigger when there is no tie wire left, an error is displayed. Replace with a new tie wire and restart the tool.

Tying tips

- Tilt the tool at a 45° angle to the crossed rebars, and tie alternately as shown in the figure.
► Fig.31
- Avoid strumous sections of rebars.
► Fig.32
- If tying strength is insufficient, change the tying orientation and perform tying twice so that tying strength increases.
► Fig.33

NOTICE: When you make the second tie, bend the tail of the first tie before making the second tie. Otherwise, the wire may be repelled a second time. It may cling to the tool tip, and the hook may be damaged.

Replacing the tie wires

⚠ CAUTION: When you replace the wire, be sure to turn the power off, lock the trigger, and remove the battery cartridge. Failure to do so may cause an accident.

1. When wire has been used up, an error tone will sound and error "1" will be displayed.
2. Lock the trigger, turn the power off, and remove the battery cartridge.

3. Push the release lever, and lock it with the lock lever.

► **Fig.34:** 1. Release lever 2. Lock lever

4. Remove the wire reel from the tool.

NOTE: When wire has been used up normally, approximately 20 cm of the wire remains wound on the reel. In this state, replace the wire reel with a new one.

If it is difficult to remove the wire reel from the tool, follow the steps below.

1. Insert the battery cartridge into the tool, and turn the power on. The tool feeds the wire and cuts it automatically.

2. Lock the trigger, turn the power off, and remove the battery cartridge.

3. Remove the wire breaks using tools such as nippers or pliers.

MAINTENANCE

CAUTION: Always be sure that the tool is switched off and the battery cartridge is removed before attempting to perform inspection or maintenance.

NOTICE: Never use gasoline, benzine, thinner, alcohol or the like. Discoloration, deformation or cracks may result.

To maintain product SAFETY and RELIABILITY, repairs, any other maintenance or adjustment should be performed by Makita Authorized or Factory Service Centers, always using Makita replacement parts.

Storage of the hex wrench

Store the hex wrench in the position shown in the figure.

► **Fig.35:** 1. Hex wrench

Cleaning the cutter

When the tool is used for a long period of time, dust and wire particles may become adhered to the cutter section. In such a case, disassemble and clean the cutter according to the following procedure.

If a wire is caught in the cutter section, the wire can be removed by following the same procedure.

Disassembling and cleaning

1. Loosen bolts A and B using the hex wrench included in the tool package.

► **Fig.36:** 1. Bolt A 2. Bolt B 3. Contact plate cover 4. Wire guide B

NOTICE: Do not forcibly remove any bolts that cannot be removed using the hex wrench.

2. Pull the contact plate cover up in the direction of the arrow and remove it. Bolt B will be removed at the same time.

► **Fig.37:** 1. Contact plate cover 2. Bolt B

3. Remove bolt A, and remove wire guide B.

► **Fig.38:** 1. Bolt A 2. Wire guide B

4. Turn wire guide B over and clean its inside.

► **Fig.39**

5. Remove cutter A, cutter B, top plate, and link arm A from arm plate A. Then, clean them.

► **Fig.40:** 1. Cutter B 2. Link arm A 3. Cutter A 4. Arm plate A 5. Top plate

Assembling

When cleaning is finished, assemble the parts according to the following procedure.

1. Install cutter A and link arm A to fit the shape of arm plate A.

► **Fig.41:** 1. Cutter A 2. Link arm A 3. Arm plate A

2. Install cutter B and the top plate onto arm plate A. (Install cutter B on cutter A and link arm A.)

► **Fig.42:** 1. Cutter B 2. Top plate 3. Arm plate A 4. Cutter A 5. Link arm A

NOTICE: Face the projection of cutter B downward, and install the cutter as shown in the figure.

3. Align the pipe of the tool with the groove inside the wire guide B, and assemble them.

► **Fig.43:** 1. Pipe 2. Groove 3. Wire guide B

4. Fix wire guide B by temporarily tightening bolt A.

► **Fig.44:** 1. Bolt A 2. Wire guide B

5. Install the contact plate cover in the direction of the arrow.

► **Fig.45:** 1. Contact plate cover

6. Fix wire guide B and contact plate cover securely by tightening bolt A and bolt B.

► **Fig.46:** 1. Wire guide B 2. Contact plate cover 3. Bolt A 4. Bolt B

7. After assembling, confirm that the contact plate can move as shown in the figure.

► **Fig.47:** 1. Contact plate

NOTE: If the contact plate is caught, press it as shown in the figure.

► **Fig.48**

Error display and error tone

⚠ CAUTION: During inspection, be sure to lock the trigger, turn the power off, and remove the battery cartridge. Failure to do so may cause an accident.

⚠ CAUTION: When you turn the power on, never bring your limbs or face close to the binding or rotating parts of the tool tip. Otherwise, you may be injured.

⚠ CAUTION: When the power is turned on, never touch the binding or rotating parts of the tool tip. Otherwise, you may be injured.

⚠ CAUTION: If an error tone sounds, or if the tool malfunctions, immediately stop using the tool.

Error tone and display

If an error occurs, an error tone will sound, and an error number will be shown on the display panel. Refer to the following table and take appropriate actions. If the error persists, ask Makita Authorized Service Centers for repairs.

Display	Symptom	Possible cause	Solution
1	The tool stops operating.	The wire has been used up.	Load new tie wire.
		Tie wire is not loaded.	Load tie wire.
		Wire feeding has failed.	Check the orientation of the tie wire. Unload the tie wire, and load it again. Clean the path of wire.
2	The tool stops operating.	The curl guide is open.	Close the curl guide.
3	The tool does not perform the tying process in continuous actuation mode.	The contact plate is caught.	Release the contact plate from being caught.
4	The tool does not start. The tool stops operating.	The battery has been discharged. The temperature of the battery cartridge is abnormally high.	Recharge the battery. Cool the battery cartridge down. Replace the battery cartridge with a recharged one.
5	The tool stops operating.	The motor is overloaded.	Determine the cause of the obstruction of the motor rotation and solve the problem.
		Motor failure	
6	The tool stops operating.	The temperature of the tool is abnormally high.	Cool the tool down.
7	The tool does not start.	Tool failure	Ask Makita Authorized Service Centers for repairs.
	The tool stops operating.		

OPTIONAL ACCESSORIES

⚠ CAUTION: These accessories or attachments are recommended for use with your Makita tool specified in this manual. The use of any other accessories or attachments might present a risk of injury to persons. Only use accessory or attachment for its stated purpose.

If you need any assistance for more details regarding these accessories, ask your local Makita Service Center.

- Tie wire
- Makita genuine battery and charger

NOTE: Some items in the list may be included in the tool package as standard accessories. They may differ from country to country.

SPÉCIFICATIONS

Modèle :	DTR180
Fil métallique à ligaturer (accessoire en option)	ø0,8 mm
Diamètre des barres d'armature qui peuvent être ligaturées	De #3 x #3 à (#4 x 2) x (#4 x 2) De 10 mm x 10 mm à (13 mm x 2) x (13 mm x 2)
Nombre approximatif d'attaches par bobine	Environ 120 attaches
Longueur totale	304 mm
Tension nominale	14,4/18 V CC
Poids net	2,3 - 2,6 kg

- Étant donné l'évolution constante de notre programme de recherche et de développement, les spécifications contenues dans ce manuel sont sujettes à modification sans préavis.
- Les spécifications et la batterie peuvent être différentes suivant les pays.
- Le poids peut être différent selon les accessoires, notamment la batterie. Les associations la plus légère et la plus lourde, conformément à la procédure EPTA 01/2014, sont indiquées dans le tableau.

Batterie et chargeur applicables

Batterie	Modèle 14,4 V CC	BL1415N / BL1430 / BL1430B / BL1440 / BL1450 / BL1460B
	Modèle 18 V CC	BL1815N / BL1820 / BL1820B / BL1830 / BL1830B / BL1840 / BL1840B / BL1850 / BL1850B / BL1860B
Chargeur		DC18RC / DC18RD / DC18RE / DC18SD / DC18SE / DC18SF

- Certains chargeurs et batteries répertoriés ci-dessus peuvent ne pas être disponibles selon la région où vous résidez.

⚠ AVERTISSEMENT : N'utilisez que les batteries et les chargeurs répertoriés ci-dessus. L'utilisation d'autres batteries et chargeurs peut provoquer des blessures et/ou un incendie.

Combinaison de barres d'armature qui peuvent être ligaturées

Combinaison de 2 barres d'armature

	#3 (10 mm)	#4 (13 mm)	#5 (16 mm)
#3 (10 mm)	✓	✓	✓
#4 (13 mm)	✓	✓	✓
#5 (16 mm)	✓	✓	✓

Combinaison de 3 barres d'armature

	#3 x #3 (10 mm x 10 mm)	#4 x #4 (13 mm x 13 mm)
#3 (10 mm)	✓	✓
#4 (13 mm)	✓	✓
#5 (16 mm)	✓	-

Combinaison de 4 barres d'armature

	#3 x #3 (10 mm x 10 mm)	#4 x #4 (13 mm x 13 mm)
#3 x #3 (10 mm x 10 mm)	✓	✓
#4 x #4 (13 mm x 13 mm)	✓	✓

REMARQUE : En présence d'un vide entre les barres d'armature ou si l'outil est utilisé dans le mauvais sens, vous pourriez ne pas être en mesure de ligaturer les barres.

Symboles

Vous trouverez ci-dessous les symboles utilisés pour l'appareil. Veuillez à comprendre leur signification avant toute utilisation.



Lire le mode d'emploi.



Portez des lunettes de sécurité.



Ne pas exposer la machine à la pluie.



Éloignez les mains de la bobine de fil ou du fil métallique pendant le fonctionnement de l'outil.



Éloignez les mains de la pointe de l'outil.



Ni-MH
Li-ion

Pour les pays de l'Union européenne uniquement

Ne jetez pas les appareils électriques ou les batteries avec vos ordures ménagères ! Conformément aux directives européennes relatives aux déchets d'équipements électriques et électroniques et aux piles et accumulateurs ainsi qu'aux déchets de piles et d'accumulateurs et leur mise en œuvre conformément aux lois nationales, les équipements électriques, les piles et les batteries en fin de vie doivent faire l'objet d'une collecte sélective et être confiés à une usine de recyclage respectueuse de l'environnement.

Utilisation prévue

L'outil est conçu pour ligaturer des barres d'armature.

Bruit

Niveau de bruit pondéré A typique, déterminé selon

EN60745-2-18 (EN12549) :

Niveau de pression sonore (L_{pA}) : 78 dB (A)

Incertitude (K) : 3 dB (A)

Le niveau de bruit en fonctionnement peut dépasser 80 dB (A).

AVERTISSEMENT : Portez un serre-tête antibruit.

Vibrations

Valeur totale de vibrations (somme de vecteur triaxial) déterminée selon EN60745-2-18 (ISO8662-11) :

Mode de travail : Ligature de tiges en métal

Émission de vibrations (a_h) : 2,5 m/s² ou moins

Incertitude (K) : 1,5 m/s²

NOTE : La valeur d'émission de vibrations déclarée a été mesurée conformément à la méthode de test standard et peut être utilisée pour comparer les outils entre eux.

NOTE : La valeur d'émission de vibrations déclarée peut aussi être utilisée pour l'évaluation préliminaire de l'exposition.

AVERTISSEMENT : L'émission de vibrations lors de l'usage réel de l'outil électrique peut être différente de la valeur d'émission déclarée, suivant la façon dont l'outil est utilisé.

AVERTISSEMENT : Les mesures de sécurité à prendre pour protéger l'utilisateur doivent être basées sur une estimation de l'exposition dans des conditions réelles d'utilisation (en tenant compte de toutes les composantes du cycle d'utilisation, comme par exemple le moment de sa mise hors tension, lorsqu'il tourne à vide et le moment de son déclenchement).

Déclaration de conformité CE

Pour les pays européens uniquement

La déclaration de conformité CE est fournie en Annexe A à ce mode d'emploi.

CONSIGNES DE SÉCURITÉ

Consignes de sécurité générales pour outils électriques

AVERTISSEMENT : Veuillez lire les consignes de sécurité, instructions, illustrations et spécifications qui accompagnent cet outil électrique. Le non-respect de toutes les instructions indiquées ci-dessous peut entraîner une électrocution, un incendie et/ou de graves blessures.

Conservez toutes les mises en garde et instructions pour référence ultérieure.

Le terme « outil électrique » dans les avertissements fait référence à l'outil électrique alimenté par le secteur (avec cordon d'alimentation) ou à l'outil électrique fonctionnant sur batterie (sans cordon d'alimentation).

Consignes de sécurité pour pince à ligaturer sans fil

1. **Ne dirigez jamais l'outil vers une personne. Ne placez jamais les mains ou les pieds près de la pointe de l'outil.** Si vous actionnez accidentellement l'outil alors qu'il est en contact avec quelqu'un, cela entraînera un accident inattendu.
2. **Ne chargez pas de fil métallique alors que l'outil est sous tension.** Autrement, vous risquez d'être pris dans le fil métallique et d'être blessé.

3. **N'utilisez pas l'outil sans fermer le couvercle de la bobine.** Autrement, la bobine de fil pourrait se détacher et provoquer un accident.
4. **Assurez-vous bien que les diamètres des barres d'armature à ligaturer relèvent de la capacité de l'outil avant de commencer la tâche.**
5. **Portez des vêtements aux jambes et manches ajustées. Ne travaillez pas avec une serviette ou un autre objet enroulé autour du cou.** Autrement, vous risquez d'être pris dans la pièce en rotation et d'avoir un accident.
6. **Veillez à inspecter les points suivants avant d'utiliser l'outil.**
 - **Assurez-vous qu'aucune pièce n'est endommagée**
 - **Assurez-vous qu'aucun boulon n'est desserré**
 - **Assurez-vous que les dispositifs de sécurité fonctionnent normalement**
7. **En présence d'anomalies, cessez immédiatement d'utiliser l'outil. Ne réparez pas l'outil vous-même. Confiez les réparations à votre centre de service Makita.** Si l'outil est utilisé dans des conditions inadéquates, un accident peut survenir.
8. **Lorsque vous insérez la batterie, veillez à verrouiller la gâchette et ne posez pas votre doigt sur la gâchette.** Un fonctionnement incorrect pourrait provoquer un accident.
9. **Lorsque vous ligaturez des barres d'armature, faites attention de ne pas les faire bouger.** Si les barres d'armature bougent en raison de la ligature, vous pourriez être blessé.
10. **Ne touchez pas les fils métalliques pendant la ligature.** Autrement, vous risquez d'être pris dans le fil métallique et d'être blessé.
11. **N'approchez pas les mains du point de ligature pendant la ligature du fil métallique.** Autrement, vous risquez d'être pris dans le fil métallique et d'être blessé.
12. **Tenez fermement la poignée de l'outil pendant la ligature du fil métallique.** Autrement, votre poignet pourrait se tordre ou votre corps être tiré, ce qui présente un risque de blessure.
13. **Ne passez pas au point de ligature suivant tant que la ligature de fil métallique actuelle n'est pas terminée.** Autrement, vous pourriez être blessé.
14. **Faites attention à l'extrémité du fil métallique pendant la ligature du fil.** Autrement, votre main pourrait être prise dans l'extrémité du fil métallique et vous pourriez être blessé.
15. **Ne touchez pas la plaque de contact pendant la ligature du fil métallique. Si vous devez toucher la plaque de contact, veillez à verrouiller la gâchette ou éteignez l'outil et retirez la batterie.** Autrement, vous pourriez être blessé.
16. **Une fois terminé la ligature du fil métallique, tirez l'outil vers le haut verticalement.** Autrement, le bras pourrait être coincé par les barres d'armature, ce qui peut provoquer un accident.
17. **Prenez garde de ne pas lâcher, cogner ou frapper l'outil. Si un choc violent est appliqué avant l'utilisation de l'outil, vérifiez qu'il n'est pas endommagé ou fissuré, et que les dispositifs de sécurité fonctionnent normalement.** Autrement, un accident pourrait survenir.
18. **Si l'un des phénomènes suivants se produit, verrouillez la gâchette, éteignez l'outil et retirez la batterie de l'outil.** Si l'outil fonctionne de manière incorrecte, un accident peut survenir.
 - **Si vous entendez un bruit de fonctionnement dès que la batterie est insérée.**
 - **Si une surchauffe, une odeur ou des bruits inhabituels sont détectés.**
 - **Lorsque vous mesurez des mesures en réponse à l'affichage d'une erreur. (Sollicitez des réparations à votre centre de service après-vente Makita.)**
 - **Lorsque vous chargez ou déchargez une bobine de fil.**
 - **Lorsque vous vous déplacez en tenant l'outil pendant la tâche.**
 - **Lorsque vous n'utilisez pas l'outil.**
 - **Lorsque vous inspectez ou réglez l'outil.**
 - **Lorsque vous retirez un fil métallique coincé.**
19. **Lorsque vous travaillez sur un échafaudage, immobilisez-le toujours et travaillez en ayant une posture qui vous permet de maintenir votre équilibre.** Si l'échafaudage est instable, un accident peut survenir.
20. **Lorsque vous travaillez sur un toit ou un emplacement similaire, déplacez-vous dans le sens avant tout en travaillant pour que vous puissiez voir où vous allez.** Si vous vous déplacez en arrière pendant que vous travaillez, vous pourriez perdre l'équilibre et provoquer un accident.
21. **Si vous travaillez dans un endroit surélevé, assurez-vous que personne ne se trouve en dessous et faites attention de ne pas lâcher d'outils pendant que vous travaillez.** Si vous lâchez l'outil, vous pourriez provoquer un accident.
22. **N'utilisez pas l'outil pour toute autre tâche que la ligature de fil métallique.** Autrement, un accident pourrait survenir.
23. **Utilisez toujours des fils métalliques de marque Makita. Si les fils métalliques ne sont pas utilisés pendant une période prolongée, ils peuvent rouiller. N'utilisez pas de fils métalliques rouillés.** Autrement, ils pourraient provoquer un accident.
24. **Après la ligature, vérifiez qu'une torsion excessive n'a pas provoqué une rupture des fils métalliques. Si des fils métalliques sont rompus, la force de ligature sera perdue. Ajustez la force de ligature et ligaturez à nouveau les barres d'armature.**
25. **Placez fermement le bras contre les barres d'armature.** S'il n'est pas fermement placé, cela créera un jeu entre les barres d'armature, ce qui compromettra la force de ligature.

Consignes de sécurité importantes pour la batterie

1. Avant d'utiliser la batterie, lisez toutes les instructions et précautions relatives (1) au chargeur de batterie, (2) à la batterie, et (3) au produit utilisant la batterie.
2. Ne démontez pas la batterie.
3. Cessez immédiatement l'utilisation si le temps de fonctionnement devient excessivement court. Il y a risque de surchauffe, de brûlures, voire d'explosion.
4. Si l'électrolyte pénètre dans vos yeux, rincez-les à l'eau claire et consultez immédiatement un médecin. Il y a risque de perte de la vue.
5. Ne court-circuitez pas la batterie :
 - (1) Ne touchez les bornes avec aucun matériau conducteur.
 - (2) Évitez de ranger la batterie dans un conteneur avec d'autres objets métalliques, par exemple des clous, des pièces de monnaie, etc.
 - (3) N'exposez pas la batterie à l'eau ou à la pluie.

Un court-circuit de la batterie peut provoquer une intensité de courant élevée, une surchauffe, parfois des brûlures et même une panne.

6. Ne rangez pas l'outil et la batterie dans un endroit où la température risque d'atteindre ou de dépasser 50 °C.
7. Ne jetez pas la batterie au feu même si elle est sérieusement endommagée ou complètement épuisée. La batterie peut exploser au contact du feu.
8. Évitez de laisser tomber ou de cogner la batterie.
9. N'utilisez pas la batterie si elle est endommagée.
10. Les batteries au lithium-ion contenues sont soumises aux exigences de la législation sur les marchandises dangereuses.

Lors du transport commercial par des tierces parties ou des transitaires par exemple, des exigences spécifiques en matière d'étiquetage et d'emballage doivent être respectées.

Pour la préparation de l'article expédié, il est nécessaire de consulter un expert en matériau dangereux. Veuillez également respecter les réglementations nationales susceptibles d'être plus détaillées.

Recouvrez les contacts exposés avec du ruban adhésif ou du ruban de masquage et emballez la batterie de telle sorte qu'elle ne puisse pas bouger dans l'emballage.
11. Suivez les réglementations locales en matière de mise au rebut des batteries.
12. Utilisez les batteries uniquement avec les produits spécifiés par Makita. L'insertion de batteries dans des produits non conformes peut provoquer un incendie, une chaleur excessive, une explosion ou une fuite de l'électrolyte.

CONSERVEZ CES INSTRUCTIONS.

ATTENTION : N'utilisez que des batteries Makita d'origine. L'utilisation de batteries de marque autre que Makita ou de batteries modifiées peut provoquer l'explosion des batteries, ce qui présente un risque d'incendie, de dommages matériels et corporels. Cela annulera également la garantie Makita pour l'outil et le chargeur Makita.

Conseils pour assurer la durée de vie optimale de la batterie

1. Chargez la batterie avant qu'elle ne soit complètement déchargée. Arrêtez toujours l'outil et rechargez la batterie quand vous remarquez que la puissance de l'outil diminue.
2. Ne rechargez jamais une batterie complètement chargée. La surcharge réduit la durée de service de la batterie.
3. Chargez la batterie à une température ambiante comprise entre 10 °C et 40 °C. Avant de charger une batterie chaude, laissez-la refroidir.
4. Rechargez la batterie si elle est restée inutilisée pendant une période prolongée (plus de six mois).

DESCRIPTION DU FONCTIONNEMENT

ATTENTION : Assurez-vous toujours que l'outil est hors tension et que sa batterie est retirée avant de l'ajuster ou de vérifier son fonctionnement.

Insertion ou retrait de la batterie

ATTENTION : Éteignez toujours l'outil avant de mettre en place ou de retirer la batterie.

ATTENTION : Tenez fermement l'outil et la batterie lors de la mise en place ou du retrait de la batterie. Si vous ne tenez pas fermement l'outil et la batterie, ils peuvent vous glisser des mains, et s'abîmer ou vous blesser.

► Fig.1: 1. Voyant rouge 2. Bouton 3. Batterie

Pour retirer la batterie, faites-la glisser hors de l'outil tout en faisant glisser le bouton à l'avant de la batterie.

Pour mettre en place la batterie, alignez la languette sur la batterie avec la rainure sur le compartiment et insérez-la. Insérez-la à fond jusqu'à ce qu'un léger déclic se fasse entendre. Si le voyant rouge sur le dessus du bouton est visible, cela signifie qu'elle n'est pas bien verrouillée.

ATTENTION : Insérez toujours complètement la batterie jusqu'à ce que le voyant rouge ne soit plus visible. Sinon, elle pourrait tomber accidentellement de l'outil, au risque de vous blesser ou de blesser quelqu'un se trouvant près de vous.

ATTENTION : N'insérez pas la batterie de force. Si elle ne glisse pas facilement, c'est que vous ne l'insérez pas correctement.

Indication de la charge restante de la batterie

Uniquement pour les batteries avec voyant lumineux

► Fig.2: 1. Témoins 2. Bouton de vérification

Appuyez sur le bouton de vérification sur la batterie pour indiquer la charge restante de la batterie. Les témoins s'allument pendant quelques secondes.

Témoins			Charge restante
Allumé	Éteint	Clignotant	
■	□	◻	75 % à 100 %
■	■	■	
■	■	□	50 % à 75 %
■	■	□	25 % à 50 %
■	□	□	0 % à 25 %
◻	□	□	Chargez la batterie.
■	■	□	Anomalie possible de la batterie.
□	□	■	

NOTE : Selon les conditions d'utilisation et la température ambiante, l'indication peut être légèrement différente de la capacité réelle.

Système de protection de l'outil/la batterie

L'outil est équipé d'un système de protection de l'outil/la batterie. Ce système coupe automatiquement l'alimentation vers le moteur pour prolonger la durée de vie de l'outil et de la batterie. Si l'outil ou la batterie se trouve dans l'une des situations suivantes, l'outil cessera automatiquement de fonctionner.

Protection contre la surcharge

Lorsque la batterie est utilisée d'une manière provoquant un appel de courant anormalement élevé, l'outil s'arrête automatiquement et le numéro d'erreur correspondant s'affiche sur l'écran d'affichage. Dans cette situation, éteignez l'outil et arrêtez la tâche ayant provoqué la surcharge de l'outil. Puis rallumez l'outil pour reprendre la tâche.

Protection contre la surchauffe

En cas de surchauffe de l'outil ou de la batterie, l'outil s'arrête automatiquement et le numéro d'erreur correspondant s'affiche sur l'écran d'affichage. Dans ce cas, laissez l'outil et la batterie refroidir avant de rallumer l'outil.

Protection contre la décharge totale de la batterie

Lorsque la charge de la batterie est insuffisante, l'outil s'arrête automatiquement et le numéro d'erreur correspondant s'affiche sur l'écran d'affichage. Dans ce cas, retirez la batterie de l'outil et chargez-la.

Interrupteur principal

ATTENTION : Lorsque vous mettez l'outil sous tension, n'approchez jamais vos membres ou votre visage des pièces de pincement ou des pièces en rotation de la pointe de l'outil. Autrement, vous pourriez être blessé.

ATTENTION : Lorsque vous mettez l'outil sous tension, ne touchez jamais les pièces de pincement ou les pièces en rotation de la pointe de l'outil. Autrement, vous pourriez être blessé.

ATTENTION : Avant d'insérer la batterie, veillez à dégager vos doigts de la gâchette et verrouillez la gâchette. Si vous insérez la batterie alors que la gâchette est enclenchée, cela pourrait provoquer un accident si la ligature de fil métallique est effectuée par inadvertance.

► Fig.3

Lorsque vous appuyez sur le bouton d'alimentation, l'outil se met sous tension et le témoin du mode de ligature s'allume. Pour que l'outil puisse ajuster sa position initiale, il fonctionne provisoirement. Une fois l'ajustement terminé, l'outil s'arrête automatiquement. Lorsque vous appuyez à nouveau sur le bouton d'alimentation, l'outil se met hors tension et le témoin du mode de ligature s'éteint.

► Fig.4: 1. Témoin du mode de ligature 2. Bouton d'alimentation

NOTE : L'outil est pourvu d'une fonction de mise hors tension automatique. Si la gâchette n'est pas enclenchée pendant 10 minutes, l'outil est automatiquement mis hors tension pour économiser la batterie.

NOTE : Pour redémarrer l'outil, mettez-le à nouveau sous tension.

Bouton de changement de mode

Lorsque l'outil est sous tension et que le témoin du mode de ligature est allumé, vous pouvez sélectionner le mode séquentiel ou le mode continu grâce au bouton de changement de mode. Lorsque vous mettez à nouveau l'outil sous tension, il démarre dans le mode sélectionné le plus récemment.

► Fig.5: 1. Bouton de changement de mode 2. Mode séquentiel 3. Mode continu

Fonctionnement de la gâchette

AVERTISSEMENT : Avant d'insérer la batterie dans l'outil, vérifiez toujours que la gâchette fonctionne bien et revient en position d'arrêt lorsque vous la relâchez.

ATTENTION : Lorsque vous n'utilisez pas l'outil, appuyez sur le côté  du bouton de verrouillage de la gâchette pour verrouiller la gâchette en position d'arrêt.

► Fig.6: 1. Gâchette 2. Bouton de verrouillage de la gâchette

Pour éviter tout déclenchement accidentel de la gâchette, l'outil est muni d'un bouton de verrouillage de la gâchette. Pour démarrer l'outil, appuyez sur le côté A du bouton de verrouillage de la gâchette et enclenchez la gâchette. Pour arrêter l'outil, relâchez la gâchette. Après utilisation, appuyez sur le côté B du bouton de verrouillage de la gâchette.

Lorsque vous enclenchez la gâchette, l'outil exécute l'opération séquentielle suivante comme suit, puis il s'arrête automatiquement.

1. Le fil métallique est alimenté.
2. Le fil métallique est coupé.
3. Le crochet retient et torsade le fil métallique.
4. Le crochet retourne à sa position initiale.

Réglage de la force de ligature

ATTENTION : Veillez à verrouiller la gâchette avant de commencer le réglage. Lorsque vous mettez l'outil sous tension, n'approchez jamais vos membres ou votre visage des pièces de pincement ou des pièces en rotation de la pointe de l'outil. Autrement, vous pourriez être blessé.

► Fig.7

Vous pouvez régler la force de ligature en ajustant le bouton de réglage de la force de ligature. La force de ligature est indiquée sur l'écran d'affichage.

► Fig.8: 1. Bouton de réglage de la force de ligature
2. Écran d'affichage

Si le fil métallique est rompu, la force de ligature sera perdue. Après la ligature, vérifiez que la partie torsadée n'est pas rompue. Si le fil métallique est rompu, ajustez la force de ligature au moyen du bouton de réglage de la force de ligature et ligaturez à nouveau les barres d'armature.

Avis de batterie restante

Lorsque la tension de la batterie descend en dessous du niveau requis, l'outil cesse de fonctionner, un bip d'erreur retentit et le numéro 4 apparaît sur l'écran d'affichage. Le bip d'erreur continue de retentir jusqu'à ce que l'outil soit mis hors tension.

NOTE : Si la température ambiante est très basse, le bip d'erreur peut retentir même si la batterie est suffisamment chargée.

ASSEMBLAGE

ATTENTION : Assurez-vous toujours que l'outil est hors tension et que sa batterie est retirée avant d'effectuer toute tâche dessus.

Chargement du fil métallique à ligaturer (bobine de fil)

ATTENTION : Avant de poser ou déposer les fils métalliques à ligaturer et les accessoires, veillez à mettre l'outil hors tension, à verrouiller la gâchette et à retirer la batterie. Le non-respect de cette précaution pourrait provoquer un accident.

REMARQUE : L'utilisation de fils métalliques autres que des fils métalliques de marque Makita (fils recuits) pourrait provoquer un dysfonctionnement de l'outil.

1. Poussez le levier de déverrouillage et bloquez-le avec le levier de verrouillage.

► Fig.9: 1. Levier de déverrouillage 2. Levier de verrouillage

Lorsque vous poussez le levier de déverrouillage, un espace se forme entre les engrenages d'avance gauche et droit.

► Fig.10: 1. Levier de déverrouillage 2. Levier de verrouillage 3. Engrenages d'avance

2. Décollez le ruban adhésif qui retient le fil métallique et faites sortir la pointe du fil.

► Fig.11: 1. Ruban adhésif 2. Pointe du fil métallique

3. Ouvrez le couvercle de la bobine.

► Fig.12: 1. Couvercle de la bobine

4. Posez la bobine de fil sur l'outil dans le sens illustré sur la figure.

► Fig.13: 1. Bobine de fil

REMARQUE : Veillez à poser la bobine de fil sur l'outil dans le sens illustré sur la figure. Si vous la posez dans l'autre sens, le fil métallique sera libéré et pourra se tordre.

5. Redressez la pointe du fil et faites passer le fil métallique par le guide.

► Fig.14: 1. Guide

NOTE : Si la pointe du fil métallique est pliée lorsqu'il passe par le guide, il pourra se coincer dans l'outil.

NOTE : Si vous forcez le fil métallique lorsque vous essayez de le faire passer par le guide, il pourra se coincer dans l'outil.

6. Tirez sur le fil métallique d'environ 10 mm à partir du bout du bras.

► Fig.15: 1. Bras 2. Environ 10 mm

REMARQUE : Si la longueur du fil métallique sorti est insuffisante, le fil pourra se rompre lors de la ligature ou la force de ligature pourra être compromise en raison d'un enroulement insuffisant.

7. Retirez tout le ruban adhésif qui retient le fil métallique.

► Fig.16

8. Rembobinez le fil métallique pour qu'il n'y ait plus de mou.

► Fig.17

9. Libérer le levier de verrouillage. Le levier de déverrouillage revient en position, et le fil métallique est retenu par les engrenages gauche et droit.

► Fig.18: 1. Levier de déverrouillage 2. Levier de verrouillage

► Fig.19: 1. Engrenage 2. Chemin du fil métallique
3. Fil métallique

REMARQUE : Lorsque le levier de verrouillage est relâché et lorsque les engrenages gauche et droit se mettent en prise, les rainures sur les engrenages forment un espace. Cet espace devient le chemin pour le fil métallique. Assurez-vous que le fil métallique passe bien par ce chemin.

10. Refermez le couvercle de la bobine.

► Fig.20: 1. Couvercle de la bobine

UTILISATION

Vérification avant la tâche

ATTENTION : Si l'outil présente un problème relatif au mécanisme de sécurité, ne l'utilisez pas. Si vous continuez à l'utiliser, un accident peut survenir.

Avant d'utiliser l'outil, assurez-vous que le mécanisme de sécurité fonctionne normalement. Si l'outil fonctionne sans le mécanisme de sécurité, cessez immédiatement d'utiliser l'outil. Confiez les réparations à votre centre de service Makita.

Vérification du verrouillage de la gâchette

L'outil est pourvu d'une fonction de verrouillage de la gâchette pour empêcher l'outil de fonctionner lorsque vous ne prévoyez pas de l'utiliser. Verrouillez la gâchette et confirmez qu'elle ne peut pas être enclenchée.

Vérification du guide de boucle

Pour empêcher l'utilisateur de toucher les pièces de pincement ou les pièces en rotation de la pointe de l'outil par erreur, l'outil ne fonctionnera pas même si la gâchette est enclenchée pendant que le guide de boucle est ouvert. Lorsque l'utilisateur relâche le doigt de la gâchette et referme le guide de boucle, l'outil peut fonctionner.

► Fig.21: 1. Guide de boucle

Vérification de la détection de l'ouverture/fermeture du guide de boucle

Retirez le fil métallique à ligaturer, vérifiez le fonctionnement de l'outil en exécutant les étapes suivantes et assurez-vous que l'outil ne démarre pas si le guide de boucle est ouvert.

1. Mettez l'outil hors tension et laissez ouvert le guide de boucle.

2. Mettez l'outil sous tension.

Si l'outil ne fonctionne pas et si la valeur 2 est indiquée sur l'écran d'affichage, l'état de l'outil est normal. Mettez l'outil hors tension et refermez le guide de boucle.

Si l'outil fonctionne et si aucune erreur n'est indiquée sur l'écran d'affichage, l'état de l'outil est anormal.

Cessez immédiatement d'utiliser l'outil et sollicitez des réparations à votre centre de service après-vente Makita.

ATTENTION : Si vous ouvrez le guide de boucle et mettez l'outil sous tension pour vérifier l'interverrouillage, tenez le guide de boucle comme illustré sur la figure. N'approchez jamais vos membres ou votre visage des pièces de pincement ou des pièces en rotation de la pointe de l'outil. Autrement, vous pourriez être blessé.

► Fig.22

Tâche de ligature

ATTENTION : Avant d'insérer la batterie, veillez à dégager vos doigts de la gâchette et verrouillez la gâchette. Si vous insérez la batterie alors que la gâchette est enclenchée, cela pourrait provoquer un accident si la ligature de fil métallique est effectuée par inadvertance.

ATTENTION : Lorsque vous mettez l'outil sous tension, n'approchez jamais vos membres ou votre visage des pièces de pincement ou des pièces en rotation de la pointe de l'outil. Autrement, vous pourriez être blessé.

ATTENTION : Lorsque vous mettez l'outil sous tension, ne touchez jamais les pièces de pincement ou les pièces en rotation de la pointe de l'outil. Autrement, vous pourriez être blessé.

► Fig.23

Préparatifs avant la tâche

1. Assurez-vous que la batterie est retirée et la gâchette verrouillée.
2. Insérez la batterie dans l'outil et mettez-le sous tension. Lorsque vous mettez l'outil sous tension, le fil métallique est automatiquement coupé.

REMARQUE : Assurez-vous que le témoin du mode de ligature s'allume lorsque l'outil est mis sous tension. S'il ne s'allume pas, rechargez la batterie.

3. Déverrouillez la gâchette.

► Fig.24: 1. Bouton de verrouillage de la gâchette
2. Gâchette 3. Bouton d'alimentation
4. Témoin du mode de ligature

Mode séquentiel

1. Poussez fermement le bras contre le point de ligature. Poussez verticalement l'outil contre les barres d'armature et appuyez le bras à un angle de 45 degrés contre le point où les barres d'armature se croisent.

► Fig.25

2. Enclenchez la gâchette une fois.

3. Le fil métallique est alimenté et coupé automatiquement.

4. Le crochet retient et torsade le fil métallique, puis revient à sa position initiale après avoir ligaturé les fils.

► Fig.26

5. Après la ligature, prenez garde de ne pas accrocher le bras sur les barres d'armature et soulevez l'outil.

⚠ ATTENTION : Si le fil métallique s'est accroché à la pièce de pincement de la pointe de l'outil, mettez l'outil hors tension. Verrouillez la gâchette, retirez la batterie et retirez le fil métallique au moyen d'un outil comme une pince.

► Fig.27

Mode continu

1. Permutez le mode de l'outil entre le mode séquentiel et le mode continu au moyen du bouton de changement de mode.

► Fig.28: 1. Bouton de changement de mode

2. Déverrouillez la gâchette.

3. Tout en enclenchant la gâchette, poussez verticalement l'outil contre les barres d'armature et appuyez le bras à un angle de 45 degrés contre le point où les barres d'armature se croisent. Appuyez fermement la plaque de contact contre le point de ligature. Le fil métallique sera ligaturé.

► Fig.29: 1. Plaque de contact

4. Après la ligature, prenez garde de ne pas accrocher le bras sur les barres d'armature et soulevez l'outil.

► Fig.30

Précautions relatives au travail

- Si vous déplacez le bras depuis la position de ligature pendant la ligature du fil métallique, le fil métallique adhérerait au crochet, ce qui peut provoquer une ligature incorrecte.
- Continuez à appuyer l'outil contre les barres d'armature jusqu'à ce que la ligature du fil métallique soit terminée.
- Ne passez pas au point de ligature suivant tant que la ligature de fil métallique actuelle n'est pas terminée.
- La pièce en rotation de la pointe de l'outil (crochet) torsade le fil métallique pendant la ligature du fil. Tenez fermement la poignée de sorte que votre corps ne soit pas tiré par l'outil.
- Ne touchez pas les fils métalliques pendant la ligature.
- Si vous répétez la ligature du fil métallique dans le mode séquentiel, relâchez complètement votre doigt de la gâchette. Puis, continuez à actionner la gâchette.
- Si vous enclenchez la gâchette alors qu'il n'y a plus de fil métallique à ligaturer, une erreur s'affichera. Remplacez par un fil métallique à ligaturer neuf et redémarrez l'outil.

Conseils pour la ligature

• Inclinez l'outil à un angle de 45° par rapport aux barres d'armature croisées et ligaturez en alternance comme illustré sur la figure.

► Fig.31

• Évitez les parties bombées des barres d'armature.

► Fig.32

- Si la force de ligature est insuffisante, changez l'orientation de la ligature et effectuez deux fois la ligature de sorte à augmenter la force de ligature.

► Fig.33

REMARQUE : Lorsque vous faites la deuxième ligature, pliez la queue de la première ligature avant de faire la deuxième. Autrement, le fil métallique pourrait être repoussé une deuxième fois. Il pourrait s'accrocher à la pointe de l'outil et endommager le crochet.

Remplacement des fils métalliques à ligaturer

⚠ ATTENTION : Lorsque vous remplacez le fil métallique, veillez à mettre l'outil hors tension, à verrouiller la gâchette et à retirer la batterie. Le non-respect de cette précaution pourrait provoquer un accident.

1. Lorsque le fil métallique est épuisé, un bip d'erreur retentit et l'erreur 1 s'affiche.

2. Verrouillez la gâchette, mettez l'outil hors tension et retirez la batterie.

3. Poussez le levier de déverrouillage et bloquez-le avec le levier de verrouillage.

► Fig.34: 1. Levier de déverrouillage 2. Levier de verrouillage

4. Retirez la bobine de fil de l'outil.

NOTE : Lorsque le fil métallique est normalement épuisé, environ 20 cm de fil reste enroulé sur la bobine. Dans cet état, remplacez la bobine de fil par une neuve.

S'il s'avère difficile de retirer la bobine de fil de l'outil, suivez les étapes ci-dessous.

1. Insérez la batterie dans l'outil et mettez-le sous tension. L'outil alimente le fil métallique et le coupe automatiquement.

2. Verrouillez la gâchette, mettez l'outil hors tension et retirez la batterie.

3. Retirez les bris de fil métallique au moyen d'un outil comme une pince.

ENTRETIEN

⚠ ATTENTION : Assurez-vous toujours que l'outil est hors tension et que la batterie est retirée avant d'y effectuer tout travail d'inspection ou d'entretien.

REMARQUE : N'utilisez jamais d'essence, benzine, diluant, alcool ou autre produit similaire. Cela risquerait de provoquer la décoloration, la déformation ou la fissuration de l'outil.

Pour assurer la SÉCURITÉ et la FIABILITÉ du produit, toute réparation, tout travail d'entretien ou de réglage doivent être effectués par un centre d'entretien Makita agréé, avec des pièces de rechange Makita.

Rangement de la clé hexagonale

Rangez la clé hexagonale dans la position illustrée sur la figure.

► **Fig.35:** 1. Clé hexagonale

Nettoyage de l'outil de coupe

Lorsque l'outil est utilisé pendant une période prolongée, de la poussière et des particules de fil métallique peuvent adhérer à la section de coupe. Dans ce cas, démontez et nettoyez l'outil de coupe en procédant comme suit.

Si un fil métallique est pris dans la section de coupe, il peut être retiré en suivant la même procédure.

Démontage et nettoyage

1. Desserrez les boulons A et B au moyen de la clé hexagonale incluse dans l'emballage de l'outil.

► **Fig.36:** 1. Boulon A 2. Boulon B 3. Couvercle de la plaque de contact 4. Guide-fil B

REMARQUE : Ne retirez pas de force des boulons qui ne peuvent pas être retirés au moyen de la clé hexagonale.

2. Tirez vers le haut le couvercle de la plaque de contact dans le sens de la flèche et déposez-le. Le boulon B sera retiré en même temps.

► **Fig.37:** 1. Couvercle de la plaque de contact
2. Boulon B

3. Retirez le boulon A et retirez le guide-fil B.

► **Fig.38:** 1. Boulon A 2. Guide-fil B

4. Retournez le guide-fil B et nettoyez son intérieur.

► **Fig.39**

5. Déposez l'outil de coupe A, l'outil de coupe B, la plaque supérieure et le bras de liaison A de la plaque du bras A. Puis nettoyez-les.

► **Fig.40:** 1. Outil de coupe B 2. Bras de liaison A
3. Outil de coupe A 4. Plaque du bras A
5. Plaque supérieure

Assemblage

Une fois le nettoyage terminé, assemblez les pièces en procédant comme suit.

1. Installez l'outil de coupe A et le bras de liaison A pour correspondre à la forme de la plaque du bras A.

► **Fig.41:** 1. Outil de coupe A 2. Bras de liaison A
3. Plaque du bras A

2. Installez l'outil de coupe B et la plaque supérieure sur la plaque du bras A.

(Installez l'outil de coupe B sur l'outil de coupe A et le bras de liaison A.)

► **Fig.42:** 1. Outil de coupe B 2. Plaque supérieure
3. Plaque du bras A 4. Outil de coupe A
5. Bras de liaison A

REMARQUE : Tournez les saillies de l'outil de coupe B vers le bas et installez l'outil de coupe comme illustré sur la figure.

3. Alignez le tuyau de l'outil avec la rainure à l'intérieur du guide-fil B et assemblez-les.

► **Fig.43:** 1. Tuyau 2. Rainure 3. Guide-fil B

4. Fixez le guide-fil B en serrant provisoirement le boulon A.

► **Fig.44:** 1. Boulon A 2. Guide-fil B

5. Installez le couvercle de la plaque de contact dans le sens de la flèche.

► **Fig.45:** 1. Couvercle de la plaque de contact

6. Fixez le guide-fil B et le couvercle de la plaque de contact solidement en serrant le boulon A et le boulon B.

► **Fig.46:** 1. Guide-fil B 2. Couvercle de la plaque de contact 3. Boulon A 4. Boulon B

7. Après l'assemblage, confirmez que la plaque de contact peut bouger comme illustré sur la figure.

► **Fig.47:** 1. Plaque de contact

NOTE : Si la plaque de contact est coincée, appuyez dessus comme illustré sur la figure.

► **Fig.48**

Affichage d'erreur et bip d'erreur

⚠ ATTENTION : Pendant l'inspection, veillez à verrouiller la gâchette, mettre l'outil hors tension et retirer la batterie. Le non-respect de cette précaution pourrait provoquer un accident.

⚠ ATTENTION : Lorsque vous mettez l'outil sous tension, n'approchez jamais vos membres ou votre visage des pièces de pincement ou des pièces en rotation de la pointe de l'outil. Autrement, vous pourriez être blessé.

⚠ ATTENTION : Lorsque vous mettez l'outil sous tension, ne touchez jamais les pièces de pincement ou les pièces en rotation de la pointe de l'outil. Autrement, vous pourriez être blessé.

⚠ ATTENTION : Si un bip d'erreur retentit ou si l'outil présente un dysfonctionnement, cessez immédiatement d'utiliser l'outil.

Bip d'erreur et affichage

En cas d'erreur, un bip d'erreur retentit et un numéro d'erreur apparaît sur l'écran d'affichage. Consultez le tableau suivant et prenez les mesures adéquates. Si l'erreur persiste, sollicitez des réparations à un centre de service après-vente Makita agréé.

Affichage	Symptôme	Cause possible	Solution
1	L'outil cesse de fonctionner.	Le fil métallique est épuisé.	Chargez du fil métallique à ligaturer neuf.
		Le fil métallique à ligaturer n'est pas chargé.	Chargez du fil métallique à ligaturer.
		Échec de l'alimentation du fil métallique.	Vérifiez l'orientation du fil métallique à ligaturer. Déchargez le fil métallique à ligaturer et rechargez-le. Nettoyez le chemin du fil métallique.
2	L'outil cesse de fonctionner.	Le guide de boucle est ouvert.	Refermez le guide de boucle.
3	L'outil n'effectue pas la ligature en mode continu.	La plaque de contact est coincée.	Libérez la plaque de contact coincée.
4	L'outil ne démarre pas. L'outil cesse de fonctionner.	La batterie est déchargée. La température de la batterie est anormalement élevée.	Rechargez la batterie. Refroidissez la batterie. Remplacez la batterie par une batterie chargée.
5	L'outil cesse de fonctionner.	Le moteur est surchargé.	Déterminez la cause de l'obstruction de la rotation du moteur pour résoudre le problème.
		Défaillance du moteur	
6	L'outil cesse de fonctionner.	La température de l'outil est anormalement élevée.	Refroidissez l'outil.
7	L'outil ne démarre pas. L'outil cesse de fonctionner.	Défaillance de l'outil	Sollicitez des réparations à un centre de service après-vente Makita agréé.

ACCESSOIRES EN OPTION

⚠ ATTENTION : Ces accessoires ou pièces complémentaires sont recommandés pour l'utilisation avec l'outil Makita spécifié dans ce mode d'emploi. L'utilisation de tout autre accessoire ou pièce complémentaire peut comporter un risque de blessure. N'utilisez les accessoires ou pièces complémentaires qu'aux fins auxquelles ils ont été conçus.

Pour obtenir plus de détails sur ces accessoires, contactez votre centre d'entretien local Makita.

- Fil métallique à ligaturer
- Batterie et chargeur de marque Makita

NOTE : Il se peut que certains éléments de la liste soient compris dans l'emballage de l'outil en tant qu'accessoires standard. Ils peuvent varier d'un pays à l'autre.

TECHNISCHE DATEN

Modell:	DTR180
Bindedraht (Sonderzubehör)	ø0,8 mm
Durchmesser von Bewehrungsstäben, die gebunden werden können	Von #3 x #3 bis (#4 x 2) x (#4 x 2) Von 10 mm x 10 mm bis (13 mm x 2) x (13 mm x 2)
Ungefähre Anzahl von Bindungen pro Spule	Ca. 120 Bindungen
Gesamtlänge	304 mm
Nennspannung	14,4/18 V Gleichstrom
Nettogewicht	2,3 - 2,6 kg

- Wir behalten uns vor, Änderungen der technischen Daten im Zuge der Entwicklung und des technischen Fortschritts ohne vorherige Ankündigung vorzunehmen.
- Die technischen Daten und der Akku können von Land zu Land unterschiedlich sein.
- Das Gewicht kann abhängig von dem Aufsatz (den Aufsätzen), einschließlich des Akkus, unterschiedlich sein. Die leichteste und die schwerste Kombination, gemäß dem EPTA-Verfahren 01/2014, sind in der Tabelle angegeben.

Zutreffende Akkus und Ladegeräte

Akku	14,4-V-Gleichstrom-Modell	BL1415N / BL1430 / BL1430B / BL1440 / BL1450 / BL1460B
	18-V-Gleichstrom-Modell	BL1815N / BL1820 / BL1820B / BL1830 / BL1830B / BL1840 / BL1840B / BL1850 / BL1850B / BL1860B
Ladegerät		DC18RC / DC18RD / DC18RE / DC18SD / DC18SE / DC18SF

- Einige der oben aufgelisteten Akkus und Ladegeräte sind je nach Ihrem Wohngebiet eventuell nicht erhältlich.

⚠️ WARNUNG: Verwenden Sie nur die oben aufgeführten Akkus und Ladegeräte. Bei Verwendung irgendwelcher anderer Akkus und Ladegeräte besteht Verletzungs- und/oder Brandgefahr.

Kombination von Bewehrungsstäben, die gebunden werden können

Kombination von 2 Bewehrungsstäben

	#3 (10 mm)	#4 (13 mm)	#5 (16 mm)
#3 (10 mm)	✓	✓	✓
#4 (13 mm)	✓	✓	✓
#5 (16 mm)	✓	✓	✓

Kombination von 3 Bewehrungsstäben

	#3 x #3 (10 mm x 10 mm)	#4 x #4 (13 mm x 13 mm)
#3 (10 mm)	✓	✓
#4 (13 mm)	✓	✓
#5 (16 mm)	✓	-

Kombination von 4 Bewehrungsstäben

	#3 x #3 (10 mm x 10 mm)	#4 x #4 (13 mm x 13 mm)
#3 x #3 (10 mm x 10 mm)	✓	✓
#4 x #4 (13 mm x 13 mm)	✓	✓

ANMERKUNG: Falls eine Lücke zwischen Bewehrungsstäben besteht oder das Werkzeug in einer falschen Orientierung verwendet wird, können die Bewehrungsstäbe u. U. nicht gebunden werden.

Symbole

Nachfolgend werden die für das Gerät verwendete Symbole beschrieben. Machen Sie sich vor der Benutzung mit ihrer Bedeutung vertraut.



Betriebsanleitung lesen.



Schutzbrille tragen.



Setzen Sie das Gerät keinem Regen aus.



Halten Sie Ihre Hände beim Betrieb des Werkzeugs von der Drahtrolle oder dem Draht fern.



Halten Sie Ihre Hände von der Werkzeugspitze fern.



Nur für EU-Länder
Werfen Sie Elektrogeräte oder Akkus nicht in den Hausmüll!

Unter Einhaltung der Europäischen Richtlinie über Elektro- und Elektronik-Altgeräte, Batterien, Akkus sowie verbrauchte Batterien und Akkus und ihre Umsetzung gemäß den Landesgesetzen müssen Elektrogeräte und Batterien bzw. Akkus, die das Ende ihrer Lebensdauer erreicht haben, getrennt gesammelt und einer umweltgerechten Recycling-Einrichtung zugeführt werden.

Vorgesehene Verwendung

Das Werkzeug ist zum Binden von Bewehrungsstäben vorgesehen.

Geräusch

Typischer A-bewerteter Geräuschpegel ermittelt gemäß EN60745-2-18 (EN12549):

Schalldruckpegel (L_{pA}): 78 dB (A)

Messunsicherheit (K): 3 dB (A)

Der Geräuschpegel kann während des Betriebs 80 dB (A) überschreiten.

⚠️ WARNUNG: Einen Gehörschutz tragen.

Schwingungen

Schwingungsgesamtwert (Drei-Achsen-Vektorsumme) ermittelt gemäß EN60745-2-18 (ISO8662-11):

Arbeitsmodus: Binden von Metallstangen

Schwingungsemission (a_h): 2,5 m/s^2 oder weniger

Messunsicherheit (K): 1,5 m/s^2

HINWEIS: Der angegebene Schwingungsemissionswert wurde im Einklang mit der Standardprüfmethode gemessen und kann für den Vergleich zwischen Werkzeugen herangezogen werden.

HINWEIS: Der angegebene Schwingungsemissionswert kann auch für eine Vorbewertung des Gefährdungsgrads verwendet werden.

⚠️ WARNUNG: Die Schwingungsemission während der tatsächlichen Benutzung des Werkzeugs kann je nach der Benutzungsweise des Werkzeugs vom angegebenen Emissionswert abweichen.

⚠️ WARNUNG: Identifizieren Sie Sicherheitsmaßnahmen zum Schutz des Benutzers anhand einer Schätzung des Gefährdungsgrads unter den tatsächlichen Benutzungsbedingungen (unter Berücksichtigung aller Phasen des Arbeitszyklus, wie z. B. Ausschalt- und Leerlaufzeiten des Werkzeugs zusätzlich zur Betriebszeit).

EG-Konformitätserklärung

Nur für europäische Länder

Die EG-Konformitätserklärung ist als Anhang A in dieser Bedienungsanleitung enthalten.

SICHERHEITSWARNUNGEN

Allgemeine Sicherheitswarnungen für Elektrowerkzeuge

⚠️ WARNUNG: Lesen Sie alle mit diesem Elektrowerkzeug gelieferten Sicherheitswarnungen, Anweisungen, Abbildungen und technischen Daten durch. Eine Missachtung der unten aufgeführten Anweisungen kann zu einem elektrischen Schlag, Brand und/oder schweren Verletzungen führen.

Bewahren Sie alle Warnungen und Anweisungen für spätere Bezugnahme auf.

Der Ausdruck „Elektrowerkzeug“ in den Warnhinweisen bezieht sich auf Ihr mit Netzstrom (mit Kabel) oder Akku (ohne Kabel) betriebenes Elektrowerkzeug.

Sicherheitswarnungen für Akku-Drahtbindemaschine

1. **Richten Sie das Werkzeug niemals auf eine Person. Halten Sie niemals Ihre Hände oder Füße in die Nähe der Werkzeugspitze.** Falls Sie das Werkzeug versehentlich betätigen, während es mit einer Person in Kontakt ist, führt das zu einem unerwarteten Unfall.
2. **Laden Sie keinen Draht, während die Stromversorgung des Werkzeugs eingeschaltet ist.** Anderenfalls können Sie im Draht hängen bleiben und verletzt werden.

3. **Benutzen Sie das Werkzeug nicht, ohne die Rollenabdeckung zu schließen.** Anderenfalls kann sich die Drahtrolle lösen und einen Unfall verursachen.
4. **Prüfen Sie vor Beginn der Arbeit unbedingt, dass die Durchmesser der zu bindenden Bewehrungsstäbe innerhalb der Werkzeugkapazität liegen.**
5. **Tragen Sie Kleidung mit eng anliegenden Säumen und Ärmeln. Arbeiten Sie nicht, wenn ein Handtuch oder ein anderer Gegenstand um Ihren Hals gewickelt ist.** Anderenfalls können sie sich im rotierenden Teil verfangen und einen Unfall verursachen.
6. **Überprüfen Sie unbedingt die folgenden Punkte, bevor Sie das Werkzeug benutzen.**
 - Stellen Sie sicher, dass keine Teile beschädigt sind.
 - Stellen Sie sicher, dass keine Schrauben locker sind.
 - Stellen Sie sicher, dass die Sicherheitsvorrichtungen normal funktionieren.
7. **Falls Sie irgendwelche Unregelmäßigkeiten feststellen, brechen Sie sofort die Benutzung des Werkzeugs ab. Unterlassen Sie eigenmächtige Reparaturen des Werkzeugs. Wenden Sie sich bezüglich einer Reparatur an Ihre örtliche Makita-Kundendienststelle.** Wird das Werkzeug in einem unvollständigen Zustand benutzt, kann ein Unfall auftreten.
8. **Wenn Sie den Akku installieren, verriegeln Sie unbedingt den Auslöser, und legen Sie nicht Ihren Finger auf den Auslöser.** Fehlbedienung kann einen Unfall verursachen.
9. **Achten Sie beim Binden von Bewehrungsstäben darauf, dass sie nicht verschoben werden.** Falls Bewehrungsstäbe sich durch das Binden verschieben, können Sie verletzt werden.
10. **Berühren Sie nicht die Drähte während des Drahtbindevorgangs.** Anderenfalls können Sie im Draht hängen bleiben und verletzt werden.
11. **Bringen Sie während des Drahtbindevorgangs nicht Ihre Hände in die Nähe des Bindepunkts.** Anderenfalls können Sie im Draht hängen bleiben und verletzt werden.
12. **Halten Sie den Griff des Werkzeugs während des Drahtbindevorgangs sicher fest.** Anderenfalls kann Ihr Handgelenk verdreht oder Ihr Körper gezo-gen werden, was zu einer Verletzung führen kann.
13. **Gehen Sie nicht eher zum nächsten Bindepunkt über, bis der aktuelle Drahtbindevorgang abgeschlossen ist.** Anderenfalls können Sie verletzt werden.
14. **Achten Sie während des Drahtbindevorgangs auf das Drahtende.** Anderenfalls kann Ihre Hand vom Drahtende erfasst werden, so dass Sie verletzt werden können.
15. **Berühren Sie während des Drahtbindevorgangs nicht die Kontaktplatte. Wenn Sie die Kontaktplatte berühren müssen, verriegeln Sie unbedingt den Auslöser, oder schalten Sie den Ein-Aus-Schalter aus, und entfernen Sie den Akku.** Anderenfalls können Sie verletzt werden.
16. **Wenn Sie den Drahtbindevorgang abgeschlossen haben, ziehen Sie das Werkzeug senkrecht nach oben.** Anderenfalls kann der Arm an Bewehrungsstäben hängen bleiben, was einen Unfall verursachen kann.
17. **Achten Sie darauf, dass Sie das Werkzeug nicht fallen lassen, anstoßen oder schlagen. Falls das Werkzeug vor der Benutzung einer starken Erschütterung ausgesetzt wird, vergewissern Sie sich, dass das Werkzeug nicht beschädigt oder gerissen ist, und dass die Sicherheitsvorrichtungen normal funktionieren.** Anderenfalls kann ein Unfall auftreten.
18. **Sollte eines der folgenden Phänomene auftreten, verriegeln Sie den Auslöser, schalten Sie den Ein-Aus-Schalter aus, und entfernen Sie den Akku vom Werkzeug.** Falls das Werkzeug nicht richtig funktioniert, kann ein Unfall auftreten.
 - Falls ein Betriebsgeräusch zu hören ist, sobald der Akku montiert wird.
 - Falls Überhitzung oder ungewöhnliche Geräusche festgestellt werden.
 - Wenn Sie Maßnahmen in Reaktion auf die Fehleranzeige ergreifen. (Wenden Sie sich bezüglich einer Reparatur an Ihre örtliche Makita-Kundendienststelle.)
 - Wenn Sie eine Drahtrolle einlegen oder herausnehmen.
 - Wenn Sie sich bewegen, während Sie das Werkzeug während der Arbeit halten.
 - Wenn Sie das Werkzeug nicht benutzen.
 - Wenn Sie das Werkzeug überprüfen oder einstellen.
 - Wenn Sie einen festsitzenden Draht entfernen.
19. **Wenn Sie auf einem Gerüst arbeiten, sorgen Sie stets für dessen Stabilisierung, und arbeiten Sie mit einer Körperhaltung, bei der gewährleistet ist, dass Sie Ihre Balance behalten.** Falls das Gerüst instabil ist, kann ein Unfall auftreten.
20. **Wenn Sie auf einem Dach oder an ähnlichen Orten arbeiten, bewegen Sie sich während der Arbeit in einer Vorwärtsrichtung, damit Sie sehen können, wohin Sie gehen.** Falls Sie sich während der Arbeit in einer Rückwärtsrichtung bewegen, können Sie Ihren Halt verlieren und einen Unfall verursachen.
21. **Wenn Sie an einem hoch gelegenen Ort arbeiten, stellen Sie sicher, dass sich keine Personen unter Ihnen befinden, und achten Sie darauf, dass Sie während der Arbeit keine Werkzeuge fallen lassen.** Fallenlassen des Werkzeugs kann einen Unfall verursachen.
22. **Benutzen Sie das Werkzeug nur zum Drahtbinden.** Anderenfalls kann ein Unfall auftreten.
23. **Verwenden Sie stets Originaldrähte von Makita. Wenn Drähte längere Zeit nicht verwendet werden, können sie rosten. Verwenden Sie keine verrosteten Drähte.** Anderenfalls können sie einen Unfall verursachen.
24. **Überprüfen Sie die Drähte nach dem Binden auf Bruch durch übermäßiges Verdrehen. Falls Drähte gebrochen sind, geht die Bindestärke verloren. Stellen Sie die Bindestärke ein, und binden Sie die Bewehrungsstäbe erneut.**
25. **Halten Sie den Arm sicher gegen die Bewehrungsstäbe.** Wird der Arm nicht sicher positioniert, entsteht eine Lücke zwischen den Bewehrungsstäben, wodurch die Bindestärke beeinträchtigt wird.

Wichtige Sicherheitsanweisungen für Akku

1. Lesen Sie vor der Benutzung des Akkus alle Anweisungen und Warnhinweise, die an (1) Ladegerät, (2) Akku und (3) Akkuwerkzeug angebracht sind.
2. Unterlassen Sie ein Zerlegen des Akkus.
3. Falls die Betriebszeit beträchtlich kürzer geworden ist, stellen Sie den Betrieb sofort ein. Anderenfalls besteht die Gefahr von Überhitzung, möglichen Verbrennungen und sogar einer Explosion.
4. Falls Elektrolyt in Ihre Augen gelangt, waschen Sie sie mit sauberem Wasser aus, und begeben Sie sich unverzüglich in ärztliche Behandlung. Anderenfalls können Sie Ihre Sehkraft verlieren.
5. Der Akku darf nicht kurzgeschlossen werden:
 - (1) Die Kontakte dürfen nicht mit leitfähigem Material berührt werden.
 - (2) Lagern Sie den Akku nicht in einem Behälter zusammen mit anderen Metallgegenständen, wie z. B. Nägel, Münzen usw.
 - (3) Setzen Sie den Akku weder Wasser noch Regen aus.

Ein Kurzschluss des Akkus verursacht starken Stromfluss, der Überhitzung, mögliche Verbrennungen und einen Defekt zur Folge haben kann.

6. Lagern Sie das Werkzeug und den Akku nicht an Orten, an denen die Temperatur 50 °C erreichen oder überschreiten kann.
7. Versuchen Sie niemals, den Akku zu verbrennen, selbst wenn er stark beschädigt oder vollkommen verbraucht ist. Der Akku kann im Feuer explodieren.
8. Achten Sie darauf, dass der Akku nicht fallen gelassen oder Stößen ausgesetzt wird.
9. Benutzen Sie keine beschädigten Akkus.
10. Die enthaltenen Lithium-Ionen-Akkus unterliegen den Anforderungen der Gefahrgut-Gesetzgebung.

Für kommerzielle Transporte, z. B. durch Dritte oder Spediteure, müssen besondere Anforderungen zu Verpackung und Etikettierung beachtet werden.

Zur Vorbereitung des zu transportierenden Artikels ist eine Beratung durch einen Experten für Gefahrgut erforderlich. Bitte beachten Sie möglicherweise ausführlichere nationale Vorschriften. Überkleben oder verdecken Sie offene Kontakte, und verpacken Sie den Akku so, dass er sich in der Verpackung nicht umher bewegen kann.
11. Befolgen Sie die örtlichen Bestimmungen bezüglich der Entsorgung von Akkus.
12. Verwenden Sie die Akkus nur mit den von Makita angegebenen Produkten. Das Einsetzen der Akkus in nicht konforme Produkte kann zu einem Brand, übermäßiger Hitzebildung, einer Explosion oder Auslaufen von Elektrolyt führen.

DIESE ANWEISUNGEN AUFBEWAHREN.

⚠ VORSICHT: Verwenden Sie nur Original-Makita-Akkus. Die Verwendung von Nicht-Original-Makita-Akkus oder von Akkus, die abgeändert worden sind, kann zum Bersten des Akkus und daraus resultierenden Bränden, Personenschäden und Beschädigung führen. Außerdem wird dadurch die Makita-Garantie für das Makita-Werkzeug und -Ladegerät ungültig.

Hinweise zur Aufrechterhaltung der maximalen Akku-Nutzungsdauer

1. Laden Sie den Akku, bevor er vollkommen erschöpft ist. Schalten Sie das Werkzeug stets aus, und laden Sie den Akku, wenn Sie ein Nachlassen der Werkzeugleistung feststellen.
2. Unterlassen Sie erneutes Laden eines voll aufgeladenen Akkus. Überladen führt zu einer Verkürzung der Nutzungsdauer des Akkus.
3. Laden Sie den Akku bei Raumtemperatur zwischen 10 – 40 °C. Lassen Sie einen heißen Akku abkühlen, bevor Sie ihn laden.
4. Der Akku muss geladen werden, wenn er lange Zeit (länger als sechs Monate) nicht benutzt wird.

FUNKTIONSBESCHREIBUNG

⚠ VORSICHT: Vergewissern Sie sich vor der Durchführung von Einstellungen oder Funktionsprüfungen des Werkzeugs stets, dass das Werkzeug ausgeschaltet und der Akku abgenommen ist.

Anbringen und Abnehmen des Akkus

⚠ VORSICHT: Schalten Sie das Werkzeug stets aus, bevor Sie den Akku anbringen oder abnehmen.

⚠ VORSICHT: Halten Sie das Werkzeug und den Akku beim Anbringen oder Abnehmen des Akkus sicher fest. Wenn Sie das Werkzeug und den Akku nicht sicher festhalten, können sie Ihnen aus der Hand rutschen, was zu einer Beschädigung des Werkzeugs und des Akkus und zu Körperverletzungen führen kann.

► **Abb.1:** 1. Rote Anzeige 2. Knopf 3. Akku

Ziehen Sie den Akku zum Abnehmen vom Werkzeug ab, während Sie den Knopf an der Vorderseite des Akkus verschieben.

Richten Sie zum Anbringen des Akkus dessen Führungsfeder auf die Nut im Gehäuse aus, und schieben Sie den Akku hinein. Schieben Sie ihn vollständig ein, bis er mit einem hörbaren Klicken einrastet. Falls die rote Anzeige an der Oberseite des Knopfes sichtbar ist, ist der Akku nicht vollständig verriegelt.

⚠ VORSICHT: Schieben Sie den Akku stets bis zum Anschlag ein, bis die rote Anzeige nicht mehr sichtbar ist. Anderenfalls kann er aus dem Werkzeug herausfallen und Sie oder umstehende Personen verletzen.

⚠ VORSICHT: Unterlassen Sie Gewaltanwendung beim Anbringen des Akkus. Falls der Akku nicht reibungslos hineingeleitet, ist er nicht richtig ausgerichtet.

Anzeigen der Akku-Restkapazität

Nur für Akkus mit Anzeige

► **Abb.2:** 1. Anzeigelampen 2. Prüftaste

Drücken Sie die Prüftaste am Akku, um die Akku-Restkapazität anzuzeigen. Die Anzeigelampen leuchten wenige Sekunden lang auf.

Anzeigelampen			Restkapazität
Erleuchtet	Aus	Blinkend	
			75 % bis 100 %
			50% bis 75%
			25% bis 50%
			0% bis 25%
			Den Akku aufladen.
			Möglicherweise liegt eine Funktionsstörung im Akku vor.

HINWEIS: Abhängig von den Benutzungsbedingungen und der Umgebungstemperatur kann die Anzeige geringfügig von der tatsächlichen Kapazität abweichen.

Werkzeug/Akku-Schutzsystem

Das Werkzeug ist mit einem Werkzeug/Akku-Schutzsystem ausgestattet. Dieses System schaltet die Stromversorgung des Motors automatisch ab, um die Lebensdauer von Werkzeug und Akku zu verlängern. Das Werkzeug bleibt während des Betriebs automatisch stehen, wenn das Werkzeug oder der Akku einer der folgenden Bedingungen unterliegt:

Überlastschutz

Wird der Akku auf eine Weise benutzt, die eine ungewöhnlich hohe Stromaufnahme bewirkt, bleibt das Werkzeug automatisch stehen, und die entsprechende Fehlernummer wird auf dem Anzeigefeld angezeigt. Schalten Sie in dieser Situation das Werkzeug aus, und brechen Sie die Arbeit ab, die eine Überlastung des Werkzeugs verursacht hat. Schalten Sie dann das Werkzeug wieder ein, um neu zu starten.

Überhitzungsschutz

Wenn das Werkzeug oder der Akku überhitzt wird, bleibt das Werkzeug automatisch stehen, und die entsprechende Fehlernummer wird auf dem Anzeigefeld angezeigt. Lassen Sie das Werkzeug und den Akku in diesem Fall abkühlen, bevor Sie das Werkzeug wieder einschalten.

Überentladungsschutz

Wenn die Akkukapazität unzureichend wird, bleibt das Werkzeug automatisch stehen, und die entsprechende Fehlernummer wird auf dem Anzeigefeld angezeigt. Nehmen Sie in diesem Fall den Akku vom Werkzeug ab, und laden Sie ihn auf.

Hauptbetriebsschalter

⚠ VORSICHT: Bringen Sie Ihre Gliedmaßen oder Ihr Gesicht beim Einschalten der Stromversorgung niemals in die Nähe der Binde- oder Rotationsteile der Werkzeugspitze. Anderenfalls können Sie verletzt werden.

⚠ VORSICHT: Berühren Sie beim Einschalten der Stromversorgung niemals die Binde- oder Rotationsteile der Werkzeugspitze. Anderenfalls können Sie verletzt werden.

⚠ VORSICHT: Nehmen Sie vor dem Einsetzen des Akkus unbedingt Ihre Finger vom Auslöseschalter, und verriegeln Sie den Auslöser. Falls Sie den Akku einsetzen, während der Auslöseschalter betätigt wird, kann ein Unfall verursacht werden, falls der Drahtbindevorgang versehentlich ausgeführt wird.

► **Abb.3**

Wenn Sie die Ein-Aus-Taste drücken, wird die Stromversorgung eingeschaltet, und die Bindemoduslampe leuchtet auf. Das Werkzeug wird vorübergehend in Betrieb gesetzt, damit es seine Ausgangsposition einstellen kann. Wenn die Einstellung abgeschlossen ist, bleibt das Werkzeug automatisch stehen. Wenn Sie die Ein-Aus-Taste erneut drücken, wird die Stromversorgung ausgeschaltet, und die Bindemoduslampe erlischt.

► **Abb.4:** 1. Bindemoduslampe 2. Ein-Aus-Taste

HINWEIS: Das Werkzeug verfügt über eine Abschaltautomatik. Wird der Auslöseschalter 10 Minuten lang nicht betätigt, schaltet sich das Werkzeug automatisch aus, um den Akku zu schonen.

HINWEIS: Um das Werkzeug wieder zu starten, schalten Sie die Stromversorgung wieder ein.


Betriebsart-Umschalttaste

Wenn die Stromversorgung eingeschaltet wird und die Bindemoduslampe aufleuchtet, können Sie den Einzelauslösungsmodus oder den Dauerauslösungsmodus über die Betriebsart-Umschalttaste wählen. Wenn Sie die Stromversorgung wieder einschalten, startet das Werkzeug in dem zuletzt gewählten Modus.

► **Abb.5:** 1. Betriebsart-Umschalttaste
2. Einzelauslösungsmodus
3. Dauerauslösungsmodus

Schalterfunktion

⚠️ WARNUNG: Vergewissern Sie sich vor dem Einsetzen des Akkus in das Werkzeug stets, dass der Ein-Aus-Schalter ordnungsgemäß funktioniert und beim Loslassen in die AUS-Stellung zurückkehrt.

⚠️ VORSICHT: Wenn Sie das Werkzeug nicht benutzen, drücken Sie den Auslöserspercknopf auf der Seite  hinein, um den Auslöseschalter in der Stellung AUS zu verriegeln.

► **Abb.6:** 1. Auslöseschalter 2. Auslöserspercknopf

Um versehentliche Betätigung des Auslöseschalters zu verhüten, ist das Werkzeug mit einem Auslöserspercknopf ausgestattet. Um das Werkzeug zu starten, drücken Sie den Auslöserspercknopf auf der Seite A hinein, und betätigen Sie den Auslöseschalter. Zum Anhalten lassen Sie den Auslöseschalter los. Drücken Sie den Auslöserspercknopf nach der Benutzung auf der Seite B hinein.

Wenn Sie den Auslöseschalter betätigen, führt das Werkzeug die nächsten sequentiellen Vorgänge wie folgt aus, und dann bleibt das Werkzeug automatisch stehen.

1. Draht zuführen.
2. Draht abschneiden.
3. Der Haken hält und verdreht den Draht.
4. Der Haken kehrt zur Ausgangsposition zurück.

Einstellung der Bindestärke

⚠️ VORSICHT: Verriegeln Sie unbedingt den Auslöser, bevor Sie mit der Einstellung beginnen. Bringen Sie Ihre Gliedmaßen oder Ihr Gesicht beim Einschalten der Stromversorgung niemals in die Nähe der Binde- oder Rotationsteile der Werkzeugschneidspitze. Anderenfalls können Sie verletzt werden.

► **Abb.7**

Sie können die Bindestärke mithilfe der Bindestärken-Einstelltaste festlegen. Die Bindestärke wird auf dem Anzeigefeld angezeigt.

► **Abb.8:** 1. Bindestärken-Einstelltaste 2. Anzeigefeld

Falls der Draht abbricht, geht die Bindestärke verloren. Überprüfen Sie den verdrehten Teil nach dem Binden auf Bruch. Falls der Draht abbricht, stellen Sie die Bindestärke mithilfe der Bindestärken-Einstelltaste ein, und binden Sie die Bewehrungsstäbe erneut.

Akku-Restladungsanzeige

Wenn die Akkuspannung unter das erforderliche Niveau abfällt, stellt das Werkzeug den Betrieb ein, ein Fehlerton ertönt, und die Nummer „4“ erscheint auf dem Anzeigefeld. Der Fehlerton ertönt so lange, bis die Stromversorgung ausgeschaltet wird.

HINWEIS: Bei äußerst niedriger Umgebungstemperatur kann der Fehlerton ertönen, selbst wenn der Akku noch genügend Spannung aufweist.

MONTAGE

⚠️ VORSICHT: Vergewissern Sie sich vor der Ausführung von Arbeiten am Werkzeug stets, dass das Werkzeug ausgeschaltet und der Akku abgenommen ist.

Einlegen des Bindedrahts (Drahtrolle)

⚠️ VORSICHT: Bevor Sie Bindedrähte und Zubehörteile montieren oder demontieren, sollten Sie unbedingt die Stromversorgung ausschalten, den Auslöser verriegeln und den Akku entfernen. Anderenfalls kann es zu einem Unfall kommen.

ANMERKUNG: Die Verwendung anderer Drähte als die Original-Bindedrähte von Makita (geglühte Drähte) kann eine Funktionsstörung des Werkzeugs verursachen.

1. Drücken Sie den Entriegelungshebel, und verriegeln Sie ihn mit dem Sperrhebel.

► **Abb.9:** 1. Entriegelungshebel 2. Sperrhebel

Wenn Sie den Entriegelungshebel drücken, entsteht eine Lücke zwischen dem linken und rechten Vorschubzahnrad.

► **Abb.10:** 1. Entriegelungshebel 2. Sperrhebel 3. Vorschubzahnrad

2. Lösen Sie das Band ab, das den Draht hält, und ziehen Sie das Drahtende heraus.

► **Abb.11:** 1. Band 2. Drahtende

3. Öffnen Sie die Rollenabdeckung.

► **Abb.12:** 1. Rollenabdeckung

4. Setzen Sie die Drahtrolle in das Werkzeug in der Orientierung ein, wie in der Abbildung gezeigt.

► **Abb.13:** 1. Drahtrolle

ANMERKUNG: Setzen Sie die Drahtrolle unbedingt in der Orientierung ein, wie in der Abbildung gezeigt. Wird die Rolle anders herum eingesetzt, wird der Draht freigegeben und kann verdreht werden.

5. Biegen Sie das Drahtende gerade, und führen Sie den Draht durch die Führung.

► **Abb.14:** 1. Führung

HINWEIS: Falls das Drahtende in verbogenem Zustand durch die Führung geführt wird, kann sich der Draht im Werkzeug verklemmen.

HINWEIS: Wenn Sie versuchen, den Draht gewaltsam durch die Führung zu führen, kann sich der Draht verklemmen.

6. Ziehen Sie den Draht ungefähr 10 mm weit von der Spitze des Arms heraus.

► **Abb.15:** 1. Arm 2. Ungefähr 10 mm

ANMERKUNG: Falls die Länge des herausgezogenen Drahtes unzureichend ist, kann der Draht beim Binden abbrechen, oder die Bindestärke kann wegen ungenügender Windungen beeinträchtigt werden.

7. Entfernen Sie das ganze Band, das den Draht hält.

► **Abb.16**

8. Wickeln Sie den Draht auf, um seinen Durchhang zu beseitigen.

► **Abb.17**

9. Lösen Sie den Sperrhebel. Der Entriegelungshebel kehrt zurück, und der Draht wird vom linken und rechten Zahnrad gehalten.

► **Abb.18:** 1. Entriegelungshebel 2. Sperrhebel

► **Abb.19:** 1. Zahnrad 2. Drahtgang 3. Draht

ANMERKUNG: Wenn der Sperrhebel freigegeben wird und das linke und rechte Zahnrad miteinander kämmen, bilden die Nuten in den Zahnrädern einen Hohlraum. Dieser Hohlraum wird der Gang für den Draht. Vergewissern Sie sich, dass der Draht durch diesen Gang verläuft.

10. Schließen Sie die Rollenabdeckung.

► **Abb.20:** 1. Rollenabdeckung

BETRIEB

Überprüfung vor der Arbeit

VORSICHT: Falls das Werkzeug ein auf den Sicherheitsmechanismus bezogenes Problem aufweist, benutzen Sie es nicht. Falls Sie es weiter benutzen, kann ein Unfall auftreten.

Vergewissern Sie sich vor der Benutzung des Werkzeugs, dass der Sicherheitsmechanismus einwandfrei funktioniert. Falls das Werkzeug läuft, ohne dass der Sicherheitsmechanismus funktioniert, brechen Sie die Benutzung des Werkzeugs sofort ab. Wenden Sie sich bezüglich einer Reparatur an Ihre örtliche Makita-Kundendienststelle.

Überprüfen der Auslösersperre

Das Werkzeug weist eine Auslösersperre auf, die den Betrieb des Werkzeugs verhindert, wenn Sie nicht beabsichtigen, es zu benutzen. Sperren Sie den Auslöser, und prüfen Sie nach, dass der Auslöserschalter nicht betätigt werden kann.

Überprüfen der Windungsführung

Um zu verhindern, dass der Bediener die Binde- oder Rotationsteile der Werkzeugspitze versehentlich berührt, läuft das Werkzeug bei offener Windungsführung nicht, selbst wenn der Auslöserschalter betätigt wird. Wenn der Bediener seinen Finger vom Auslöserschalter nimmt und die Windungsführung schließt, kann das Werkzeug in Betrieb genommen werden.

► **Abb.21:** 1. Windungsführung

Überprüfen der Erkennung/ Schließen der Windungsführung

Entfernen Sie den Bindedraht, überprüfen Sie den Werkzeugbetrieb gemäß den folgenden Schritten, und vergewissern Sie sich, dass das Werkzeug bei offener Windungsführung nicht startet.

1. Schalten Sie die Stromversorgung aus, und lassen Sie die Windungsführung offen.

2. Schalten Sie die Stromversorgung ein.

Falls das Werkzeug nicht funktioniert und die Zahl „2“ auf dem Anzeigefeld erscheint, ist der Zustand des Werkzeugs normal. Schalten Sie die Stromversorgung aus, und schließen Sie die Windungsführung. Falls das Werkzeug funktioniert und kein Fehler auf dem Anzeigefeld erscheint, ist der Zustand des Werkzeugs anormal. Brechen Sie die Benutzung des Werkzeugs sofort ab, und wenden Sie sich bezüglich einer Reparatur an Ihre örtliche Makita-Kundendienststelle.

VORSICHT: Wenn Sie die Windungsführung öffnen und die Stromversorgung einschalten, um die Sperre zu überprüfen, halten Sie die Windungsführung so, wie in der Abbildung gezeigt. Bringen Sie Ihre Gliedmaßen oder Ihr Gesicht niemals in die Nähe der Binde- oder Rotationsteile der Werkzeugspitze. Anderenfalls können Sie verletzt werden.

► **Abb.22**

Bindearbeit

VORSICHT: Nehmen Sie vor dem Einsetzen des Akkus unbedingt Ihre Finger vom Auslöserschalter, und verriegeln Sie den Auslöser. Falls Sie den Akku einsetzen, während der Auslöserschalter betätigt wird, kann ein Unfall verursacht werden, falls der Drahtbindevorgang versehentlich ausgeführt wird.

VORSICHT: Bringen Sie Ihre Gliedmaßen oder Ihr Gesicht beim Einschalten der Stromversorgung niemals in die Nähe der Binde- oder Rotationsteile der Werkzeugspitze. Anderenfalls können Sie verletzt werden.

VORSICHT: Berühren Sie beim Einschalten der Stromversorgung niemals die Binde- oder Rotationsteile der Werkzeugspitze. Anderenfalls können Sie verletzt werden.

► **Abb.23**

Vorbereitung vor der Arbeit

1. Vergewissern Sie sich, dass der Akku abgenommen und der Auslöser verriegelt ist.

2. Setzen Sie den Akku in das Werkzeug ein, und schalten Sie die Stromversorgung ein. Beim Einschalten der Stromversorgung wird der Draht automatisch abgeschnitten.

ANMERKUNG: Vergewissern Sie sich, dass die Bindemoduslampe beim Einschalten der Stromversorgung aufleuchtet. Falls sie nicht aufleuchtet, laden Sie den Akku auf.

3. Lassen Sie die Auslösersperre los.

► **Abb.24:** 1. Auslösersperreknopf 2. Auslöserschalter 3. Ein-Aus-Taste 4. Bindemoduslampe

Einzelauslösungsmodus

1. Drücken Sie den Arm sicher gegen den Bindepunkt. Drücken Sie das Werkzeug senkrecht gegen die Bewehrungsstäbe, und drücken Sie den Arm gegen den Punkt, an dem sich die Bewehrungsstäbe in einem Winkel von 45 Grad schneiden.

► **Abb.25**

2. Betätigen Sie den Auslöseschalter einmal.

3. Der Draht wird vorgeschoben und automatisch abgeschnitten.

4. Der Haken hält und verdreht den Draht. Dann kehrt er auf die Ausgangsposition zurück, nachdem die Drähte gebunden worden sind.

► **Abb.26**

5. Achten Sie nach dem Binden darauf, dass der Arm nicht an den Bewehrungsstäben hängen bleibt, und ziehen Sie das Werkzeug hoch.

⚠ VORSICHT: Falls sich der Draht an den Bindeteil der Werkzeugspitze festgeklammert hat, schalten Sie die Stromversorgung des Werkzeugs aus. Verriegeln Sie den Auslöser, nehmen Sie den Akku ab, und entfernen Sie den Draht mithilfe eines Werkzeugs, wie z. B. einer Kneifzange oder Spitzzange.

► **Abb.27**

Dauerauslösungsmodus

1. Schalten Sie die Betriebsart des Werkzeugs mithilfe der Betriebsart-Umschalttaste von Einzelauslösungsmodus auf Dauerauslösungsmodus um.

► **Abb.28:** 1. Betriebsart-Umschalttaste

2. Lassen Sie die Auslösersperre los.

3. Drücken Sie das Werkzeug bei betätigtem Auslöseschalter senkrecht gegen die Bewehrungsstäbe, und drücken Sie den Arm gegen den Punkt, an dem sich die Bewehrungsstäbe in einem Winkel von 45 Grad schneiden. Drücken Sie die Kontaktplatte fest gegen den Bindepunkt. Der Draht wird gebunden.

► **Abb.29:** 1. Kontaktplatte

4. Achten Sie nach dem Binden darauf, dass der Arm nicht an den Bewehrungsstäben hängen bleibt, und ziehen Sie das Werkzeug hoch.

► **Abb.30**

Vorsichtshinweise zum Arbeiten

- Falls Sie den Arm während des Drahtbindevorgangs von der Bindeposition verlagern, bleibt der Draht am Haken hängen, was zu einem Bindefehler führen kann.
- Halten Sie das Werkzeug so lange gegen die Bewehrungsstäbe gedrückt, bis der Drahtbindevorgang abgeschlossen ist.
- Gehen Sie nicht eher zum nächsten Bindepunkt über, bis der aktuelle Drahtbindevorgang abgeschlossen ist.

- Der Rotationsteil (Haken) der Werkzeugspitze verdreht den Draht während des Drahtbindevorgangs. Halten Sie den Griff gut fest, damit Ihr Körper nicht vom Werkzeug gezogen wird.
- Berühren Sie nicht die Drähte während des Drahtbindevorgangs.
- Wenn Sie die Drahtbindevorgänge im Einzelauslösungsmodus wiederholen, lassen Sie den Auslöseschalter vollkommen los. Setzen Sie dann die Betätigung des Auslöseschalters fort.
- Falls Sie den Auslöseschalter betätigen, wenn kein Bindedraht mehr übrig ist, wird ein Fehler angezeigt. Legen Sie neuen Bindedraht ein, und starten Sie das Werkzeug erneut.

Bindetipps

- Neigen Sie das Werkzeug in einem Winkel von 45° zu den gekreuzten Bewehrungsstäben, und binden Sie abwechselnd, wie in der Abbildung gezeigt.

► **Abb.31**

- Vermeiden Sie die dickeren Abschnitte der Bewehrungsstäbe.

► **Abb.32**

- Falls die Bindestärke unzureichend ist, ändern Sie die Bindeorientierung, und führen Sie den Bindevorgang zweimal aus, um die Bindestärke zu erhöhen.

► **Abb.33**

ANMERKUNG: Wenn Sie den zweiten Bindevorgang ausführen, biegen Sie das Ende der ersten Bindung, bevor Sie die zweite Bindung vornehmen. Anderenfalls wird der Draht möglicherweise ein zweites Mal abgestoßen. Er kann sich an der Werkzeugspitze festklammern, und der Haken kann beschädigt werden.

Austauschen der Bindedrähte

⚠ VORSICHT: Wenn Sie den Draht austauschen, sollten Sie unbedingt die Stromversorgung ausschalten, den Auslöser verriegeln und den Akku entfernen. Anderenfalls kann es zu einem Unfall kommen.

1. Wenn der Draht aufgebraucht ist, ertönt ein Fehlerlaut, und der Fehler „1“ wird angezeigt.
2. Verriegeln Sie den Auslöser, schalten Sie die Stromversorgung aus, und entfernen Sie den Akku.
3. Drücken Sie den Entriegelungshebel, und verriegeln Sie ihn mit dem Sperrhebel.
► **Abb.34:** 1. Entriegelungshebel 2. Sperrhebel
4. Nehmen Sie die Drahtrolle aus dem Werkzeug heraus.

HINWEIS: Bei normalem Drahtverbrauch bleiben ungefähr 20 cm Draht auf der Rolle aufgewickelt. Ersetzen Sie die Drahtrolle in diesem Zustand durch eine neue.

Falls es schwierig ist, die Drahtrolle aus dem Werkzeug herauszunehmen, führen Sie die nachstehenden Schritte aus.

1. Setzen Sie den Akku in das Werkzeug ein, und schalten Sie die Stromversorgung ein. Das Werkzeug schiebt den Draht vor und schneidet ihn automatisch ab.
2. Verriegeln Sie den Auslöser, schalten Sie die Stromversorgung aus, und entfernen Sie den Akku.
3. Entfernen Sie die Drahtstücke mithilfe eines Werkzeugs, wie z. B. einer Kneifzange oder Spitzzange.

WARTUNG

⚠ VORSICHT: Vergewissern Sie sich vor der Durchführung von Inspektions- oder Wartungsarbeiten stets, dass das Werkzeug ausgeschaltet und der Akku abgenommen ist.

ANMERKUNG: Verwenden Sie auf keinen Fall Benzin, Waschbenzin, Verdünnern, Alkohol oder dergleichen. Solche Mittel können Verfärbung, Verformung oder Rissbildung verursachen.

Um die SICHERHEIT und ZUVERLÄSSIGKEIT dieses Produkts zu gewährleisten, sollten Reparaturen und andere Wartungs- oder Einstellarbeiten nur von Makita-Vertragswerkstätten oder Makita-Kundendienstzentren unter ausschließlicher Verwendung von Makita-Originalersatzteilen ausgeführt werden.

Aufbewahrung des Inbusschlüssels

Bewahren Sie den Inbusschlüssel an der in der Abbildung gezeigten Stelle auf.

- **Abb.35:** 1. Inbusschlüssel

Reinigen des Schneidglieds

Wenn das Werkzeug über eine längere Zeitspanne hinweg benutzt wird, können sich Staub und Drahtpartikel im Schneidgliedabschnitt ansammeln. Zerlegen und reinigen Sie in einem solchen Fall das Schneidglied nach dem folgenden Verfahren.

Falls sich ein Draht im Schneidgliedabschnitt verklemmt, kann er nach dem gleichen Verfahren entfernt werden.

Zerlegen und Reinigen

1. Lösen Sie die Schrauben A und B mit dem in der Werkzeugverpackung enthaltenen Inbusschlüssel.

- **Abb.36:** 1. Schraube A 2. Schraube B
3. Kontaktplattenabdeckung
4. Drahtführung B

ANMERKUNG: Unterlassen Sie gewaltsames Entfernen von Schrauben, die nicht mit dem Inbusschlüssel gelöst werden können.

2. Ziehen Sie die Kontaktplattenabdeckung in Pfeilrichtung hoch und weg. Gleichzeitig wird auch die Schraube B entfernt.
► **Abb.37:** 1. Kontaktplattenabdeckung 2. Schraube B
3. Entfernen Sie die Schraube A und die Drahtführung B.
► **Abb.38:** 1. Schraube A 2. Drahtführung B

4. Drehen Sie die Drahtführung B um, und reinigen Sie ihre Innenseite.

- **Abb.39**

5. Entfernen Sie Schneidglied A, Schneidglied B, Deckplatte und Gelenkarm A von der Armplatte A. Reinigen Sie dann die Teile.

- **Abb.40:** 1. Schneidglied B 2. Gelenkarm A 3. Schneidglied A 4. Armplatte A 5. Deckplatte

Montieren

Montieren Sie die Teile nach Abschluss der Reinigung nach dem folgenden Verfahren.

1. Installieren Sie Schneidglied A und Gelenkarm A so, dass sie an die Form der Armplatte A angepasst sind.

- **Abb.41:** 1. Schneidglied A 2. Gelenkarm A 3. Armplatte A

2. Installieren Sie Schneidglied B und Deckplatte an Armplatte A.

(Installieren Sie Schneidglied B an Schneidglied A und Gelenkarm A.)

- **Abb.42:** 1. Schneidglied B 2. Deckplatte 3. Armplatte A 4. Schneidglied A 5. Gelenkarm A

ANMERKUNG: Richten Sie den Vorsprung von Schneidglied B nach unten, und installieren Sie das Schneidglied so, wie in der Abbildung gezeigt.

3. Richten Sie das Rohr des Werkzeugs auf die Nut in der Drahtführung B aus, und bauen Sie die Teile zusammen.

- **Abb.43:** 1. Rohr 2. Nut 3. Drahtführung B

4. Befestigen Sie die Drahtführung B durch provisorisches Anziehen der Schraube A.

- **Abb.44:** 1. Schraube A 2. Drahtführung B

5. Installieren Sie die Kontaktplattenabdeckung in Pfeilrichtung.

- **Abb.45:** 1. Kontaktplattenabdeckung

6. Befestigen Sie die Drahtführung B und die Kontaktplattenabdeckung sicher durch Anziehen der Schraube A und der Schraube B.

- **Abb.46:** 1. Drahtführung B
2. Kontaktplattenabdeckung 3. Schraube A
4. Schraube B

7. Vergewissern Sie sich nach der Montage, dass sich die Kontaktplatte so bewegen kann, wie in der Abbildung gezeigt.

- **Abb.47:** 1. Kontaktplatte

HINWEIS: Falls die Kontaktplatte hängen bleibt, drücken Sie darauf, wie in der Abbildung gezeigt.

- **Abb.48**

Fehleranzeige und Fehlerton

⚠ VORSICHT: Denken Sie vor der Inspektion unbedingt daran, den Auslöser zu verriegeln, die Stromversorgung auszuschalten und den Akku zu entfernen. Anderenfalls kann es zu einem Unfall kommen.

⚠ VORSICHT: Bringen Sie Ihre Gliedmaßen oder Ihr Gesicht beim Einschalten der Stromversorgung niemals in die Nähe der Binde- oder Rotationsteile der Werkzeugspitze. Anderenfalls können Sie verletzt werden.

⚠ VORSICHT: Berühren Sie beim Einschalten der Stromversorgung niemals die Binde- oder Rotationsteile der Werkzeugspitze. Anderenfalls können Sie verletzt werden.

⚠ VORSICHT: Falls ein Fehlerton ertönt, oder eine Funktionsstörung am Werkzeug auftritt, brechen Sie sofort die Benutzung des Werkzeugs ab.

Fehlerton und Fehleranzeige

Falls ein Fehler auftritt, ertönt ein Fehlerton, und eine Fehlernummer erscheint auf dem Anzeigefeld. Nehmen Sie auf die folgende Tabelle Bezug, und ergreifen Sie entsprechende Maßnahmen. Falls der Fehler bestehen bleibt, wenden Sie sich bezüglich einer Reparatur an ein autorisiertes Makita-Servicecenter.

Anzeige	Symptom	Mögliche Ursache	Lösung
1	Das Werkzeug stellt den Betrieb ein.	Der Draht ist aufgebraucht worden.	Legen Sie neuen Bindedraht ein.
		Es ist kein Bindedraht eingelegt.	Legen Sie Bindedraht ein.
		Der Drahtvorschub hat versagt.	Überprüfen Sie die Orientierung des Bindedrahts. Nehmen Sie den Bindedraht heraus, und legen Sie ihn erneut ein. Reinigen Sie den Drahtgang.
2	Das Werkzeug stellt den Betrieb ein.	Die Windungsführung ist offen.	Schließen Sie die Windungsführung.
3	Das Werkzeug führt den Bindevorgang nicht im Dauerauslösungsmodus aus.	Die Kontaktplatte ist verklemmt.	Lösen Sie die Verklemmung der Kontaktplatte.
4	Das Werkzeug startet nicht. Das Werkzeug stellt den Betrieb ein.	Der Akku ist entladen. Die Temperatur des Akkus ist ungewöhnlich hoch.	Laden Sie den Akku auf. Kühlen Sie den Akku ab. Ersetzen Sie den Akku durch einen aufgeladenen.
5	Das Werkzeug stellt den Betrieb ein.	Der Motor ist überlastet.	Ermitteln Sie die Ursache der Behinderung der Motordrehung, und beheben Sie das Problem.
		Motorstörung	
6	Das Werkzeug stellt den Betrieb ein.	Die Temperatur des Werkzeugs ist ungewöhnlich hoch.	Kühlen Sie das Werkzeug ab.
7	Das Werkzeug startet nicht. Das Werkzeug stellt den Betrieb ein.	Werkzeugstörung	Wenden Sie sich bezüglich einer Reparatur an ein autorisiertes Makita-Servicecenter.

SONDERZUBEHÖR

⚠ VORSICHT: Die folgenden Zubehörteile oder Vorrichtungen werden für den Einsatz mit dem in dieser Anleitung beschriebenen Makita-Werkzeug empfohlen. Die Verwendung anderer Zubehörteile oder Vorrichtungen kann eine Verletzungsgefahr darstellen. Verwenden Sie Zubehörteile oder Vorrichtungen nur für ihren vorgesehenen Zweck.

HINWEIS: Manche Teile in der Liste können als Standardzubehör im Werkzeugsatz enthalten sein. Sie können von Land zu Land unterschiedlich sein.

Wenn Sie weitere Einzelheiten bezüglich dieser Zubehörteile benötigen, wenden Sie sich bitte an Ihre Makita-Kundendienststelle.

- Bindedraht
- Original-Makita-Akku und -Ladegerät

DATI TECNICI

Modello:	DTR180
Filo di legatura (accessorio opzionale)	ø0,8 mm
Diámetro dei ferri d'armatura che è possibile legare	Da #3 x #3 a (#4 x 2) x (#4 x 2) Da 10 mm x 10 mm a (13 mm x 2) x (13 mm x 2)
Numero approssimativo di legature per bobina	Circa 120 legature
Lunghezza complessiva	304 mm
Tensione nominale	14,4/18 V C.C.
Peso netto	2,3 - 2,6 kg

- A causa del nostro programma continuativo di ricerca e sviluppo, i dati tecnici sono soggetti a modifiche senza preavviso.
- I dati tecnici e la cartuccia della batteria potrebbero differire da nazione a nazione.
- Il peso può variare a seconda dell'accessorio o degli accessori, inclusa la cartuccia della batteria. La combinazione più leggera e quella più pesante, secondo la procedura EPTA 01/2014, sono indicate nella tabella.

Cartuccia della batteria e caricabatterie applicabili

Cartuccia della batteria	Modello da 14,4 V C.C.	BL1415N / BL1430 / BL1430B / BL1440 / BL1450 / BL1460B
	Modello da 18 V C.C.	BL1815N / BL1820 / BL1820B / BL1830 / BL1830B / BL1840 / BL1840B / BL1850 / BL1850B / BL1860B
Caricabatterie		DC18RC / DC18RD / DC18RE / DC18SD / DC18SE / DC18SF

- Alcune cartucce delle batterie e alcuni caricabatterie elencati sopra potrebbero non essere disponibili a seconda della propria area geografica di residenza.

⚠AVVERTIMENTO: Utilizzare solo le cartucce delle batterie e i caricabatterie elencati sopra. L'utilizzo di altre cartucce delle batterie e di altri caricabatterie potrebbe causare lesioni personali e/o un incendio.

Combinazione di ferri d'armatura che possono essere legati

Combinazione di 2 ferri d'armatura

	#3 (10 mm)	#4 (13 mm)	#5 (16 mm)
#3 (10 mm)	✓	✓	✓
#4 (13 mm)	✓	✓	✓
#5 (16 mm)	✓	✓	✓

Combinazione di 3 ferri d'armatura

	#3 x #3 (10 mm x 10 mm)	#4 x #4 (13 mm x 13 mm)
#3 (10 mm)	✓	✓
#4 (13 mm)	✓	✓
#5 (16 mm)	✓	-

Combinazione di 4 ferri d'armatura

	#3 x #3 (10 mm x 10 mm)	#4 x #4 (13 mm x 13 mm)
#3 x #3 (10 mm x 10 mm)	✓	✓
#4 x #4 (13 mm x 13 mm)	✓	✓

AVVISO: Qualora sia presente uno spazio tra i ferri d'armatura o l'utensile venga utilizzato con un orientamento errato, potrebbe non essere possibile legare i ferri d'armatura.

Simboli

La figura seguente mostra i simboli utilizzati per l'apparecchio. Accertarsi di comprendere il loro significato prima dell'uso.



Leggere il manuale d'uso.



Indossare occhiali di sicurezza.



Non esporre alla pioggia.



Tenere le mani lontane dalla bobina di filo o dal filo quando si utilizza l'utensile.



Tenere le mani lontane dalla punta dell'utensile.



Solo per le nazioni dell'EU
Non smaltire apparecchiature elettriche o batterie insieme ai rifiuti domestici!
In osservanza delle Direttive Europee sui rifiuti di apparecchiature elettriche ed elettroniche (RAEE), sulle batterie e gli accumulatori, nonché sulle batterie e gli accumulatori esausti, e dell'implementazione di tali direttive in conformità alle leggi locali, gli apparecchi elettrici e la/le batteria/e che hanno raggiunto la fine della loro vita utile devono essere raccolti separatamente e conferiti a una struttura di smaltimento ecocompatibile.

Uso previsto

Questo utensile è destinato alla legatura di ferri d'armatura.

Rumore

Livello tipico di rumore pesato A determinato in base allo standard EN60745-2-18 (EN12549):
Livello di pressione sonora (L_{pA}): 78 dB (A)
Incertezza (K): 3 dB (A)

Il livello del rumore nelle condizioni di lavoro può superare gli 80 dB (A).

AVVERTIMENTO: Indossare protezioni per le orecchie.

Vibrazioni

Valore totale delle vibrazioni (somma vettoriale triassiale) determinato in base allo standard EN60745-2-18 (ISO8662-11):

Modalità di lavoro: Legatura di aste metalliche
Emissione di vibrazioni (a_h): 2,5 m/s² o inferiore
Incertezza (K): 1,5 m/s²

NOTA: Il valore di emissione delle vibrazioni dichiarato è stato misurato in conformità al metodo standard di verifica, e può essere utilizzato per confrontare un utensile con un altro.

NOTA: Il valore di emissione delle vibrazioni dichiarato può venire utilizzato anche per una valutazione preliminare dell'esposizione.

AVVERTIMENTO: L'emissione delle vibrazioni durante l'utilizzo effettivo dell'utensile elettrico può variare rispetto al valore di emissione dichiarato, a seconda dei modi in cui viene utilizzato l'utensile.

AVVERTIMENTO: Accertarsi di identificare le misure di sicurezza per la protezione dell'operatore basate sulla stima dell'esposizione nelle condizioni effettive di utilizzo (tenendo presente tutte le parti del ciclo operativo, ad esempio le volte in cui l'utensile viene spento e quando gira a vuoto, oltre al tempo di attivazione).

Dichiarazione di conformità CE

Solo per i paesi europei

La dichiarazione di conformità CE è inclusa nell'Allegato A al presente manuale di istruzioni.

AVVERTENZE DI SICUREZZA

Avvertenze generali relative alla sicurezza dell'utensile elettrico

AVVERTIMENTO: Leggere tutte le avvertenze di sicurezza, le istruzioni, le illustrazioni e i dati tecnici forniti con il presente utensile elettrico. La mancata osservanza di tutte le istruzioni elencate di seguito potrebbe risultare in scosse elettriche, incendi e/o gravi lesioni personali.

Conservare tutte le avvertenze e le istruzioni come riferimento futuro.

Il termine "utensile elettrico" nelle avvertenze si riferisce sia all'utensile elettrico (cablato) nel funzionamento alimentato da rete elettrica che all'utensile elettrico (a batteria) nel funzionamento alimentato a batteria.

Avvertenze di sicurezza relative alla legatrice a batteria per ferri d'armatura

1. **Non puntare mai l'utensile verso una persona. Non posizionare mai mani e piedi in prossimità della punta dell'utensile.** Qualora l'utilizzatore attivasse accidentalmente l'utensile mentre è in contatto con una persona, causerebbe un incidente imprevisto.
2. **Non caricare il filo mentre l'utensile è acceso.** In caso contrario, l'utilizzatore potrebbe restare impigliato nel filo e subire lesioni personali.

3. **Non utilizzare l'utensile senza chiudere la copertura della bobina.** In caso contrario, la bobina di filo potrebbe staccarsi e causare un incidente.
4. **Accertarsi di verificare che i diametri dei ferri d'armatura da legare rientrino nella capacità dell'utensile, prima di iniziare il lavoro.**
5. **Indossare indumenti che abbiano orli e maniche aderenti. Non lavorare con un asciugamano o un altro oggetto avvolto intorno al collo.** In caso contrario, tali oggetti potrebbero restare impigliati nella parte rotante e causare un incidente.
6. **Accertarsi di ispezionare quanto segue, prima di utilizzare l'utensile.**
 - **Verificare che non vi siano parti danneggiate**
 - **Verificare che non vi siano bulloni allentati**
 - **Verificare che i dispositivi di sicurezza funzionino normalmente**
7. **Qualora si verifichi una qualsiasi anomalia, interrompere immediatamente l'utilizzo dell'utensile. Non riparare l'utensile da soli. Richiedere la riparazione a un centro di assistenza Makita locale.** Qualora l'utensile venga utilizzato in uno stato incompleto, potrebbe verificarsi un incidente.
8. **Quando si intende installare la cartuccia della batteria, accertarsi di bloccare il grilletto e non posizionare il dito sul grilletto.** Un funzionamento errato potrebbe causare un incidente.
9. **Quando si legano i ferri d'armatura, fare attenzione a non spostarli.** Qualora i ferri d'armatura si spostino a causa della legatura, l'utilizzatore potrebbe subire lesioni personali.
10. **Non toccare i fili durante l'operazione di legatura del filo.** In caso contrario, l'utilizzatore potrebbe restare impigliato nel filo e subire lesioni personali.
11. **Non avvicinare le mani al punto di legatura durante l'operazione di legatura del filo.** In caso contrario, l'utilizzatore potrebbe restare impigliato nel filo e subire lesioni personali.
12. **Mantenere saldamente l'impugnatura dell'utensile durante l'operazione di legatura del filo.** In caso contrario, il polso dell'utilizzatore potrebbe subire una torsione o il suo corpo potrebbe venire tirato, il che potrebbe risultare in lesioni personali.
13. **Non spostarsi al punto di legatura successivo fino al completamento dell'operazione di legatura del filo corrente.** In caso contrario, si potrebbero subire lesioni personali.
14. **Fare attenzione all'estremità del filo durante l'operazione di legatura del filo.** In caso contrario, la mano dell'utilizzatore potrebbe restare impigliata nell'estremità del filo, e l'utilizzatore potrebbe subire lesioni personali.
15. **Non toccare la piastra di contatto durante l'operazione di legatura del filo.** Qualora sia necessario toccare la piastra di contatto, accertarsi di bloccare il grilletto, oppure disattivare l'interruttore di accensione e rimuovere la cartuccia della batteria. In caso contrario, si potrebbero subire lesioni personali.
16. **Al completamento dell'operazione di legatura del filo, tirare l'utensile verso l'alto verticalmente.** In caso contrario, il braccio dell'utensile potrebbe restare impigliato nei ferri d'armatura, il che potrebbe causare un incidente.
17. **Fare attenzione a non far cadere, a non urtare e a non colpire l'utensile.** Qualora l'utensile subisca un forte impatto prima dell'utilizzo, accertarsi che l'utensile non sia danneggiato o spaccato, e che i dispositivi di sicurezza funzionino normalmente. In caso contrario, potrebbe verificarsi un incidente.
18. **Qualora si verifichi una delle situazioni seguenti, bloccare il grilletto, disattivare l'interruttore di accensione e rimuovere la cartuccia della batteria dall'utensile.** Qualora l'utensile funzioni in modo errato, potrebbe verificarsi un incidente.
 - **Qualora si senta un suono di funzionamento non appena si monta la cartuccia della batteria.**
 - **Qualora si noti un surriscaldamento o si sentano odori o rumori anomali.**
 - **Quando si stanno adottando delle misure correttive in risposta alla visualizzazione di un errore. (Richiedere la riparazione a un centro di assistenza Makita locale).**
 - **Quando si intende caricare o scaricare una bobina di filo.**
 - **Quando l'utilizzatore si sposta mentre tiene in mano l'utensile durante il lavoro.**
 - **Quando non si usa l'utensile.**
 - **Quando si ispeziona o si regola l'utensile.**
 - **Quando si rimuove un filo intrecciato.**
19. **Quando si intende lavorare su impalcature, stabilizzarle sempre e lavorare adottando una postura che assicuri il mantenimento dell'equilibrio.** Qualora le impalcature siano instabili, potrebbe verificarsi un incidente.
20. **Quando si intende lavorare su un tetto o ubicazioni simili, spostarsi muovendosi in avanti mentre si lavora, in modo da poter vedere quello che si sta facendo.** Qualora l'utilizzatore si sposti muovendosi all'indietro mentre lavora, potrebbe perdere l'appoggio sui piedi e causare un incidente.
21. **Se si sta lavorando in un'ubicazione estremamente elevata, accertarsi che non vi siano persone sotto di sé, e fare attenzione per assicurarsi di non far cadere alcun utensile durante il lavoro.** La caduta dell'utensile potrebbe causare un incidente.
22. **Non utilizzare l'utensile per lavori diversi dalla legatura di fili.** In caso contrario, potrebbe verificarsi un incidente.
23. **Utilizzare sempre fili originali Makita.** Qualora i fili non vengano utilizzati per un periodo di tempo prolungato, potrebbero arrugginire. Non utilizzare fili arrugginiti. In caso contrario, potrebbero causare un incidente.
24. **Dopo la legatura, controllare l'eventuale presenza di rotture dei fili a causa di torsione eccessiva.** Qualora un qualsiasi filo sia rotto, la forza della legatura viene persa. Regolare la forza della legatura, quindi legare nuovamente i ferri d'armatura.
25. **Appoggiare saldamente il braccio contro i ferri d'armatura.** Qualora il braccio non sia posizionato saldamente, si crea uno spazio tra i ferri d'armatura, e la forza della legatura viene compromessa.

Istruzioni di sicurezza importanti per la cartuccia della batteria

1. Prima di utilizzare la cartuccia della batteria, leggere tutte le istruzioni e le avvertenze riportate (1) sul caricabatteria, (2) sulla batteria e (3) sul prodotto che utilizza la batteria.
2. Non smontare la cartuccia della batteria.
3. Qualora il tempo di utilizzo si riduca eccessivamente, interrompere immediatamente l'utilizzo dell'utensile. In caso contrario, si può incorrere nel rischio di surriscaldamento, possibili ustioni e persino un'esplosione.
4. Qualora l'elettrolita entri in contatto con gli occhi, sciacquarli con acqua pulita e richiedere immediatamente assistenza medica. Questa eventualità può risultare nella perdita della vista.
5. Non cortocircuitare la cartuccia della batteria:
 - (1) Non toccare i terminali con alcun materiale conduttivo.
 - (2) Evitare di conservare la cartuccia della batteria in un contenitore insieme ad altri oggetti metallici quali chiodi, monete, e così via.
 - (3) Non esporre la cartuccia della batteria all'acqua o alla pioggia.Un cortocircuito della batteria può causare un grande flusso di corrente, un surriscaldamento, possibili ustioni e persino un guasto.
6. Non conservare l'utensile e la cartuccia della batteria in ubicazioni in cui la temperatura possa raggiungere o superare i 50°C.
7. Non incenerire la cartuccia della batteria anche qualora sia gravemente danneggiata o completamente esaurita. La cartuccia della batteria può esplodere se a contatto con il fuoco.
8. Fare attenzione a non far cadere e a non colpire la batteria.
9. Non utilizzare una batteria danneggiata.
10. Le batterie a ioni di litio contenute sono soggette ai requisiti del regolamento sul trasporto di merci pericolose (Dangerous Goods Legislation).

Per trasporti commerciali, ad esempio da parte di terzi o spedizionieri, è necessario osservare dei requisiti speciali sull'imballaggio e sull'etichetta. Per la preparazione dell'articolo da spedire, è richiesta la consulenza di un esperto in materiali pericolosi. Attenersi anche alle normative nazionali, che potrebbero essere più dettagliate. Nasturare o coprire i contatti aperti e imballare la batteria in modo tale che non si possa muovere liberamente all'interno dell'imballaggio.
11. **Attenersi alle normative locali relative allo smaltimento della batteria.**
12. **Utilizzare le batterie esclusivamente con i prodotti specificati da Makita.** L'installazione delle batterie in prodotti non compatibili potrebbe risultare in incendi, calore eccessivo, esplosioni o perdite di liquido elettrolitico.

CONSERVARE LE PRESENTI ISTRUZIONI.

ATTENZIONE: Utilizzare solo batterie originali Makita. L'utilizzo di batterie Makita non originali, o di batterie che siano state alterate, potrebbe risultare nello scoppio della batteria, causando incendi, lesioni personali e danni. Inoltre, ciò potrebbe invalidare la garanzia Makita per l'utensile e il caricabatterie Makita.

Suggerimenti per preservare la durata massima della batteria

1. Caricare la cartuccia della batteria prima che si scarichi completamente. Smettere sempre di utilizzare l'utensile e caricare la cartuccia della batteria quando si nota che la potenza dell'utensile è diminuita.
2. Non ricaricare mai una cartuccia della batteria completamente carica. La sovraccarica riduce la vita utile della batteria.
3. Caricare la cartuccia della batteria a una temperatura ambiente compresa tra 10°C e 40°C. Lasciar raffreddare una cartuccia della batteria prima di caricarla.
4. Caricare la cartuccia della batteria se non la si è utilizzata per un periodo di tempo prolungato (più di sei mesi).

DESCRIZIONE DELLE FUNZIONI

ATTENZIONE: Accertarsi sempre che l'utensile sia spento e che la cartuccia della batteria sia stata rimossa prima di regolare o di controllare il funzionamento dell'utensile.

Installazione o rimozione della cartuccia della batteria

ATTENZIONE: Spegnerne sempre l'utensile prima di installare o rimuovere la cartuccia della batteria.

ATTENZIONE: Mantenere saldamente lo strumento e la batteria quando si intende installare o rimuovere la cartuccia della batteria. Qualora non si mantengano saldamente lo strumento e la cartuccia della batteria, questi ultimi potrebbero scivolare dalle mani, con la possibilità di causare un danneggiamento dello strumento e della cartuccia della batteria, nonché una lesione personale.

► Fig. 1: 1. Indicatore rosso 2. Pulsante 3. Cartuccia della batteria

Per rimuovere la cartuccia della batteria, farla scorrere via dall'utensile mentre si fa scorrere allo stesso tempo il pulsante sulla parte anteriore della cartuccia.

Per installare la cartuccia della batteria, allineare l'appendice della batteria con la scanalatura nell'alloggiamento e farla scivolare in sede. Inserirli completamente fino al suo blocco in sede con un leggero scatto. Se è possibile vedere l'indicatore rosso sul lato superiore del pulsante, la batteria non è bloccata completamente.

⚠ATTENZIONE: Installare sempre fino in fondo la cartuccia della batteria, fino a quando l'indicatore rosso non è più visibile. In caso contrario, la batteria potrebbe cadere accidentalmente dall'utensile, causando lesioni personali all'operatore o a chi gli è vicino.

⚠ATTENZIONE: Non installare forzatamente la cartuccia della batteria. Qualora la batteria non si inserisca scorrendo agevolmente, vuol dire che non viene inserita correttamente.

Indicazione della carica residua della batteria

Solo per cartucce delle batterie dotate di indicatore

► Fig.2: 1. Indicatori luminosi 2. Pulsante di controllo

Premere il pulsante di controllo sulla cartuccia della batteria per indicare la carica residua della batteria. Gli indicatori luminosi si illuminano per alcuni secondi.

Indicatori luminosi			Carica residua
■ Illuminato	□ Spento	▬ Lampeggiante	
■	■	■	Dal 75% al 100%
■	■	■	Dal 50% al 75%
■	■	□	Dal 25% al 50%
■	□	□	Dallo 0% al 25%
▬	□	□	Caricare la batteria.
■	■	□	La batteria potrebbe essersi guastata.
□	□	■	

NOTA: A seconda delle condizioni d'uso e della temperatura ambiente, l'indicazione potrebbe variare leggermente rispetto alla carica effettiva.

Sistema di protezione strumento/batteria

L'utensile è dotato di un sistema di protezione dell'utensile stesso e della batteria. Tale sistema interrompe automaticamente l'alimentazione al motore per prolungare la vita utile dell'utensile e della batteria. L'utensile si arresta automaticamente durante il funzionamento, qualora l'utensile o la batteria vengano a trovarsi in una delle condizioni seguenti:

Protezione dal sovraccarico

Quando la batteria viene utilizzata in un modo che causa un assorbimento di corrente elevato in modo anomalo, l'utensile si arresta automaticamente e il numero dell'errore corrispondente viene visualizzato sul pannello del display. In questa circostanza, spegnere l'utensile e interrompere l'applicazione che ha causato il sovraccarico dell'utensile. Quindi, accendere l'utensile per ricominciare.

Protezione dal surriscaldamento

Quando l'utensile o la batteria sono surriscaldati, l'utensile si arresta automaticamente, e il numero dell'errore corrispondente viene visualizzato sul pannello del display. In tal caso, lasciar raffreddare l'utensile e la batteria prima di riaccendere l'utensile.

Protezione dalla sovrascarica

Quando la carica della batteria non è sufficiente, l'utensile si arresta automaticamente, e il numero dell'errore corrispondente viene visualizzato sul pannello del display. In tal caso, rimuovere la batteria dall'utensile e caricarla.

Interruttore di accensione principale

⚠ATTENZIONE: Quando si accende l'utensile, non avvicinare mai gli arti o la faccia alle parti di legatura o rotanti della punta dell'utensile. In caso contrario, si potrebbero subire lesioni personali.

⚠ATTENZIONE: Quando si accende l'utensile, non toccare mai le parti di legatura o rotanti della punta dell'utensile. In caso contrario, si potrebbero subire lesioni personali.

⚠ATTENZIONE: Prima di installare la cartuccia della batteria, accertarsi di rilasciare le dita dall'interruttore a grilletto e di bloccare il grilletto. Qualora si inserisca la cartuccia della batteria mentre si tiene premuto l'interruttore a grilletto, si potrebbe causare un incidente, qualora l'operazione di legatura del filo venga eseguita accidentalmente.

► Fig.3

Quando si preme il pulsante di accensione, l'utensile si accende e l'indicatore luminoso della modalità di legatura si illumina. L'utensile entra in funzione temporaneamente, per regolare la propria posizione iniziale. Quando la regolazione è stata completata, l'utensile si arresta automaticamente. Quando si preme di nuovo il pulsante di accensione, l'utensile si spegne e l'indicatore luminoso della modalità di legatura si spegne.

► Fig.4: 1. Indicatore luminoso della modalità di legatura 2. Pulsante di accensione

NOTA: L'utensile dispone di una funzione di spegnimento automatico. Qualora l'interruttore a grilletto non venga premuto per 10 minuti, l'utensile si spegne automaticamente per ridurre il consumo di energia della batteria.

NOTA: Per riavviare l'utensile, riaccenderlo di nuovo.


Pulsante di commutazione della modalità

Quando l'utensile è acceso e l'indicatore luminoso della modalità di legatura è illuminato, è possibile selezionare la modalità di azionamento singolo o la modalità di azionamento continuo attraverso il pulsante di commutazione della modalità. Quando si riaccende l'utensile, quest'ultimo si avvia nella modalità che è stata selezionata più di recente.

► Fig.5: 1. Pulsante di commutazione della modalità 2. Modalità di azionamento singolo 3. Modalità di azionamento continuo

Funzionamento dell'interruttore

⚠AVVERTIMENTO: Prima di inserire la cartuccia della batteria nell'utensile, controllare sempre che l'interruttore a grilletto funzioni correttamente e torni sulla posizione "OFF" quando viene rilasciato.

⚠ATTENZIONE: Quando non si intende utilizzare l'utensile, far rientrare il pulsante di blocco del grilletto premendolo dal lato  per bloccare l'interruttore a grilletto sulla posizione di spegnimento.

► **Fig.6:** 1. Interruttore a grilletto 2. Pulsante di blocco del grilletto

Per evitare che l'interruttore a grilletto venga premuto accidentalmente, è fornito un pulsante di blocco del grilletto. Per avviare l'utensile, far rientrare il pulsante di blocco del grilletto premendolo dal lato A, quindi premere l'interruttore a grilletto. Per arrestarlo, rilasciare l'interruttore a grilletto. Dopo l'uso, far rientrare il pulsante di blocco del grilletto premendolo dal lato B.

Quando si preme l'interruttore a grilletto, l'utensile esegue le operazioni sequenziali successive nel modo seguente, quindi si arresta automaticamente.

1. Alimentare il filo.
2. Tagliare il filo.
3. Il gancio afferra e attorciglia il filo.
4. Il gancio ritorna alla posizione originale.

Impostazione della forza della legatura

⚠ATTENZIONE: Accertarsi di bloccare il grilletto prima di avviare la regolazione. Quando si accende l'utensile, non avvicinare mai gli arti o la faccia alle parti di legatura o rotanti della punta dell'utensile. In caso contrario, si potrebbero subire lesioni personali.

► **Fig.7**

È possibile impostare la forza della legatura regolando il pulsante di regolazione della forza della legatura. La forza della legatura viene indicata sul pannello del display.

► **Fig.8:** 1. Pulsante di regolazione della forza della legatura 2. Pannello del display

Qualora il filo si rompa, la forza della legatura viene persa. Dopo la legatura, controllare la parte attorcigliata alla ricerca di eventuali rotture.

Qualora il filo sia rotto, regolare la forza della legatura utilizzando il pulsante di regolazione della forza della legatura, quindi legare nuovamente i ferri d'armatura.

Notifica della carica residua della batteria

Quando la tensione della batteria scende al di sotto del livello richiesto, l'utensile smette di funzionare, si sente un suono di errore, e il numero "4" viene visualizzato sul pannello del display. L'emissione del suono di errore prosegue fino a quando l'utensile viene spento.

NOTA: Qualora la temperatura ambiente sia estremamente bassa, il suono di errore potrebbe venire emesso anche quando la batteria contiene una carica sufficiente.

MONTAGGIO

⚠ATTENZIONE: Accertarsi sempre che l'utensile sia spento e che la cartuccia della batteria sia stata rimossa, prima di effettuare qualsiasi intervento sull'utensile.

Caricamento del filo di legatura (bobina di filo)

⚠ATTENZIONE: Prima di montare o smontare i fili di legatura e gli accessori, accertarsi di spegnere l'utensile, bloccare il grilletto e rimuovere la cartuccia della batteria. La mancata osservanza di questa indicazione potrebbe causare un incidente.

AVVISO: L'utilizzo di fili diversi dai fili di legatura originali Makita (fili ricotti) potrebbe causare il malfunzionamento dell'utensile.

1. Premere la leva di rilascio e bloccarla con la leva di blocco.

► **Fig.9:** 1. Leva di rilascio 2. Leva di blocco

Quando si preme la leva di rilascio, si crea uno spazio tra gli ingranaggi di alimentazione di sinistra e di destra.

► **Fig.10:** 1. Leva di rilascio 2. Leva di blocco 3. Ingranaggi di alimentazione

2. Staccare l'estremità del nastro adesivo che tiene fermo il filo, quindi estrarre la punta del filo.

► **Fig.11:** 1. Nastro adesivo 2. Punta del filo

3. Aprire la copertura della bobina.

► **Fig.12:** 1. Copertura della bobina

4. Montare la bobina del filo sull'utensile con l'orientamento indicato nella figura.

► **Fig.13:** 1. Bobina di filo

AVVISO: Accertarsi di montare la bobina di filo con l'orientamento indicato nella figura. Qualora venga montata al contrario, il filo viene rilasciato e potrebbe attorcigliarsi.

5. Raddrizzare la punta del filo, quindi far passare il filo attraverso la guida.

► **Fig.14:** 1. Guida

NOTA: Qualora la punta del filo venga piegata quando viene fatta passare attraverso la guida, il filo potrebbe incepparsi nell'utensile.

NOTA: Qualora si forzi il filo quando si prova a farlo passare attraverso la guida, il filo potrebbe incepparsi.

6. Tirare il filo per una lunghezza pari a circa 10 mm dalla punta del braccio.

► **Fig.15:** 1. Braccio 2. Circa 10 mm

AVVISO: Qualora la lunghezza del filo estratto sia insufficiente, il filo potrebbe rompersi quando viene legato, oppure la forza della legatura potrebbe venire compromessa a causa di avvolgimenti insufficienti.

7. Rimuovere tutto il nastro adesivo che tiene fermo il filo.

► Fig.16

8. Riavvolgere il filo per eliminarne l'allentamento.

► Fig.17

9. Rilasciare la leva di blocco. La leva di rilascio torna in posizione, e il filo viene tenuto fermo dagli ingranaggi di sinistra e di destra.

► Fig.18: 1. Leva di rilascio 2. Leva di blocco

► Fig.19: 1. Ingranaggio 2. Percorso del filo 3. Filo

AVVISO: Quando la leva di blocco viene rilasciata e quando gli ingranaggi di sinistra e di destra si ingranano l'uno con l'altro, le scanalature negli ingranaggi formano uno spazio. Tale spazio diventa il percorso per il filo. Accertarsi che il filo venga fatto passare attraverso questo percorso.

10. Chiudere la copertura della bobina.

► Fig.20: 1. Copertura della bobina

FUNZIONAMENTO

Controlli prima del lavoro

ATTENZIONE: Qualora l'utensile presenti un problema relativo al meccanismo di sicurezza, non utilizzarlo. Qualora si continui a utilizzarlo, potrebbe verificarsi un incidente.

Prima di utilizzare l'utensile, accertarsi che il meccanismo di sicurezza funzioni normalmente. Qualora l'utensile entri in funzione in assenza di operatività del meccanismo di sicurezza, interrompere immediatamente l'utilizzo dell'utensile. Richiedere la riparazione a un centro di assistenza Makita locale.

Controllo del blocco del grilletto

L'utensile dispone di un blocco del grilletto, per evitare che l'utensile entri in funzione quando non si intende utilizzarlo. Bloccare il grilletto e verificare che non sia possibile premere l'interruttore a grilletto.

Controllo della guida di arriciamento

Per evitare che l'operatore tocchi per errore le parti di legatura o rotanti della punta dell'utensile, l'utensile non entra in funzione anche se si preme l'interruttore a grilletto, mentre la guida di arriciamento è aperta. Quando l'operatore rilascia il dito dall'interruttore a grilletto e chiude la guida di arriciamento, l'utensile può funzionare.

► Fig.21: 1. Guida di arriciamento

Controllo del rilevamento di apertura/chiusura della guida di arriciamento

Rimuovere il filo di legatura, controllare il funzionamento dell'utensile in base alla procedura seguente, quindi accertarsi che l'utensile non si avvii se la guida di arriciamento è aperta.

1. Spegnerne l'utensile, quindi lasciare la guida di arriciamento aperta.

2. Accendere l'utensile.

Se l'utensile non entra in funzione e il valore "2" viene indicato sul pannello del display, lo stato dell'utensile è normale. Spegnerne l'utensile, quindi chiudere la guida di arriciamento.

Qualora l'utensile entri in funzione e non venga indicato alcun errore sul pannello del display, lo stato dell'utensile è anomalo. Interrompere immediatamente l'utilizzo dell'utensile e rivolgersi al proprio centro di assistenza Makita locale per le riparazioni.

ATTENZIONE: Se si apre la guida di arriciamento e si accende l'utensile per controllare il funzionamento asservito, tenere ferma la guida di arriciamento come indicato nella figura. Non avvicinare mai gli arti o la faccia alle parti di legatura o rotanti della punta dell'utensile. In caso contrario, si potrebbero subire lesioni personali.

► Fig.22

Lavoro di legatura

ATTENZIONE: Prima di installare la cartuccia della batteria, accertarsi di rilasciare le dita dall'interruttore a grilletto e di bloccare il grilletto. Qualora si inserisca la cartuccia della batteria mentre si tiene premuto l'interruttore a grilletto, si potrebbe causare un incidente, qualora l'operazione di legatura del filo venga eseguita accidentalmente.

ATTENZIONE: Quando si accende l'utensile, non avvicinare mai gli arti o la faccia alle parti di legatura o rotanti della punta dell'utensile. In caso contrario, si potrebbero subire lesioni personali.

ATTENZIONE: Quando si accende l'utensile, non toccare mai le parti di legatura o rotanti della punta dell'utensile. In caso contrario, si potrebbero subire lesioni personali.

► Fig.23

Preparazione prima del lavoro

1. Accertarsi che la cartuccia della batteria sia stata rimossa e che il grilletto sia bloccato.

2. Inserire la cartuccia della batteria nell'utensile, quindi accendere quest'ultimo. Quando si accende l'utensile, il filo viene tagliato automaticamente.

AVVISO: Accertarsi che l'indicatore luminoso della modalità di legatura si illumini, quando l'utensile viene acceso. Qualora non si illumini, ricaricare la batteria.

3. Rilasciare il blocco del grilletto.

► Fig.24: 1. Pulsante di blocco del grilletto

2. Interruttore a grilletto 3. Pulsante di accensione 4. Indicatore luminoso della modalità di legatura

Modalità di azionamento singolo

1. Spingere saldamente il braccio contro il punto di legatura. Spingere l'utensile verticalmente contro i ferri d'armatura, quindi premere il braccio contro il punto in cui i ferri d'armatura si incrociano, tenendolo a un'angolazione di 45 gradi.

► Fig.25

2. Premere una volta l'interruttore a grilletto.

3. Il filo viene alimentato e tagliato automaticamente.

4. Il gancio afferra e attorciglia il filo, quindi torna alla posizione originale dopo che i fili sono stati legati.

► Fig.26

5. Dopo la legatura, fare attenzione a non agganciare il braccio sui ferri d'armatura, quindi tirare l'utensile verso l'alto.

⚠ATTENZIONE: Qualora il filo sia rimasto attaccato alla parte di legatura della punta dell'utensile, spegnere l'utensile. Bloccare il grilletto, rimuovere la cartuccia della batteria, quindi rimuovere il filo utilizzando degli utensili quali pinzette o pinze.

► Fig.27

Modalità di azionamento continuo

1. Commutare la modalità dell'utensile dalla modalità di azionamento singolo alla modalità di azionamento continuo utilizzando il pulsante di commutazione della modalità.

► Fig.28: 1. Pulsante di commutazione della modalità

2. Rilasciare il blocco del grilletto.

3. Mentre si tiene premuto l'interruttore a grilletto, spingere l'utensile verticalmente contro i ferri d'armatura, quindi premere il braccio contro il punto in cui i ferri d'armatura si incrociano, tenendolo a un'angolazione di 45 gradi. Premere saldamente la piastra di contatto contro il punto di legatura. Il filo viene legato.

► Fig.29: 1. Piastra di contatto

4. Dopo la legatura, fare attenzione a non agganciare il braccio sui ferri d'armatura, quindi tirare l'utensile verso l'alto.

► Fig.30

Precauzioni relative al lavoro

- Se si sposta il braccio dalla posizione di legatura durante l'operazione di legatura del filo, quest'ultimo resta impigliato sul gancio, il che potrebbe portare a una legatura errata.
- Continuare a premere l'utensile contro i ferri d'armatura fino al completamento dell'operazione di legatura del filo.
- Non spostarsi al punto di legatura successivo fino al completamento dell'operazione di legatura del filo corrente.
- La parte rotante della punta dell'utensile (gancio) attorciglia il filo durante l'operazione di legatura del filo. Mantenere l'impugnatura saldamente, in modo che il proprio corpo non venga tirato dall'utensile.
- Non toccare i fili durante l'operazione di legatura del filo.

- Se si intende ripetere le operazioni di legatura del filo nella modalità di azionamento singolo, rilasciare completamente il dito dall'interruttore a grilletto. Quindi, continuare ad azionare l'interruttore a grilletto.
- Se si preme l'interruttore a grilletto quando il filo di legatura è esaurito, viene visualizzato un errore. Sostituirlo con un nuovo filo di legatura e riavviare l'utensile.

Suggerimenti per la legatura

- Inclinare l'utensile a un angolo di 45° rispetto ai ferri d'armatura incrociati, quindi effettuare le legature alterando l'orientamento, come indicato nella figura.

► Fig.31

- Evitare sezioni dei ferri d'armatura che presentino rigonfiamenti.

► Fig.32

- Qualora la forza della legatura non sia sufficiente, cambiare l'orientamento della legatura ed effettuare la legatura due volte, in modo da incrementare la forza della legatura.

► Fig.33

AVVISO: Quando si effettua la seconda legatura, piegare la coda della prima legatura, prima di effettuare la seconda legatura. In caso contrario, il filo potrebbe venire respinto, la seconda volta. Il filo potrebbe restare attaccato alla punta dell'utensile, e il gancio potrebbe venire danneggiato.

Sostituzione dei fili di legatura

⚠ATTENZIONE: Quando si sostituisce il filo, accertarsi di spegnere l'utensile, bloccare il grilletto e rimuovere la cartuccia della batteria. La mancata osservanza di questa indicazione potrebbe causare un incidente.

1. Quando il filo è esaurito, si sente un suono di errore e viene visualizzato l'errore "1".
2. Bloccare il grilletto, spegnere l'utensile e rimuovere la cartuccia della batteria.
3. Premere la leva di rilascio e bloccarla con la leva di blocco.
4. Rimuovere la bobina di filo dall'utensile.

NOTA: Quando il filo si è esaurito normalmente, restano circa 20 cm di filo avvolti sulla bobina. In questa condizione, sostituire la bobina di filo con una nuova.

Qualora risulti difficile rimuovere la bobina di filo dall'utensile, attenersi alla procedura seguente.

1. Inserire la cartuccia della batteria nell'utensile, quindi accendere quest'ultimo. L'utensile alimenta il filo e lo taglia automaticamente.
2. Bloccare il grilletto, spegnere l'utensile e rimuovere la cartuccia della batteria.
3. Rimuovere i fili spezzati utilizzando utensili quali pinzette o pinze.

MANUTENZIONE

⚠ATTENZIONE: Accertarsi sempre che l'utensile sia spento e che la cartuccia della batteria sia stata rimossa prima di tentare di eseguire interventi di ispezione o manutenzione.

AVVISO: Non utilizzare mai benzina, benzene, solventi, alcol o altre sostanze simili. In caso contrario, si potrebbero causare scolorimenti, deformazioni o crepe.

Per preservare la SICUREZZA e l'AFFIDABILITÀ del prodotto, le riparazioni e qualsiasi altro intervento di manutenzione e di regolazione devono essere eseguiti da un centro di assistenza autorizzato Makita, utilizzando sempre ricambi Makita.

Conservazione della chiave esagonale

Riporre la chiave esagonale nella posizione indicata nella figura.

► **Fig.35:** 1. Chiave esagonale

Pulizia del taglierino

Quando l'utensile viene utilizzato per un periodo di tempo prolungato, polvere e particelle di filo potrebbero restare attaccate alla sezione del taglierino. In tal caso, smontare e pulire il taglierino attenendosi alla procedura seguente.

Qualora un filo resti impigliato nella sezione del taglierino, è possibile rimuovere il filo attenendosi alla stessa procedura.

Smontaggio e pulizia

1. Allentare i bulloni A e B utilizzando la chiave esagonale in dotazione nella confezione dell'utensile.

► **Fig.36:** 1. Bullone A 2. Bullone B 3. Copertura della piastra di contatto 4. Guida filo B

AVVISO: Non rimuovere forzatamente eventuali bulloni che non possano venire rimossi utilizzando la chiave esagonale.

2. Tirare la copertura della piastra di contatto verso l'alto nella direzione della freccia e rimuoverla. Il bullone B viene rimosso contemporaneamente.

► **Fig.37:** 1. Copertura della piastra di contatto
2. Bullone B

3. Rimuovere il bullone A, quindi rimuovere la guida filo B.

► **Fig.38:** 1. Bullone A 2. Guida filo B

4. Capovolgere la guida filo B e pulirne la superficie interna.

► **Fig.39**

5. Rimuovere il taglierino A, il taglierino B, la piastra superiore e il braccio di collegamento A dalla piastra del braccio A. Quindi, pulirli.

► **Fig.40:** 1. Taglierino B 2. Braccio di collegamento A 3. Taglierino A 4. Piastra del braccio A
5. Piastra superiore

Assemblaggio

Al termine della pulizia, assemblare le parti attenendosi alla procedura seguente.

1. Installare il taglierino A e il braccio di collegamento A in modo da farli combaciare con la forma della piastra del braccio A.

► **Fig.41:** 1. Taglierino A 2. Braccio di collegamento A
3. Piastra del braccio A

2. Installare il taglierino B e la piastra superiore sulla piastra del braccio A.

(Installare il taglierino B sul taglierino A e sul braccio di collegamento A).

► **Fig.42:** 1. Taglierino B 2. Piastra superiore
3. Piastra del braccio A 4. Taglierino A
5. Braccio di collegamento A

AVVISO: Rivolgere la sporgenza del taglierino B verso il basso, quindi installare il taglierino come indicato nella figura.

3. Allineare il tubicino dell'utensile con la scanalatura all'interno della guida filo B, quindi assemblarli.

► **Fig.43:** 1. Tubicino 2. Scanalatura 3. Guida filo B

4. Fissare la guida filo B serrando temporaneamente il bullone A.

► **Fig.44:** 1. Bullone A 2. Guida filo B

5. Installare la copertura della piastra di contatto nella direzione della freccia.

► **Fig.45:** 1. Copertura della piastra di contatto

6. Fissare saldamente la guida filo B e la copertura della piastra di contatto serrando il bullone A e il bullone B.

► **Fig.46:** 1. Guida filo B 2. Copertura della piastra di contatto 3. Bullone A 4. Bullone B

7. Dopo l'assemblaggio, verificare che la piastra di contatto possa muoversi come indicato nella figura.

► **Fig.47:** 1. Piastra di contatto

NOTA: Qualora la piastra di contatto sia inceppata, premerla come indicato nella figura.

► **Fig.48**

Visualizzazione di errore e suono di errore

⚠ATTENZIONE: Durante l'ispezione, accertarsi di bloccare il grilletto, spegnere l'utensile e rimuovere la cartuccia della batteria. La mancata osservanza di questa indicazione potrebbe causare un incidente.

⚠ATTENZIONE: Quando si accende l'utensile, non avvicinare mai gli arti o la faccia alle parti di legatura o rotanti della punta dell'utensile. In caso contrario, si potrebbero subire lesioni personali.

⚠ATTENZIONE: Quando si accende l'utensile, non toccare mai le parti di legatura o rotanti della punta dell'utensile. In caso contrario, si potrebbero subire lesioni personali.

⚠ATTENZIONE: Qualora si senta un suono di errore, o qualora l'utensile presenti un malfunzionamento, interrompere immediatamente l'utilizzo dell'utensile.

Suono e visualizzazione di errore

Qualora si verifichi un errore, si sente un suono di errore, e un numero di errore viene visualizzato sul pannello del display. Fare riferimento alla tabella seguente e adottare le misure correttive appropriate. Qualora l'errore persista, rivolgersi ai centri di assistenza autorizzati Makita per le riparazioni.

Visualizzazione	Sintomo	Causa possibile	Soluzione
1	L'utensile smette di funzionare.	Il filo è esaurito.	Caricare un nuovo filo di legatura.
		Il filo di legatura non è caricato.	Caricare il filo di legatura.
		L'alimentazione del filo non è riuscita.	Controllare l'orientamento del filo di legatura. Scaricare il filo di legatura, quindi ricaricarlo di nuovo. Pulire il percorso del filo.
2	L'utensile smette di funzionare.	La guida di arricciamiento è aperta.	Chiudere la guida di arricciamiento.
3	L'utensile non effettua l'operazione di legatura in modalità di azionamento continuo.	La piastra di contatto è inceppata.	Liberare la piastra di contatto dall'inceppamento.
4	L'utensile non si avvia. L'utensile smette di funzionare.	La batteria si è scaricata. La temperatura della cartuccia della batteria è elevata in modo anomalo.	Ricaricare la batteria. Far raffreddare la cartuccia della batteria. Sostituire la cartuccia della batteria con una ricaricata.
5	L'utensile smette di funzionare.	Il motore è sovraccarico.	Stabilire la causa dell'ostruzione della rotazione del motore e risolvere il problema.
		Guasto del motore	
6	L'utensile smette di funzionare.	La temperatura dell'utensile è elevata in modo anomalo.	Far raffreddare l'utensile.
7	L'utensile non si avvia. L'utensile smette di funzionare.	Guasto dell'utensile	Rivolgersi ai centri di assistenza autorizzati Makita per le riparazioni.

ACCESSORI OPZIONALI

⚠ATTENZIONE: Questi accessori o componenti aggiuntivi sono consigliati per l'uso con l'utensile Makita specificato nel presente manuale. L'impiego di altri accessori o componenti aggiuntivi può costituire un rischio di lesioni alle persone. Utilizzare gli accessori o i componenti aggiuntivi solo per il loro scopo prefissato.

Per ottenere ulteriori dettagli relativamente a questi accessori, rivolgersi a un centro di assistenza Makita.

- Filo di legatura
- Batteria e caricabatterie originali Makita

NOTA: Alcuni articoli nell'elenco potrebbero essere inclusi nell'imballaggio dell'utensile come accessori standard. Tali articoli potrebbero variare da nazione a nazione.

TECHNISCHE GEGEVENS

Model:	DTR180
Vlecht draad (optioneel accessoire)	ø0,8 mm
Diameter van betonijzers die kunnen worden gevlochten	Van #3 x #3 t/m (#4 x 2) x (#4 x 2) Van 10 mm x 10 mm t/m (13 mm x 2) x (13 mm x 2)
Aantal vlechtingen per haspel (ongeveer)	Ongeveer 120 vlechtingen
Totale lengte	304 mm
Nominale spanning	14,4/18 V gelijkstroom
Nettogewicht	2,3 - 2,6 kg

- In verband met ononderbroken research en ontwikkeling, behouden wij ons het recht voor de bovenstaande technische gegevens zonder voorafgaande kennisgeving te wijzigen.
- De technische gegevens van de accu kunnen van land tot land verschillen.
- Het gewicht kan verschillen afhankelijk van de hulpstukken, waaronder de accu. De lichtste en zwaarste combinatie, overeenkomstig de EPTA-procedure 01/2014, worden getoond in de tabel.

Toepasselijke accu's en laders

Accu	Model 14,4 V gelijkstroom	BL1415N / BL1430 / BL1430B / BL1440 / BL1450 / BL1460B
	Model 18 V gelijkstroom	BL1815N / BL1820 / BL1820B / BL1830 / BL1830B / BL1840 / BL1840B / BL1850 / BL1850B / BL1860B
Lader		DC18RC / DC18RD / DC18RE / DC18SD / DC18SE / DC18SF

- Sommige van de hierboven vermelde accu's en laders zijn mogelijk niet leverbaar afhankelijk van waar u woont.

⚠ WAARSCHUWING: Gebruik uitsluitend de accu's en laders die hierboven worden genoemd. Gebruik van enige andere accu of lader kan leiden tot letsel en/of brand.

Combinatie van betonijzers die kunnen worden gevlochten

Combinatie van 2 betonijzers

	#3 (10 mm)	#4 (13 mm)	#5 (16 mm)
#3 (10 mm)	✓	✓	✓
#4 (13 mm)	✓	✓	✓
#5 (16 mm)	✓	✓	✓

Combinatie van 3 betonijzers

	#3 x #3 (10 mm x 10 mm)	#4 x #4 (13 mm x 13 mm)
#3 (10 mm)	✓	✓
#4 (13 mm)	✓	✓
#5 (16 mm)	✓	-

Combinatie van 4 betonijzers

	#3 x #3 (10 mm x 10 mm)	#4 x #4 (13 mm x 13 mm)
#3 x #3 (10 mm x 10 mm)	✓	✓
#4 x #4 (13 mm x 13 mm)	✓	✓

KENNISGEVING: Als er ruimte tussen de betonijzers zit of als het gereedschap in de verkeerde richting wordt gebruikt, kunnen de betonijzers mogelijk niet worden gevlochten.

Symbolen

Hieronder staan de symbolen die voor het gereedschap worden gebruikt. Zorg ervoor dat u weet wat ze betekenen alvorens het gereedschap te gebruiken.



Lees de gebruiksaanwijzing.



Draag een veiligheidsbrii.



Stel niet bloot aan regen.



Houd tijdens bediening van het gereedschap uw handen uit de buurt van de draadhaspel en draad.



Houd uw handen uit de buurt van de gereedschapskop.



Alleen voor EU-landen
Geef elektrisch gereedschap en accu's niet met het huisvuil mee!

Volgens de Europese richtlijn inzake oude elektrische en elektronische apparaten, en inzake batterijen en accu's en oude batterijen en accu's, en de toepassing daarvan binnen de nationale wetgeving, dienen elektrisch gereedschap, accu's en batterijen die het einde van hun levensduur hebben bereikt, gescheiden te worden ingezameld en te worden afgevoerd naar een recyclebedrijf dat voldoet aan de geldende milieueisen.

Bedoeld gebruik

Het gereedschap is bedoeld voor het vlechten van betonijzers.

Geluidsniveau

De typische, A-gewogen geluidsniveaus zijn gemeten volgens EN60745-2-18 (EN12549):
Geluidsdrukkniveau (L_{pA}): 78 dB (A)
Onzekerheid (K): 3 dB (A)

Het geluidsniveau kan tijdens gebruik hoger worden dan 80 dB (A).

WAARSCHUWING: Draag gehoorbescherming.

Trilling

De totale trillingswaarde (triaxiale vectorsom) zoals vastgesteld volgens EN60745-2-18 (ISO8662-11):
Gebruikstoepassing: Vlechten van metalen staven
Trillingsemmissie (a_h): $2,5 \text{ m/s}^2$ of lager
Onzekerheid (K): $1,5 \text{ m/s}^2$

OPMERKING: De opgegeven trillingsemmissiewaarde is gemeten volgens de standaardtestmethode en kan worden gebruikt om dit gereedschap te vergelijken met andere gereedschappen.

OPMERKING: De opgegeven trillingsemmissiewaarde kan ook worden gebruikt voor een beoordeling vooraf van de blootstelling.

WAARSCHUWING: De trillingsemmissie tijdens het gebruik van het elektrisch gereedschap in de praktijk kan verschillen van de opgegeven trillingsemmissiewaarde afhankelijk van de manier waarop het gereedschap wordt gebruikt.

WAARSCHUWING: Zorg ervoor dat veiligheidsmaatregelen worden getroffen ter bescherming van de operator die zijn gebaseerd op een schatting van de blootstelling onder praktijkomstandigheden (rekening houdend met alle fasen van de bedrijfscyclus, zoals de tijdsduur gedurende welke het gereedschap is uitgeschakeld en stationair draait, naast de ingeschakelde tijdsduur).

EG-verklaring van conformiteit

Alleen voor Europese landen

De EG-verklaring van conformiteit is bijgevoegd als Bijlage A bij deze gebruiksaanwijzing.

VEILIGHEIDSWAARSCHUWINGEN

Algemene veiligheidswaarschuwingen voor elektrisch gereedschap

WAARSCHUWING: Lees alle veiligheidswaarschuwingen, aanwijzingen, afbeeldingen en technische gegevens behorend bij dit elektrische gereedschap aandachtig door. Als u niet alle onderstaande aanwijzingen naleeft, kan dat resulteren in brand, elektrische schokken en/of ernstig letsel.

Bewaar alle waarschuwingen en instructies om in de toekomst te kunnen raadplegen.

De term "elektrisch gereedschap" in de veiligheidsvoorschriften duidt op gereedschappen die op stroom van het lichtnet werken (met snoer) of gereedschappen met een accu (snoerloos).

Veiligheidswaarschuwingen voor een accuvlechtmachine voor betonijzer

1. **Richt het gereedschap nooit op een persoon. Plaats uw handen of voeten nooit vlakbij de gereedschapskop.** Als u het gereedschap per ongeluk bedient terwijl iemand raakt, zal dat onverwacht leiden tot een ongeval.
2. **Laad geen draad terwijl het gereedschap is ingeschakeld.** Anders kunt u verstrikt raken in de draad en letsel oplopen.

3. **Gebruik het gereedschap niet voordat de haspelafdekking is gesloten.** Anders kan de draadhaspel eruit komen en een ongeval veroorzaken.
4. **Verzeker u ervan te controleren of de diameters van de betonijzers die moeten worden gevlochten binnen de capaciteit van het gereedschap liggen voordat u aan de werkzaamheden begint.**
5. **Draag kleding met nauwsluitende zoomranden en mouwen. Werk niet met een handdoek of ander voorwerp om uw nek geslagen.** Anders kan deze verstrikt raken in het roterende deel en een ongeval veroorzaken.
6. **Verzeker u ervan de volgende punten te inspecteren voordat u het gereedschap gebruikt.**
 - **Verzeker u ervan dat geen onderdelen beschadigd zijn**
 - **Verzeker u ervan dat geen bouten los zitten**
 - **Verzeker u ervan dat de veiligheidsvoorzieningen normaal werken**
7. **Als enige abnormaliteit wordt geconstateerd, stopt u onmiddellijk met het gebruik van het gereedschap. Repareer het gereedschap niet zelf. Vraag uw plaatselijk Makita-servicecentrum het gereedschap te repareren.** Als het gereedschap in onvolledige staat wordt gebruikt, kan een ongeval zich voordoen.
8. **Verzeker u er bij het aanbrengen van de accu van dat de trekker vergrendeld is en leg uw vinger niet om de trekker.** Een verkeerde bediening kan een ongeval veroorzaken.
9. **Let er bij het vlechten van betonijzers op dat u deze niet beweegt.** Als betonijzers bewegen door het vlechten, kunt u letsel oplopen.
10. **Raak tijdens het draadvlechten de draden niet aan.** Anders kunt u verstrikt raken in de draad en letsel oplopen.
11. **Plaats tijdens het draadvlechten uw handen niet dicht bij het vlechtpunt.** Anders kunt u verstrikt raken in de draad en letsel oplopen.
12. **Houd de handgreep van het gereedschap stevig vast tijdens het draadvlechten.** Anders kan uw pols worden verdraaid of aan uw lichaam worden getrokken, waardoor letsel kan ontstaan.
13. **Ga niet naar het volgende vlechtpunt voordat het huidige draadvlechten is voltooid.** Anders kan letsel ontstaan.
14. **Let tijdens het draadvlechten goed op het uiteinde van de draad.** Anders kan uw hand gepakt worden door het uiteinde van de draad en kunt u letsel oplopen.
15. **Raak tijdens het draadvlechten de contactplaat niet aan. Als u de contactplaat moet aanraken, moet u eerst de trekker vergrendelen of de aan-uitschakelaar uitschakelen en de accu verwijderen.** Anders kan letsel ontstaan.
16. **Nadat het draadvlechten is voltooid, trekt u het gereedschap verticaal omhoog.** Anders kan de arm blijven haken achter een betonijzer, waardoor letsel kan ontstaan.
17. **Wees voorzichtig dat u het gereedschap niet laat vallen, ergens tegenaan stoot of met iets anders raakt. Als een sterke botsing optreedt voordat het gereedschap wordt gebruikt, controleert u of het gereedschap niet beschadigd of gebast is, en of de veiligheidsvoorzieningen normaal werken.** Anders kan zich een ongeval voordoen.
18. **Als één van de volgende situaties zich voordoet, vergrendelt u de trekker, schakelt u de aan-uitschakelaar uit en verwijdert u de accu vanaf het gereedschap.** Als het gereedschap niet naar behoren werkt, kan een ongeval zich voordoen.
 - **Als een bedieningsgeluid hoorbaar is zodra de accu wordt aangebracht.**
 - **Als oververhitting of abnormale geuren of geluiden worden gedetecteerd.**
 - **Wanneer u handelingen gaat uitvoeren als reactie op een foutmelding. (Vraag uw plaatselijk Makita-servicecentrum het gereedschap te repareren.)**
 - **Tijdens het plaatsen of verwijderen van een draadhaspel.**
 - **Wanneer u zich tijdens het werken verplaatst terwijl u het gereedschap vasthoudt.**
 - **Wanneer u het gereedschap niet gebruikt.**
 - **Wanneer u het gereedschap inspecteert of instelt.**
 - **Wanneer u een vastgelopen draad verwijdert.**
19. **Wanneer u op een steiger werkt, moet u deze altijd stabiliseren en een houding aannemen waarin u verzekerd bent van een goede balans.** Als de steiger instabiel is, kan een ongeval zich voordoen.
20. **Als u op een dak of soortgelijke plaats werkt, verplaatst u zich tijdens het werken in voorwaartse richting zodat u kunt zien waar u heen gaat.** Als u tijdens het werken achteruit beweegt, kunt u struikelen en een ongeval veroorzaken.
21. **Als u op een zeer hoge plaats werkt, verzekert u zich ervan dat niemand zich onder u bevindt en bent u voorzichtig zodat tijdens het werken geen gereedschappen omlaag vallen.** Als een gereedschap valt, kan een ongeval worden veroorzaakt.
22. **Gebruik het gereedschap niet voor enige andere werkzaamheden dan draadvlechten.** Anders kan zich een ongeval voordoen.
23. **Gebruik altijd originele draad van Makita. Als een draad gedurende een lange tijd niet wordt gebruikt, kan deze gaan roesten. Gebruik geen geroeste draad.** Anders kan deze een ongeval veroorzaken.
24. **Controleer na het vlechten de draad op een breuk als gevolg van overmatig ineendraaien. Als één of meer draden zijn gebroken, gaat de vlechtsterkte verloren. Stel de vlechtsterkte af en vlecht de betonijzers opnieuw.**
25. **Plaats de arm stevig tegen de betonijzers.** Als deze niet stevig geplaatst is, ontstaat een ruimte tussen de betonijzers en zal de vlechtsterkte onvoldoende zijn.

Belangrijke veiligheidsinstructies voor een accu

1. Lees alle voorschriften en waarschuwingen op (1) de acculader, (2) de accu, en (3) het product waarvoor de accu wordt gebruikt, alvorens de accu in gebruik te nemen.
2. Neem de accu niet uit elkaar.
3. Als de gebruikstijd van een opgeladen accu aanzienlijk korter is geworden, moet u het gebruik ervan onmiddellijk stopzetten. Voortgezet gebruik kan oververhitting, brandwonden en zelfs een ontploffing veroorzaken.
4. Als elektrolyt in uw ogen is terechtgekomen, spoelt u uw ogen met schoon water en roept u onmiddellijk de hulp van een dokter in. Elektrolyt in de ogen kan blindheid veroorzaken.
5. Voorkom kortsluiting van de accu:
 - (1) Raak de acculemmen nooit aan met een geleidend materiaal.
 - (2) Bewaar de accu niet in een bak waarin andere metalen voorwerpen zoals spijkers, munten e.d. worden bewaard.
 - (3) Stel de accu niet bloot aan water of regen. Kortsluiting van de accu kan oorzaak zijn van een grote stroomafgifte, oververhitting, brandwonden, en zelfs defecten.
6. Bewaar het gereedschap en de accu niet op plaatsen waar de temperatuur kan oplopen tot 50°C of hoger.
7. Werp de accu nooit in het vuur, ook niet wanneer hij zwaar beschadigd of volledig versleten is. De accu kan ontploffen in het vuur.
8. Wees voorzichtig dat u de accu niet laat vallen en hem niet blootstelt aan schokken of stoten.
9. Gebruik nooit een beschadigde accu.
10. De bijgeleverde lithium-ionbatterijen zijn onderhevig aan de vereisten in de wetgeving omtrent gevaarlijke stoffen.

Voor commercieel transport en dergelijke doorden en transporteurs moeten speciale vereisten ten aanzien van verpakking en etikettering worden nageleefd.

Als voorbereiding van het artikel dat wordt getransporteerd is het noodzakelijk een expert op het gebied van gevaarlijke stoffen te raadplegen. Houd u tevens aan mogelijk strengere nationale regelgeving.

Blootliggende contactpunten moeten worden afgedekt met tape en de accu moet zodanig worden verpakt dat deze niet kan bewegen in de verpakking.
11. **Volg bij het weggooien van de accu de plaatselijke voorschriften.**
12. **Gebruik de accu's uitsluitend met de gereedschappen die door Makita zijn aanbevolen.** Als de accu's worden aangebracht in niet-compatibele gereedschappen, kan dat leiden tot brand, buitensporige warmteontwikkeling, een explosie of lekkage van elektrolyt.

BEWAAR DEZE INSTRUCTIES.

⚠ LET OP: Gebruik uitsluitend originele Makita accu's. Het gebruik van niet-originele accu's, of accu's die zijn gewijzigd, kan ertoe leiden dat de accu ontploft en brand, persoonlijk letsel en schade veroorzaakt. Ook vervalt daarmee de garantie van Makita op het gereedschap en de lader van Makita.

Tips voor een maximale levensduur van de accu

1. Laad de accu op voordat hij volledig ontladen is. Stop het gebruik van het gereedschap en laad de accu op telkens wanneer u vaststelt dat het vermogen van het gereedschap is afgenomen.
2. Laad een volledig opgeladen accu nooit opnieuw op. Te lang opladen verkort de levensduur van de accu.
3. Laad de accu op bij een omgevingstemperatuur tussen 10°C en 40°C. Laat een warme accu afkoelen alvorens hem op te laden.
4. Laad de accu op als u deze gedurende een lange tijd (meer dan zes maanden) niet gaat gebruiken.

BESCHRIJVING VAN DE FUNCTIES

⚠ LET OP: Zorg altijd dat het gereedschap is uitgeschakeld en de accu ervan is verwijderd alvorens de functies op het gereedschap af te stellen of te controleren.

De accu aanbrengen en verwijderen

⚠ LET OP: Schakel het gereedschap altijd uit voordat u de accu aanbrengt of verwijderd.

⚠ LET OP: Houd het gereedschap en de accu stevig vast tijdens het aanbrengen of verwijderen van de accu. Als u het gereedschap en de accu niet stevig vasthoudt, kunnen deze uit uw handen glijpen en het gereedschap of de accu beschadigen, of kan persoonlijk letsel worden veroorzaakt.

► Fig. 1: 1. Rood deel 2. Knop 3. Accu

Om de accu te verwijderen verschuift u de knop aan de voorkant van de accu en schuift u tegelijkertijd de accu uit het gereedschap.

Om de accu aan te brengen lijnt u de lip op de accu uit met de groef in de behuizing en duwt u de accu op zijn plaats. Steek de accu zo ver mogelijk in het gereedschap tot u een klinkgeluid hoort. Als u het rode deel aan de bovenkant van de knop kunt zien, is de accu niet goed aangebracht.

⚠ LET OP: Breng de accu altijd helemaal aan totdat het rode deel niet meer zichtbaar is. Als u dit niet doet, kan de accu per ongeluk uit het gereedschap vallen en u of anderen in uw omgeving verwonden.

⚠ LET OP: Breng de accu niet met kracht aan. Als de accu niet gemakkelijk in het gereedschap kan worden geschoven, wordt deze niet goed aangebracht.

De resterende acculading controleren

Alleen voor accu's met indicatorlampjes

► Fig.2: 1. Indicatorlampjes 2. Testknop

Druk op de testknop op de accu om de resterende acculading te zien. De indicatorlampjes branden gedurende enkele seconden.

Indicatorlampjes			Resterende acculading
Brandt	Uit	Knipper	
■	□	▧	
■ ■ ■ ■			75% tot 100%
■ ■ ■ □			50% tot 75%
■ ■ □ □			25% tot 50%
■ □ □ □			0% tot 25%
▧ □ □ □			Laad de accu op.
■ ■ □ □			Er kan een storing zijn opgetreden in de accu.
□ □ ■ ■	↑ ↓		

OPMERKING: Afhankelijk van de gebruiksomstandigheden en de omgevingstemperatuur, is het mogelijk dat de aangegeven acculading verschilt van de werkelijke acculading.

Gereedschap-/accubeveiligingssysteem

Het gereedschap is voorzien van een gereedschap-/accubeveiligingssysteem. Dit systeem schakelt automatisch de voeding naar de motor uit om de levensduur van het gereedschap en de accu te verlengen. Het gereedschap kan tijdens het gebruik automatisch stoppen als het gereedschap of de accu aan één van de volgende omstandigheden wordt blootgesteld:

Overbelastingsbeveiliging

Als de accu wordt gebruikt op een manier waardoor een abnormaal hoge stroom wordt getrokken, stopt het gereedschap automatisch en wordt het bijbehorende foutnummer weergegeven op het displaypaneel. Schakel in dat geval het gereedschap uit en stop het gebruik dat ertoe leidde dat het gereedschap overbelast raakte. Schakel daarna het gereedschap in om het weer te starten.

Oververhittingsbeveiliging

Wanneer het gereedschap of de accu oververhit is, stopt het gereedschap automatisch en wordt het bijbehorende foutnummer weergegeven op het displaypaneel. Laat in dat geval het gereedschap en de accu afkoelen voordat u het gereedschap opnieuw inschakelt.

Beveiliging tegen te ver ontladen

Wanneer de accucapaciteit onvoldoende is, stopt het gereedschap automatisch en wordt het bijbehorende foutnummer weergegeven op het displaypaneel. Verwijder in dat geval de accu vanaf het gereedschap en laad de accu op.

Hoofdschakelaar

▲LET OP: Wanneer u het gereedschap inschakelt, brengt u nooit uw ledematen of gezicht dicht bij de vlechtende of roterende delen van de gereedschapskop. Anders kan letsel ontstaan.

▲LET OP: Wanneer het gereedschap is ingeschakeld, mag u nooit de vlechtende of roterende delen van de gereedschapskop aanraken. Anders kan letsel ontstaan.

▲LET OP: Voordat u de accu aanbrengt, verzekert u zich ervan dat u uw vinger van de trekverschakelaar hebt afgehaald en vergrendelt u de trekker. Als u de accu aanbrengt terwijl de trekverschakelaar ingeknepen wordt gehouden, kan een ongeval worden veroorzaakt in het geval het draadvlechten per ongeluk wordt uitgevoerd.

► Fig.3

Als u op de aan-uitknop drukt, wordt het gereedschap ingeschakeld en gaat de vlechtfunctielamp branden. Het gereedschap wordt in zijn beginstand zet en beweegt kortstondig. Nadat deze instelling is voltooid, stopt het gereedschap automatisch. Als u nogmaals op de aan-uitknop drukt, wordt het gereedschap uitgeschakeld en gaat de vlechtfunctielamp uit.

► Fig.4: 1. Vlechtfunctielamp 2. Aan-uitknop

OPMERKING: Dit gereedschap heeft een automatische uitschakelfunctie. Als de trekkerschakelaar gedurende 10 minuten niet wordt ingeknepen, wordt het gereedschap automatisch uitgeschakeld om het stroomverbruik uit de accu te verlagen.

OPMERKING: Om het gereedschap te starten, schakelt u het gereedschap weer in.

Funcatiekeuzeknop

Als het gereedschap is ingeschakeld en de vlechtfunctielamp brandt, kunt u met de functiekeuzeknop de enkelvoudige bedieningsfunctie of de ononderbroken bedieningsfunctie selecteren. Als u het gereedschap weer inschakelt, start het gereedschap in de functie die het laatst werd geselecteerd.

► Fig.5: 1. Functiekeuzeknop 2. Enkelvoudige bedieningsfunctie 3. Ononderbroken bedieningsfunctie

De trekkerschakelaar gebruiken

▲WAARSCHUWING: Alvorens de accu in het gereedschap te plaatsen, moet u altijd controleren of de trekkerschakelaar goed werkt en bij het loslaten terugkeert naar de stand "OFF".

▲LET OP: Wanneer u het gereedschap niet gebruikt, drukt u op de trekvergrendelknop vanaf de -kant om de trekkerschakelaar te vergrendelen in de uit-stand.

► Fig.6: 1. Trekkerschakelaar
2. Trekkervergrendelknop

Om te voorkomen dat de trekkerschakelaar per ongeluk wordt bediend, is de trekvergrendelknop aangebracht. Om het gereedschap te starten, drukt u vanaf de A-kant op de trekvergrendelknop en knijpt u de trekkerschakelaar in. Laat de trekkerschakelaar los om het gereedschap te stoppen. Na gebruik drukt u op de trekvergrendelknop vanaf de B-kant.

Wanneer u de trekkerschakelaar inknijpt, voert het gereedschap de volgende handelingen achtereenvolgens uit, waarna het gereedschap automatisch stopt.

1. De draad wordt toegevoerd.
2. De draad wordt afgeknipt.
3. De haak houdt de draad vast en draait deze ineen.
4. De haak keert terug naar de oorspronkelijke stand.

De vlechtsterkte instellen

⚠ LET OP: Verzeker u ervan de trekker te vergrendelen voordat u begint met instellen. Wanneer u het gereedschap inschakelt, brengt u nooit uw ledematen of gezicht dicht bij de vlechtende of roterende delen van de gereedschapskop. Anders kan letsel ontstaan.

► Fig.7

U kunt de vlechtsterkte instellen door de vlechtsterkte-instelknop in te stellen. De vlechtsterkte wordt weergegeven op het displaypaneel.

► Fig.8: 1. Vlechtsterkte-instelknop 2. Displaypaneel

Als de draad breekt, gaat de vlechtsterkte verloren. Controleer na het vlechten het ineengedraaide deel op een breuk.

Als de draad gebroken is, stelt u de vlechtsterkte in met behulp van de vlechtsterkte-instelknop en vlecht u de betonijzers opnieuw.

Aanduiding resterende acculading

Wanneer de acculading onder het vereiste niveau daalt, stopt het gereedschap met werken, klinkt een foutsignaal en wordt het cijfer '4' weergegeven op het displaypaneel. Het foutsignaal blijft klinken tot het gereedschap wordt uitgeschakeld.

OPMERKING: Als de omgevingstemperatuur extreem laag is, kan het foutsignaal klinken ondanks dat er voldoende acculading over is.

MONTAGE

⚠ LET OP: Zorg altijd dat het gereedschap is uitgeschakeld en de accu ervan is verwijderd alvorens enig werk aan het gereedschap uit te voeren.

De vlechtdraad (draadhaspel) aanbrengen

⚠ LET OP: Alvorens vlechtdraad of accessoires wordt aangebracht of verwijderd, verzekert u zich ervan dat het gereedschap is uitgeschakeld, de trekker is vergrendeld en de accu is verwijderd. Als u dit niet doet, kan een ongeval worden veroorzaakt.

KENNISGEVING: Als een andere draad wordt gebruikt dan een originele draad van Makita (geglote draad), kan een storing in het gereedschap worden veroorzaakt.

1. Duw de ontgrendelhendel in en vergrendel deze met de vergrendelhendel.

► Fig.9: 1. Ontgrendelhendel 2. Vergrendelhendel

Wanneer u de ontgrendelhendel indruwt, wordt een ruimte gecreëerd tussen de linker en rechter toevoertandwielen.

► Fig.10: 1. Ontgrendelhendel 2. Vergrendelhendel 3. Toevoertandwielen

2. Trek het plakband waarmee de draad is vastgezet los en trek het uiteinde van de draad los.

► Fig.11: 1. Plakband 2. Uiteinde van de draad

3. Open de haspelafdekking.

► Fig.12: 1. Haspelafdekking

4. Breng de draadhaspel aan in het gereedschap, in de richting aangegeven in de afbeelding.

► Fig.13: 1. Draadhaspel

KENNISGEVING: Verzeker u ervan de draadhaspel aan te brengen in de richting aangegeven in de afbeelding. Als deze verkeerd om wordt aangebracht, wordt de draad losgelaten en kan deze worden verdraaid.

5. Maak het uiteinde van de draad recht en steek de draad door de geleider.

► Fig.14: 1. Geleider

OPMERKING: Als het uiteinde van de draad verbogen is wanneer deze door de geleider wordt gestoken, kan de draad vast komen te zitten in het gereedschap.

OPMERKING: Als u de draad forceert terwijl u deze door de geleider probeert te steken, kan de draad vast komen te zitten.

6. Trek de draad ongeveer 10 mm uit het uiteinde van de arm.

► Fig.15: 1. Arm 2. Ongeveer 10 mm

KENNISGEVING: Als de draad onvoldoende ver eruit wordt getrokken, kan de draad tijdens het vlechten breken, of kan de vlechtsterkte onvoldoende zijn als gevolg van onvoldoende ineendraaien.

7. Verwijder het hele stuk plakband waarmee de draad is vastgezet.

► Fig.16

8. Wikkel de draad op zodat deze strak staat.

► Fig.17

9. Ontgrendel de vergrendelhendel. De ontgrendelhendel keert terug en de draad wordt vastgeklemd tussen de linker en rechter tandwielen.

► Fig.18: 1. Ontgrendelhendel 2. Vergrendelhendel

► Fig.19: 1. Tandwiel 2. Route van de draad 3. Draad

KENNISGEVING: Wanneer de vergrendelendel wordt ontgrendeld en wanneer de linker en rechter tandwielen in elkaar grijpen, vormen de groeven in de tandwielen een open ruimte. Deze ruimte vormt de route van de draad. Verzeker u ervan dat de draad deze route volgt.

10. Sluit de haspelafdekking.
► Fig.20: 1. Haspelafdekking

BEDIENING

Vóór het werk controleren

▲LET OP: Als het gereedschap een probleem heeft met het veiligheidsmechanisme, mag u het niet gebruiken. Als u het blijft gebruiken, kan een ongeval zich voordoen.

Voordat u het gereedschap gebruikt, verzekert u zich ervan dat het veiligheidsmechanisme normaal werkt. Als het gereedschap werkt zonder dat het veiligheidsmechanisme werkt, stopt u onmiddellijk met het gebruik van het gereedschap. Vraag uw plaatselijk Makita-servicecentrum het gereedschap te repareren.

De trekervergrendeling controleren

Het gereedschap is uitgerust met een trekervergrendeling om te voorkomen dat het gereedschap onbedoeld in werking treedt. Vergrendel de trekker en bevestig dat de trekkerschakelaar niet kan worden ingeknepen.

De krulgeleider controleren

Om te voorkomen dat de gebruiker de vlechtende of roterende delen van de gereedschapskop per ongeluk aanraakt, zal het gereedschap zelfs niet in werking treden wanneer de trekkerschakelaar wordt ingeknepen in het geval de krulgeleider open staat. Nadat de gebruiker zijn/haar vinger van de trekkerschakelaar heeft afgehaald en de krulgeleider heeft gesloten, kan het gereedschap worden bediend.

- Fig.21: 1. Krulgeleider

Detectie van krulgeleider open/dicht controleren

Verwijder de vlechtdraad, controleer de werking van het gereedschap aan de hand van de volgende stappen, en verzekert u ervan dat het gereedschap niet start wanneer de krulgeleider open staat.

1. Schakel het gereedschap uit en laat de krulgeleider open staan.
2. Schakel het gereedschap in.

Als het gereedschap niet werkt en als het cijfer "2" wordt weergegeven op het displaypaneel, is de toestand van het gereedschap normaal. Schakel het gereedschap uit en sluit de krulgeleider.

Als het gereedschap werkt en als geen fout wordt weergegeven op het displaypaneel, is de toestand van het gereedschap abnormaal. Stop onmiddellijk met het gebruik van het gereedschap en vraag uw plaatselijke Makita-servicecentrum het gereedschap te repareren.

▲LET OP: Als u de krulgeleider opent en het gereedschap inschakelt om de blokkering te controleren, houdt u de krulgeleider zoals aangegeven in de afbeelding. Breng nooit uw ledematen of gezicht dicht bij de vlechtende of roterende delen van de gereedschapskop. Anders kan letsel ontstaan.

- Fig.22

Vlechtwerk

▲LET OP: Voordat u de accu aanbrengt, verzekert u zich ervan dat u uw vinger van de trekkerschakelaar hebt afgehaald en vergrendelt u de trekker. Als u de accu aanbrengt terwijl de trekkerschakelaar ingeknepen wordt gehouden, kan een ongeval worden veroorzaakt in het geval het draadvlechten per ongeluk wordt uitgevoerd.

▲LET OP: Wanneer u het gereedschap inschakelt, brengt u nooit uw ledematen of gezicht dicht bij de vlechtende of roterende delen van de gereedschapskop. Anders kan letsel ontstaan.

▲LET OP: Wanneer het gereedschap is ingeschakeld, mag u nooit de vlechtende of roterende delen van de gereedschapskop aanraken. Anders kan letsel ontstaan.

- Fig.23

Vorbereidingen voor het werk

1. Verzekert u ervan dat de accu is verwijderd en de trekker is vergrendeld.
2. Breng de accu aan op het gereedschap en schakel het gereedschap in. Wanneer u het gereedschap inschakelt, wordt de draad automatisch afgeknipt.

KENNISGEVING: Verzekert u ervan dat de vlechtfunctielamp brandt wanneer het gereedschap is ingeschakeld. Als deze niet brandt, laad u de accu op.

3. Ontgrendel de trekervergrendeling.
► Fig.24: 1. Trekker-vergrendelknop
2. Trekkerschakelaar 3. Aan-uitknop
4. Vlechtfunctielamp

Enkelvoudige bedieningsfunctie

1. Duw de arm stevig tegen het vlechtpunt. Duw het gereedschap verticaal tegen de betonijzers en druk de arm onder een hoek van 45 graden tegen het punt waar de betonijzers elkaar kruisen.
► Fig.25
2. Knijp de trekkerschakelaar één keer in.
3. De draad wordt aangevoerd en automatisch afgeknipt.
4. De haak houdt de draad vast en draait deze ineen, en keert daarna terug naar de oorspronkelijke stand nadat de draden zijn gevlochten.
► Fig.26

5. Wees na het vlechten voorzichtig dat de arm niet blijft haken achter een betonijzer en trek het gereedschap omhoog.

⚠ LET OP: Als de draad is achtergebleven tussen de vlechtende delen van de gereedschapskop, schakelt u het gereedschap uit. Vergrendel de trekker, verwijder de accu en verwijder vervolgens de draad met behulp van gereedschappen zoals een kniptang of platbektang.

► Fig.27

Ononderbroken bedieningsfunctie

1. Verander de werkingsfunctie van het gereedschap met behulp van de functiekeuzeknop van de enkelvoudige bedieningsfunctie naar de ononderbroken bedieningsfunctie.

► Fig.28: 1. Functiekeuzeknop

2. Ontgrendel de trekvergrendeling.

3. Terwijl u de trekkerschakelaar ingeknepen houdt, duwt u het gereedschap verticaal tegen de betonijzers en drukt u de arm onder een hoek van 45 graden tegen het punt waar de betonijzers elkaar kruisen. Druk de contactplaat stevig tegen het vlechtpunt. De draad wordt gevlochten.

► Fig.29: 1. Contactplaat

4. Wees na het vlechten voorzichtig dat de arm niet blijft haken achter een betonijzer en trek het gereedschap omhoog.

► Fig.30

Voorzorgen tijdens het werk

- Als u de arm verplaatst vanaf het vlechtpunt tijdens het draadvlechten, zal de draad vastlopen op de haak, waardoor verkeerd kan worden gevlochten.
- Blijf het gereedschap tegen de betonijzers drukken totdat het draadvlechten voltooid is.
- Ga niet naar het volgende vlechtpunt voordat het huidige draadvlechten is voltooid.
- Het roterende deel van de gereedschapskop (haak) draait de draad ineens tijdens het draadvlechten. Houd de handgreep stevig vast zodat niet aan uw lichaam wordt getrokken door het gereedschap.
- Raak tijdens het draadvlechten de draden niet aan.
- Als u het draadvlechten uitvoert in de enkelvoudige bedieningsfunctie, haalt u uw vinger volledig van de trekkerschakelaar af. Ga daarna verder met het bedienen van de trekkerschakelaar.
- Als u de trekkerschakelaar inknipt zonder dat vlechtdraad over is, wordt een fout weergegeven. Breng nieuwe vlechtdraad aan en schakel het gereedschap weer in.

Tips voor vlechten

- Verdraai het gereedschap onder een hoek van 45° ten opzichte van de haakse betonijzers en vlecht ze om en om zoals aangegeven in de afbeelding.

► Fig.31

- Vermijd verdikte gedeelten van de betonijzers.

► Fig.32

- Als de vlechtsterkte onvoldoende is, verandert u de vlechtrichting en voert u het vlechten twee keer uit zodat de vlechtsterkte toeneemt.

► Fig.33

KENNISGEVING: Wanneer u de tweede vlechting maakt, buigt u het uiteinde van de eerste vlechting voordat u de tweede vlechting maakt. Anders kan de draad een tweede keer worden teruggeworpen. Hij kan aan de gereedschapskop vast blijven zitten en de haak kan worden beschadigd.

De vlechtdraad vervangen

⚠ LET OP: Wanneer u de vlechtdraad vervangt, verzekert u zich ervan dat het gereedschap is uitgeschakeld, de trekker is vergrendeld en de accu is verwijderd. Als u dit niet doet, kan een ongeval worden veroorzaakt.

1. Als de draad opgebruikt is, klinkt een foutsignaal en wordt het cijfer "1" weergegeven.

2. Vergrendel de trekker, schakel het gereedschap uit en verwijder de accu.

3. Duw de ontgrendelhendel in en vergrendel deze met de vergrendelhendel.

► Fig.34: 1. Ontgrendelhendel 2. Vergrendelhendel

4. Verwijder de draadhaspel uit het gereedschap.

OPMERKING: Als de draad normaal is opgebruikt, resteeft nog ongeveer 20 cm draad op de haspel. Vervang in die toestand de draadhaspel door een nieuwe.

Als het moeilijk is om de draadhaspel uit het gereedschap te verwijderen, volgt u de onderstaande stappen.

1. Breng de accu aan op het gereedschap en schakel het gereedschap in. Het gereedschap voert de draad aan en knipt deze automatisch af.

2. Vergrendel de trekker, schakel het gereedschap uit en verwijder de accu.

3. Verwijder de draadbreuken met behulp van gereedschappen zoals een kniptang of platbektang.

ONDERHOUD

⚠ LET OP: Zorg altijd dat het gereedschap is uitgeschakeld en de accu ervan is verwijderd alvorens te beginnen met onderhoud of inspectie.

KENNISGEVING: Gebruik nooit benzine, wasbenzine, thinner, alcohol en dergelijke. Hierdoor kunnen verkleuring, vervormingen en barsten worden veroorzaakt.

Om de VEILIGHEID en BETROUWBAARHEID van het gereedschap te handhaven, dienen alle reparaties, onderhoud of afstellingen te worden uitgevoerd bij een erkend Makita-servicecentrum of de Makita-fabriek, en altijd met gebruik van Makita-vervangingsonderdelen.

De inbussleutel opbergen

Bewaar de inbussleutel op de plaats aangegeven in de afbeelding.

► **Fig.35:** 1. Inbussleutel

De knipper schoonmaken

Wanneer het gereedschap gedurende een lange tijd wordt gebruikt, kunnen stof en stukjes draad vast blijven zitten in het knipper-gedeelte. Demonteer in dat geval de knipper en maak deze schoon aan de hand van de volgende procedure.

Als een draad vastzit in het knipper-gedeelte, kan de draad worden verwijderd door dezelfde procedure te volgen.

Demonteren en schoonmaken

1. Draai de bouten A en B los met behulp van de inbussleutel die in de gereedschapsset zit.

► **Fig.36:** 1. Bout A 2. Bout B 3. Contactplaatafdekking
4. Draadgeleider B

KENNISGEVING: Verwijder geen bouten met kracht die niet verwijderd kunnen worden met de inbussleutel.

2. Trek de contactplaatafdekking omhoog in de richting van de pijl en verwijder hem. Bout B wordt tegelijkertijd verwijderd.

► **Fig.37:** 1. Contactplaatafdekking 2. Bout B

3. Verwijder bout A en verwijder draadgeleider B.

► **Fig.38:** 1. Bout A 2. Draadgeleider B

4. Draai draadgeleider B om en reinig de binnenkant.

► **Fig.39**

5. Verwijder knipper A, knipper B, de bovenplaat en de verbindingsarm A vanaf armplaat A. Maak deze vervolgens schoon.

► **Fig.40:** 1. Knipper B 2. Verbindingsarm A 3. Knipper A 4. Armplaat A 5. Bovenplaat

Monteren

Nadat u klaar bent met het schoonmaken, monteert u de onderdelen aan de hand van de volgende procedure.

1. Monteer knipper A en verbindingsarm A overeenkomstig de vorm van armplaat A.

► **Fig.41:** 1. Knipper A 2. Verbindingsarm A
3. Armplaat A

2. Monteer knipper B en de bovenplaat op armplaat A.

(Monteer knipper B op knipper A en verbindingsarm A.)

► **Fig.42:** 1. Knipper B 2. Bovenplaat 3. Armplaat A
4. Knipper A 5. Verbindingsarm A

KENNISGEVING: Richt het uitsteeksel van knipper B omlaag en monteert de knipper zoals aangegeven in de afbeelding.

3. Lijn de pijp van het gereedschap uit met de sleuf binnenin draadgeleider B en monteer ze.

► **Fig.43:** 1. Pijp 2. Sleuf 3. Draadgeleider B

4. Bevestig draadgeleider B door tijdelijk bout A vast te draaien.

► **Fig.44:** 1. Bout A 2. Draadgeleider B

5. Breng de contactplaatafdekking aan in de richting van de pijl.

► **Fig.45:** 1. Contactplaatafdekking

6. Monteer draadgeleider B en de contactplaatafdekking door bout A en bout B stevig vast te draaien.

► **Fig.46:** 1. Draadgeleider B 2. Contactplaatafdekking
3. Bout A 4. Bout B

7. Controleer na montage of de contactplaat kan bewegen zoals aangegeven in de afbeelding.

► **Fig.47:** 1. Contactplaat

OPMERKING: Als de contactplaat klem zit, drukt u erop zoals aangegeven in de afbeelding.

► **Fig.48**

Foutmelding en foutsignaal

⚠ LET OP: Verzeker u er tijdens inspectie van dat de trekker is vergrendeld, het gereedschap is uitgeschakeld en de accu is verwijderd. Als u dit niet doet, kan een ongeval worden veroorzaakt.

⚠ LET OP: Wanneer u het gereedschap inschakelt, brengt u nooit uw ledematen of gezicht dicht bij de vlechtende of roterende delen van de gereedschapskop. Anders kan letsel ontstaan.

⚠ LET OP: Wanneer het gereedschap is ingeschakeld, mag u nooit de vlechtende of roterende delen van de gereedschapskop aanraken. Anders kan letsel ontstaan.

⚠ LET OP: Als een foutsignaal klinkt of als het gereedschap een storing vertoont, stopt u onmiddellijk met het gebruik van het gereedschap.

Foutsignaal en foutmelding

Als zich een fout voordoet, zal een foutsignaal klinken en een foutnummer worden weergegeven op het displaypaneel. Raadpleeg de volgende tabel en voer de toepasselijke handelingen uit. Als de fout zich blijft voordoen, vraagt u een erkend Makita-servicecentrum het gereedschap te repareren.

Melding	Symptoom	Mogelijke oorzaak	Oplossing
1	Het gereedschap werkt niet meer.	De draad is opgebruikt.	Breng nieuwe vlechtdraad aan.
		Er is geen vlechtdraad geplaatst.	Breng vlechtdraad aan.
		Draad toevoeren is mislukt.	Controleer de richting van de vlechtdraad. Verwijder de vlechtdraad en plaats deze opnieuw. Reinig de route van de draad.
2	Het gereedschap werkt niet meer.	De krulgeleider staat open.	Sluit de krulgeleider.
3	Het gereedschap voert het vlechten niet uit in de ononderbroken bedieningsfunctie.	De contactplaat zit klem.	Maak de contactplaat vrij uit de vastgeklemde stand.
4	Het gereedschap start niet. Het gereedschap werkt niet meer.	De accu is leeg. De temperatuur van de accu is abnormaal hoog.	Laad de accu op. Laat de accu afkoelen. Vervang de accu door een opgeladen accu.
5	Het gereedschap werkt niet meer.	De motor is overbelast.	Bepaal de oorzaak van de blokkering van de motor en los het probleem op.
		Motorstoring	
6	Het gereedschap werkt niet meer.	De temperatuur van het gereedschap is abnormaal hoog.	Laat het gereedschap afkoelen.
7	Het gereedschap start niet. Het gereedschap werkt niet meer.	Het gereedschap is defect.	Vraag een erkende Makita-servicecentrum het gereedschap te repareren.

OPTIONELE ACCESSOIRES

⚠ LET OP: Deze accessoires of hulpstukken worden aanbevolen voor gebruik met het Makita gereedschap dat in deze gebruiksaanwijzing is beschreven. Bij gebruik van andere accessoires of hulpstukken bestaat het gevaar van persoonlijke letsel. Gebruik de accessoires of hulpstukken uitsluitend voor hun bestemde doel.

Wenst u meer bijzonderheden over deze accessoires, neem dan contact op met het plaatselijke Makita-servicecentrum.

- Vlechtdraad
- Originele Makita-accu en -acculader

OPMERKING: Sommige items op de lijst kunnen zijn inbegrepen in de doos van het gereedschap als standaard toebehoren. Deze kunnen van land tot land verschillen.

ESPECIFICACIONES

Modelo:	DTR180
Alambre de amarre (Accesorio opcional)	ø0,8 mm
Diámetro de las varillas que se pueden amarrar	De #3 x #3 a (#4 x 2) x (#4 x 2) De 10 mm x 10 mm a (13 mm x 2) x (13 mm x 2)
Número aproximado de amarres por carrete	Aproximadamente 120 amarres
Longitud total	304 mm
Tensión nominal	CC 14,4/18 V
Peso neto	2,3 - 2,6 kg

- Debido a nuestro continuado programa de investigación y desarrollo, las especificaciones aquí dadas están sujetas a cambios sin previo aviso.
- Las especificaciones y el cartucho de batería pueden diferir de país a país.
- El peso puede variar dependiendo del accesorio(s), incluyendo el cartucho de batería. La combinación menos pesada y la más pesada, de acuerdo con el procedimiento EPTA 01/2014, se muestran en la tabla.

Cartucho de batería y cargador aplicables

Cartucho de batería	Modelo de CC 14,4 V	BL1415N / BL1430 / BL1430B / BL1440 / BL1450 / BL1460B
	Modelo de CC 18 V	BL1815N / BL1820 / BL1820B / BL1830 / BL1830B / BL1840 / BL1840B / BL1850 / BL1850B / BL1860B
Cargador	DC18RC / DC18RD / DC18RE / DC18SD / DC18SE / DC18SF	

- Algunos de los cartuchos de batería y cargadores indicados arriba puede que no estén disponibles dependiendo de su región de residencia.

⚠ ADVERTENCIA: Utilice solamente los cartuchos de batería y cargadores listados arriba. La utilización de cualquier otro cartucho de batería y cargador puede ocasionar heridas y/o un incendio.

Combinación de varillas que se pueden amarrar

Combinación de 2 varillas

	#3 (10 mm)	#4 (13 mm)	#5 (16 mm)
#3 (10 mm)	✓	✓	✓
#4 (13 mm)	✓	✓	✓
#5 (16 mm)	✓	✓	✓

Combinación de 3 varillas

	#3 x #3 (10 mm x 10 mm)	#4 x #4 (13 mm x 13 mm)
#3 (10 mm)	✓	✓
#4 (13 mm)	✓	✓
#5 (16 mm)	✓	-

Combinación de 4 varillas

	#3 x #3 (10 mm x 10 mm)	#4 x #4 (13 mm x 13 mm)
#3 x #3 (10 mm x 10 mm)	✓	✓
#4 x #4 (13 mm x 13 mm)	✓	✓

AVISO: Si hay un espacio entre las varillas o si la herramienta se utiliza en una orientación incorrecta, es posible que las varillas no se puedan amarrar.

Símbolos

A continuación se muestran los símbolos utilizados con este equipo. Asegúrese de que entiende su significado antes de usarlo.



Lea el manual de instrucciones.



Póngase gafas de seguridad.



No exponer a la lluvia.



Mantenga las manos alejadas del carrete de alambre o del alambre cuando utilice la herramienta.



Mantenga las manos alejadas de la punta de la herramienta.



Sólo para países de la Unión Europea
¡No deseche los aparatos eléctricos o baterías junto con los residuos domésticos! De conformidad con las Directivas Europeas, sobre residuos de aparatos eléctricos y electrónicos y baterías y acumuladores y residuos de baterías y acumuladores y su aplicación de acuerdo con la legislación nacional, los aparatos eléctricos y pilas y baterías cuya vida útil haya llegado a su fin deberán ser recogidos por separado y trasladados a una planta de reciclaje que cumpla con las exigencias ecológicas.

Uso previsto

La herramienta ha sido prevista para amarrar varillas.

Ruido

El nivel de ruido A-ponderado típico determinado de acuerdo con la norma EN60745-2-18 (EN12549):

Nivel de presión sonora (L_{pA}): 78 dB (A)

Error (K): 3 dB (A)

El nivel de ruido en situación de trabajo puede exceder 80 dB (A).

ADVERTENCIA: Póngase protectores para oídos.

Vibración

El valor total de la vibración (suma de vectores triaxiales) determinado de acuerdo con la norma EN60745-2-18 (ISO8662-11):

Modo de trabajo: Amarre de varillas metálicas

Emisión de vibración (a_{h1}): 2,5 m/s² o menos

Error (K): 1,5 m/s²

NOTA: El valor de emisión de vibración declarado ha sido medido de acuerdo con el método de prueba estándar y se puede utilizar para comparar una herramienta con otra.

NOTA: El valor de emisión de vibración declarado también se puede utilizar en una valoración preliminar de exposición.

ADVERTENCIA: La emisión de vibración durante la utilización real de la herramienta eléctrica puede variar del valor de emisión declarado dependiendo de las formas en las que la herramienta sea utilizada.

ADVERTENCIA: Asegúrese de identificar medidas de seguridad para proteger al operario que estén basadas en una estimación de la exposición en las condiciones reales de utilización (teniendo en cuenta todas las partes del ciclo operativo como las veces cuando la herramienta está apagada y cuando está funcionando en vacío además del tiempo de gatillo).

Declaración CE de conformidad

Para países europeos solamente

La declaración CE de conformidad está incluida como Anexo A de esta manual de instrucciones.

ADVERTENCIAS DE SEGURIDAD

Advertencias de seguridad para herramientas eléctricas en general

ADVERTENCIA: Lea todas las advertencias de seguridad, instrucciones, ilustraciones y especificaciones provistas con esta herramienta eléctrica. Si no sigue todas las instrucciones indicadas abajo podrá resultar en una descarga eléctrica, un incendio y/o heridas graves.

Guarde todas las advertencias e instrucciones para futuras referencias.

El término "herramienta eléctrica" en las advertencias se refiere a su herramienta eléctrica de funcionamiento con conexión a la red eléctrica (con cable) o herramienta eléctrica de funcionamiento a batería (sin cable).

Advertencias de seguridad para la amarradora inalámbrica de varilla

1. **No apunte nunca la herramienta hacia una persona. No ponga nunca las manos o los pies cerca de la punta de la herramienta.** Si opera accidentalmente la herramienta mientras esta está tocando a alguien, dará lugar a un accidente inesperado.

2. **No cargue alambre mientras la alimentación de la herramienta está conectada.** De lo contrario, podrá engancharse en el alambre y herirse.
3. **No utilice la herramienta sin haber cerrado la cubierta del carrete.** De lo contrario, el carrete de alambre podrá desprenderse y ocasionar un accidente.
4. **Asegúrese de comprobar que los diámetros de las varillas que van a ser amarradas se encuentran dentro de la capacidad de la herramienta antes de comenzar el trabajo.**
5. **Póngase ropa que tenga mangas y bajos ajustados. No trabaje con una toalla u otro objeto enrollado alrededor del cuello.** De lo contrario, podrá engancharse en la parte giratoria y ocasionar un accidente.
6. **Asegúrese de inspeccionar los puntos siguientes antes de utilizar la herramienta.**
 - Compruebe que no hay partes dañadas
 - Compruebe que no hay pernos flojos
 - Compruebe que los dispositivos de seguridad funcionan con normalidad
7. **Si se encuentra alguna anomalía, deje de utilizar la herramienta inmediatamente. No repare la herramienta usted mismo. Pida a su centro de servicio local de Makita que le hagan las reparaciones.** Si la herramienta es utilizada en un estado incompleto, podrá producirse un accidente.
8. **Cuando instale el cartucho de batería, asegúrese de bloquear el gatillo y no poner el dedo en el gatillo.** Una operación incorrecta podrá ocasionar un accidente.
9. **Cuando amarre varillas, tenga cuidado de no moverlas.** Si las varillas se mueven debido al amarre, podrá herirse.
10. **No toque el alambre durante el proceso de amarre con alambre.** De lo contrario, podrá engancharse en el alambre y herirse.
11. **No acerque las manos al punto de amarre durante el proceso de amarre con alambre.** De lo contrario, podrá engancharse en el alambre y herirse.
12. **Sujete la empuñadura de la herramienta firmemente durante el proceso de amarre con alambre.** De lo contrario, su muñeca podrá retorcerse o su cuerpo ser arrastrado, lo que podrá resultar en heridas.
13. **No se mueva al siguiente punto de amarre hasta que el proceso de amarre con alambre actual esté completo.** De lo contrario, podrá herirse.
14. **Preste atención al extremo del alambre durante el proceso de amarre con alambre.** De lo contrario, el extremo del alambre podrá enganchar su mano, y podrá herirse.
15. **No toque la placa de contacto durante el proceso de amarre con alambre.** Si necesita tocar la placa de contacto, asegúrese de bloquear el gatillo, o desactivar el interruptor de alimentación y retirar el cartucho de batería. De lo contrario, podrá herirse.
16. **Cuando haya completado el proceso de amarre con alambre, levante la herramienta verticalmente.** De lo contrario, el brazo podrá engancharse en las varillas, lo que podrá ocasionar un accidente.
17. **Tenga cuidado de no dejar caer, chocar, o golpear la herramienta. Si se aplica un impacto fuerte antes de utilizar la herramienta, asegúrese de que la herramienta no está dañada o agrietada, y que los dispositivos de seguridad funcionan con normalidad.** De lo contrario, podrá producirse un accidente.
18. **Si ocurre cualquiera de los fenómenos siguientes, bloquee el gatillo, desactive el interruptor de alimentación, y retire el cartucho de batería de la herramienta.** Si la herramienta funciona incorrectamente, podrá producirse un accidente.
 - Si se oye un sonido de operación en cuanto se monta el cartucho de batería.
 - Si se detectan recalentamiento u olores o ruidos anormales.
 - Cuando esté tomando medidas en respuesta a la visualización de error. (Pida a su centro de servicio local de Makita que le hagan las reparaciones.)
 - Cuando cargue o descargue un carrete de alambre.
 - Cuando se mueva de sitio mientras sujeta la herramienta durante el trabajo.
 - Cuando no utilice la herramienta.
 - Cuando inspeccione o ajuste la herramienta.
 - Cuando retire alambre enganchado.
19. **Cuando trabaje en andamio, establécilo siempre y trabaje adoptando una postura que garantice el mantenimiento de su equilibrio.** Si el andamio es inestable, podrá producirse un accidente.
20. **Cuando trabaje en un tejado o lugares similares, muévase en dirección hacia adelante mientras trabaja de forma que pueda ver hacia dónde va.** Si se mueve en dirección hacia atrás mientras trabaja, podrá perder el pie y ocasionar un accidente.
21. **Si está trabajando en un lugar muy elevado, asegúrese de que no haya nadie debajo, y preste atención para asegurarse de que no deja caer ninguna herramienta mientras trabaja.** Dejar caer la herramienta podrá ocasionar un accidente.
22. **No utilice la herramienta para ningún trabajo aparte de para amarre con alambre.** De lo contrario, podrá producirse un accidente.
23. **Utilice siempre alambre genuino de Makita. Si el alambre no se utiliza durante un periodo de tiempo largo, podrá oxidarse. No utilice alambre oxidado.** De lo contrario, podrá ocasionar un accidente.
24. **Después de amarrar, compruebe que el alambre no se ha roto debido a un retorcimiento excesivo. Si el alambre está roto, la fuerza de amarre se perderá. Ajuste la fuerza de amarre, y amarre las varillas otra vez.**
25. **Coloque el brazo firmemente contra las varillas.** Si no está posicionado firmemente, se creará un espacio entre las varillas, y la fuerza de amarre se verá comprometida.

Instrucciones de seguridad importantes para el cartucho de batería

1. Antes de utilizar el cartucho de batería, lea todas las instrucciones e indicaciones de precaución sobre (1) el cargador de baterías, (2) la batería, y (3) el producto con el que se utiliza la batería.
2. No desarme el cartucho de batería.
3. Si el tiempo de uso se acorta demasiado, cese la operación inmediatamente. Podría resultar en un riesgo de recalentamiento, posibles quemaduras e incluso una explosión.
4. Si entra electrólito en sus ojos, aclárelos con agua limpia y acuda a un médico inmediatamente. Existe el riesgo de poder perder la vista.
5. No cortocircuite el cartucho de batería:
 - (1) No toque los terminales con ningún material conductor.
 - (2) Evite guardar el cartucho de batería en un cajón junto con otros objetos metálicos, como clavos, monedas, etc.
 - (3) No exponga el cartucho de batería al agua ni a la lluvia.

Un cortocircuito en la batería puede producir una gran circulación de corriente, un recalentamiento, posibles quemaduras e incluso una rotura de la misma.
6. No guarde la herramienta y el cartucho de batería en lugares donde la temperatura pueda alcanzar o exceder los 50 °C.
7. Nunca incinere el cartucho de batería incluso en el caso de que esté dañado seriamente o ya no sirva en absoluto. El cartucho de batería puede explotar si se tira al fuego.
8. Tenga cuidado de no dejar caer ni golpear el cartucho de batería.
9. No utilice una batería dañada.
10. Las baterías de litio-ion contenidas están sujetas a los requisitos de la Legislación para Materiales Peligrosos.

Para transportes comerciales, p.ej., por terceras personas y agentes de transportes, se deberán observar requisitos especiales para el empaquetado y etiquetado.

Para la preparación del artículo que se va a enviar, se requiere consultar con un experto en materiales peligrosos. Por favor, observe también la posibilidad de reglamentos nacionales más detallados.

Cubra con cinta aislante o enmascare los contactos expuestos y empaquete la batería de tal manera que no se pueda mover alrededor dentro del embalaje.
11. **Siga los reglamentos locales referentes al desecho de la batería.**
12. **Utilice las baterías solamente con los productos especificados por Makita.** La instalación de las baterías en productos no compatibles puede resultar en un incendio, calor excesivo, explosión, o fuga de electrolito.

GUARDE ESTAS INSTRUCCIONES.

PRECAUCIÓN: Utilice solamente baterías genuinas de Makita. La utilización de baterías no genuinas de Makita, o baterías que han sido alteradas, puede resultar en una explosión de la batería ocasionando incendios, heridas personales y daños. También anulará la garantía de Makita para la herramienta y el cargador de Makita.

Consejos para alargar al máximo la vida de servicio de la batería

1. Cargue el cartucho de batería antes de que se descargue completamente. Detenga siempre la operación y cargue el cartucho de batería cuando note menos potencia en la herramienta.
2. No cargue nunca un cartucho de batería que esté completamente cargado. La sobrecarga acortará la vida de servicio de la batería.
3. Cargue el cartucho de batería a temperatura ambiente de 10 °C - 40 °C. Si un cartucho de batería está caliente, déjelo enfriar antes de cargarlo.
4. Cargue el cartucho de batería si no lo utiliza durante un periodo de tiempo prolongado (más de seis meses).

DESCRIPCIÓN DEL FUNCIONAMIENTO

PRECAUCIÓN: Asegúrese siempre de que la herramienta está apagada y el cartucho de batería retirado antes de realizar cualquier ajuste o comprobación en la herramienta.

Instalación o extracción del cartucho de batería

PRECAUCIÓN: Apague siempre la herramienta antes de instalar o retirar el cartucho de batería.

PRECAUCIÓN: Sujete la herramienta y el cartucho de batería firmemente cuando instale o retire el cartucho de batería. Si no sujeta la herramienta y el cartucho de batería firmemente podrán caérsele de las manos y resultar en daños a la herramienta y al cartucho de batería y heridas personales.

► Fig.1: 1. Indicador rojo 2. Botón 3. Cartucho de batería

Para retirar el cartucho de batería, deslícelo de la herramienta mientras desliza el botón de la parte frontal del cartucho.

Para instalar el cartucho de batería, alinee la lengüeta del cartucho de batería con la ranura de la carcasa y deslícelo hasta que encaje en su sitio. Insértelo a tope hasta que se bloquee en su sitio produciendo un pequeño chasquido. Si puede ver el indicador rojo en el lado superior del botón, no estará bloqueado completamente.

⚠️ PRECAUCIÓN: Instale siempre el cartucho de batería completamente hasta que no pueda verse el indicador rojo. En caso contrario, podrá caerse accidentalmente de la herramienta y ocasionarle heridas a usted o a alguien que esté cerca de usted.

⚠️ PRECAUCIÓN: No instale el cartucho de batería empleando fuerza. Si el cartucho no se desliza al interior fácilmente, será porque no está siendo insertado correctamente.

Modo de indicar la capacidad de batería restante

Solamente para cartuchos de batería con el indicador
 ► Fig.2: 1. Lámparas indicadoras 2. Botón de comprobación

Presione el botón de comprobación en el cartucho de batería para indicar la capacidad de batería restante. Las lámparas indicadoras se iluminan durante unos pocos segundos.

Lámparas indicadoras			Capacidad restante
Iluminada	Apagada	Parpadeando	
			75% a 100%
			50% a 75%
			25% a 50%
			0% a 25%
			Cargue la batería.
			Puede que la batería no esté funcionando bien.

NOTA: Dependiendo de las condiciones de utilización y de la temperatura ambiente, la indicación podrá variar ligeramente de la capacidad real.

Sistema de protección de la herramienta / batería

La herramienta está equipada con un sistema de protección de la herramienta/batería. Este sistema corta automáticamente la alimentación al motor para alargar la vida de servicio de la herramienta y la batería. La herramienta se detendrá automáticamente durante la operación si la herramienta o la batería es puesta en una de las condiciones siguientes:

Protección contra sobrecarga

Quando la batería sea utilizada de una manera que dé lugar a que tenga que absorber una corriente anormalmente alta, la herramienta se detendrá automáticamente y se visualizará el número de error correspondiente en el panel de visualización. En esta situación, apague la herramienta y detenga la aplicación que ocasiona la sobrecarga de la herramienta. Después encienda la herramienta para volver a empezar.

Protección contra el recalentamiento

Quando la herramienta o la batería se recalienta, la herramienta se detiene automáticamente y se visualiza el número de error correspondiente en el panel de visualización. En este caso, deje que la herramienta y la batería se enfríen antes de encender la herramienta otra vez.

Protección contra descarga excesiva

Quando la capacidad de batería no es suficiente, la herramienta se detiene automáticamente y se visualiza el número de error correspondiente en el panel de visualización. En este caso, retire la batería de la herramienta y cargue la batería.

Interruptor de alimentación principal

⚠️ PRECAUCIÓN: Cuando conecte la alimentación, no acerque nunca sus miembros o la cara a las partes de atadura o giratorias de la punta de la herramienta. De lo contrario, podrá herirse.

⚠️ PRECAUCIÓN: Cuando la alimentación esté conectada, no toque nunca las partes de atadura o giratorias de la punta de la herramienta. De lo contrario, podrá herirse.

⚠️ PRECAUCIÓN: Antes de insertar el cartucho de batería, asegúrese de liberar los dedos del gatillo interruptor y bloquear el gatillo. Si inserta el cartucho de batería mientras el gatillo interruptor está siendo apretado, podrá ocasionar un accidente si el proceso de amarrar con alambre se realiza accidentalmente.

► Fig.3

Quando presione el botón de alimentación, la alimentación se conectará y la lámpara de modo de amarrar se iluminará. Para que la herramienta ajuste su posición de inicio, debe funcionar temporalmente. Cuando se completa el ajuste, la herramienta se detiene automáticamente. Cuando presione el botón de alimentación otra vez, la alimentación se desconectará y la lámpara de modo de amarrar se apagará.

► Fig.4: 1. Lámpara de modo de amarrar 2. Botón de alimentación

NOTA: La herramienta tiene una función de desconexión automática de la alimentación. Si transcurren 10 minutos sin haber apretado el gatillo interruptor, la herramienta se apaga automáticamente para reducir el consumo de energía de la batería.

NOTA: Para volver a poner en marcha la herramienta, conecte la alimentación otra vez.


Botón de cambio de modo

Quando la alimentación está conectada y la lámpara de modo de amarrar está encendida, puede seleccionar el modo de accionamiento sencillo o el modo de accionamiento continuo por medio del botón de cambio de modo. Cuando conecte la alimentación otra vez, la herramienta se pondrá en marcha en el modo que fue seleccionado más recientemente.

► Fig.5: 1. Botón de cambio de modo 2. Modo de accionamiento sencillo 3. Modo de accionamiento continuo

Accionamiento del interruptor

⚠ADVERTENCIA: Antes de insertar el cartucho de batería en la herramienta, compruebe siempre para cerciorarse de que el gatillo interruptor se acciona debidamente y que vuelve a la posición "OFF" cuando lo suelta.

⚠PRECAUCIÓN: Cuando no esté utilizando la herramienta, presione hacia dentro el botón de bloqueo del gatillo desde el lado  para bloquear el gatillo interruptor en la posición apagada.

► **Fig. 6:** 1. Gatillo interruptor 2. Botón de bloqueo del gatillo

Para evitar que el gatillo interruptor pueda ser apretado accidentalmente, se ha provisto el botón de bloqueo del gatillo. Para poner en marcha la herramienta, presione hacia dentro el botón de bloqueo del gatillo desde el lado A y apriete el gatillo interruptor. Suelte el gatillo interruptor para parar. Después de utilizar, presione hacia dentro el botón de bloqueo del gatillo desde el lado B.

Cuando apriete el gatillo interruptor, la herramienta realizará las operaciones consecutivas siguientes como sigue, y la herramienta se detendrá automáticamente.

1. Alimentar el alambre.
2. Cortar el alambre.
3. El gancho sujeta y retuerce el alambre.
4. El gancho retorna a la posición original.

Ajuste de la fuerza de amarre

⚠PRECAUCIÓN: Asegúrese de bloquear el gatillo antes de comenzar a hacer el ajuste. Cuando conecte la alimentación, no acerque nunca sus miembros o la cara a las partes de atadura o giratorias de la punta de la herramienta. De lo contrario, podrá herirse.

► **Fig. 7**

Puede establecer la fuerza de amarre ajustando el botón de ajuste de fuerza de amarre. La fuerza de amarre se muestra en el panel de visualización.

► **Fig. 8:** 1. Botón de ajuste de fuerza de amarre
2. Panel de visualización

Si el alambre se rompe, la fuerza de amarre se perderá. Después de amarrar, compruebe la porción retorcida por si el alambre está roto.

Si el alambre está roto, ajuste la fuerza de amarre utilizando el botón de ajuste de fuerza de amarre, y amarre las varillas otra vez.

Aviso de batería restante

Cuando la tensión de la batería caiga por debajo del nivel requerido, la herramienta dejará de funcionar, sonará un tono de error, y el número "4" aparecerá en el panel de visualización. El tono de error continuará sonando hasta que se desconecte la alimentación.

NOTA: Si la temperatura ambiente es extremadamente baja, el tono de error podrá sonar aun cuando la batería contenga suficiente energía.

MONTAJE

⚠PRECAUCIÓN: Asegúrese siempre de que la herramienta está apagada y el cartucho de batería retirado antes de realizar cualquier trabajo en la herramienta.

Carga del alambre de amarre (carrete de alambre)

⚠PRECAUCIÓN: Antes de montar o desmontar el alambre de amarre y los accesorios, asegúrese de desconectar la alimentación, bloquear el gatillo, y retirar el cartucho de batería. En caso contrario podrá ocasionar un accidente.

AVISO: La utilización de alambre distinto del alambre de amarre genuino de Makita (alambre templado) puede ocasionar un mal funcionamiento de la herramienta.

1. Presione la palanca de liberación, y bloquéela con la palanca de bloqueo.

► **Fig. 9:** 1. Palanca de liberación 2. Palanca de bloqueo

Cuando se presiona la palanca de liberación, se crea un espacio entre los engranajes de alimentación izquierdo y derecho.

► **Fig. 10:** 1. Palanca de liberación 2. Palanca de bloqueo 3. Engranajes de alimentación

2. Desprenda la cinta que sujeta el alambre, y extraiga la punta del alambre.

► **Fig. 11:** 1. Cinta 2. Punta del alambre

3. Abra la cubierta del carrete.

► **Fig. 12:** 1. Cubierta del carrete

4. Monte el carrete de alambre en la herramienta en la orientación mostrada en la figura.

► **Fig. 13:** 1. Carrete de alambre

AVISO: Asegúrese de montar el carrete de alambre en la orientación mostrada en la figura.

Si se monta al revés, el alambre se soltará y podrá retorcerse.

5. Enderece la punta del alambre, y pase el alambre a través de la guía.

► **Fig. 14:** 1. Guía

NOTA: Si la punta del alambre está torcida cuando se pasa a través de la guía, el alambre podrá atascarse en la herramienta.

NOTA: Si fuerza el alambre cuando intenta pasarlo a través de la guía, el alambre podrá atascarse.

6. Extraiga el alambre aproximadamente 10 mm desde la punta del brazo.

► **Fig. 15:** 1. Brazo 2. Aproximadamente 10 mm

AVISO: Si la longitud del alambre extraído es insuficiente, el alambre podrá romperse cuando se amarre, o la fuerza de amarre podrá verse comprometida debido a un insuficiente enrollamiento.

7. Retire la cinta que sujeta el alambre.
▶ **Fig.16**
8. Rebobine el alambre para eliminar su holgura.
▶ **Fig.17**
9. Libere la palanca de bloqueo. La palanca de liberación retorna, y los engranajes izquierdo y derecho sujetan el alambre.
▶ **Fig.18:** 1. Palanca de liberación 2. Palanca de bloqueo
▶ **Fig.19:** 1. Engranaje 2. Ruta del alambre
3. Alambre

AVISO: Cuando se libera la palanca de bloqueo y cuando los engranajes izquierdo y derecho engranan entre sí, las ranuras en los engranajes forman un espacio. Este espacio se convierte en la ruta para el alambre. Asegúrese de que el alambre pasa a través de esta ruta.

10. Cierre la cubierta del carrete.
▶ **Fig.20:** 1. Cubierta del carrete

OPERACIÓN

Comprobación antes del trabajo

PRECAUCIÓN: Si la herramienta tiene un problema relacionado con el mecanismo de seguridad, no la utilice. Si continúa utilizándola, podrá producirse un accidente.

Antes de utilizar la herramienta, asegúrese de que el mecanismo de seguridad funciona con normalidad. Si la herramienta funciona sin que funcione el mecanismo de seguridad, deje de utilizar la herramienta inmediatamente. Pida a su centro de servicio local de Makita que le hagan las reparaciones.

Comprobación del bloqueo del gatillo

La herramienta tiene el bloqueo del gatillo para evitar que la herramienta funcione cuando no se tiene intención de utilizarla. Bloquee el gatillo y confirme que el gatillo interruptor no se puede apretar.

Comprobación de la guía de rizo

Para evitar que el operario toque las partes de atadura o giratorias de la punta de la herramienta por error, la herramienta no funcionará aunque se apriete el gatillo interruptor mientras la guía de rizo esté abierta. Cuando el operario libera el dedo del gatillo interruptor y cierra la guía de rizo, la herramienta se puede operar.

- ▶ **Fig.21:** 1. Guía de rizo

Comprobación para la detección de apertura/cierre de la guía de rizo

Retire el alambre de amarre, compruebe la operación de la herramienta de acuerdo con los pasos siguientes, y asegúrese de que la herramienta no se pone en marcha si la guía de rizo está abierta.

1. Desconecte la alimentación, y deje la guía de rizo abierta.

2. Conecte la alimentación.

Si la herramienta no funciona y si el valor "2" se muestra en el panel de visualización, el estado de la herramienta es normal. Desconecte la alimentación, y cierre la guía de rizo.

Si la herramienta funciona y si no se muestra error en el panel de visualización, el estado de la herramienta es anormal. Deje de utilizar la herramienta inmediatamente, y pida a su centro de servicio local de Makita que le hagan las reparaciones.

PRECAUCIÓN: Si abre la guía de rizo y conecta la alimentación para comprobar el bloqueo de seguridad, sujete la guía de rizo como se muestra en la figura. No acerque nunca sus miembros o la cara a las partes de atadura o giratorias de la punta de la herramienta. De lo contrario, podrá herirse.

- ▶ **Fig.22**

Trabajo de amarre

PRECAUCIÓN: Antes de insertar el cartucho de batería, asegúrese de liberar los dedos del gatillo interruptor y bloquee el gatillo. Si inserta el cartucho de batería mientras el gatillo interruptor está siendo apretado, podrá ocasionar un accidente si el proceso de amarre con alambre se realiza accidentalmente.

PRECAUCIÓN: Cuando conecte la alimentación, no acerque nunca sus miembros o la cara a las partes de atadura o giratorias de la punta de la herramienta. De lo contrario, podrá herirse.

PRECAUCIÓN: Cuando la alimentación esté conectada, no toque nunca las partes de atadura o giratorias de la punta de la herramienta. De lo contrario, podrá herirse.

- ▶ **Fig.23**

Preparación antes del trabajo

1. Asegúrese de que el cartucho de batería ha sido retirado y el gatillo está bloqueado.
2. Inserte el cartucho de batería en la herramienta, y conecte la alimentación. Cuando conecte la alimentación, el alambre será cortado automáticamente.

AVISO: Asegúrese de que la lámpara de modo de amarre se ilumina cuando se conecta la alimentación. Si no se ilumina, recargue la batería.

3. Libere el bloqueo del gatillo.

- ▶ **Fig.24:** 1. Botón de bloqueo del gatillo 2. Gatillo interruptor 3. Botón de alimentación
4. Lámpara de modo de amarre

Modo de accionamiento sencillo

1. Presione el brazo firmemente contra el punto de amarre. Presione la herramienta verticalmente contra las varillas, y presione el brazo a un ángulo de 45 grados contra el punto donde las varillas se cruzan.

- ▶ **Fig.25**

2. Apriete el gatillo interruptor una vez.

3. El alambre se alimenta y corta automáticamente.
4. El gancho sujeta y retuerce el alambre, después retorna a la posición original una vez que las varillas han sido amarradas.
▶ Fig.26
5. Después de amarrar, tenga cuidado de no enganchar el brazo en las varillas y levante la herramienta.

⚠PRECAUCIÓN: Si el alambre se ha aferrado a la parte de atadura de la punta de la herramienta, desconecte la alimentación de la herramienta. Bloquee el gatillo, retire el cartucho de batería, y retire el alambre utilizando utensilios como tenazas o alicates.

▶ Fig.27

Modo de accionamiento continuo

1. Cambie el modo de la herramienta del modo de accionamiento sencillo al modo de accionamiento continuo utilizando el botón de cambio de modo.
▶ Fig.28: 1. Botón de cambio de modo
2. Libere el bloqueo del gatillo.
3. Mientras aprieta el gatillo interruptor, presione la herramienta verticalmente contra las varillas, y presione el brazo a un ángulo de 45 grados contra el punto donde las varillas se cruzan. Presione la placa de contacto firmemente contra el punto de amarre. Las varillas serán amarradas.
▶ Fig.29: 1. Placa de contacto
4. Después de amarrar, tenga cuidado de no enganchar el brazo en las varillas y levante la herramienta.
▶ Fig.30

Precauciones sobre el trabajo

- Si mueve el brazo de la posición de amarre durante el proceso de amarre con alambre, el alambre se atascará en el gancho, lo que podrá resultar en un amarre incorrecto.
- Siga presionando la herramienta contra las varillas hasta que el proceso de amarre con alambre esté completo.
- No se mueva al siguiente punto de amarre hasta que el proceso de amarre con alambre actual esté completo.
- La parte giratoria de la punta de la herramienta (gancho) retuerce el alambre durante el proceso de amarre con alambre. Sujete la empuñadura firmemente de forma que la herramienta no tire de su cuerpo.
- No toque el alambre durante el proceso de amarre con alambre.
- Si está repitiendo el proceso de amarre con alambre en el modo de accionamiento sencillo, libere completamente el dedo del gatillo interruptor. Después, continúe accionando el gatillo interruptor.
- Si aprieta el gatillo interruptor cuando ya no quede alambre de amarre, se visualizará un error. Reemplácelo con un alambre de amarre nuevo y vuelva a poner en marcha la herramienta.

Consejos para el amarre

- Incline la herramienta a un ángulo de 45° con respecto de las varillas cruzadas, y amarre alternativamente como se muestra en la figura.
▶ Fig.31
- Evite las secciones abultadas de las varillas.
▶ Fig.32
- Si la fuerza de amarre es insuficiente, cambie la orientación de amarre y realice el amarre dos veces a fin de aumentar la fuerza de amarre.
▶ Fig.33

AVISO: Cuando haga el segundo amarre, doble la cola del primer amarre antes de hacer el segundo amarre. De lo contrario, el alambre podrá ser repelido por segunda vez. Podrá aferrarse a la punta de la herramienta, y el gancho se podrá dañar.

Reemplazo del alambre de amarre

⚠PRECAUCIÓN: Cuando reemplace el alambre, asegúrese de desconectar la alimentación, bloquear el gatillo, y retirar el cartucho de batería. En caso contrario podrá ocasionar un accidente.

1. Cuando el alambre se acabe, sonará un tono de error y el error "1" se visualizará.
2. Bloquee el gatillo, desconecte la alimentación, y retire el cartucho de batería.
3. Presione la palanca de liberación, y bloquéela con la palanca de bloqueo.
▶ Fig.34: 1. Palanca de liberación 2. Palanca de bloqueo
4. Retire el carrete de alambre de la herramienta.

NOTA: Cuando el alambre se haya acabado de forma normal, aún quedarán enrollados aproximadamente 20 cm de alambre en el carrete. En este estado, reemplace el carrete de alambre con uno nuevo.

Si resulta difícil retirar el carrete de alambre de la herramienta, siga los pasos de abajo.

1. Inserte el cartucho de batería en la herramienta, y conecte la alimentación. La herramienta alimenta alambre y lo corta automáticamente.
2. Bloquee el gatillo, desconecte la alimentación, y retire el cartucho de batería.
3. Retire los fragmentos de alambre utilizando utensilios como tenazas o alicates.

MANTENIMIENTO

⚠PRECAUCIÓN: Asegúrese siempre de que la herramienta está apagada y de que el cartucho de batería está retirado antes de intentar hacer una inspección o mantenimiento.

AVISO: No utilice nunca gasolina, bencina, disolvente, alcohol o similares. Podría producir descoloración, deformación o grietas.

Para mantener la SEGURIDAD y FIABILIDAD del producto, las reparaciones, y cualquier otra tarea de mantenimiento o ajuste deberán ser realizadas en centros de servicio o de fábrica autorizados por Makita, empleando siempre repuestos Makita.

Para guardar la llave hexagonal

Guarde la llave hexagonal en la posición mostrada en la figura.

► **Fig.35:** 1. Llave hexagonal

Limpeza del cortador

Cuando la herramienta se utilice durante un periodo de tiempo largo, es posible que se adhieran polvo y partículas de alambre en la sección del cortador. En tal caso, desmonte y limpie el cortador de acuerdo con el procedimiento siguiente. Si un alambre se engancha en la sección del cortador, el alambre podrá ser retirado siguiendo el mismo procedimiento.

Desmontaje y limpieza

1. Afloje los pernos A y B utilizando la llave hexagonal incluida en el paquete de herramientas.

► **Fig.36:** 1. Perno A 2. Perno B 3. Cubierta de la placa de contacto 4. Guía de alambre B

AVISO: No retire a la fuerza ningún perno que no pueda ser retirado utilizando la llave hexagonal.

2. Levante la cubierta de la placa de contacto en la dirección de la flecha y retírela. El perno B se retirará al mismo tiempo.

► **Fig.37:** 1. Cubierta de la placa de contacto
2. Perno B

3. Retire el perno A, y retire la guía de alambre B.

► **Fig.38:** 1. Perno A 2. Guía de alambre B

4. Dé la vuelta a la guía de alambre B y limpie su interior.

► **Fig.39**

5. Retire el cortador A, cortador B, placa superior, y brazo de articulación A de la placa de brazo A. Después, límpielos.

► **Fig.40:** 1. Cortador B 2. Brazo de articulación A
3. Cortador A 4. Placa de brazo A 5. Placa superior

Montaje

Cuando haya terminado de limpiar, monte las partes de acuerdo con el procedimiento siguiente.

1. Instale el cortador A y brazo de articulación A encajándolos en la forma de la placa de brazo A.

► **Fig.41:** 1. Cortador A 2. Brazo de articulación A
3. Placa de brazo A

2. Instale el cortador B y la placa superior en la placa de brazo A.

(Instale el cortador B en el cortador A y brazo de articulación A).

► **Fig.42:** 1. Cortador B 2. Placa superior 3. Placa de brazo A 4. Cortador A 5. Brazo de articulación A

AVISO: Oriente la proyección del cortador B hacia abajo, e instale el cortador como se muestra en la figura.

3. Alinee el tubo de la herramienta con la ranura dentro de la guía de alambre B, y móntelos.

► **Fig.43:** 1. Tubo 2. Ranura 3. Guía de alambre B

4. Fije la guía de alambre B apretando temporalmente el perno A.

► **Fig.44:** 1. Perno A 2. Guía de alambre B

5. Instale la cubierta de la placa de contacto en la dirección de la flecha.

► **Fig.45:** 1. Cubierta de la placa de contacto

6. Fije la guía de alambre B y la cubierta de la placa de contacto firmemente apretando el perno A y el perno B.

► **Fig.46:** 1. Guía de alambre B 2. Cubierta de la placa de contacto 3. Perno A 4. Perno B

7. Después del montaje, confirme que la placa de contacto se puede mover como se muestra en la figura.

► **Fig.47:** 1. Placa de contacto

NOTA: Si la placa de contacto se engancha, presiónela como se muestra en la figura.

► **Fig.48**

Visualización de error y tono de error

⚠️ PRECAUCIÓN: Durante la inspección, asegúrese de bloquear el gatillo, desconectar la alimentación, y retirar el cartucho de batería. En caso contrario podrá ocasionar un accidente.

⚠️ PRECAUCIÓN: Cuando conecte la alimentación, no acerque nunca sus miembros o la cara a las partes de atadura o giratorias de la punta de la herramienta. De lo contrario, podrá herirse.

⚠️ PRECAUCIÓN: Cuando la alimentación esté conectada, no toque nunca las partes de atadura o giratorias de la punta de la herramienta. De lo contrario, podrá herirse.

⚠️ PRECAUCIÓN: Si suena un tono de error, o si la herramienta funciona mal, deje de utilizar la herramienta inmediatamente.

Tono y visualización de error

Si ocurre un error, sonará un tono de error, y se mostrará un número de error en el panel de visualización. Consulte la tabla siguiente y tome medidas apropiadas. Si el error persiste, pida al centro de servicio autorizado de Makita que le hagan las reparaciones.

Visualización	Síntoma	Causa posible	Solución
1	La herramienta deja de funcionar.	El alambre se ha agotado.	Cargue alambre de amarre nuevo.
		No hay cargado alambre de amarre.	Cargue alambre de amarre.
		La alimentación de alambre ha fallado.	Compruebe la orientación del alambre de amarre. Descargue el alambre de amarre, y cárguelo otra vez. Limpie la ruta del alambre.
2	La herramienta deja de funcionar.	La guía de rizo está abierta.	Cierre la guía de rizo.
3	La herramienta no realiza el proceso de amarre en modo de accionamiento continuo.	La placa de contacto está enganchada.	Libere la placa de contacto de donde está enganchada.
4	La herramienta no se pone en marcha. La herramienta deja de funcionar.	La batería se ha descargado. La temperatura del cartucho de batería es anormalmente alta.	Recargue la batería. Enfríe el cartucho de batería. Reemplace el cartucho de batería con uno recargado.
5	La herramienta deja de funcionar.	El motor está sobrecargado.	Determine la causa de la obstrucción del giro del motor y resuelva el problema.
		Fallo del motor	
6	La herramienta deja de funcionar.	La temperatura de la herramienta es anormalmente alta.	Enfríe la herramienta.
7	La herramienta no se pone en marcha. La herramienta deja de funcionar.	Fallo de la herramienta	Pida al centro de servicio autorizado de Makita que le hagan las reparaciones.

ACCESORIOS OPCIONALES

⚠️ PRECAUCIÓN: Estos accesorios o aditamentos están recomendados para su uso con la herramienta Makita especificada en este manual.

El uso de cualquier otro accesorio o aditamento puede suponer un riesgo de heridas personales. Utilice el accesorio o aditamento solamente con la finalidad indicada para el mismo.

NOTA: Algunos elementos de la lista podrán estar incluidos en el paquete de la herramienta como accesorios estándar. Pueden variar de un país a otro.

Si necesita cualquier ayuda para más detalles en relación con estos accesorios, pregunte al centro de servicio Makita local.

- Alambre de amarre
- Batería y cargador genuinos de Makita

ESPECIFICAÇÕES

Modelo:	DTR180
Fio de amarrar (acessório opcional)	ø0,8 mm
Diâmetro de vergalhões que podem ser amarrados	De #3 x #3 até (#4 x 2) x (#4 x 2) De 10 mm x 10 mm até (13 mm x 2) x (13 mm x 2)
Número aproximado de amarrações por bobina	Aproximadamente 120 amarrações
Comprimento geral	304 mm
Voltagem nominal	CC 14,4/18 V
Peso líquido	2,3 - 2,6 kg

- Devido a um programa contínuo de pesquisa e desenvolvimento, estas especificações estão sujeitas a alteração sem aviso prévio.
- As especificações e a bateria podem variar de país para país.
- O peso poderá diferir em função do acessório(s), incluindo a bateria. A combinação mais leve e mais pesada, de acordo com o Procedimento EPTA 01/2014, é apresentada na tabela.

Bateria e carregador aplicável

Bateria	Modelo CC14,4 V	BL1415N / BL1430 / BL1430B / BL1440 / BL1450 / BL1460B
	Modelo CC18 V	BL1815N / BL1820 / BL1820B / BL1830 / BL1830B / BL1840 / BL1840B / BL1850 / BL1850B / BL1860B
Carregador	DC18RC / DC18RD / DC18RE / DC18SD / DC18SE / DC18SF	

- Algumas das baterias e carregadores listados acima poderão não estar disponíveis, dependendo da sua região de residência.

AVISO: Utilize apenas as baterias e carregadores listados acima. A utilização de quaisquer outras baterias e carregadores pode causar ferimentos e/ou um incêndio.

Combinação de vergalhões que podem ser amarrados

Combinação de 2 vergalhões

	#3 (10 mm)	#4 (13 mm)	#5 (16 mm)
#3 (10 mm)	✓	✓	✓
#4 (13 mm)	✓	✓	✓
#5 (16 mm)	✓	✓	✓

Combinação de 3 vergalhões

	#3 x #3 (10 mm x 10 mm)	#4 x #4 (13 mm x 13 mm)
#3 (10 mm)	✓	✓
#4 (13 mm)	✓	✓
#5 (16 mm)	✓	-

Combinação de 4 vergalhões

	#3 x #3 (10 mm x 10 mm)	#4 x #4 (13 mm x 13 mm)
#3 x #3 (10 mm x 10 mm)	✓	✓
#4 x #4 (13 mm x 13 mm)	✓	✓

OBSERVAÇÃO: Se existir um intervalo entre os vergalhões ou se a ferramenta for utilizada numa orientação incorreta, os vergalhões podem não ficar aptos para serem amarrados.

Símbolos

A seguir são apresentados os símbolos utilizados para o equipamento. Certifique-se de que compreende o seu significado antes de utilizar o equipamento.



Leia o manual de instruções.



Use óculos de segurança.



Não exponha à chuva.



Mantenha as mãos afastadas da bobina de fio ou do fio quando utilizar a ferramenta.



Mantenha as mãos afastadas da ponta da ferramenta.



Ni-MH
Li-Ion

Apenas para países da UE
Não elimine equipamentos elétricos ou baterias juntamente com o material residual doméstico!
Em cumprimento com as Diretivas Europeias relativas aos resíduos de equipamentos elétricos e eletrónicos e pilhas e acumuladores e baterias e acumuladores e resíduos de pilhas e acumuladores e a sua implementação de acordo com as leis nacionais, o equipamento elétrico e as baterias e pacote(s) de bateria(s) que atingiram o fim de vida têm de ser recolhidos separadamente e devolvidos a instalações de reciclagem compatíveis a nível ambiental.

Utilização prevista

A ferramenta serve para amarrar vergalhões.

Ruído

A característica do nível de ruído A determinado de acordo com a EN60745-2-18 (EN12549):
Nível de pressão acústica (L_{pA}): 78 dB (A)
Variabilidade (K): 3 dB (A)

O nível de ruído durante o funcionamento pode exceder 80 dB (A).

AVISO: Utilize protetores auriculares.

Vibração

Valor total da vibração (soma vetorial tri-axial) determinado de acordo com a EN60745-2-18 (ISO8662-11):
Modo de trabalho: Amarração da haste de metal
Emissão de vibração (a_{h1}): 2,5 m/s² ou menos
Variabilidade (K): 1,5 m/s²

NOTA: O valor da emissão de vibração indicado foi medido de acordo com o método de teste padrão e pode ser utilizado para comparar duas ferramentas.

NOTA: O valor da emissão de vibração indicado pode também ser utilizado na avaliação preliminar da exposição.

AVISO: A emissão de vibração durante a utilização real da ferramenta elétrica pode diferir do valor de emissão indicado, dependendo das formas como a ferramenta é utilizada.

AVISO: Certifique-se de identificar as medidas de segurança para proteção do operador que sejam baseadas em uma estimativa de exposição em condições reais de utilização (considerando todas as partes do ciclo de operação, tal como quando a ferramenta está desligada e quando está a funcionar em marcha lenta além do tempo de acionamento).

Declaração de conformidade da CE

Apenas para os países europeus

A declaração de conformidade da CE está incluída como Anexo A neste manual de instruções.

AVISOS DE SEGURANÇA

Avisos gerais de segurança para ferramentas elétricas

AVISO: Leia todos os avisos de segurança, instruções, ilustrações e especificações fornecidos com esta ferramenta elétrica. O não cumprimento de todas as instruções indicadas em baixo pode resultar em choque elétrico, incêndio e/ou ferimentos graves.

Guarde todos os avisos e instruções para futuras referências.

O termo "ferramenta elétrica" nos avisos refere-se às ferramentas elétricas ligadas à corrente elétrica (com cabo) ou às ferramentas elétricas operadas por meio de bateria (sem cabo).

Avisos de segurança para a amarradora de vergalhão a bateria

- Nunca aponte a ferramenta na direção de uma pessoa. Nunca aproxime as mãos ou os pés da ponta da ferramenta.** Se utilizar a ferramenta acidentalmente enquanto esta estiver encostada em alguém, pode causar um acidente imprevisito.
- Não carregue fio enquanto a alimentação para a ferramenta estiver ligada.** Caso contrário, pode ficar preso no fio e sofrer ferimentos.
- Não utilize a ferramenta sem fechar a tampa da bobina.** Caso contrário, a bobina de fio pode sair e causar um acidente.
- Assegure que verifica se os diâmetros dos vergalhões a amarrar estão dentro da capacidade da ferramenta antes de iniciar o trabalho.**

5. Use vestuário que possui bainhas e mangas justas. Não trabalhe com uma toalha ou outro objeto enrolado ao pescoço. Caso contrário, podem ficar presos na peça rotativa e causar um acidente.
6. Certifique-se de que inspeciona os pontos seguintes antes de utilizar a ferramenta.
 - Verifique se não existem peças danificadas.
 - Verifique se não existem pernos soltos.
 - Verifique se os dispositivos de segurança estão a funcionar corretamente.
7. Caso detete alguma anomalia, interrompa a utilização da ferramenta imediatamente. Não repare a ferramenta por sua conta. Peça a reparação no centro de assistência Makita local. Se a ferramenta for utilizada num estado incompleto, pode ocorrer um acidente.
8. Quando instalar a bateria, certifique-se de que bloqueia o gatilho e não coloque o dedo no gatilho. O funcionamento incorreto pode causar um acidente.
9. Quando amarrar os vergalhões, tenha cuidado para não movê-los. Se os vergalhões se moverem devido à amarração, pode sofrer lesões.
10. Não toque nos fios durante o processo de amarração do fio. Caso contrário, pode ficar preso no fio e sofrer ferimentos.
11. Não aproxime as mãos ao ponto de amarração durante o processo de amarração do fio. Caso contrário, pode ficar preso no fio e sofrer ferimentos.
12. Segure o punho da ferramenta firmemente durante o processo de amarração do fio. Caso contrário, pode torcer o pulso ou o seu corpo pode ser puxado, o que pode resultar em ferimentos.
13. Não avance até ao ponto de amarração seguinte até o processo de amarração do fio atual estar concluído. Caso contrário, pode sofrer ferimentos.
14. Preste atenção à extremidade do fio durante o processo de amarração do fio. Caso contrário, a sua mão pode ficar presa na extremidade do fio e sofrer ferimentos.
15. Não toque na placa de contacto durante o processo de amarração do fio. Se tiver de tocar na placa de contacto, certifique-se de que bloqueia o gatilho ou desliga o interruptor de alimentação e remove a bateria. Caso contrário, pode sofrer ferimentos.
16. Quando tiver concluído o processo de amarração do fio, puxe a ferramenta para cima na vertical. Caso contrário, o braço pode ficar preso nos vergalhões, podendo causar um acidente.
17. Tenha cuidado para não deixar cair, chocar ou bater na ferramenta. Se aplicar um forte impacto antes de utilizar a ferramenta, certifique-se de que a ferramenta não está danificada ou fissurada e que os dispositivos de segurança funcionam normalmente. Caso contrário, pode ocorrer um acidente.
18. Se ocorrer qualquer um dos fenómenos seguintes, bloqueie o gatilho, desligue o interruptor de alimentação e remova a bateria da ferramenta. Se a ferramenta funcionar incorretamente, pode ocorrer um acidente.
 - Se ouvir um som operacional logo que a bateria for instalada.
 - Se forem detetados sobreaquecimento ou odores ou ruídos anormais.
 - Quando estiver a adotar medidas em resposta ao visor de erro. (Peça eventuais reparações no centro de assistência Makita local.)
 - Quando carregar ou descarregar uma bobina de fio.
 - Quando se mover enquanto segura a ferramenta durante o trabalho.
 - Quando não utilizar a ferramenta.
 - Quando inspecionar ou ajustar a ferramenta.
 - Quando remover um fio emperrado.
19. Quando trabalhar em andaimes, estabilize-os sempre e trabalhe utilizando uma postura que assegure que mantém o seu equilíbrio. Se os andaimes forem instáveis, pode ocorrer um acidente.
20. Quando trabalhar num telhado ou locais similares, mova-se numa direção de avanço durante o trabalho, de modo a poder ver para onde se dirige. Caso se mova numa direção de recuo durante o trabalho, pode perder a sua base segura e causar um acidente.
21. Se estiver a trabalhar num local altamente elevado, assegure que ninguém se encontra abaixo de si e preste atenção para assegurar que não deixa cair ferramentas enquanto estiver a trabalhar. Se deixar cair a ferramenta pode causar um acidente.
22. Não utilize a ferramenta para realizar qualquer trabalho além da amarração de fios. Caso contrário, pode ocorrer um acidente.
23. Utilize sempre fios originais da Makita. Se os fios não forem utilizados por um período prolongado podem enferrujar. Não utilize fios enferrujados. Caso contrário, podem causar um acidente.
24. Após a amarração, verifique eventuais ruturas do fio devido a torção excessiva. Se houver fios rompidos, a resistência da amarração perder-se-á. Ajuste a resistência da amarração e amarre os vergalhões novamente.
25. Coloque o braço firmemente contra os vergalhões. Se não estiver firmemente posicionado, criar-se-á uma folga entre os vergalhões e a resistência da amarração é comprometida.

Instruções de segurança importantes para a bateria

1. Antes de utilizar a bateria, leia todas as instruções e etiquetas de precaução no (1) carregador de bateria (2) bateria e (3) produto que utiliza a bateria.
2. Não abra a bateria.
3. Se o tempo de funcionamento se tornar excessivamente curto, pare o funcionamento imediatamente. Pode resultar em sobreaquecimento, possíveis queimaduras e mesmo explosão.
4. Se entrar eletrólito nos seus olhos, lave-os com água e consulte imediatamente um médico. Pode resultar em perda de visão.

5. Não coloque a bateria em curto-circuito:
 - (1) Não toque nos terminais com qualquer material condutor.
 - (2) Evite guardar a bateria juntamente com outros objetos metálicos tais como pregos, moedas, etc.
 - (3) Não exponha a bateria à água ou chuva. Um curto-circuito pode ocasionar um enorme fluxo de corrente, sobreaquecimento, possíveis queimaduras e mesmo estragar-se.
6. Não guarde a ferramenta e a bateria em locais onde a temperatura pode atingir ou exceder 50°C.
7. Não queime a bateria mesmo que esteja estragada ou completamente gasta. A bateria pode explodir no fogo.
8. Tenha cuidado para não deixar cair ou dar pancadas na bateria.
9. Não utilize uma bateria danificada.
10. As baterias de íões de lítio contidas na ferramenta são sujeitas aos requisitos da DGL (Dangerous Goods Legislation - Legislação de bens perigosos).

Para o transporte comercial, por exemplo, por terceiros ou agentes de expedição, têm de ser observados os requisitos referentes à embalagem e etiquetagem.

Para preparação do artigo a ser expedido, é necessário consultar um perito em materiais perigosos. Tenha ainda em conta a possibilidade de existirem regulamentos nacionais mais detalhados. Coloque fita-cola ou tape os contactos abertos e embale a bateria de tal forma que não possa mover-se dentro da embalagem.
11. Siga os regulamentos locais relacionados com a eliminação de baterias.
12. Utilize as baterias apenas com os produtos especificados pela Makita. Instalar as baterias em produtos não-conformes poderá resultar num incêndio, calor excessivo, explosão ou fuga de eletrólito.

GUARDE ESTAS INSTRUÇÕES.

⚠️PRECAUÇÃO: Utilize apenas baterias genuínas da Makita. A utilização de baterias não genuínas da Makita ou de baterias que foram alteradas, pode resultar no rebentamento da bateria provocando incêndios, ferimentos pessoais e danos. Além disso, anulará da garantia da Makita no que se refere à ferramenta e ao carregador Makita.

Conselhos para manter a máxima vida útil da bateria

1. Carregue a bateria antes que esteja completamente descarregada. Pare sempre o funcionamento da ferramenta e carregue a bateria quando notar menos poder na ferramenta.
2. Nunca carregue uma bateria completamente carregada. Carregamento excessivo diminui a vida útil da bateria.
3. Carregue a bateria à temperatura ambiente de 10°C – 40°C. Deixe que uma bateria quente arrefeça antes de a carregar.
4. Carregue a bateria se não a utilizar durante um longo período de tempo (mais de seis meses).

DESCRIÇÃO FUNCIONAL

⚠️PRECAUÇÃO: Certifique-se sempre de que a ferramenta está desligada e a bateria foi retirada antes de regular ou verificar qualquer função na ferramenta.

Instalação ou remoção da bateria

⚠️PRECAUÇÃO: Desligue sempre a ferramenta antes de colocar ou retirar a bateria.

⚠️PRECAUÇÃO: Segure firmemente a ferramenta e a bateria quando instalar ou remover a bateria. Se não segurar firmemente a ferramenta e a bateria pode fazer com que escorreguem das suas mãos resultando em danos na ferramenta e na bateria e ferimentos pessoais.

► Fig.1: 1. Indicador vermelho 2. Botão 3. Bateria

Para retirar a bateria, deslize-a para fora da ferramenta enquanto desliza o botão na frente da bateria.

Para instalar a bateria, alinhe a lingueta da bateria com a ranhura no compartimento e deslize-a no lugar. Empurre-a até o fim para que a mesma encaixe no lugar com um clique. Se puder ver a parte vermelha no lado superior do botão, significa que não está completamente bloqueada.

⚠️PRECAUÇÃO: Instale sempre a bateria até ao fim, até deixar de ver o indicador vermelho. Caso contrário, a bateria poderá cair da ferramenta acidentalmente e provocar ferimentos em si mesmo ou em alguém próximo.

⚠️PRECAUÇÃO: Não instale a bateria à força. Se a bateria não deslizar facilmente é porque não foi colocada corretamente.

Indicação da capacidade restante da bateria

Apenas para baterias com indicador

► Fig.2: 1. Luzes indicadoras 2. Botão de verificação

Prima o botão de verificação na bateria para indicar a capacidade restante da bateria. As luzes indicadoras acendem durante alguns segundos.

Luzes indicadoras			Capacidade restante
Aceso	Apagado	A piscar	
			75% a 100%
			50% a 75%
			25% a 50%
			0% a 25%
			Carregar a bateria.
			A bateria pode estar avariada.

NOTA: Dependendo das condições de utilização e da temperatura ambiente, a indicação pode ser ligeiramente diferente da capacidade real.

Sistema de proteção da ferramenta/bateria

A ferramenta está equipada com um sistema de proteção da ferramenta/bateria. Este sistema corta automaticamente a corrente para o motor para aumentar a vida da ferramenta e da bateria. A ferramenta para automaticamente durante o funcionamento se a ferramenta ou bateria for colocada mediante uma das seguintes condições:

Proteção contra sobrecarga

Quando a bateria for utilizada de tal forma que provoque uma corrente anormalmente elevada, a ferramenta para automaticamente e o número de erro correspondente é exibido no painel do visor. Nesta situação, desligue a ferramenta e pare a aplicação que causou a sobrecarga da ferramenta. Em seguida, ligue a ferramenta para reiniciar.

Proteção contra sobreaquecimento

Quando a ferramenta ou bateria estiver sobreaquecida, a ferramenta para automaticamente e o número de erro correspondente é exibido no painel do visor. Neste caso, deixe a ferramenta e a bateria arrefecerem antes de ligar novamente a ferramenta.

Proteção contra descarga excessiva

Quando a capacidade da bateria não for suficiente, a ferramenta para automaticamente e o número de erro correspondente é exibido no painel do visor. Neste caso, remova a bateria da ferramenta e carregue a bateria.

Interruptor de alimentação principal

⚠PRECAUÇÃO: Quando ligar a alimentação, nunca aproxime os membros ou rosto às peças de amarração ou rotativas da ponta da ferramenta. Caso contrário, pode sofrer ferimentos.

⚠PRECAUÇÃO: Quando a alimentação estiver ligada, nunca toque nas peças de amarração ou rotativas da ponta da ferramenta. Caso contrário, pode sofrer ferimentos.

⚠PRECAUÇÃO: Antes de inserir a bateria, certifique-se de soltar os dedos do gatilho do interruptor e bloqueia o gatilho. Se inserir a bateria enquanto estiver a puxar o gatilho do interruptor, pode causar um acidente se o processo de amarração do fio for realizado acidentalmente.

► Fig.3

Ao premir o botão de alimentação, a alimentação liga e a lâmpada do modo de amarração acende. A ferramenta opera temporariamente para ajustar a respetiva posição inicial. Quando o ajuste estiver concluído, a ferramenta para automaticamente. Ao premir o botão de alimentação novamente, a alimentação desliga e a lâmpada do modo de amarração apaga.

► Fig.4: 1. Lâmpada do modo de amarração 2. Botão de alimentação

NOTA: A ferramenta tem uma função de desligar automática. Se não puxar o gatilho do interruptor por 10 minutos, a ferramenta desliga automaticamente para reduzir o consumo de energia da bateria.

NOTA: Para reiniciar a ferramenta, ligue novamente o botão de alimentação.


Botão de mudança de modo

Quando ligar a alimentação e a lâmpada do modo de amarração estiver acesa, pode selecionar o modo de atuação individual ou o modo de atuação contínuo através do botão de mudança de modo. Quando liga a alimentação novamente, a ferramenta será iniciada no modo que foi selecionado mais recentemente.

► Fig.5: 1. Botão de mudança de modo 2. Modo de atuação individual 3. Modo de atuação contínuo

Ação do interruptor

⚠AVISO: Antes de colocar a bateria na ferramenta, verifique sempre se o gatilho do interruptor funciona corretamente e volta para a posição "OFF" quando libertado.

⚠PRECAUÇÃO: Quando não está a utilizar a ferramenta, prima o botão de bloqueio do gatilho  na parte lateral para bloquear o gatilho do interruptor na posição desligado.

► Fig.6: 1. Gatilho do interruptor 2. Botão de bloqueio do gatilho

Para evitar que o gatilho do interruptor seja puxado acidentalmente, existe um botão de bloqueio do gatilho. Para iniciar a ferramenta, prima o botão de bloqueio do gatilho no lado A e puxe o gatilho do interruptor. Solte o gatilho do interruptor para parar. Após a utilização, prima o botão de bloqueio do gatilho no lado B.

Ao puxar o gatilho do interruptor, a ferramenta realiza as operações sequenciais seguintes como se segue e para automaticamente.

1. Alimentar o fio.
2. Cortar o fio.
3. O gancho segura e torce o fio.
4. O gancho retorna à posição original.

Definição da resistência da amarração

⚠PRECAUÇÃO: Certifique-se de que bloqueia o gatilho antes de iniciar o ajuste. Quando ligar a alimentação, nunca aproxime os membros ou rosto às peças de amarração ou rotativas da ponta da ferramenta. Caso contrário, pode sofrer ferimentos.

► Fig.7

Pode definir a resistência da amarração ao ajustar o botão de ajuste da resistência da amarração. A resistência da amarração é apresentada no painel do visor.

► Fig.8: 1. Botão de ajuste da resistência da amarração 2. Painel do visor

Se o fio estiver rompido, a resistência da amarração perder-se-á. Após a amarração, verifique se a parte torcida está rompida.

Se o fio estiver rompido, ajuste a resistência da amarração utilizando o botão de ajuste da resistência da amarração e amarre os vergalhões novamente.

Notificação de capacidade restante da bateria

Quando a tensão da bateria cair abaixo do nível exigido, a ferramenta deixa de funcionar, soa um sinal de erro e o número "4" é exibido no painel do visor. O sinal de erro continua a soar até a alimentação ser desligada.

NOTA: Se a temperatura ambiente for extremamente baixa, o sinal de erro pode soar mesmo quando a bateria contiver alimentação suficiente.

MONTAGEM

⚠PRECAUÇÃO: Certifique-se sempre de que a ferramenta está desligada e a bateria retirada antes de executar qualquer trabalho na ferramenta.

Carregar o fio de amarrar (bobina de fio)

⚠PRECAUÇÃO: Antes de montar ou desmontar os fios de amarrar e os acessórios, certifique-se de que desliga a alimentação, bloqueia o gatilho e remove a bateria. Caso não o faça, pode causar um acidente.

OBSERVAÇÃO: O uso de fios distintos dos fios de amarrar originais da Makita (fios temperados) pode causar anomalias na ferramenta.

1. Empurre a alavanca de libertação e bloqueie-a com a alavanca de bloqueio.
▶ Fig.9: 1. Alavanca de libertação 2. Alavanca de bloqueio

Ao empurrar a alavanca de libertação, é criado um intervalo entre as engrenagens de alimentação esquerdas e direitas.

▶ Fig.10: 1. Alavanca de libertação 2. Alavanca de bloqueio 3. Engrenagens de alimentação

2. Descarne a fita que segura o fio e puxe a ponta do fio para fora.

▶ Fig.11: 1. Fita 2. Ponta do fio

3. Abra a tampa da bobina.

▶ Fig.12: 1. Tampa da bobina

4. Instale a bobina de fio na ferramenta na orientação ilustrada na figura.

▶ Fig.13: 1. Bobina de fio

OBSERVAÇÃO: Certifique-se de que instala a bobina de fio na orientação ilustrada na figura. Se for montada ao contrário, o fio é solto e pode ficar torcido.

5. Torne a ponta do fio reta e passe o fio através da guia.

▶ Fig.14: 1. Guia

NOTA: Se a ponta do fio estiver curva quando passar através da guia, o fio pode encravar na ferramenta.

NOTA: Se forçar o fio quando tentar passá-lo através da guia, o fio pode encravar.

6. Puxe o fio para fora aproximadamente 10 mm da ponta do braço.

▶ Fig.15: 1. Braço 2. Aproximadamente 10 mm

OBSERVAÇÃO: Se o comprimento do fio puxado para fora for insuficiente, o fio pode romper quando for amarrado ou a resistência da amarração pode ser comprometida devido a invólucros insuficientes.

7. Remova toda a fita que segura o fio.

▶ Fig.16

8. Rebobine o fio para eliminar a respetiva folga.

▶ Fig.17

9. Solte a alavanca de bloqueio. A alavanca de libertação retorna e o fio é seguro pelas engrenagens esquerdas e direitas.

▶ Fig.18: 1. Alavanca de libertação 2. Alavanca de bloqueio

▶ Fig.19: 1. Engrenagem 2. Percurso do fio 3. Fio

OBSERVAÇÃO: Quando a alavanca de bloqueio for solta e quando as engrenagens esquerdas e direitas se misturarem entre si, as ranhuras nas engrenagens formam um espaço. Este espaço torna-se o percurso para o fio. Assegure que passa o fio através deste percurso.

10. Feche a tampa da bobina.

▶ Fig.20: 1. Tampa da bobina

OPERAÇÃO

Verificação antes do trabalho

⚠PRECAUÇÃO: Se a ferramenta tiver um problema relacionado com um mecanismo de segurança, não a utilize. Se continuar a utilizá-la, pode ocorrer um acidente.

Antes de utilizar a ferramenta, certifique-se de que o mecanismo de segurança funciona normalmente. Se a ferramenta funcionar sem que o mecanismo de segurança esteja a funcionar, interrompa a utilização da ferramenta imediatamente. Peça a reparação no centro de assistência Makita local.

Verificação do bloqueio do gatilho

A ferramenta tem o bloqueio do gatilho para impedir o seu funcionamento quando não pretender utilizá-la. Bloqueie o gatilho e confirme que não é possível puxar o gatilho do interruptor.

Verificação da guia ondulada

Para impedir que o operador toque por engano nas peças de amarração ou rotativas da ponta da ferramenta, a ferramenta não funciona mesmo se puxar o gatilho do interruptor enquanto a guia ondulada estiver aberta. Quando o operador soltar o dedo do gatilho do interruptor e fechar a guia ondulada, a ferramenta pode funcionar.

▶ Fig.21: 1. Guia ondulada

Verificação da deteção de guia ondulada aberta/fechada

Remova o fio de amarrar, verifique o funcionamento da ferramenta de acordo com os passos seguintes e certifique-se de que a ferramenta não arranca se a guia ondulada estiver aberta.

1. Desligue a alimentação e deixe a guia ondulada aberta.
2. Ligue a alimentação.

Se a ferramenta não funcionar e se o valor "2" for apresentado no painel do visor, o estado da ferramenta é normal. Desligue a alimentação e feche a guia ondulada.

Se a ferramenta funcionar e se não for apresentado qualquer erro no painel do visor, o estado da ferramenta é anormal. Pare imediatamente a utilização da ferramenta e peça eventuais reparações no centro de assistência Makita local.

⚠️ PRECAUÇÃO: Se abrir a guia ondulada e ligar a alimentação para verificar a interligação, segure a guia ondulada conforme apresentado na figura. Nunca aproxime os membros ou rosto das peças de amarração ou rotativas da ponta da ferramenta. Caso contrário, pode sofrer ferimentos.

► Fig.22

Trabalho de amarração

⚠️ PRECAUÇÃO: Antes de inserir a bateria, certifique-se de soltar os dedos do gatilho do interruptor e bloqueie o gatilho. Se inserir a bateria enquanto estiver a puxar o gatilho do interruptor, pode causar um acidente se o processo de amarração do fio for realizado acidentalmente.

⚠️ PRECAUÇÃO: Quando ligar a alimentação, nunca aproxime os membros ou rosto às peças de amarração ou rotativas da ponta da ferramenta. Caso contrário, pode sofrer ferimentos.

⚠️ PRECAUÇÃO: Quando a alimentação estiver ligada, nunca toque nas peças de amarração ou rotativas da ponta da ferramenta. Caso contrário, pode sofrer ferimentos.

► Fig.23

Preparação antes do trabalho

1. Certifique-se de que a bateria foi retirada e que o gatilho está bloqueado.
2. Insira a bateria na ferramenta e ligue a alimentação. Quando ligar a alimentação, o fio é cortado automaticamente.

OBSERVAÇÃO: Certifique-se de que a lâmpada do modo de amarração acende quando a alimentação for ligada. Se não acender, recarregue a bateria.

3. Solte o bloqueio do gatilho.

► Fig.24: 1. Botão de bloqueio do gatilho 2. Gatilho do interruptor 3. Botão de alimentação 4. Lâmpada do modo de amarração

Modo de atuação individual

1. Empurre o braço firmemente contra o ponto de amarração. Empurre a ferramenta na vertical contra os vergalhões e pressione o braço num ângulo de 45 graus contra o ponto no qual os vergalhões se cruzam.

► Fig.25

2. Puxe o gatilho do interruptor uma vez.
3. O fio é alimentado e cortado automaticamente.
4. O gancho segura e torce o fio e, em seguida, retorna à posição original após os fios terem sido amarrados.

► Fig.26

5. Após a amarração, tenha cuidado para não enganchar o braço nos vergalhões e puxar a ferramenta para cima.

⚠️ PRECAUÇÃO: Se o fio ficou agarrado à peça de amarração da ponta da ferramenta, desligue a alimentação da ferramenta. Bloqueie o gatilho, remova a bateria e remova o fio utilizando ferramentas, tais como cortadores ou alicates.

► Fig.27

Modo de atuação contínuo

1. Mude o modo da ferramenta do modo de atuação individual para o modo de atuação contínuo utilizando o botão de mudança de modo.

► Fig.28: 1. Botão de mudança de modo

2. Solte o bloqueio do gatilho.
3. Enquanto puxa o gatilho do interruptor, empurre a ferramenta na vertical contra os vergalhões e pressione o braço num ângulo de 45 graus contra o ponto no qual os vergalhões se cruzam. Pressione a placa de contacto firmemente contra o ponto de amarração. O fio é amarrado.

► Fig.29: 1. Placa de contacto

4. Após a amarração, tenha cuidado para não enganchar o braço nos vergalhões e puxar a ferramenta para cima.

► Fig.30

Precauções durante o trabalho

- Se mover o braço da posição de amarração durante o processo de amarração do fio, o fio fica preso no gancho, o que pode causar uma amarração incorreta.
- Continue a pressionar a ferramenta contra os vergalhões até o processo de amarração do fio estar concluído.
- Não avance até ao ponto de amarração seguinte até o processo de amarração do fio atual estar concluído.
- A peça rotativa da ponta da ferramenta (gancho) torce o fio durante o processo de amarração do fio. Segure o punho firmemente de modo que o corpo não seja puxado pela ferramenta.
- Não toque nos fios durante o processo de amarração do fio.
- Se estiver a repetir os processos de amarração do fio no modo de atuação individual, solte completamente o dedo do gatilho do interruptor. Em seguida, continue a utilizar o gatilho do interruptor.
- Se puxar o gatilho do interruptor quando não restar qualquer fio de amarrar, é apresentado um erro. Substitua por um fio de amarrar novo e reinicie a ferramenta.

Dicas de amarrar

- Incline a ferramenta num ângulo de 45° em relação aos vergalhões cruzados e amarre alternadamente conforme ilustrado na figura.
► **Fig.31**
- Evite secções mais espessas de vergalhões.
► **Fig.32**
- Se a resistência da amarração for insuficiente, mude a orientação de amarração e execute a amarração duas vezes, de modo a aumentar a resistência da amarração.
► **Fig.33**

OBSERVAÇÃO: Quando realizar a segunda amarração, dobre a ponta da primeira amarração antes de realizar a segunda amarração. Caso contrário, o fio pode ser repellido uma segunda vez. Se agarrar à ponta da ferramenta e o gancho pode ser danificado.

Substituição dos fios de amarrar

PRECAUÇÃO: Quando substituir o fio, certifique-se de que desliga a alimentação, bloqueia o gatilho e remove a bateria. Caso não o faça, pode causar um acidente.

1. Quando o fio estiver gasto, soa um sinal de erro e o erro "1" é apresentado.
2. Bloqueie o gatilho, desligue a alimentação e remova a bateria da ferramenta.
3. Empurre a alavanca de libertação e bloqueie-a com a alavanca de bloqueio.
► **Fig.34:** 1. Alavanca de libertação 2. Alavanca de bloqueio
4. Retire a bobina de fio da ferramenta.

NOTA: Quando o fio estiver gasto normalmente, aproximadamente 20 cm do fio mantém-se enrolado na bobina. Neste estado, substitua a bobina de fio por uma nova.

Se for difícil remover a bobina de fio da ferramenta, siga os passos seguintes.

1. Insira a bateria na ferramenta e ligue a alimentação. A ferramenta alimenta o fio e corta-o automaticamente.
2. Bloqueie o gatilho, desligue a alimentação e remova a bateria da ferramenta.
3. Remova as quebras de fio utilizando ferramentas, tais como cortadores ou alicates.

MANUTENÇÃO

PRECAUÇÃO: Certifique-se sempre de que a ferramenta se encontra desligada e de que a bateria foi retirada antes de executar qualquer inspeção ou manutenção.

OBSERVAÇÃO: Nunca utilize gasolina, benzina, diluente, álcool ou produtos semelhantes. Pode ocorrer a descoloração, deformação ou rachaduras.

Para manter a SEGURANÇA e a FIABILIDADE do produto, as reparações e qualquer outra manutenção ou ajuste devem ser levados a cabo pelos centros de assistência Makita autorizados ou pelos centros de assistência de fábrica, utilizando sempre peças de substituição Makita.

Armazenamento da chave hexagonal

Armazene a chave hexagonal na posição ilustrada na figura.

- **Fig.35:** 1. Chave hexagonal

Limpeza do cortador

Quando a ferramenta for utilizada por um período prolongado, o pó e as partículas de fio podem aderir à secção do cortador. Nesse caso, desmonte e limpe o cortador de acordo com o procedimento seguinte. Se um fio estiver preso na secção do cortador, o fio pode ser removido seguindo o mesmo procedimento.

Desmontagem e limpeza

1. Solte os pernos A e B, utilizando a chave hexagonal incluída na embalagem da ferramenta.
► **Fig.36:** 1. Perno A 2. Perno B 3. Tampa da placa de contacto 4. Guia de fio B

OBSERVAÇÃO: Não remova quaisquer pernos à força que não possam ser removidos utilizando a chave hexagonal.

2. Puxe a tampa da placa de contacto para cima na direção da seta e remova-a. O perno B é removido ao mesmo tempo.
► **Fig.37:** 1. Tampa da placa de contacto 2. Perno B
3. Retire o perno A e a guia de fio B.
► **Fig.38:** 1. Perno A 2. Guia de fio B
4. Vire a guia de fio B e limpe o respetivo interior.
► **Fig.39**
5. Remova o cortador A, o cortador B, a placa superior e o braço de ligação A da placa do braço A. Limpe-os em seguida.
► **Fig.40:** 1. Cortador B 2. Braço de ligação A 3. Cortador A 4. Placa do braço A 5. Placa superior

Montagem

Quando a limpeza estiver concluída, monte as peças de acordo com o procedimento seguinte.

1. Instale o cortador A e o braço de ligação A para encaixar a forma da placa do braço A.
► **Fig.41:** 1. Cortador A 2. Braço de ligação A 3. Placa do braço A
2. Instale o cortador B e a placa superior na placa do braço A. (Instale o cortador B no cortador A e no braço de ligação A.)
► **Fig.42:** 1. Cortador B 2. Placa superior 3. Placa do braço A 4. Cortador A 5. Braço de ligação A

OBSERVAÇÃO: Vire a projeção do cortador B para baixo e instale o cortador conforme ilustrado na figura.

3. Alinhe o tubo da ferramenta com a ranhura no interior do guia de fio B e monte-o.
 ► **Fig.43:** 1. Tubo 2. Ranhura 3. Guia de fio B
4. Fixe a guia de fio B, apertando o perno A temporariamente.
 ► **Fig.44:** 1. Perno A 2. Guia de fio B
5. Instale a tampa da placa de contacto na direção da seta.
 ► **Fig.45:** 1. Tampa da placa de contacto

6. Fixe a guia de fio B e a tampa da placa de contacto firmemente ao apertar o perno A e o perno B.
 ► **Fig.46:** 1. Guia de fio B 2. Tampa da placa de contacto 3. Perno A 4. Perno B
7. Após a montagem, confirme se a placa de contacto pode mover-se conforme ilustrado na figura.
 ► **Fig.47:** 1. Placa de contacto

NOTA: Se a placa de contacto estiver presa, pressione-a conforme ilustrado na figura.

- **Fig.48**

Visor de erro e sinal de erro

- ⚠PRECAUÇÃO:** Durante a inspeção, certifique-se de que bloqueia o gatilho, desliga a alimentação e remove a bateria. Caso não o faça, pode causar um acidente.
- ⚠PRECAUÇÃO:** Quando ligar a alimentação, nunca aproxime os membros ou rosto às peças de amarração ou rotativas da ponta da ferramenta. Caso contrário, pode sofrer ferimentos.
- ⚠PRECAUÇÃO:** Quando a alimentação estiver ligada, nunca toque nas peças de amarração ou rotativas da ponta da ferramenta. Caso contrário, pode sofrer ferimentos.
- ⚠PRECAUÇÃO:** Se soar um sinal de erro ou se a ferramenta não funcionar corretamente, pare imediatamente de usar a ferramenta.

Sinal e visor de erro

Se ocorrer um erro, soa um sinal de erro e um número de erro é apresentado no painel do visor. Consulte a tabela seguinte e tome medidas adequadas. Se o erro persistir, peça eventuais reparações nos centros de assistência autorizado da Makita.

Visor	Sintoma	Possível causa	Solução
1	A ferramenta deixa de funcionar.	O fio está gasto.	Carregue um fio de amarrar novo.
		O fio de amarrar não foi carregado.	Carregue o fio de amarrar.
		A alimentação de fio falhou.	Verifique a orientação do fio de amarrar. Descarregue o fio de amarrar e carregue-o novamente. Limpe o percurso do fio.
2	A ferramenta deixa de funcionar.	A guia ondulada está aberta.	Feche a guia ondulada.
3	A ferramenta não executa o processo de amarração no modo de atuação contínuo.	A placa de contacto está presa.	Desprenda a placa de contacto.
4	A ferramenta não arranca. A ferramenta deixa de funcionar.	A bateria foi descarregada. A temperatura da bateria é anormalmente alta.	Recarregue a bateria. Arrefeça a bateria. Substitua a bateria por uma bateria carregada.
5	A ferramenta deixa de funcionar.	O motor está sobrecarregado.	Determine a causa da obstrução da rotação do motor e solucione o problema.
		Falha do motor	
6	A ferramenta deixa de funcionar.	A temperatura da ferramenta é anormalmente alta.	Arrefeça a ferramenta.
7	A ferramenta não arranca. A ferramenta deixa de funcionar.	Falha da ferramenta	Peça eventuais reparações nos centros de assistência autorizado da Makita.

ACESSÓRIOS OPCIONAIS

⚠️ PRECAUÇÃO: Estes acessórios ou peças são recomendados para utilização com a ferramenta Makita especificada neste manual. A utilização de outros acessórios ou peças pode ser perigosa para as pessoas. Utilize apenas acessórios ou peças para os fins indicados.

Se necessitar de informações adicionais relativas a estes acessórios, solicite-as ao seu centro de assistência Makita.

- Fio de amarrar
- Bateria e carregador genuínos da Makita

NOTA: Alguns itens da lista podem estar incluídos na embalagem da ferramenta como acessórios padrão. Eles podem variar de país para país.

SPECIFIKATIONER

Model:	DTR180
Bindetråd (ekstraudstyr)	ø0,8 mm
Diameter af armeringsjern, der kan bindes	Fra #3 x #3 til (#4 x 2) x (#4 x 2) Fra 10 mm x 10 mm til (13 mm x 2) x (13 mm x 2)
Omtrentligt antal bindinger pr. rulle	Cirka 120 bindinger
Samlet længde	304 mm
Mærkespænding	14,4/18 V DC
Nettovægt	2,3 - 2,6 kg

- På grund af vores kontinuerlige forsknings- og udviklingsprogrammer kan hosstående specifikationer blive ændret uden varsel.
- Specifikationer og akku kan variere fra land til land.
- Vægten kan være anderledes afhængigt af tilbehøret, inklusive akkuen. Den letteste og tungeste kombination i henhold til EPTA-procedure 01/2014 er vist i tabellen.

Anvendelig akku og oplader

Akku	14,4 V DC-model	BL1415N / BL1430 / BL1430B / BL1440 / BL1450 / BL1460B
	18 V DC-model	BL1815N / BL1820 / BL1820B / BL1830 / BL1830B / BL1840 / BL1840B / BL1850 / BL1850B / BL1860B
Oplader		DC18RC / DC18RD / DC18RE / DC18SD / DC18SE / DC18SF

- Nogle af de akkuer og opladere, der er angivet ovenfor, er muligvis ikke tilgængelige, afhængigt af hvilket område du bor i.

⚠ ADVARSEL: Brug kun de akkuer og opladere, der er angivet ovenfor. Brug af andre akkuer og opladere kan medføre personskaade og/eller brand.

Kombination af armeringsjern, der kan bindes

Kombination af 2 armeringsjern

	#3 (10 mm)	#4 (13 mm)	#5 (16 mm)
#3 (10 mm)	✓	✓	✓
#4 (13 mm)	✓	✓	✓
#5 (16 mm)	✓	✓	✓

Kombination af 3 armeringsjern

	#3 x #3 (10 mm x 10 mm)	#4 x #4 (13 mm x 13 mm)
#3 (10 mm)	✓	✓
#4 (13 mm)	✓	✓
#5 (16 mm)	✓	-

Kombination af 4 armeringsjern

	#3 x #3 (10 mm x 10 mm)	#4 x #4 (13 mm x 13 mm)
#3 x #3 (10 mm x 10 mm)	✓	✓
#4 x #4 (13 mm x 13 mm)	✓	✓

BEMÆRKNING: Hvis der er mellemrum mellem armeringsjern, eller hvis maskinen bruges i en forkert retning, kan armeringsjernene muligvis ikke bindes.

Symboler

Følgende viser de symboler, der anvendes til udstyret. Vær sikker på, at De forstår betydningen af symbolerne før brugen.



Læs brugsanvisningen.



Bær sikkerhedsbriller.



Udsæt ikke for regn.



Hold hænderne væk fra trådrollen eller tråden, når maskinen bruges.



Hold hænderne væk fra spidsen af maskinen.



Kun for lande inden for EU
Bortskaf ikke elektrisk udstyr eller akkuen sammen med almindeligt husholdningsaffald!
I overensstemmelse med EU-direktiverne vedrørende Affald af elektrisk og elektronisk udstyr samt Batterier og akkumulatorer og Batteri- og akkumulatoraffald og deres anvendelse i overensstemmelse med nationale love skal elektrisk udstyr og batterier og batteripakker, der har nået slutningen af deres levetid, indsamles separat og returneres til en miljøvenlig genbrugsstation.

Tilsigtet brug

Maskinen er beregnet til at binde armeringsjern.

Lyd

Det typiske A-vægtede støjniveau bestemt i overensstemmelse med EN60745-2-18 (EN12549):

Lydtryksniveau (L_{pA}): 78 dB (A)

Usikkerhed (K): 3 dB (A)

Støjniveauet under arbejdet kan overskride 80 dB (A).

ADVARSEL: Bær høreværn.

Vibration

Vibrationens totalværdi (tre-aksial vektorsum) bestemt i overensstemmelse med EN60745-2-18 (ISO8662-11):

Arbejdstilstand: Binding af metalstang

Vibrationsemission (a_{h1}): 2,5 m/s² eller mindre

Usikkerhed (K): 1,5 m/s²

BEMÆRK: Den angivne vibrationsemissionsværdier blev målt i overensstemmelse med standardtestmetoden og kan anvendes til at sammenligne et værktøj med et andet.

BEMÆRK: Den angivne vibrationsemissionsværdien kan også anvendes i en præliminær eksponeringsvurdering.

ADVARSEL: Vibrationsemissionen under den faktiske anvendelse af værktøjet kan være forskellig fra den erklærede emissionsværdi, afhængigt af den måde, hvorpå værktøjet anvendes.

ADVARSEL: Sørg for at identificere de sikkerhedsforskrifter til beskyttelse af operatøren, som er baseret på en vurdering af eksponering under de faktiske brugsforhold (med hensyntagen til alle dele i brugscyklussen, f.eks. de gange, hvor værktøjet er slukket, og når det kører i tomgang i tilgift til afbrydertiden).

EU-overensstemmelseserklæring

Kun for lande i Europa

EU-overensstemmelseserklæringen er inkluderet som Bilag A i denne brugsanvisning.

SIKKERHEDSADVARSLER

Almindelige sikkerhedsregler for el-værktøj

ADVARSEL: Læs alle de sikkerhedsadvarsler, instruktioner, illustrationer og specifikationer, der følger med denne maskine. Forsømmelse af at overholde alle nedenstående instruktioner kan medføre elektrisk stød, brand og/eller alvorlig personskade.

Gem alle advarsler og instruktioner til fremtidig reference.

Ordet "el-værktøj" i advarslerne henviser til det netforsyede (netledning) el-værktøj eller batteriforsynede (akku) el-værktøj.

Sikkerhedsadvarsler for akku maskine til binding af armeringsjern

1. **Ret aldrig maskinen mod en person. Anbring aldrig dine hænder og fødder i nærheden af spidsen af maskinen.** Hvis du betjener maskinen ved et uheld, mens den berører nogen, vil det medføre en uventet ulykke.
2. **Indfør ikke tråd, mens der er tændt for maskinen.** Ellers kan du blive indfanget i tråden og komme til skade.
3. **Brug ikke maskinen uden at lukke rulledekslet.** Ellers kan trådrollen falde af og forårsage en ulykke.

4. **Sørg for at kontrollere, at diametrene af de armeringsjern, der skal bindes, er inden for maskinens kapacitet, før du påbegynder arbejdet.**
5. **Bær tøj med tætsiddende kanter og ærmer. Undlad at arbejde med et tørklæde eller andre genstande viklet om halsen. Ellers kan de blive viklet ind i den roterende del og forårsage en ulykke.**
6. **Sørg for at inspicere følgende punkter, før maskinen anvendes.**
 - **Kontroller, at der ikke er nogen beskadigede dele**
 - **Kontroller, at der ikke er nogen løse bolte**
 - **Kontroller, at sikkerhedsanordninger fungerer normalt**
7. **Hold med det samme op med at bruge maskinen, hvis der konstateres nogen unormale forhold. Forsøg ikke selv at reparere maskinen. Kontakt det lokale Makita servicecenter for reparation. Hvis maskinen bruges i en ufærdig tilstand, kan der ske en ulykke.**
8. **Ved montering af akkuen skal du sørge for at låse afbryderen og ikke placere fingeren på afbryderen. Forkert betjening kan medføre en ulykke.**
9. **Ved binding af armeringsjern skal du være omhyggelig med ikke at flytte dem. Du kan komme til skade, hvis armeringsjern flytter sig under bindingen.**
10. **Rør ikke ved trådene under trådbindingen. Ellers kan du blive indfanget i tråden og komme til skade.**
11. **Placer ikke hænderne i nærheden af bindingspunktet under trådbindingen. Ellers kan du blive indfanget i tråden og komme til skade.**
12. **Hold fast i grebet på maskinen under trådbindingen. Ellers kan dit håndled blive vredet, eller din krop kan blive trukket, hvilket kan medføre personskade.**
13. **Fortsæt ikke til det næste bindingspunkt, før den aktuelle trådbinding er færdig. Ellers kan du komme til skade.**
14. **Vær opmærksom på tråddenden under trådbindingen. Ellers kan din hånd blive viklet ind i tråddenden, og du kan komme til skade.**
15. **Rør ikke ved kontaktpladen under trådbindingen. Hvis du har brug for at berøre kontaktpladen, skal du sørge for at låse afbryderen eller slukke på strømknappen og fjerne akkuen. Ellers kan du komme til skade.**
16. **Når du har færdiggjort trådbindingen, skal du trække maskinen lodret op. Ellers kan armen hænge fast i armeringsjernene, hvilket kan forårsage en ulykke.**
17. **Udgå at tæpe maskinen, støde den eller slå på den. Hvis der sker et kraftigt stød, før maskinen bruges, skal du sikre dig, at maskinen ikke er beskadiget eller revnet, og at sikkerhedsanordningerne fungerer normalt. Ellers kan der ske en ulykke.**
18. **Hvis nogen af følgende fænomener opstår, skal du låse afbryderen, slukke på strømknappen og fjerne akkuen fra maskinen. Hvis maskinen fungerer forkert, kan der ske en ulykke.**
 - **Hvis der høres en betjeningslyd, så snart akkuen monteres.**
 - **Hvis der konstateres overophedning eller unormal lugt eller støj.**
 - **Når du tager forholdsregler som reaktion på fejldisplayet. (Kontakt det lokale Makita servicecenter for reparation.)**
 - **Ved isætning eller fjernelse af trådullen.**
 - **Når du flytter dig, mens du holder maskinen under arbejdet.**
 - **Når du ikke bruger maskinen.**
 - **Når du inspicerer eller justerer maskinen.**
 - **Når du fjerner en fastsiddende tråd.**
19. **Under arbejde på stilladser skal du altid understøtte det og arbejde i en stilling, der sikrer, at du bevarer balancen. Hvis stilladset er ustabil, kan der ske en ulykke.**
20. **Når du arbejder på et tag eller lignende steder, skal du bevæge dig fremad, mens du arbejder, så du kan se, hvor du bevæger dig hen. Hvis du bevæger dig baglæns, mens du arbejder, kan du miste fodfæstet og forårsage en ulykke.**
21. **Hvis du arbejder på et højtliggende sted, skal du sikre dig, at der ikke er nogen under dig, og være opmærksom for at sikre dig, at du ikke taber nogen værktøjer, mens du arbejder. Hvis du taber maskinen, kan det medføre en ulykke.**
22. **Brug ikke maskinen til andet arbejde end trådbinding. Ellers kan der ske en ulykke.**
23. **Brug altid Makitas originale tråde. Hvis tråde ikke bruges i længere tid, kan de ruste. Brug ikke rustne tråde. Ellers kan de forårsage en ulykke.**
24. **Efter binding skal du se efter knækkede tråde på grund af overdreven bøjning. Hvis tråde er knækket, mistes der bindestyrke. Juster bindestyrken, og bind armeringsjernene igen.**
25. **Placer armen fast mod armeringsjernene. Hvis den ikke er placeret solidt, vil der være et mellemrum mellem armeringsjernene, og bindestyrken bliver forringet.**

Vigtige sikkerhedsinstruktioner for akkuen

1. **Læs alle instruktioner og advarselmærkater på (1) akku-opladeren, (2) akkuen og (3) produktet, som anvender akku.**
2. **Lad være med at skille akkuen ad.**
3. **Hold straks op med anvendelsen, hvis brugstiden er blevet stærkt afkortet. Fortsat anvendelse kan resultere i risiko for overophedning, forbrændinger og endog eksplosion.**
4. **Hvis De har fået elektrolytvæske i øjnene, skal De straks skylle den ud med rent vand og derefter øjeblikkeligt søge lægehjælp. I modsat fald kan De miste synet.**
5. **Vær påpasselig med ikke at komme til at kortslutte akkuen:**
 - (1) **Rør ikke ved terminalerne med noget ledende materiale.**
 - (2) **Udgå at opbevare akkuen i en beholder sammen med andre genstande af metal, for eksempel søm, mønter og lignende.**
 - (3) **Udsæt ikke akkuen for vand eller regn.**

Kortslutning af akkuen kan forårsage en kraftig øgning af strømmen, overophedning, mulige forbrændinger og endog værktøjstop.

6. Opbevar ikke værktøjet og akkuen på et sted, hvor temperaturen kan nå eller overstige 50 °C.
7. Lad være med at brænde akkuen, selv ikke i tilfælde, hvor den har lidt alvorlig skade eller er fuldstændig udtjent. Akkuen kan eksplodere, hvis man forsøger at brænde den.
8. Lad være med at brænde akkuen eller udsætte den for stød.
9. Anvend ikke en beskadiget akku.
10. De indbyggede litium-ion-batterier er underlagt lovkrav vedrørende farligt gods. Ved kommerciel transport, f.eks. af tredjeparts transportselskaber, skal særlige krav til forpakning og mærkning overholdes. Ved forberedelse af udstyret til forsendelse skal du kontakte en ekspert i farligt gods. Overhold også eventuel mere detaljeret national lovgivning. Tape eller tildæk åbne kontakter, og pak batteriet på en måde, så det ikke kan flytte sig rundt i pakningen.
11. Følg de lokale love vedrørende bortskaffelsen af batterier.
12. Brug kun batterierne med de produkter, som Makita specificerer. Hvis batterierne installeres i ikke-kompatible produkter, kan det medføre brand, kraftig varme, eksplosion eller udsivning af elektrolyt.

GEM DENNE BRUGSANVISNING.

⚠FORSIGTIG: Brug kun originale batterier fra Makita. Brug af uoriginale Makita-batterier, eller batterier som er blevet ændret, kan muligvis medføre brud på batteriet, hvilket kan forårsage brand, personskade eller beskadigelse. Det ugyldiggør også Makita-garantien for Makita-maskinen og opladeren.

Tips til opnåelse af maksimal akku-levetid

1. Oplad akkuen, inden den er helt afladet. Stop altid værktøjet, og oplad akkuen, hvis De bemærker, at værktøjeffekten er aftagende.
2. Genoplad aldrig en fuldt opladet akku. Overopladning vil afkorte akkuens levetid.
3. Oplad akkuen ved stuetemperatur ved 10 °C - 40 °C. Lad altid en varm akku få tid til at køle af, inden den oplades.
4. Oplad akkuen, hvis De ikke skal bruge den i længere tid (mere end seks måneder).

FUNKTIONSBESKRIVELSE

⚠FORSIGTIG: Sørg altid for at maskinen er slukket, og at akkuen er taget ud, før der udføres justering eller kontrol af funktioner på maskinen.

Isætning eller fjernelse af akkuen

⚠FORSIGTIG: Sluk altid for værktøjet, før De monterer eller fjerner akkuen.

⚠FORSIGTIG: Hold værktøjet og akkuen fast ved montering eller fjernelse af akkuen. Hvis De ikke holder værktøjet og akkuen fast, kan de glide ud af hænderne på Dem og forårsage beskadigelse af værktøjet og akkuen eller personskade.

► Fig.1: 1. Rød indikator 2. Knap 3. Akku

Akkuen fjernes ved, at De trækker den ud af værktøjet, idet De skyder knappen på forsiden af akkuen i stilling.

Akkuen monteres ved, at De sætter tungen på akkuen ud for noten i kabinettet og lader den glide på plads. Sæt den hele vejen ind, så den låses på plads med et lille klik. Hvis den røde indikator på oversiden af knappen er synlig, betyder det, at den ikke er tilstrækkeligt låst.

⚠FORSIGTIG: Monter altid akkuen helt, indtil den røde indikator ikke længere er synlig. Hvis dette ikke gøres, kan den falde ud af værktøjet ved et uheld, hvorved De selv eller personer i nærheden kan komme til skade.


















⚠FORSIGTIG: Brug ikke magt ved montering af akkuen. Hvis akkuen ikke glider på plads uden problemer, betyder det, at den ikke sættes i på korrekt vis.

Indikation af den resterende batteriladning

Kun til akkuer med indikatoren

► Fig.2: 1. Indikatorlamper 2. Kontrolknap

Tryk på kontrolknappen på akkuen for at få vist den resterende batteriladning. Indikatorlampen lyser i nogle sekunder.

Indikatorlamper			Resterende ladning
 Tændt	 Slukket	 Blinker	
			75% til 100%
			50% til 75%
			25% til 50%
			0% til 25%
			Genoplad batteriet.
			Der er muligvis fejl i batteriet.
			

BEMÆRK: Afhængigt af brugsforholdene og den omgivende temperatur kan indikationen afvige en smule fra den faktiske ladning.

Beskyttelsessystem til værktøj/batteri

Maskinen er udstyret med et beskyttelsessystem til maskinen/batteriet. Dette system afbryder automatisk strømmen til motoren for at forlænge maskinens og batteriets levetid. Maskinen stopper automatisk under brugen, hvis maskinen eller batteriet udsættes for et af følgende forhold:

Overbelastningsbeskyttelse

Hvis batteriet anvendes på en måde, der bevirker, at der forbruger en unormal mængde strøm, stopper maskinen automatisk, og det tilsvarende fejlnummer vises på displayet. Sluk i så fald for maskinen, og stop den anvendelse, der medførte, at maskinen blev overbelastet. Tænd derefter for maskinen for at starte igen.

Beskyttelse mod overophedning

Hvis maskinen eller batteriet bliver overophedet, stopper maskinen automatisk, og det tilsvarende fejlnummer vises på displayet. Lad i så fald maskinen og batteriet køle ned, før der tændes for maskinen igen.

Beskyttelse mod overafledning

Hvis batteriladningen er utilstrækkelig, stopper maskinen automatisk, og det tilsvarende fejlnummer vises på displayet. Fjern i så fald batteriet fra maskinen, og lad batteriet op.

Hovedafbryder

⚠FORSIGTIG: Når du tænder for strømmen, må du aldrig placere arme, ben eller ansigtet i nærheden af bindingsdelene eller de roterende dele på spidsen af maskinen. Ellers kan du komme til skade.

⚠FORSIGTIG: Når der er tændt for strømmen, må du aldrig berøre bindingsdelene eller de roterende dele på spidsen af maskinen. Ellers kan du komme til skade.

⚠FORSIGTIG: Før indsætning af akkuen skal du sørge for at fjerne fingrene fra afbryderknappen og låse afbryderen. Hvis du indsætter akkuen, mens afbryderknappen er trykket ned, kan det medføre en ulykke, hvis der udføres træbinding ved et uheld.

► Fig.3

Når du trykker på strømknappen, tændes der for maskinen, og lampen for bindingsstilling tændes. Maskinen kører kortvarigt for at indstille til dens startposition. Når justeringen er færdig, stopper maskinen automatisk. Når du trykker på strømknappen igen, slukkes der for maskinen, og lampen for bindingsstilling slukkes.

► Fig.4: 1. Lampe for bindingsstilling 2. Strømknap

BEMÆRK: Maskinen har en funktion til automatisk slukning. Hvis afbryderknappen ikke betjenes i 10 minutter, slukkes der automatisk for maskinen for at spare på batteriforbruget.

BEMÆRK: Tænd for strømmen igen for at genstarte maskinen.

Knap til tilstandsvalg

Når der tændes for strømmen, og lampen for bindingsstilling lyser, kan du vælge enkelt aktiveringstilstand eller kontinuerlig aktiveringstilstand vha. knappen til tilstandsvalg. Når du tænder for strømmen igen, starter maskinen i den senest valgte tilstand.

► Fig.5: 1. Knap til tilstandsvalg 2. Enkelt aktiveringsstilstand 3. Kontinuerlig aktiveringstilstand

Afbryderbetjening

⚠ADVARSEL: Inden akkuen sættes i maskinen, bør De altid kontrollere, at afbryderknappen fungerer korrekt, og returnerer til "OFF"-positionen, når den slippes.

⚠FORSIGTIG: Når maskinen ikke er i brug, skal du trykke på afbryderlåseknappen fra A-siden for at låse afbryderknappen fast i FRA-stillingen.

► Fig.6: 1. Afbryderknop 2. Afbryderlåseknop

En afbryderlåseknop forhindrer, at der trykkes på afbryderknappen ved en fejltagelse. Maskinen startes ved at trykke afbryderlåseknappen ind fra A-siden og trykke på afbryderknappen. Slip afbryderknappen for at stoppe. Tryk afbryderlåseknappen ind fra B-siden efter brug.

Når du trykker på afbryderknappen, udfører maskinen de næste sekventielle operationer på følgende måde, og maskinen stopper automatisk.

1. Fremføring af tråden.
2. Skæring af tråden.
3. Krogene holder og bøjer tråden.
4. Krogen vender tilbage til den oprindelige position.

Indstilling for bindestyrke

⚠FORSIGTIG: Sørg for at låse afbryderen, før du starter justeringen. Når du tænder for strømmen, må du aldrig placere arme, ben eller ansigtet i nærheden af bindingsdelene eller de roterende dele på spidsen af maskinen. Ellers kan du komme til skade.

► Fig.7

Du kan indstille bindestyrken ved at juster justeringsknappen for bindestyrke. Bindestyrken vises på displayet.

► Fig.8: 1. Justeringsknop for bindestyrke 2. Display

Hvis tråden knækker, mistes der bindestyrke. Efter binding skal du kontrollere den bøjedede del for brud. Hvis tråden er brækket af, skal du justere bindestyrken ved hjælp af justeringsknappen for bindestyrke og binde armeringsjernene igen.

Besked om resterende batteri

Hvis batterispændingen falder under det påkrævede niveau, holder maskinen op med at fungere, der lyder en fejltone, og tallet "4" vises på displayet. Fejltonen fortsætter med at lyde, indtil der slukkes for strømmen.

BEMÆRK: Hvis den omgivende temperatur er ekstremt lav, lyder fejltonen muligvis, selvom batteriet har tilstrækkelig ladning.

SAMLING

⚠FORSIGTIG: Sørg altid for at maskinen er slukket, og at akkuen er taget ud, før der udføres noget arbejde på maskinen.

Indføring af bindetråden (trådrulle)

⚠FORSIGTIG: Før montering eller fjernelse af bindetråde og ekstraudstyr skal du sørge for at slukke for strømmen, låse afbryderen og fjerne akkuen. Unladelse af dette kan medføre en ulykke.

BEMÆRKNING: Brug af andre tråde end Makitas originale bindetråde (udglødede tråde) kan medføre funktionsfejl i maskinen.

1. Tryk på udløserhåndtaget, og lås det fast med låsehåndtaget.

► **Fig.9:** 1. Udløserhåndtag 2. Låsehåndtag

Når du trykker på udløserhåndtaget, dannes der et mellemrum mellem venstre og højre fremføringstandhjul.

► **Fig.10:** 1. Udløserhåndtag 2. Låsehåndtag
3. Fremføringstandhjul

2. Fjern den tape, der holder tråden, og træk trådspidsen ud.

► **Fig.11:** 1. Tape 2. Trådspids

3. Åbn rulledekslet.

► **Fig.12:** 1. Rulledeksel

4. Monter trådrullen på maskinen i den retning, der er vist på illustrationen.

► **Fig.13:** 1. Trådrulle

BEMÆRKNING: Sørg for at montere trådrullen i den retning, der er vist på illustrationen. Hvis den monteres den anden vej, frigøres tråden, og den kan blive snoet.

5. Gør trådspidsen lige, og før tråden gennem styret.

► **Fig.14:** 1. Styr

BEMÆRK: Hvis trådspidsen er bøjet, når den føres gennem styret, vil tråden sætte sig fast i maskinen.

BEMÆRK: Hvis du bruger magt på tråden, når du forsøger at føre den gennem styret, kan tråden sætte sig fast.

6. Træk tråden cirka 10 mm ud fra spidsen af armen.

► **Fig.15:** 1. Arm 2. Cirka 10 mm

BEMÆRKNING: Hvis længden af den tråd, der trækkes ud, er for lille, kan tråden brække af, når den bindes, eller bindestyrken kan blive forringet pga. for få omviklinger.

7. Fjern al den tape, der holder tråden.

► **Fig.16**

8. Sno tråden op igen for at eliminere slæk.

► **Fig.17**

9. Slip låsehåndtaget. Udløserhåndtaget vender tilbage, og tråden holdes fast af venstre og højre tandhjul.

► **Fig.18:** 1. Udløserhåndtag 2. Låsehåndtag

► **Fig.19:** 1. Tandhjul 2. Trådens sti 3. Tråd

BEMÆRKNING: Når låsehåndtaget slippes, og når venstre og højre tandhjul griber ind i hinanden, dannes rillerne i tandhjulene et mellemrum. Dette mellemrum bliver trådens sti. Sørg for, at tråden føres gennem denne sti.

10. Luk rulledekslet.

► **Fig.20:** 1. Rulledeksel

ANVENDELSE

Kontrolpunkter før arbejdet

⚠FORSIGTIG: Undlad at bruge maskinen, hvis der er et problem med en sikkerhedsanordning. Hvis du fortsætter med at bruge den, kan der ske en ulykke.

Før du bruger maskinen, skal du sikre dig, at sikkerhedsanordningen fungerer normalt. Hold med det samme op med at bruge maskinen, hvis maskinen fungerer, uden at sikkerhedsanordningen fungerer. Kontakt det lokale Makita servicecenter for reparation.

Kontrol af afbryderlåsen

Maskinen har en afbryderlås for at forhindre maskinen i at fungere, når du ikke har til hensigt at bruge den. Lås afbryderen, og kontroller, at afbryderknappen ikke kan trykkes ind.

Kontrol af snoningsstyret

For at forhindre operatøren i at berøre de bindende eller roterende dele i maskinens spids ved en fejltagelse kan maskinen ikke fungere, selvom afbryderknappen trykkes ind, når snoningsstyret er åbent. Når operatøren fjerner fingeren fra afbryderknappen og lukker snoningsstyret, kan maskinen fungere.

► **Fig.21:** 1. Snoningsstyr

Kontrol af snoningsstyrets registrering af åben/lukket tilstand

Fjern bindetråden, kontroller maskinens funktion i henhold til følgende trin, og sørg for, at maskinen ikke starter, hvis snoningsstyret er åbent.

1. Sluk for strømmen, og lad snoningsstyret være åbent.

2. Tænd for strømmen.

Hvis maskinen ikke fungerer, og værdien "2" vises på displayet, er maskinens tilstand normal. Sluk for strømmen, og luk snoningsstyret.

Hvis maskinen fungerer, og der ikke vises en fejl på displayet, er maskinens tilstand unormal. Hold med det samme op med at bruge maskinen, og bed dit lokale Makita servicecenter om reparation.

⚠FORSIGTIG: Hvis du åbner snoningsstyret og tænder for strømmen for at kontrollere interlock-låsen, skal du holde snoningsstyret som vist på illustrationen. Placer aldrig arme, ben eller ansigt i nærheden af bindingsdelene eller de roterende dele på spidsen af maskinen. Ellers kan du komme til skade.

► **Fig.22**

Bindingsarbejde

⚠️FORSIGTIG: Før indsætning af akkuen skal du sørge for at fjerne fingrene fra afbryderknappen og låse afbryderen. Hvis du indsætter akkuen, mens afbryderknappen er trykket ned, kan det medføre en ulykke, hvis der udføres trådbinding ved et uheld.

⚠️FORSIGTIG: Når du tænder for strømmen, må du aldrig placere arme, ben eller ansigtet i nærheden af bindingsdelene eller de roterende dele på spidsen af maskinen. Ellers kan du komme til skade.

⚠️FORSIGTIG: Når der er tændt for strømmen, må du aldrig berøre bindingsdelene eller de roterende dele på spidsen af maskinen. Ellers kan du komme til skade.

► Fig.23

Forberedelse før arbejdet

1. Sørg altid for, at akkuen er fjernet, og at afbryderen er låst.
2. Sæt akkuen i maskinen, og tænd for strømmen. Når du tænder for strømmen, skæres tråden automatisk.

BEMÆRKNING: Kontroller, at lampen for bindingsstilstand lyser, når der tændes for strømmen. Genoplad batteriet, hvis den ikke lyser.

3. Slip afbryderlåsen.

► Fig.24: 1. Afbryderlåseknap 2. Afbryderknap
3. Strømknap 4. Lampe for bindingsstilstand

Enkelt aktiveringstilstand

1. Skub armen fast mod bindingspunktet. Skub maskinen lodret mod armeringsjernene, og tryk armen mod det punkt, hvor armeringsjernene krydser hinanden, i en vinkel på 45 grader.

► Fig.25

2. Tryk én gang på afbryderknappen.
3. Tråden fremføres og skæres automatisk.
4. Krogen holder og bøjer tråden og går derefter tilbage til den oprindelige position, når trådene er bundet.

► Fig.26

5. Efter bindingen skal du sørge for, at armen ikke hænger fast i armeringsjernene, og trække maskinen op.

⚠️FORSIGTIG: Hvis tråden har grebet fast i bindingsdelen på maskinens spids, skal du slukke for strømmen til maskinen. Lås afbryderen, fjern akkuen, og fjern tråden ved hjælp af værktøjer som f.eks. en bidetang eller en niptang.

► Fig.27

Kontinuerlig aktiveringstilstand

1. Skift maskinens tilstand fra enkelt aktiveringstilstand til kontinuerlig aktiveringstilstand vha. knappen til tilstandsvalg.

► Fig.28: 1. Knap til tilstandsvalg

2. Slip afbryderlåsen.

3. I det der trykkes på afbryderknappen, skal du skubbe maskinen lodret mod armeringsjernene og trykke armen mod det punkt, hvor armeringsjernene krydser hinanden, i en vinkel på 45 grader. Tryk kontaktpladen fast mod bindingspunktet. Tråden bindes.

► Fig.29: 1. Kontaktplade

4. Efter bindingen skal du sørge for, at armen ikke hænger fast i armeringsjernene, og trække maskinen op.

► Fig.30

Forholdsregler under arbejdet

- Hvis du flytter armen fra bindingspositionen under trådbindingen, vil tråden hænge fast i krogen, hvilket kan medføre forkert binding.
- Bliv ved med at holde maskinen mod armeringsjernene, indtil trådbindingen er færdig.
- Fortsæt ikke til det næste bindingspunkt, før den aktuelle trådbinding er færdig.
- Maskinens spidsens roterende del (krogen) snor tråden under trådbindingen. Hold fast i grebet, så maskinen ikke trækker i din krop.
- Rør ikke ved trådene under trådbindingen.
- Hvis du gentager trådbindingerne i enkelt aktiveringstilstand, skal du fjerne din finger helt fra afbryderknappen. Fortsæt derefter med at betjene afbryderknappen.
- Hvis du trykker afbryderknappen ind, når der ikke er noget bindetråd tilbage, vises der en fejl. Udskift med en ny bindetråd, og start maskinen igen.

Tip til binding

- Vip maskinen i en vinkel på 45° med de krydsede armeringsjern og bind på skift som vist på illustrationen.

► Fig.31

- Undgå knubbede afsnit af armeringsjern.

► Fig.32

- Hvis bindestyrken er utilstrækkelig, skal du ændre bindingsretningen og udføre binding to gange, så bindestyrken øges.

► Fig.33

BEMÆRKNING: Når du foretager den anden binding, skal du bøje enden af den første binding, før du foretager den anden binding. Ellers kan tråden blive afvist den anden gang. Den kan hænge fast i spidsen af maskinen, og krogen kan blive ødelagt.

Skift af bindetråden

⚠FORSIGTIG: Når du skifter tråden, skal du sørge for at slukke for strømmen, låse afbryderen og fjerne akkuen. Undladelse af dette kan medføre en ulykke.

1. Når tråden er brugt op, lyder der en fejltone, og fejl "1" vises.
2. Lås afbryderen, sluk for strømmen, og fjern akkuen.
3. Tryk på udløserhåndtaget, og lås det fast med låsehåndtaget.
► **Fig.34:** 1. Udløserhåndtag 2. Låsehåndtag
4. Tag trådrollen ud af maskinen.

BEMÆRK: Når tråden er brugt op normalt, er der cirka 20 cm tråd viklet omkring rullen. I denne tilstand skal trådrollen udskiftes med en ny.

Benyt nedenstående fremgangsmåde, hvis det er svært at fjerne trådrollen fra maskinen.

1. Sæt akkuen i maskinen, og tænd for strømmen. Maskinen fremfører tråden og skærer den automatisk.
2. Lås afbryderen, sluk for strømmen, og fjern akkuen.
3. Fjern den brækkede tråd ved hjælp af værktøjer som f.eks. en bidetang eller en niptang.

VEDLIGEHOLDELSE

⚠FORSIGTIG: Vær altid sikker på, at værktøjet er slukket, og at akkuen er taget ud, inden De begynder at udføre inspektion eller vedligeholdelse.

BEMÆRKNING: Anvend aldrig benzin, rensebenzin, fortynder, alkohol og lignende. Det kan medføre misfarvning, deformering eller revner.

For at opretholde produktets SIKKERHED og PÅLIDELIGHED må reparation, vedligeholdelse eller justering kun udføres af et autoriseret Makita servicecenter eller fabrikksservicecenter med anvendelse af Makita reservedele.

Opbevaring af sekskantnøglen

Opbevar sekskantnøglen på det sted, der er vist på illustrationen.

- **Fig.35:** 1. Sekskantnøgle

Rengøring af klipperen

Når maskinen bruges i længere tid, kan der sætte sig støv og trådparkler i klipperafsnittet. I så fald skal du adskille og rengøre klipperen ved at benytte følgende fremgangsmåde.

Hvis en tråd sidder fast i klipperafsnittet, kan tråden fjernes ved at benytte den samme fremgangsmåde.

Adskillelse og rengøring

1. Løsn boltene A og B ved hjælp af sekskantnøglen, der medfølger i maskinpakken.

- **Fig.36:** 1. Bolt A 2. Bolt B 3. Kontaktpladens dæksel 4. Trådstyr B

BEMÆRKNING: Undlad at bruge magt til at fjerne bolte, der ikke kan fjernes ved hjælp af sekskantnøglen.

2. Træk kontaktpladens dæksel opad i pilens retning, og fjern det. Bolt B fjernes på samme tid.
► **Fig.37:** 1. Kontaktpladens dæksel 2. Bolt B
3. Fjern Bolt A, og fjern trådstyr B.
► **Fig.38:** 1. Bolt A 2. Trådstyr B
4. Vend trådstyr B om, og rengør dets inderside.
► **Fig.39**
5. Fjern klipper A, klipper B, toppladen og linkarm A fra armlade A. Rengør dem derefter.
► **Fig.40:** 1. Klipper B 2. Linkarm A 3. Klipper A 4. Armlade A 5. Topplade

Samling

Når du er færdig med rengøringen, skal du samle delene ved at benytte følgende fremgangsmåde.

1. Monter klipper A og linkarm A, så de passer til formen af armlade A.
► **Fig.41:** 1. Klipper A 2. Linkarm A 3. Armlade A
2. Monter klipper B og toppladen på armlade A. (Monter klipper B på klipper A og linkarm A.)
► **Fig.42:** 1. Klipper B 2. Topplade 3. Armlade A 4. Klipper A 5. Linkarm A

BEMÆRKNING: Vend fremspringet på klipper B nedad, og monter klipperen som vist på illustrationen.

3. Juster røret på maskinen i forhold til rillen inde i trådstyr B, og saml dem.
► **Fig.43:** 1. Rør 2. Rille 3. Trådstyr B
4. Fastgør trådstyr B ved midlertidigt at stramme bolt A.
► **Fig.44:** 1. Bolt A 2. Trådstyr B
5. Monter kontaktpladens dæksel i pilens retning.
► **Fig.45:** 1. Kontaktpladens dæksel
6. Fastgør trådstyr B og kontaktpladens dæksel forsvarligt ved at stramme bolt A og bolt B.
► **Fig.46:** 1. Trådstyr B 2. Kontaktpladens dæksel 3. Bolt A 4. Bolt B
7. Kontroller efter samlingen, at kontaktpladen kan bevæge sig som vist på illustrationen.
► **Fig.47:** 1. Kontaktplade

BEMÆRK: Hvis kontaktpladen sidder fast, skal du trykke på den som vist på illustrationen.

- **Fig.48**

Fejldisplay og fejltone

⚠FORSIGTIG: Under inspektion skal du sørge for at låse afbryderen, slukke for strømmen og fjerne akkuen. Undladelse af dette kan medføre en ulykke.

⚠FORSIGTIG: Når du tænder for strømmen, må du aldrig placere arme, ben eller ansigtet i nærheden af bindingsdelene eller de roterende dele på spidsen af maskinen. Ellers kan du komme til skade.

⚠FORSIGTIG: Når der er tændt for strømmen, må du aldrig berøre bindingsdelene eller de roterende dele på spidsen af maskinen. Ellers kan du komme til skade.

⚠FORSIGTIG: Hold med det samme op med at bruge maskinen, hvis der lyder en fejltone, eller maskinen ikke fungerer.

Fejltone og display

Hvis der opstår en fejl, lyder der en fejltone, og der vises et fejlnummer i displayet. Se følgende tabel, og udfør de relevante handlinger. Bed et autoriseret Makita servicecenter om reparation, hvis fejlen opstår igen.

Display	Symptom	Mulig årsag	Løsning
1	Maskinen holder op med at fungere.	Tråden er brugt op.	Isæt ny bindetråd.
		Bindetråd er ikke isat.	Isæt bindetråd.
		Fejl i fremføring af tråd.	Kontroller bindetrådens retning. Tag bindetråden ud, og sæt den i igen. Rengør trådens sti.
2	Maskinen holder op med at fungere.	Snoningsstyret er åbent.	Luk snoningsstyret.
3	Maskinen udfører ikke bindeprocessen i kontinuerlig aktiveringstilstand.	Kontaktpladen sidder fast.	Frigør den fastsiddende kontaktplade.
4	Maskinen starter ikke. Maskinen holder op med at fungere.	Batteriet er afladet. Akkuens temperatur er unormalt høj.	Genoplad batteriet. Lad akkuen køle ned. Udskift akkuen med en, der er opladet.
5	Maskinen holder op med at fungere.	Motoren er overbelastet.	Find årsagen til blokeringen af motorrotationen, og løs problemet.
		Motorfejl	
6	Maskinen holder op med at fungere.	Maskinens temperatur er unormalt høj.	Lad maskinen køle ned.
7	Maskinen starter ikke. Maskinen holder op med at fungere.	Maskinfejl	Bed et autoriseret Makita servicecenter om reparation.

EKSTRAUDSTYR

⚠FORSIGTIG: Det følgende tilbehør og ekstraudstyr er anbefalet til brug med Deres Makita maskine, der er beskrevet i denne brugsanvisning. Anvendelse af andet tilbehør eller ekstraudstyr kan udgøre en risiko for personskade. Anvend kun tilbehør og ekstraudstyr til det beskrevne formål.

Hvis De behøver hjælp ved valg af tilbehør eller ønsker yderligere informationer, bedes De kontakte Deres lokale Makita servicecenter.

- Bindetråd
- Original Makita akku og oplader

BEMÆRK: Nogle ting på denne liste kan være inkluderet i værktøjspakken som standardtilbehør. Det kan være forskellige fra land til land.

ΠΡΟΔΙΑΓΡΑΦΕΣ

Μοντέλο:	DTR180
Σύρμα δεσίματος (Προαιρετικό εξάρτημα)	ø0,8 mm
Διάμετρος ράβδων οπλισμού που μπορούν να δεθούν	Από #3 x #3 έως (#4 x 2) x (#4 x 2) Από 10 mm x 10 mm έως (13 mm x 2) x (13 mm x 2)
Αριθμός δεσιμάτων ανά καρούλι, κατά προσέγγιση	Περίπου 120 δεσίματα
Συνολικό μήκος	304 mm
Ονομαστική τάση	D.C. 14,4/18 V
Καθαρό βάρος	2,3 - 2,6 kg

- Λόγω του συνεχιζόμενου προγράμματος έρευνας και ανάπτυξης, οι προδιαγραφές αυτές υπόκεινται σε αλλαγές χωρίς προειδοποίηση.
- Οι προδιαγραφές και η κασέτα μπαταριών μπορεί να διαφέρουν ανάλογα με τη χώρα.
- Το βάρος μπορεί να διαφέρει ανάλογα με τα προσαρτήματα, συμπεριλαμβάνοντας την κασέτα μπαταριών. Ο ελαφρύτερος και ο βαρύτερος συνδυασμός, σύμφωνα με τη διαδικασία ΕΡΤΑ 01/2014, παρουσιάζονται στον πίνακα.

Ισχύουσα κασέτα μπαταριών και φορτιστής

Κασέτα μπαταρίας	Μοντέλο D.C.14,4 V	BL1415N / BL1430 / BL1430B / BL1440 / BL1450 / BL1460B
	Μοντέλο D.C.18 V	BL1815N / BL1820 / BL1820B / BL1830 / BL1830B / BL1840 / BL1840B / BL1850 / BL1850B / BL1860B
Φορτιστής		DC18RC / DC18RD / DC18RE / DC18SD / DC18SE / DC18SF

- Ορισμένες από τις κασέτες και τους φορτιστές μπαταριών που αναγράφονται παραπάνω ίσως να μην είναι διαθέσιμοι, ανάλογα με την τοποθεσία κατοικίας σας.

⚠ ΠΡΟΕΙΔΟΠΟΙΗΣΗ: Να χρησιμοποιείτε μόνο τις κασέτες μπαταριών και τους φορτιστές που παρατίθενται ανωτέρω. Η χρήση οποιασδήποτε άλλης κασέτας μπαταριών ή φορτιστή μπορεί να προκαλέσει τραυματισμό ή/και πυρκαγιά.

Συνδυασμός ράβδων οπλισμού που μπορούν να δεθούν

Συνδυασμός 2 ράβδων οπλισμού

	#3 (10 mm)	#4 (13 mm)	#5 (16 mm)
#3 (10 mm)	✓	✓	✓
#4 (13 mm)	✓	✓	✓
#5 (16 mm)	✓	✓	✓

Συνδυασμός 3 ράβδων οπλισμού

	#3 x #3 (10 mm x 10 mm)	#4 x #4 (13 mm x 13 mm)
#3 (10 mm)	✓	✓
#4 (13 mm)	✓	✓
#5 (16 mm)	✓	-

Συνδυασμός 4 ράβδων οπλισμού

	#3 x #3 (10 mm x 10 mm)	#4 x #4 (13 mm x 13 mm)
#3 x #3 (10 mm x 10 mm)	✓	✓
#4 x #4 (13 mm x 13 mm)	✓	✓

ΕΙΔΟΠΟΙΗΣΗ: Αν υπάρχει κενό μεταξύ των δύο ράβδων οπλισμού ή αν το εργαλείο χρησιμοποιείται με λανθασμένο προσανατολισμό, οι ράβδοι οπλισμού ίσως να μην είναι δυνατόν να δεθούν.

Σύμβολα

Παρακάτω παρουσιάζονται τα σύμβολα που χρησιμοποιούνται για τον εξοπλισμό. Βεβαιωθείτε ότι κατανοείτε τη σημασία τους πριν από τη χρήση.



Διαβάστε το εγχειρίδιο οδηγιών.



Φοράτε γυαλιά ασφαλείας.



Μην εκθέτετε σε βροχή.



Κρατήστε τα χέρια σας μακριά από το καρούλι σύρματος ή το σύρμα όταν χρησιμοποιείτε το εργαλείο.



Κρατάτε τα χέρια σας μακριά από τη μύτη του εργαλείου.



Ni-MH
Li-Ion

Μόνο για τις χώρες της ΕΕ
Μην απορρίπτετε ηλεκτρικό εξοπλισμό ή την μπαταρία μαζί με τα οικιακά απορρίμματα!

Σύμφωνα με τις Ευρωπαϊκές Οδηγίες για τον απόβλητο ηλεκτρικό και ηλεκτρονικό εξοπλισμό και τις μπαταρίες και συσσωρευτές και τις απόβλητες μπαταρίες και συσσωρευτές και την ενσωμάτωσή τους σύμφωνα με την εθνική νομοθεσία, ο ηλεκτρικός εξοπλισμός και η μπαταρία και τα πακέτα μπαταριών που έχουν φτάσει το τέλος ζωής τους πρέπει να συλλέγονται ξεχωριστά και να επιστρέφονται σε εγκαταστάσεις περιβαλλοντικά συμβατής ανακύκλωσης.

Προβλεπόμενη χρήση

Το εργαλείο προορίζεται για το δέσιμο ράβδων οπλισμού.

Θόρυβος

Το τυπικό Α επίπεδο καταμετρημένου θορύβου καθορίζεται σύμφωνα με το EN60745-2-18 (EN12549): Στάθμη ηχητικής πίεσης (L_{pA}): 78 dB (A)
Αβειβασιότητα (K): 3 dB (A)

Η ένταση θορύβου υπό συνθήκες εργασίας μπορεί να υπερβεί τα 80 dB (A).

▲ΠΡΟΕΙΔΟΠΟΙΗΣΗ: Να φοράτε ωτοασπίδες.

Κραδασμός

Η ολική τιμή δόνησης (άθροισμα τρι-αξονικού διανύσματος) καθορίζεται σύμφωνα με το EN60745-2-18 (ISO8662-11):

Είδος εργασίας: Δέσιμο μεταλλικής ράβδου
Εκπομπή δόνησης (a_{h1}): 2,5 m/s² ή λιγότερο
Αβειβασιότητα (K): 1,5 m/s²

ΠΑΡΑΤΗΡΗΣΗ: Η δηλωμένη τιμή εκπομπής κραδασμών έχει μετρηθεί σύμφωνα με την πρότυπη μέθοδο δοκιμής και μπορεί να χρησιμοποιηθεί για τη σύγκριση ενός εργαλείου με άλλο.

ΠΑΡΑΤΗΡΗΣΗ: Η δηλωμένη τιμή εκπομπής κραδασμών μπορεί να χρησιμοποιηθεί και στην προκαταρκτική αξιολόγηση έκθεσης.

▲ΠΡΟΕΙΔΟΠΟΙΗΣΗ: Η εκπομπή κραδασμών κατά τη χρήση του ηλεκτρικού εργαλείου σε πραγματικές συνθήκες μπορεί να διαφέρει από τη δηλωμένη τιμή εκπομπής ανάλογα με τον τρόπο χρήσης του εργαλείου.

▲ΠΡΟΕΙΔΟΠΟΙΗΣΗ: Φροντίστε να λάβετε τα κατάλληλα μέτρα προστασίας του χειριστή βάσει ενός υπολογισμού της έκθεσης σε πραγματικές συνθήκες χρήσης (λαμβάνοντας υπόψη όλες τις συνιστώσες του κύκλου λειτουργίας όπως τους χρόνους που το εργαλείο είναι εκτός λειτουργίας και όταν βρίσκεται σε αδρανή λειτουργία πέραν του χρόνου ενεργοποίησης).

Δήλωση συμμόρφωσης ΕΚ

Μόνο για χώρες της Ευρώπης

Η δήλωση συμμόρφωσης ΕΚ περιλαμβάνεται ως Παράρτημα Α στο παρόν εγχειρίδιο οδηγιών.

ΠΡΟΕΙΔΟΠΟΙΗΣΕΙΣ ΑΣΦΑΛΕΙΑΣ

Γενικές προειδοποιήσεις ασφαλείας για το ηλεκτρικό εργαλείο

▲ΠΡΟΕΙΔΟΠΟΙΗΣΗ: Διαβάστε όλες τις προειδοποιήσεις ασφάλειας, οδηγίες, εικονογραφήσεις και προδιαγραφές που παρέχονται με αυτό το ηλεκτρικό εργαλείο. Η μη τήρηση όλων των οδηγιών που αναγράφονται κατωτέρω μπορεί να καταλήξει σε ηλεκτροπληξία, πυρκαγιά ή/και σοβαρό τραυματισμό.

Φυλάξτε όλες τις προειδοποιήσεις και τις οδηγίες για μελλοντική παραπομπή.

Στις προειδοποιήσεις, ο όρος «ηλεκτρικό εργαλείο» αναφέρεται σε ηλεκτρικό εργαλείο που τροφοδοτείται από την κύρια παροχή ηλεκτρικού ρεύματος (με ηλεκτρικό καλώδιο) ή σε ηλεκτρικό εργαλείο που τροφοδοτείται από μπαταρία (χωρίς ηλεκτρικό καλώδιο).

Προειδοποιήσεις για την ασφάλεια του φορητού εργαλείου δεσίματος ράβδων οπλισμού

1. Μην στρέφετε ποτέ το εργαλείο προς κάποιο άτομο. Μη βάζετε ποτέ τα χέρια ή τα πόδια σας κοντά στη μύτη του εργαλείου. Αν θέσετε το εργαλείο σε λειτουργία κατά λάθος ενώ αγγίζετε κάποιο, θα προκληθεί απρόσμενο ατύχημα.

2. **Μη φορτώνετε σύρμα ενώ η ισχύς του εργαλείου είναι ενεργοποιημένη.** Διαφορετικά, μπορεί να πισαστείτε στο σύρμα και να τραυματιστείτε.
3. **Μη χρησιμοποιείτε το εργαλείο χωρίς να κλείσετε το κάλυμμα καρουλιού.** Διαφορετικά, το καρούλι σύρματος μπορεί να βγει και να προκληθεί ατύχημα.
4. **Βεβαιωθείτε να ελέγξετε ότι οι διάμετροι των ράβδων οπλισμού που θα δεθούν βρίσκονται εντός της ικανότητας του εργαλείου πριν ξεκινήσετε την εργασία.**
5. **Να φοράτε στενά ρούχα και ρούχα με μανίκια.** **Μην εργάζεστε με πετσότα ή άλλο αντικείμενο τυλιγμένο γύρω από το λαιμό σας.** Διαφορετικά, αυτό μπορεί να πισαστεί στο περιστρεφόμενο μέρος και να προκαλέσει ατύχημα.
6. **Να φροντίζετε να επιθεωρείτε τα ακόλουθα σημεία πριν χρησιμοποιήσετε το εργαλείο.**
 - Ελέγξτε ότι κανένα μέρος δεν είναι κατεστραμμένο
 - Ελέγξτε ότι κανένα μπουλόνι δεν είναι χαλαρό
 - Ελέγξτε ότι οι συσκευές ασφάλειας λειτουργούν κανονικά
7. **Αν βρεθεί οποιαδήποτε ανωμαλία, σταματήστε αμέσως να χρησιμοποιείτε το εργαλείο.** **Μην επισκευάζετε μόνοι σας το εργαλείο.** **Απευθυνθείτε στο τοπικό κέντρο σέρβις της Makita για επισκευή.** Αν το εργαλείο χρησιμοποιείτε ενώ βρίσκεται σε κατάσταση με ελλείψεις, μπορεί να προκληθεί ατύχημα.
8. **Όταν τοποθετείτε την κασέτα μπαταριών, βεβαιωθείτε να κλειδώσετε τη σκανδάλη και να μην τοποθετείτε το δάχτυλό σας στη σκανδάλη.** Η λανθασμένη λειτουργία μπορεί να προκαλέσει ατύχημα.
9. **Όταν δένετε τις ράβδους οπλισμού, προσέχετε πολύ για να μην τις μετακινείτε.** Αν οι ράβδοι οπλισμού μετακινηθούν λόγω του δεσίματος, μπορεί να τραυματιστείτε.
10. **Μην αγγίζετε τα σύρματα κατά τη διαδικασία δεσίματος των συρμάτων.** Διαφορετικά, μπορεί να πισαστείτε στο σύρμα και να τραυματιστείτε.
11. **Μη φέρνετε τα χέρια σας κοντά στο σημείο δεσίματος κατά τη διάρκεια της διαδικασίας δεσίματος των συρμάτων.** Διαφορετικά, μπορεί να πισαστείτε στο σύρμα και να τραυματιστείτε.
12. **Να κρατάτε καλά τη λαβή του εργαλείου κατά τη διάρκεια της διαδικασίας δεσίματος του σύρματος.** Διαφορετικά, ο καρπός σας μπορεί να συστραφεί ή το σώμα σας να τραβηχθεί, γεγονός που μπορεί να έχει ως αποτέλεσμα τραυματισμό.
13. **Μην προχωράτε στο επόμενο σημείο δεσίματος αν δεν έχει ολοκληρωθεί η τρέχουσα διαδικασία δεσίματος σύρματος.** Διαφορετικά, μπορεί να τραυματιστείτε.
14. **Προσέχετε το άκρο του σύρματος κατά τη διάρκεια της διαδικασίας δεσίματος σύρματος.** Διαφορετικά, το χέρι σας μπορεί να πισαστεί από την άκρη του σύρματος και μπορεί να τραυματιστείτε.
15. **Μην αγγίζετε την πλάκα επαφής κατά τη διάρκεια της διαδικασίας δεσίματος σύρματος.** Αν πρέπει να αγγίξετε την πλάκα επαφής, βεβαιωθείτε να κλειδώσετε τη σκανδάλη ή να κλείσετε το διακόπτη λειτουργίας και να αφαιρέσετε την κασέτα μπαταριών. Διαφορετικά, μπορεί να τραυματιστείτε.
16. **Όταν έχετε ολοκληρώσει τη διαδικασία δεσίματος σύρματος, τραβήξτε το εργαλείο κάθετα.** Διαφορετικά, ο βραχίονας μπορεί να πισαστεί στις ράβδους οπλισμού, γεγονός που μπορεί να προκαλέσει ατύχημα.
17. **Προσέχετε να μη ρίξετε κάτω, συγκρούσετε ή χτυπήσετε το εργαλείο.** Αν γίνει ισχυρή σύγκρουση πριν χρησιμοποιηθεί το εργαλείο, βεβαιωθείτε ότι το εργαλείο δεν είναι κατεστραμμένο ή ραγισμένο, και ότι οι συσκευές ασφάλειας λειτουργούν κανονικά. Διαφορετικά, μπορεί να προκληθεί ατύχημα.
18. **Αν συμβεί οποιαδήποτε από τα ακόλουθα φαινόμενα, κλειδώστε τη σκανδάλη, απενεργοποιήστε την ισχύ και αφαιρέστε την κασέτα μπαταριών από το εργαλείο.** Αν το εργαλείο λειτουργεί λανθασμένα, μπορεί να συμβεί ατύχημα.
 - **Αν ακουστεί ήχος λειτουργίας μόλις τοποθετηθεί η κασέτα μπαταριών.**
 - **Αν ανιχνευτεί υπερθέρμανση ή ασυνήθιστες οσμές ή θόρυβοι.**
 - **Όταν λαμβάνετε μέτρα ως απόκριση σε ένδειξη σφάλματος. (Απευθυνθείτε στο τοπικό κέντρο σέρβις της Makita για επισκευή.)**
 - **Όταν φορτώνετε ή εκφορτώνετε το καρούλι σύρματος.**
 - **Όταν κινείστε ενώ κρατάτε το εργαλείο κατά τη διάρκεια της εργασίας.**
 - **Όταν δεν χρησιμοποιείτε το εργαλείο.**
 - **Όταν επιθεωρείτε ή ρυθμίζετε το εργαλείο.**
 - **Όταν αφαιρείτε ένα συστραμμένο σύρμα.**
19. **Όταν εργάζεστε σε σκαλωσιές, πάντα να τις σταθεροποιείτε και να εργάζεστε σε στάση που θα εξασφαλίζει την ισορροπία σας.** Αν η σκαλωσιά δεν είναι σταθερή, μπορεί να συμβεί ατύχημα.
20. **Όταν εργάζεστε σε οροφή ή παρόμοια τοποθεσία, να κινείστε προς τα μπροστά ενώ εργάζεστε για να βλέπετε πού πηγαίνετε.** Αν κινείστε προς τα πίσω ενώ εργάζεστε, μπορεί να χάσετε το βηματισμό σας και να προκληθεί ατύχημα.
21. **Αν εργάζεστε σε μεγάλο ύψος, βεβαιωθείτε ότι δεν βρίσκεται κανείς κάτω σας, και προσέχετε ώστε να μη ρίξετε κάτω κανένα εργαλείο ενώ εργάζεστε.** Αν ρίξετε κάτω το εργαλείο, μπορεί να προκληθεί ατύχημα.
22. **Μη χρησιμοποιείτε το εργαλείο για οποιαδήποτε άλλη εργασία εκτός από το δέσιμο συρμάτων.** Διαφορετικά, μπορεί να προκληθεί ατύχημα.
23. **Να χρησιμοποιείτε πάντα τα γνήσια σύρματα της Makita.** Αν δεν χρησιμοποιείτε τα σύρματα για μεγάλη χρονική περίοδο, αυτά μπορεί να σκουριάσουν. **Μη χρησιμοποιείτε σκουριασμένα σύρματα.** Διαφορετικά, μπορεί να προκληθεί ατύχημα.
24. **Μετά το δέσιμο, ελέγξτε μήπως έσπασε το σύρμα λόγω υπερβολικής συστρόφης.** **Αν σπάσει κάποιο σύρμα, μπορεί να χαθεί η ισχύς δεσίματος.** Προσαρμόστε την ισχύ δεσίματος και δέστε ξανά τις ράβδους οπλισμού.
25. **Τοποθετήστε με ασφάλεια το βραχίονα επάνω στις ράβδους οπλισμού.** Αν δεν τοποθετηθεί με ασφάλεια, μπορεί να δημιουργηθεί μια απόσταση μεταξύ των ράβδων οπλισμού και να μειωθεί η ισχύς δεσίματος.

Σημαντικές οδηγίες ασφάλειας για κασέτα μπαταριών

1. Πριν χρησιμοποιήσετε την κασέτα μπαταριών, διαβάστε όλες τις οδηγίες και σημειώσεις προφύλαξης (1) στον φορτιστή μπαταριών, (2) στην μπαταρία και (3) στο προϊόν που χρησιμοποιεί την μπαταρία.
2. Μην αποσυναρμολογήσετε την κασέτα μπαταριών.
3. Εάν ο χρόνος λειτουργίας έχει γίνει υπερβολικά βραχύς, σταματήστε τη λειτουργία αμέσως. Αλλιώς, μπορεί να έχει ως αποτέλεσμα κίνδυνο υπερθέρμανσης, πιθανά εγκαύματα ή ακόμη και έκρηξη.
4. Εάν ηλεκτρολύτης μπει στα μάτια σας, ξεπλύνετε τα με καθαρό νερό και ζητήστε ιατρική φροντίδα αμέσως. Αλλιώς, μπορεί να έχει ως αποτέλεσμα απώλεια της όρασης σας.
5. Μην βραχυκυκλώνετε την κασέτα μπαταριών:
 - (1) Μην αγγίζετε τους πόλους με σιδήπιτο αγώγιμο υλικό.
 - (2) Αποφεύγετε να αποθηκεύετε την κασέτα μπαταριών μέσα σε ένα δοχείο μαζί με άλλα μεταλλικά αντικείμενα όπως καρφιά, νομίσματα, κλπ.
 - (3) Μην εκθέτετε την κασέτα μπαταριών στο νερό ή στη βροχή.Ένα βραχυκύκλωμα μπαταρίας μπορεί να προκαλέσει μεγάλη ροή ρεύματος, υπερθέρμανση, πιθανά εγκαύματα ακόμη και σοβαρή βλάβη.
6. Μην αποθηκεύετε το εργαλείο και την κασέτα μπαταριών σε τοποθεσίες όπου η θερμοκρασία μπορεί να φτάσει ή να ξεπεράσει τους 50°C.
7. Μην καίτε την κασέτα μπαταριών ακόμη και εάν έχει σοβαρή ζημιά ή είναι εντελώς φθαρμένη. Η κασέτα μπαταριών μπορεί να εκραγεί στη φωτιά.
8. Προσέχετε να μη ρίξετε κάτω ούτε να χτυπήσετε την μπαταρία.
9. Μην χρησιμοποιείτε μπαταρία που έχει υποστεί ζημιά.
10. Οι μπαταρίες ιόντων λιθίου που περιέχονται υπόκεινται στις απαιτήσεις της νομοθεσίας για επικίνδυνα αγαθά.

Για εμπορικές μεταφορές, για παράδειγμα από τρίτα μέρη, πρέπει να τηρούνται οι διαμεταφορές, οι ειδικές απαιτήσεις στη συσκευασία και η επισήμανση. Για προετοιμασία του στοιχείου που αποστέλλεται, είναι απαραίτητο να συμβουλευτείτε έναν ειδικό για επικίνδυνα υλικά. Επίσης, τηρήστε τους πιθανούς, πιο αναλυτικούς εθνικούς κανονισμούς. Καλύψτε με αυτοκόλλητη ταινία ή κρύψτε τις ανοικτές επαφές και συσκευάστε την μπαταρία με τρόπο που να μην μπορεί να μετακινείται μέσα στη συσκευασία.
11. Τηρήστε τους τοπικούς κανονισμούς που σχετίζονται με τη διάθεση της μπαταρίας.
12. Χρησιμοποιήστε τις μπαταρίες μόνο με τα προϊόντα που καθορίζει η Makita. Αν τοποθετήσετε τις μπαταρίες σε μη συμβατά προϊόντα μπορεί να έχει ως αποτέλεσμα πυρκαγιά, υπερβολική θερμότητα, έκρηξη ή διαρροή ηλεκτρολύτη.

ΦΥΛΑΞΤΕ ΤΙΣ ΟΔΗΓΙΕΣ ΑΥΤΕΣ.

▲ΠΡΟΣΟΧΗ: Να χρησιμοποιείτε μόνο γνήσιες μπαταρίες της Makita. Η χρήση μη γνήσιων μπαταριών Makita, ή μπαταριών που έχουν τροποποιηθεί, μπορεί να έχει ως αποτέλεσμα τη ρήξη της μπαταρίας, προκαλώντας πυρκαγιά, προσωπικό τραυματισμό και βλάβη. Επίσης, θα ακυρωθεί η εγγύηση της Makita για το εργαλείο και φορτιστή Makita.

Συμβουλές για τη διατήρηση της μέγιστης ζωής μπαταρίας

1. Φορτίστε την κασέτα μπαταριών πριν από την πλήρη αποφόρτιση της. Πάντοτε να σταματάτε τη λειτουργία του εργαλείου και να φορτίζετε την κασέτα μπαταριών όταν παρατηρείτε μειωμένη ισχύ εργαλείου.
2. Ποτέ μην επαναφορτίσετε μια πλήρως φορτισμένη κασέτα μπαταριών. Η υπερφόρτιση μειώνει την ωφέλιμη ζωή της μπαταρίας.
3. Να φορτίζετε την κασέτα μπαταριών σε θερμοκρασία δωματίου, δηλαδή στους 10°C έως 40°C. Αφήστε μια θερμή κασέτα μπαταριών να κρυώσει πριν την φορτίσετε.
4. Να φορτίζετε την κασέτα μπαταριών εάν δεν τη χρησιμοποιείτε για μεγάλη χρονική περίοδο (περισσότερο από έξι μήνες).

ΠΕΡΙΓΡΑΦΗ ΛΕΙΤΟΥΡΓΙΑΣ

▲ΠΡΟΣΟΧΗ: Να φροντίζετε πάντα το εργαλείο για την απενεργοποίηση του εργαλείου και την αφαίρεση της κασέτας μπαταρίας, πριν από οποιαδήποτε ρύθμιση ή έλεγχο της λειτουργίας του.

Τοποθέτηση ή αφαίρεση της κασέτας μπαταριών

▲ΠΡΟΣΟΧΗ: Να σβήνετε πάντα το εργαλείο πριν τοποθετήσετε ή αφαιρέσετε την κασέτα μπαταριών.

▲ΠΡΟΣΟΧΗ: Κρατήστε το εργαλείο και την κασέτα μπαταριών σταθερά κατά την τοποθέτηση ή αφαίρεση της κασέτας μπαταριών. Εάν δεν κρατάτε το εργαλείο και την κασέτα μπαταριών σταθερά μπορεί να γλιστρήσουν από τα χέρια σας και να προκληθεί βλάβη στο εργαλείο και την κασέτα μπαταριών και προσωπικός τραυματισμός.

► **Εικ. 1:** 1. Κόκκινη ένδειξη 2. Κουμπί 3. Κασέτα μπαταριών

Για να αφαιρέσετε την κασέτα μπαταριών, ολισθήστε την από το εργαλείο ενώ σύρετε το κουμπί στο μπροστινό μέρος της κασέτας.

Για να τοποθετήσετε την κασέτα μπαταριών, ευθυγραμμίστε τη γλώσσα στην κασέτα μπαταριών με την αύλακα στην υποδοχή και ολισθήστε τη στη θέση της. Να την τοποθετείτε πλήρως μέχρι να ασφαλίσει στη θέση της, γεγονός που υποδεικνύεται με ένα χαρακτηριστικό ήχο. Εάν μπορείτε να δείτε την κόκκινη ένδειξη στην επάνω πλευρά του κουμπιού, δεν έχει κλειδώσει τελείως.

⚠️ ΠΡΟΣΟΧΗ: Να τοποθετείτε πάντα την κασέτα μπαταριών πλήρως μέχρι να μη βλέπετε την κόκκινη ένδειξη. Εάν δεν ασφαλιστεί, μπορεί να πέσει από το εργαλείο τυχαία, προκαλώντας σωματική βλάβη σε εσάς ή κάποιον άλλο γύρω σας.

⚠️ ΠΡΟΣΟΧΗ: Μην τοποθετείτε την κασέτα μπαταριών με βία. Εάν η κασέτα δεν ολισθαίνει με ευκολία, τότε δεν έχει τοποθετηθεί κατάλληλα.

Εμφάνιση υπολειπόμενης χωρητικότητας μπαταρίας

Μόνο για κασέτες μπαταρίας με την ενδεικτική λυχνία

► **Εικ.2:** 1. Ενδεικτικές λυχνίες 2. Κουμπί ελέγχου

Πίστετε το κουμπί ελέγχου στην κασέτα μπαταριών για να υποδείξετε την υπολειπόμενη χωρητικότητα μπαταρίας. Οι ενδεικτικές λυχνίες ανάβουν για λίγα δευτερόλεπτα.

Ενδεικτικές λυχνίες			Υπολειπόμενη χωρητικότητα
Αναμμένες	Σβηστές	Αναβοσβήνουν	
■ ■ ■ ■	□ □ □ □	▧	75% έως 100%
■ ■ ■ □	□ □ □ □	▧	50% έως 75%
■ ■ □ □	□ □ □ □	▧	25% έως 50%
■ □ □ □	□ □ □ □	▧	0% έως 25%
▧ □ □ □	□ □ □ □	▧	Φορτίστε την μπαταρία.
■ ■ □ □	□ □ □ □	▧	Μπορεί να προέκυψε δυσλειτουργία στην μπαταρία.
□ □ ■ ■	□ □ □ □	▧	

ΠΑΡΑΤΗΡΗΣΗ: Ανάλογα με τις συνθήκες χρήσης και τη θερμοκρασία περιβάλλοντος, η ένδειξη μπορεί να διαφέρει λίγο από την πραγματική χωρητικότητα.

Σύστημα προστασίας εργαλείου/ μπαταρίας

Το εργαλείο είναι εξοπλισμένο με σύστημα προστασίας εργαλείου/μπαταρίας. Αυτό το σύστημα αποκόπτει αυτόματα την ισχύ προς το μοτέρ για να παραταθεί η διάρκεια λειτουργίας του εργαλείου και της μπαταρίας. Το εργαλείο σταματάει αυτόματα κατά τη διάρκεια της λειτουργίας εάν το εργαλείο ή η μπαταρία βρεθούν κάτω από τις παρακάτω συνθήκες:

Προστασία υπερφόρτωσης

Όταν η μπαταρία λειτουργεί με τρόπο που προκαλεί την κατανάλωση ενός ασυνήθιστα υψηλού ηλεκτρικού ρεύματος, το εργαλείο σταματά αυτόματα και εμφανίζεται ο αντίστοιχος αριθμός σφάλματος στον πίνακα ενδείξεων. Σε αυτή την περίπτωση, απενεργοποιήστε το εργαλείο και διακόψτε την εφαρμογή που προκάλεσε την υπερφόρτωση του εργαλείου. Μετά, ενεργοποιήστε το εργαλείο για επανεκκίνηση.

Προστασία υπερθέρμανσης

Όταν το εργαλείο ή η μπαταρία υπερθερμανθεί, η λειτουργία του εργαλείου σταματά αυτόματα και εμφανίζεται ο αντίστοιχος αριθμός σφάλματος στον πίνακα ενδείξεων. Σε αυτή την περίπτωση, αφήστε το εργαλείο και την μπαταρία να κρυώσουν πριν ενεργοποιήσετε ξανά το εργαλείο.

Προστασία υπερβολικής αποφόρτισης

Όταν η χωρητικότητα μπαταρίας δεν επαρκεί, το εργαλείο σταματά αυτόματα και εμφανίζεται ο αντίστοιχος αριθμός σφάλματος στον πίνακα ενδείξεων. Σε αυτή την περίπτωση, βγάλτε την μπαταρία από το εργαλείο και φορτίστε την μπαταρία.

Διακόπτης κύριας λειτουργίας

⚠️ ΠΡΟΣΟΧΗ: Όταν ενεργοποιείτε την ισχύ, μη φέρετε ποτέ τα άκρα ή το πρόσωπό σας κοντά στα δεσμευτικά ή περιστρεφόμενα μέρη της μύτης του εργαλείου. Διαφορετικά, μπορεί να τραυματιστείτε.

⚠️ ΠΡΟΣΟΧΗ: Όταν η ισχύς ενεργοποιηθεί, μην αγγίζετε ποτέ τα δεσμευτικά ή περιστρεφόμενα μέρη της μύτης του εργαλείου. Διαφορετικά, μπορεί να τραυματιστείτε.

⚠️ ΠΡΟΣΟΧΗ: Πριν εισαγάγετε την κασέτα μπαταριών, βεβαιωθείτε να αφήσετε τα δάχτυλά σας από τη σκανδάλη διακόπτη και να κλειδώσετε τη σκανδάλη. Αν εισαγάγετε την κασέτα μπαταριών ενώ τραβάτε τη σκανδάλη διακόπτη, μπορεί να προκληθεί ατύχημα αν συμβεί κατά λάθος η διαδικασία δεσίματος σύρματος.

► **Εικ.3**

Όταν πατάτε το κουμπί λειτουργίας, η ισχύς ενεργοποιείται και η λυχνία τρόπου λειτουργίας δεσίματος ανάβει. Προκειμένου να ρυθμιστεί το εργαλείο στην αρχική θέση του, αυτό λειτουργεί προσωρινά. Όταν ολοκληρωθεί η ρύθμιση, το εργαλείο σταματά αυτόματα. Όταν πατήσετε ξανά το κουμπί λειτουργίας, η ισχύς απενεργοποιείται και η λυχνία τρόπου λειτουργίας δεσίματος σβήνει.

► **Εικ.4:** 1. Λυχνία τρόπου λειτουργίας δεσίματος 2. Κουμπί λειτουργίας

ΠΑΡΑΤΗΡΗΣΗ: Το εργαλείο διαθέτει λειτουργία αυτόματης απενεργοποίησης. Αν δεν τραβήξετε τη σκανδάλη διακόπτη για 10 λεπτά, το εργαλείο σβήνει αυτόματα για να μειωθεί η κατανάλωση ισχύος της μπαταρίας.

ΠΑΡΑΤΗΡΗΣΗ: Για να εκκινηθεί ξανά το εργαλείο, ενεργοποιήστε ξανά την ισχύ.


Κουμπί αλλαγής τρόπου λειτουργίας

Όταν η ισχύς ενεργοποιείται και η λυχνία τρόπου λειτουργίας δεσίματος ανάβει, μπορείτε να επιλέξετε τον τρόπο λειτουργίας μόνης ενεργοποίησης ή τον τρόπο λειτουργίας συνεχόμενης ενεργοποίησης μέσω του κουμπιού αλλαγής τρόπου λειτουργίας. Όταν ενεργοποιήσετε ξανά την ισχύ, το εργαλείο εκκινείται στον τρόπο λειτουργίας που είχε επιλεγεί πιο πρόσφατα.

► **Εικ.5:** 1. Κουμπί αλλαγής τρόπου λειτουργίας 2. Τρόπος λειτουργίας μόνης ενεργοποίησης 3. Τρόπος λειτουργίας συνεχόμενης ενεργοποίησης

Δράση διακόπτη

▲ ΠΡΟΕΙΔΟΠΟΙΗΣΗ: Πριν βάλετε την κασέτα μπαταρίας μέσα στο εργαλείο, να ελέγχετε πάντα να δείτε αν η σκανδάλη διακόπτης ενεργοποιείται κανονικά και επιστρέφει στη θέση «OFF» όταν ελευθερώνεται.

▲ ΠΡΟΣΟΧΗ: Όταν δεν χειρίζεστε το εργαλείο, πιέστε το κουμπί ασφάλειας σκανδάλης προς την πλευρά  για να κλειδώσετε τη σκανδάλη διακόπτη στη θέση απενεργοποίησης.

► **Εικ.6:** 1. Σκανδάλη διακόπτης 2. Κουμπί ασφάλειας σκανδάλης

Για να αποφευχθεί τυχόν ακούσιο τράβηγμα της σκανδάλης διακόπτη, παρέχεται το κουμπί ασφάλειας σκανδάλης. Για να θέσετε σε λειτουργία το εργαλείο, πιέστε το κουμπί ασφάλειας σκανδάλης προς την πλευρά Α και τράβηξτε τη σκανδάλη διακόπτη. Αφήστε τη σκανδάλη διακόπτη για να το απενεργοποιήσετε. Μετά τη χρήση, πιέστε το κουμπί ασφάλειας σκανδάλης προς την πλευρά Β.

Όταν τραβάτε τη σκανδάλη διακόπτη, το εργαλείο εκτελεί τις επόμενες ακολουθιακές λειτουργίες όπως περιγράφεται στη συνέχεια και το εργαλείο σταματά αυτόματα.

1. Τροφοδοτήστε το σύρμα.
2. Κόψτε το σύρμα.
3. Ο γάντζος συγκρατεί και συστρέφει το σύρμα.
4. Ο γάντζος επιστρέφει στην αρχική θέση.

Ρύθμιση ισχύος δεσίματος

▲ ΠΡΟΣΟΧΗ: Φροντίστε να κλειδώσετε τη σκανδάλη πριν ξεκινήσετε τη ρύθμιση. Όταν ενεργοποιείτε την ισχύ, μη φέρνετε ποτέ τα άκρα ή το πρόσωπό σας κοντά στα δεσμευτικά ή περιστρεφόμενα μέρη της μύτης του εργαλείου. Διαφορετικά, μπορεί να τραυματιστείτε.

► **Εικ.7**

Μπορείτε να ρυθμίσετε την ισχύ δεσίματος με το κουμπί ρύθμισης ισχύος δεσίματος. Η ισχύς δεσίματος εμφανίζεται στον πίνακα ενδείξεων.

► **Εικ.8:** 1. Κουμπί ρύθμισης ισχύος δεσίματος 2. Πίνακας ενδείξεων

Αν το σύρμα σπάσει, η ισχύς δεσίματος θα χαθεί. Μετά το δέσιμο, ελέγξτε αν έχει σπάσει το συστραμένο τμήμα. Αν το σύρμα σπάσει, προσαρμόστε την ισχύ δεσίματος χρησιμοποιώντας το κουμπί ρύθμισης ισχύος δεσίματος και δέστε ξανά τις ράβδους οπλισμού.

Ειδοποίηση υπόλειπης μπαταρίας

Όταν η τάση μπαταρίας μειωθεί κάτω από το απαιτούμενο επίπεδο, το εργαλείο θα σταματήσει να λειτουργεί, ένας τόνος σφάλματος θα ηχησει και ο αριθμός «4» θα εμφανιστεί στον πίνακα ενδείξεων. Ο τόνος σφάλματος θα συνεχίσει να ηχεί μέχρι να απενεργοποιηθεί η ισχύς.

ΠΑΡΑΤΗΡΗΣΗ: Αν η θερμοκρασία περιβάλλοντος είναι εξαιρετικά χαμηλή, ο τόνος σφάλματος μπορεί να ηχησει ακόμη και όταν η μπαταρία διαθέτει επαρκή ισχύ.

ΣΥΝΑΡΜΟΛΟΓΗΣΗ

▲ ΠΡΟΣΟΧΗ: Να βεβαιώνετε πάντα ότι το εργαλείο είναι σβηστό και η κασέτα μπαταρίας έχει αφαιρεθεί πριν εκτελέσετε κάποια εργασία στο εργαλείο.

Φόρτωση του σύρματος δεσίματος (καρούλι σύρματος)

▲ ΠΡΟΣΟΧΗ: Πριν προσαρτήσετε ή αφαιρέσετε τα σύρματα δεσίματος ή τα εξαρτήματα, βεβαιωθείτε να απενεργοποιήσετε την ισχύ, να κλειδώσετε τη σκανδάλη και να αφαιρέσετε την κασέτα μπαταριών. Αν δεν τηρήσετε αυτή τη οδηγία, μπορεί να προκληθεί ατύχημα.

ΕΙΔΟΠΟΙΗΣΗ: Αν χρησιμοποιήσετε σύρματα διαφορετικά από τα γνήσια σύρματα δεσίματος της Makita (ανοπτημένα σύρματα), μπορεί να προκληθεί δυσλειτουργία του εργαλείου.

1. Ωθήστε το μοχλό ελευθέρωσης και κλειδώστε τον με το μοχλό κλειδώματος.

► **Εικ.9:** 1. Μοχλός ελευθέρωσης 2. Μοχλός κλειδώματος

Όταν ωθείτε το μοχλό ελευθέρωσης, δημιουργείτε κενό μεταξύ του αριστερού και δεξιού γραναζιού τροφοδότησης.

► **Εικ.10:** 1. Μοχλός ελευθέρωσης 2. Μοχλός κλειδώματος 3. Γρανάζια τροφοδότησης

2. Βγάλτε την ταινία που συγκρατεί το σύρμα και τραβήξτε το άκρο του σύρματος προς τα έξω.

► **Εικ.11:** 1. Ταινία 2. Άκρο σύρματος

3. Ανοίξτε το κάλυμμα καρούλιου.

► **Εικ.12:** 1. Κάλυμμα καρούλιου

4. Προσαρτήστε το καρούλι σύρματος στο εργαλείο με τον προσανατολισμό που απεικονίζεται στην εικόνα.

► **Εικ.13:** 1. Καρούλι σύρματος

ΕΙΔΟΠΟΙΗΣΗ: Βεβαιωθείτε να προσαρτήσετε το καρούλι σύρματος με τον προσανατολισμό που απεικονίζεται στην εικόνα. Αν προσαρτηθεί ανάποδα, το σύρμα θα ελευθερωθεί και μπορεί να συστραφεί.

5. Ισιώστε το άκρο του σύρματος και περάστε το σύρμα μέσα από τον οδηγό.

► **Εικ.14:** 1. Οδηγός

ΠΑΡΑΤΗΡΗΣΗ: Αν το άκρο του σύρματος είναι λυγισμένο όταν περάσει μέσα από τον οδηγό, το σύρμα μπορεί να εμπλακεί στο εργαλείο.

ΠΑΡΑΤΗΡΗΣΗ: Αν προσπαθήσετε να περάσετε το σύρμα μέσα από τον οδηγό με βία, το σύρμα μπορεί να εμπλακεί.

6. Τραβήξτε το σύρμα περίπου 10 mm από τη μύτη του βραχίονα.

► **Εικ.15:** 1. Βραχίονας 2. Περίπου 10 mm

ΕΙΔΟΠΟΙΗΣΗ: Αν το μήκος του σύρματος που έχει τραβηχτεί έξω δεν είναι αρκετό, το σύρμα μπορεί να σπάσει όταν δεθεί ή η ισχύς δεσίματος μπορεί να μειωθεί λόγω ανεπαρκών περιελίξεων.

7. Αφαιρέστε όλη την ταινία που συγκρατεί το σύρμα.

► **Εικ.16**

8. Τυλίξτε ξανά το σύρμα για να φύγει το μπόσικο.

► **Εικ.17**

9. Απελευθερώστε το μοχλό κλειδώματος. Ο μοχλός ελευθέρωσης επιστρέφει και το σύρμα κρατείται από το αριστερό και δεξί γρανάζι.

► **Εικ.18:** 1. Μοχλός ελευθέρωσης 2. Μοχλός κλειδώματος

► **Εικ.19:** 1. Γρανάζι 2. Διαδρομή σύρματος 3. Σύρμα

ΕΙΔΟΠΟΙΗΣΗ: Όταν ο μοχλός κλειδώματος ελευθερωθεί και όταν το αριστερό και δεξί γρανάζι αλληλοσυνδεθούν, οι εγκοπές στα γρανάζια σχηματίζουν ένα χώρο. Αυτός ο χώρος γίνεται η διαδρομή για το σύρμα. Βεβαιωθείτε ότι το σύρμα έχει περάσει από τη διαδρομή του.

10. Κλείστε το κάλυμμα καρουλιού.

► **Εικ.20:** 1. Κάλυμμα καρουλιού

ΛΕΙΤΟΥΡΓΙΑ

Έλεγχος πριν την εργασία

ΠΡΟΣΟΧΗ: Αν το εργαλείο έχει ένα πρόβλημα που σχετίζεται με το μηχανισμό ασφάλειας, μην το χρησιμοποιήσετε. Αν συνεχίσετε να το χρησιμοποιείτε, μπορεί να συμβεί ατύχημα.

Πριν χρησιμοποιήσετε το εργαλείο, βεβαιωθείτε ότι ο μηχανισμός ασφάλειας λειτουργεί κανονικά. Αν το εργαλείο λειτουργεί χωρίς να λειτουργεί και ο μηχανισμός ασφάλειας, σταματήστε αμέσως να χρησιμοποιείτε το εργαλείο. Απευθυνθείτε στο τοπικό κέντρο σέρβις της Makita για επισκευή.

Έλεγχος του κλειδώματος σκανδάλης

Το εργαλείο διαθέτει ένα κλειδίωμα σκανδάλης για να μη λειτουργεί όταν δεν σκοπεύετε να το χρησιμοποιήσετε. Κλειδώστε τη σκανδάλη και βεβαιωθείτε ότι η σκανδάλη διακόπτης δεν μπορεί να τραβηχτεί.

Έλεγχος του οδηγού κύρτωσης

Για να μην αγγίζει ο χειριστής τα δεσμευτικά ή περιστρεφόμενα μέρη της μύτης του εργαλείου κατά λάθος, το εργαλείο δεν θα λειτουργεί ακόμη κι αν τραβηχθεί η σκανδάλη διακόπτης ενώ ο οδηγός κύρτωσης είναι ανοικτός. Όταν ο χειριστής αφήνει το δάχτυλό του από τη σκανδάλη διακόπτης και κλείσει τον οδηγό κύρτωσης, το εργαλείο μπορεί να τεθεί σε λειτουργία.

► **Εικ.21:** 1. Οδηγός κύρτωσης

Εξονυχιστικός έλεγχος για ανίχνευση ανοίγματος/κλεισίματος οδηγού κύρτωσης

Αφαιρέστε το σύρμα δεσίματος, ελέγξτε τη λειτουργία του εργαλείου σύμφωνα με τα ακόλουθα βήματα και βεβαιωθείτε ότι το εργαλείο δεν ξεκινά όταν ο οδηγός κύρτωσης είναι ανοικτός.

1. Απενεργοποιήστε την ισχύ και αφήστε τον οδηγό κύρτωσης ανοικτό.

2. Ενεργοποιήστε την ισχύ.

Αν το εργαλείο δεν λειτουργεί και αν η τιμή «2» εμφανίζεται στον πίνακα ενδείξεων, η κατάσταση του εργαλείου είναι κανονική. Απενεργοποιήστε την ισχύ και κλείστε τον οδηγό κύρτωσης.

Αν το εργαλείο λειτουργεί και δεν εμφανίζεται σφάλμα στον πίνακα ενδείξεων, η κατάσταση του εργαλείου δεν είναι κανονική. Διακόψτε αμέσως τη λειτουργία του εργαλείου και απευθυνθείτε στο τοπικό κέντρο σέρβις της Makita για επισκευή.

ΠΡΟΣΟΧΗ: Αν ανοίξετε τον οδηγό κύρτωσης και ενεργοποιήσετε την ισχύ για να ελέγξετε την αλληλασφάλιση, κρατήστε τον οδηγό κύρτωσης όπως απεικονίζεται στην εικόνα. Μη φέρνετε ποτέ τα άκρα ή το πρόσωπό σας κοντά στα δεσμευτικά ή περιστρεφόμενα μέρη της μύτης του εργαλείου. Διαφορετικά, μπορεί να τραυματιστείτε.

► **Εικ.22**

Εργασία δεσίματος

ΠΡΟΣΟΧΗ: Πριν εισαγάγετε την κασέτα μπαταριών, βεβαιωθείτε να αφήσετε τα δάχτυλά σας από τη σκανδάλη διακόπτη και να κλειδώσετε τη σκανδάλη. Αν εισαγάγετε την κασέτα μπαταριών ενώ τραβάτε τη σκανδάλη διακόπτη, μπορεί να προκληθεί ατύχημα αν συμβεί κατά λάθος η διαδικασία δεσίματος σύρματος.

ΠΡΟΣΟΧΗ: Όταν ενεργοποιείτε την ισχύ, μη φέρνετε ποτέ τα άκρα ή το πρόσωπό σας κοντά στα δεσμευτικά ή περιστρεφόμενα μέρη της μύτης του εργαλείου. Διαφορετικά, μπορεί να τραυματιστείτε.

ΠΡΟΣΟΧΗ: Όταν η ισχύς ενεργοποιηθεί, μην αγγίζετε ποτέ τα δεσμευτικά ή περιστρεφόμενα μέρη της μύτης του εργαλείου. Διαφορετικά, μπορεί να τραυματιστείτε.

► **Εικ.23**

Προετοιμασία πριν από την εργασία

1. Βεβαιωθείτε ότι η κασέτα μπαταριών έχει αφαιρεθεί και η σκανδάλη είναι κλειδωμένη.

2. Εισαγάγετε την κασέτα μπαταριών στο εργαλείο και ενεργοποιήστε την ισχύ. Όταν ενεργοποιήσετε την ισχύ, το σύρμα κόβεται αυτόματα.

ΕΙΔΟΠΟΙΗΣΗ: Βεβαιωθείτε ότι η λυχνία τρόπου λειτουργίας δεσίματος ανάβει όταν η ισχύς ενεργοποιείται. Αν δεν ανάβει, επαναφορτίστε την μπαταρία.

3. Απελευθερώστε το κλειδίωμα σκανδάλης.

► **Εικ.24:** 1. Κουμπί κλειδώματος σκανδάλης 2. Σκανδάλη διακόπτης 3. Κουμπί λειτουργίας 4. Λυχνία τρόπου λειτουργίας δεσίματος

Τρόπος λειτουργίας μονής ενεργοποίησης

1. Ωθήστε το βραχίονα με ασφάλεια επάνω στο σημείο δεσίματος. Ωθήστε το εργαλείο κάθετα επάνω στις ράβδους οπλισμού και πιέστε το βραχίονα επάνω στο σημείο όπου οι ράβδοι οπλισμού διασταυρώνονται με γωνία 45 μοιρών.

► **Εικ.25**

2. Τραβήξτε τη σκανδάλη διακόπτη μία φορά.

3. Το σύρμα τροφοδοτείται και κόβεται αυτόματα.

4. Ο γάντζος συγκρατεί και συστρέφει το σύρμα, μετά επιστρέφει στην αρχική θέση αφού δεθούν τα σύρματα.

► **Εικ.26**

5. Μετά το δέσιμο, προσέχετε να μη γαντζώσετε το βραχίονα στις ράβδους οπλισμού και τραβήξτε το εργαλείο προς τα πάνω.

▲ ΠΡΟΣΟΧΗ: Αν το σύρμα έχει προσκολληθεί στο δεσμευτικό μέρος της μύτες του εργαλείου, απενεργοποιήστε την ισχύ του εργαλείου. Κλειδώστε τη σκανδάλη, αφαιρέστε την κασέτα μπαταριών και αφαιρέστε το σύρμα με τη βοήθεια ενός εργαλείου όπως τσιμπίδα ή πένσα.

► **Εικ.27**

Τρόπος λειτουργίας συνεχόμενης ενεργοποίησης

1. Αλλάξτε τον τρόπο λειτουργίας του εργαλείου από τον τρόπο λειτουργίας μονής ενεργοποίησης στον τρόπο λειτουργίας συνεχόμενης ενεργοποίησης μέσω του κουμπιού αλλαγής τρόπου λειτουργίας.

► **Εικ.28:** 1. Κουμπί αλλαγής τρόπου λειτουργίας

2. Απελευθερώστε το κλειδί σκανδάλης.

3. Ενώ τραβάτε τη σκανδάλη διακόπτη, ωθήστε το εργαλείο κάθετα επάνω στις ράβδους οπλισμού και πιέστε το βραχίονα επάνω στο σημείο όπου οι ράβδοι οπλισμού διασταυρώνονται με γωνία 45 μοιρών. Πιέστε την πλάκα επαφής καλά επάνω στο σημείο δεσίματος. Το σύρμα θα δεθεί.

► **Εικ.29:** 1. Πλάκα επαφής

4. Μετά το δέσιμο, προσέχετε να μη γαντζώσετε το βραχίονα στις ράβδους οπλισμού και τραβήξτε το εργαλείο προς τα πάνω.

► **Εικ.30**

Επισημάνσεις προσοχής για την εργασία

- Αν μετακινήσετε το βραχίονα από τη θέση δεσίματος κατά τη διαδικασία δεσίματος σύρματος, το σύρμα θα κολλήσει στο γάντζο, γεγονός που μπορεί να οδηγήσει σε λανθασμένο δέσιμο.
- Συνεχίστε να πιέζετε το εργαλείο επάνω στις ράβδους οπλισμού μέχρι να ολοκληρωθεί η διαδικασία δεσίματος σύρματος.
- Μην προχωράτε στο επόμενο σημείο δεσίματος αν δεν έχει ολοκληρωθεί η τρέχουσα διαδικασία δεσίματος σύρματος.
- Το περιστρεφόμενο μέρος της μύτες εργαλείου (γάντζος) συστρέφει το σύρμα κατά τη διάρκεια της διαδικασίας δεσίματος σύρματος. Κρατήστε καλά τη λαβή ώστε το σώμα σας να μην τραβηχτεί από το εργαλείο.
- Μην αγγίζετε τα σύρματα κατά τη διαδικασία δεσίματος των συρμάτων.

- Αν επαναλαμβάνετε τις διαδικασίες δεσίματος σύρματος στον τρόπο λειτουργίας μονής ενεργοποίησης, αφήστε εντελώς το δάκτυλό σας από τη σκανδάλη διακόπτη. Στη συνέχεια, συνεχίστε τη λειτουργία της σκανδάλης διακόπτη.
- Αν τραβήξετε τη σκανδάλη διακόπτη όταν δεν υπάρχει άλλο σύρμα δεσίματος, εμφανίζεται ένα σφάλμα. Τοποθετήστε καινούριο σύρμα δεσίματος και επανεκκινήστε το εργαλείο.

Μύτες δεσίματος

- Γείρετε το εργαλείο σε γωνία 45° ως προς τις διασταυρούμενες ράβδους οπλισμού και δέστε εναλλάξ όπως απεικονίζεται στην εικόνα.

► **Εικ.31**

- Αποφεύγετε τα διογκωμένα τμήματα των ράβδων οπλισμού.

► **Εικ.32**

- Αν η ισχύς δεσίματος δεν επαρκεί, αλλάξτε τον προανατολισμό δεσίματος και εκτελέστε το δέσιμο δύο φορές ώστε να αυξηθεί η ισχύς δεσίματος.

► **Εικ.33**

ΕΙΔΟΠΟΙΗΣΗ: Όταν κάνετε δεύτερο δέσιμο, κάρψτε το άκρο του πρώτου δεσίματος πριν κάνετε το δεύτερο δέσιμο. Διαφορετικά, το σύρμα μπορεί να απορριφθεί για δεύτερη φορά. Μπορεί να προσκολληθεί στη μύτη του εργαλείου και ο γάντζος να καταστραφεί.

Αντικατάσταση των συρμάτων δεσίματος

▲ ΠΡΟΣΟΧΗ: Όταν αντικαθιστάτε το σύρμα, βεβαιωθείτε να απενεργοποιήσετε την ισχύ, να κλειδώσετε τη σκανδάλη και να αφαιρέσετε την κασέτα μπαταριών. Αν δεν τηρήσετε αυτή την οδηγία, μπορεί να προκληθεί ατύχημα.

1. Όταν το σύρμα έχει χρησιμοποιηθεί όλο, θα παραχθεί ένας τόνος σφάλματος και θα εμφανιστεί το σφάλμα «1».
2. Κλειδώστε τη σκανδάλη, απενεργοποιήστε την ισχύ και βγάλτε την κασέτα μπαταριών.
3. Ωθήστε το μοχλό ελευθέρωσης και κλειδώστε τον με το μοχλό κλειδώματος.
- **Εικ.34:** 1. Μοχλός ελευθέρωσης 2. Μοχλός κλειδώματος
4. Αφαιρέστε το καρούλι σύρματος από το εργαλείο.

ΠΑΡΑΤΗΡΗΣΗ: Όταν το σύρμα έχει χρησιμοποιηθεί όλο κανονικά, παραμένουν περίπου 20 cm σύρματος τυλιγμένα στο καρούλι. Σε αυτή την κατάσταση, αντικαταστήστε το καρούλι σύρματος με ένα καινούριο.

Αν είναι δύσκολο να αφαιρέσετε το καρούλι σύρματος από το εργαλείο, ακολουθήστε τα παρακάτω βήματα.

1. Εισαγάγετε την κασέτα μπαταριών στο εργαλείο και ενεργοποιήστε την ισχύ. Το εργαλείο τροφοδοτεί το σύρμα και το κόβει αυτόματα.
2. Κλειδώστε τη σκανδάλη, απενεργοποιήστε την ισχύ και βγάλτε την κασέτα μπαταριών.
3. Αφαιρέστε τα σπασίματα σύρματος χρησιμοποιώντας εργαλεία όπως τσιμπίδα ή πένσα.

ΣΥΝΤΗΡΗΣΗ

▲ ΠΡΟΣΟΧΗ: Πριν την εκτέλεση εργασιών επιθεώρησης ή συντήρησης, πάντοτε να βεβαιώνετε ότι η συσκευή απενεργοποιήθηκε και η κασέτα μπαταριών έχει αφαιρεθεί.

ΕΙΔΟΠΟΙΗΣΗ: Μην χρησιμοποιείτε ποτέ βενζίνη, πετρελαϊκό αιθέρα, διαλυτικό, αλκοόλη ή παρόμοιες ουσίες. Μπορεί να προκληθεί αποχρωματισμός, παραμόρφωση ή ρωγμές.

Για τη διατήρηση της ΑΣΦΑΛΕΙΑΣ και ΑΞΙΟΠΙΣΤΙΑΣ του προϊόντος, οι επισκευές και οποιαδήποτε άλλη εργασία συντήρησης ή ρύθμισης πρέπει να εκτελούνται από εξουσιοδοτημένα ή εργοστασιακά κέντρα εξυπηρέτησης της Makita, χρησιμοποιώντας πάντοτε ανταλλακτικά της Makita.

Αποθήκευση του εξαγωνικού κλειδιού

Αποθηκεύστε το εξαγωνικό κλειδί στη θέση που απεικονίζεται στην εικόνα.

► **Εικ.35:** 1. Εξαγωνικό κλειδί

Καθαρισμός του κόφτη

Όταν το εργαλείο χρησιμοποιείται για μεγάλη χρονική περίοδο, μπορεί να προσκολληθεί σκόνη και σωματίδια σύρματος στο τμήμα του κόφτη. Σε αυτή την περίπτωση, αποσυναρμολογήστε και καθαρίστε το κόφτη σύμφωνα με την ακόλουθη διαδικασία.

Αν ένα σύρμα πιαστεί στο τμήμα κόφτη, το σύρμα μπορεί να αφαιρεθεί ακολουθώντας την ίδια διαδικασία.

Αποσυναρμολόγηση και καθαρισμός

1. Χαλαρώστε τα μπουλόνια Α και Β χρησιμοποιώντας το εξαγωνικό κλειδί που περιλαμβάνεται στη συσκευασία του εργαλείου.

► **Εικ.36:** 1. Μπουλόνι Α 2. Μπουλόνι Β 3. Κάλυμμα της πλάκας επαφής 4. Οδηγός σύρματος Β

ΕΙΔΟΠΟΙΗΣΗ: Μην αφαιρείτε με βία οποιαδήποτε μπουλόνια που δεν μπορείτε να αφαιρέσετε με το εξαγωνικό κλειδί.

2. Τραβήξτε το κάλυμμα της πλάκας επαφής προς την κατεύθυνση του βέλους και αφαιρέστε το. Το μπουλόνι Β θα αφαιρεθεί ταυτόχρονα.

► **Εικ.37:** 1. Κάλυμμα της πλάκας επαφής
2. Μπουλόνι Β

3. Αφαιρέστε το μπουλόνι Α και αφαιρέστε τον οδηγό σύρματος Β.

► **Εικ.38:** 1. Μπουλόνι Α 2. Οδηγός σύρματος Β

4. Γυρίστε ανάποδα τον οδηγό σύρματος Β και καθαρίστε το εσωτερικό του.

► **Εικ.39**

5. Αφαιρέστε τον κόφτη Α, τον κόφτη Β, την άνω πλάκα και το βραχίονα σύνδεσης Α από την πλάκα βραχίονα Α. Μετά, καθαρίστε τα.

► **Εικ.40:** 1. Κόφτης Β 2. Βραχίονας σύνδεσης Α
3. Κόφτης Α 4. Πλάκα βραχίονα Α 5. Άνω πλάκα

Συναρμολόγηση

Όταν ολοκληρωθεί ο καθαρισμός, συναρμολογήστε τα μέρη σύμφωνα με την ακόλουθη διαδικασία.

1. Τοποθετήστε τον κόφτη Α και το βραχίονα σύνδεσης Α ώστε να ταιριάζουν στο σχήμα της πλάκας βραχίονα Α.

► **Εικ.41:** 1. Κόφτης Α 2. Βραχίονας σύνδεσης Α
3. Πλάκα βραχίονα Α

2. Τοποθετήστε τον κόφτη Β και την άνω πλάκα στην πλάκα βραχίονα Α.
(Τοποθετήστε τον κόφτη Β στον κόφτη Α και το βραχίονα σύνδεσης Α.)

► **Εικ.42:** 1. Κόφτης Β 2. Άνω πλάκα 3. Πλάκα βραχίονα Α 4. Κόφτης Α 5. Βραχίονας σύνδεσης Α

ΕΙΔΟΠΟΙΗΣΗ: Στρέψτε την προεξοχή του κόφτη Β προς τα κάτω και τοποθετήστε τον κόφτη όπως απεικονίζεται στην εικόνα.

3. Ευθυγραμμίστε το σωλήνα του εργαλείου με την εγκοπή στο εσωτερικό του οδηγού σύρματος Β και συναρμολογήστε τα.

► **Εικ.43:** 1. Σωλήνας 2. Εγκοπή 3. Οδηγός σύρματος Β

4. Στερεώστε τον οδηγό σύρματος Β σφίγγοντας προσωρινά το μπουλόνι Α.

► **Εικ.44:** 1. Μπουλόνι Α 2. Οδηγός σύρματος Β

5. Τοποθετήστε το κάλυμμα της πλάκας επαφής στην κατεύθυνση του βέλους.

► **Εικ.45:** 1. Κάλυμμα της πλάκας επαφής

6. Στερεώστε τον οδηγό σύρματος Β και το κάλυμμα της πλάκας επαφής σφίγγοντας καλά το μπουλόνι Α και το μπουλόνι Β.

► **Εικ.46:** 1. Οδηγός σύρματος Β 2. Κάλυμμα της πλάκας επαφής 3. Μπουλόνι Α 4. Μπουλόνι Β

7. Μετά τη συναρμολόγηση, βεβαιωθείτε ότι η πλάκα επαφής μπορεί να μετακινηθεί όπως απεικονίζεται στην εικόνα.

► **Εικ.47:** 1. Πλάκα επαφής

ΠΑΡΑΤΗΡΗΣΗ: Αν η πλάκα επαφής πιαστεί, πατήστε την όπως απεικονίζεται στην εικόνα.

► **Εικ.48**

Πίνακας ενδείξεων και τόνος σφάλματος

▲ ΠΡΟΣΟΧΗ: Κατά την επιθεώρηση, βεβαιωθείτε να κλειδώσετε τη σκανδάλη, να απενεργοποιήσετε την ισχύ και να αφαιρέσετε την κασέτα μπαταριών. Αν δεν τηρήσετε αυτή την οδηγία, μπορεί να προκληθεί ατύχημα.

▲ ΠΡΟΣΟΧΗ: Όταν ενεργοποιείτε την ισχύ, μη φέρνετε ποτέ τα άκρα ή το πρόσωπό σας κοντά στα δεσμευτικά ή περιστρεφόμενα μέρη της μύτες του εργαλείου. Διαφορετικά, μπορεί να τραυματιστείτε.

▲ ΠΡΟΣΟΧΗ: Όταν η ισχύς ενεργοποιηθεί, μην αγγίζετε ποτέ τα δεσμευτικά ή περιστρεφόμενα μέρη της μύτες του εργαλείου. Διαφορετικά, μπορεί να τραυματιστείτε.

▲ ΠΡΟΣΟΧΗ: Αν παραχθεί ένας τόνος σφάλματος ή αν το εργαλείο παρουσιάσει δυσλειτουργία, σταματήστε αμέσως τη χρήση του εργαλείου.

Τόνος σφάλματος και ενδείξεις

Αν συμβεί σφάλμα, θα παραχθεί ένας τόνος σφάλματος και θα εμφανιστεί ένας αριθμός σφάλματος στον πίνακα ενδείξεων. Ανατρέξτε στον παρακάτω πίνακα και εκτελέστε τις κατάλληλες ενέργειες. Αν το σφάλμα επιμένει, απευθυνθείτε σε εξουσιοδοτημένα κέντρα σέρβις της Makita για επισκευή.

Ενδείξεις	Σύμπτωμα	Πιθανή αιτία	Λύση
1	Το εργαλείο σταμάτησε να λειτουργεί.	Το σύρμα έχει χρησιμοποιηθεί όλο.	Φορτώστε καινούριο σύρμα δεσίματος.
		Το σύρμα δεσίματος δεν είναι φορτωμένο.	Φορτώστε το σύρμα δεσίματος.
		Η τροφοδότηση σύρματος έχει αποτύχει.	Ελέγξτε τον προσανατολισμό του σύρματος δεσίματος. Εκφορτώστε το σύρμα δεσίματος και φορτώστε το ξανά. Καθαρίστε τη διαδρομή του σύρματος.
2	Το εργαλείο σταμάτησε να λειτουργεί.	Ο οδηγός κύρτωσης είναι ανοικτός.	Κλείστε τον οδηγό κύρτωσης.
3	Το εργαλείο δεν εκτελεί τη διαδικασία δεσίματος σε τρόπο λειτουργίας συνεχόμενης ενεργοποίησης.	Η πλάκα επαφής έχει πιαστεί.	Ελευθερώστε την πλάκα επαφής.
4	Το εργαλείο δεν ξεκινά. Το εργαλείο σταμάτησε να λειτουργεί.	Η μπαταρία έχει αποφορτιστεί. Η θερμοκρασία της κασέτας μπαταριών είναι ασυνήθιστα υψηλή.	Επαναφορτίστε την μπαταρία. Μειώστε τη θερμοκρασία της κασέτας μπαταριών. Αντικαταστήστε την κασέτα μπαταριών με μια επαναφορτισμένη.
5	Το εργαλείο σταμάτησε να λειτουργεί.	Το μοτέρ έχει υπερφορτωθεί.	Καθορίστε την αιτία που εμποδίζεται η περιστροφή μοτέρ και επιλύστε το πρόβλημα.
		Αποτυχία μοτέρ	
6	Το εργαλείο σταμάτησε να λειτουργεί.	Η θερμοκρασία του εργαλείου είναι ασυνήθιστα υψηλή.	Μειώστε τη θερμοκρασία του εργαλείου.
7	Το εργαλείο δεν ξεκινά. Το εργαλείο σταμάτησε να λειτουργεί.	Αποτυχία εργαλείου	Απευθυνθείτε σε εξουσιοδοτημένα κέντρα σέρβις της Makita για επισκευή.

ΠΡΟΑΙΡΕΤΙΚΑ ΕΞΑΡΤΗΜΑΤΑ

▲ ΠΡΟΣΟΧΗ: Αυτά τα εξαρτήματα ή προσαρτήματα συνιστώνται για χρήση με το εργαλείο Makita που περιγράφτηκε στις οδηγίες αυτές. Η χρήση οποιωνδήποτε άλλων εξαρτημάτων ή προσαρτημάτων μπορεί να προκαλέσει κίνδυνο τραυματισμού σε άτομα. Να χρησιμοποιείτε τα εξαρτήματα ή προσαρτήματα μόνο για την χρήση που προορίζονται.

Εάν χρειάζεστε οποιαδήποτε βοήθεια για περισσότερες πληροφορίες σε σχέση με αυτά τα εξαρτήματα, απαντηθείτε στο τοπικό σας κέντρο εξυπηρέτησης Makita.

- Σύρμα δεσίματος
- Γνήσια μπαταρία και φορτιστής της Makita

ΠΑΡΑΤΗΡΗΣΗ: Μερικά στοιχεία στη λίστα μπορεί να συμπεριλαμβάνονται στη συσκευασία εργαλείου ως στάνταρ εξαρτήματα. Μπορεί να διαφέρουν ανάλογα με τη χώρα.

TEKNİK ÖZELLİKLER

Model:	DTR180
Bağlama teli (İsteğe bağlı aksesuar)	ø0,8 mm
Bağlanabilecek inşaat demiri çapları	#3 x #3 ila (#4 x 2) x (#4 x 2) 10 mm x 10 mm ila (13 mm x 2) x (13 mm x 2)
Makara başına yaklaşık bağlama sayısı	Yaklaşık 120 bağlama
Tam uzunluk	304 mm
Anma voltajı	D.C. 14,4/18 V
Net ağırlık	2,3 - 2,6 kg

- Sürekli yapılan araştırma ve geliştirmelerden dolayı, burada belirtilen özellikler önceden bildirilmeksizin değiştirilebilir.
- Özellikler ve batarya kartuşu ülkeden ülkeye değişebilir.
- Ağırlık, ekli aksesuar/aksesuarlara ve batarya kartuşuna bağlı olarak farklılık gösterebilir. EPTA-Prosedürü 01/2014'e göre en hafif ve en ağır kombinasyonlar tabloda verilmiştir.

Geçerli batarya kartuşu ve şarj aleti

Batarya kartuşu	D.C. 14,4 V Modeli	BL1415N / BL1430 / BL1430B / BL1440 / BL1450 / BL1460B
	D.C. 18 V Modeli	BL1815N / BL1820 / BL1820B / BL1830 / BL1830B / BL1840 / BL1840B / BL1850 / BL1850B / BL1860B
Şarj aleti		DC18RC / DC18RD / DC18RE / DC18SD / DC18SE / DC18SF

- Yukarıda listelenen batarya kartuşlarının ve şarj aletlerinin bazıları yaşadığınız bölgeye bağlı olarak mevcut olmayabilir.

⚠UYARI: Sadece yukarıda listelenen batarya kartuşlarını ve şarj aletlerini kullanın. Başka batarya kartuşlarının ve şarj aletlerinin kullanılması yaralanma ve/veya yangına neden olabilir.

Bağlanabilecek inşaat demiri kombinasyonu**2'li inşaat demiri kombinasyonu**

	#3 (10 mm)	#4 (13 mm)	#5 (16 mm)
#3 (10 mm)	✓	✓	✓
#4 (13 mm)	✓	✓	✓
#5 (16 mm)	✓	✓	✓

3'lü inşaat demiri kombinasyonu

	#3 x #3 (10 mm x 10 mm)	#4 x #4 (13 mm x 13 mm)
#3 (10 mm)	✓	✓
#4 (13 mm)	✓	✓
#5 (16 mm)	✓	-

4'lü inşaat demiri kombinasyonu

	#3 x #3 (10 mm x 10 mm)	#4 x #4 (13 mm x 13 mm)
#3 x #3 (10 mm x 10 mm)	✓	✓
#4 x #4 (13 mm x 13 mm)	✓	✓

ÖNEMLİ NOT: İnşaat demirleri arasında boşluk varsa veya alet hatalı yönde kullanılırsa inşaat demirleri bağlanamayabilir.

Semboller

Aşağıdakiler makinenin için kullanılan sembolleri göstermektedir. Kullanmadan önce manalarını anladığınızdan emin olunuz.



Kullanma kılavuzunu okuyun.



Güvenlik gözlüğü takın.



Yağmura maruz bırakmayın.



Aleti kullanırken elleri tel makarasından veya telden uzak tutun.



Elleri aletin ucundan uzak tutun.



Ni-MH
Li-Ion

Sadece AB ülkeleri için
Elektrik donanımını ve batarya kutusunu evsel atıklarla birlikte bertaraf etmeyiniz!
Atık Elektrikli ve Elektronik Donanımlar, Piller ve Akümülatörler ve Atık Piller ve Akümülatörler konusundaki Avrupa Direktifleri ve bunların ulusal yasalara uygulanmaları uyarınca, kullanım ömürleri biten elektrikli donanımların, pillerin ve pil takım(lar)ının ayrı toplanmaları ve çevreye uyumlu bir geri dönüşüm tesisine getirilmeleri gereklidir.

Kullanım amacı

Bu alet inşaat demirlerini bağlamak için tasarlanmıştır.

Gürültü

Tipik A-ağırlıklı gürültü düzeyi (EN60745-2-18 (EN12549) standardına göre belirlenen):
Ses basınç seviyesi (L_{pA}): 78 dB (A)
Belirsizlik (K): 3 dB (A)

İşlem sırasında gürültü seviyesi 80 dB (A)'yi geçebilir.

UYARI: Kulak koruyucuları takın.

Titreşim

Titreşim toplam değeri (üç eksenli vektör toplamı) (EN60745-2-18 (ISO8662-11) standardına göre hesaplanan):

Çalışma modu: Metal çubuk bağlama
Titreşim emisyonu (a_n): 2,5 m/s² den az
Belirsizlik (K) : 1,5 m/s²

NOT: Beyan edilen titreşim emisyon değeri standart test yöntemine uygun şekilde ölçülmüştür ve bir aleti bir başkasıyla karşılaştırmak için kullanılabilir.

NOT: Beyan edilen titreşim emisyon değeri bir ön maruz kalma değerlendirmesi olarak da kullanılabilir.

UYARI: Bu elektrikli aletin gerçek kullanımı sırasındaki titreşim emisyonu aletin kullanım biçimlerine bağlı olarak beyan edilen emisyon değerinden farklı olabilir.

UYARI: Gerçek kullanım koşullarındaki maruz kalmanın bir tahmini hesaplaması temelinde operatörü koruyacak güvenlik önlemlerini mutlaka belirleyin (çalışma döngüsü içerisinde aletin kapalı olduğu ve aktif durumda olmasının yanı sıra boşta çalıştığı zamanlar gibi, bütün zaman dilimleri göz önünde bulundurulur değerlendirilmelidir).

EC Uygunluk Beyanı

Sadece Avrupa ülkeleri için

EC uygunluk beyanı bu kullanım kılavuzuna Ek A olarak eklenmiştir.

GÜVENLİK UYARILARI

Genel elektrikli alet güvenliği uyarıları

UYARI: Bu elektrikli aletle birlikte sunulan tüm güvenlik uyarılarını, talimatları, çizimleri ve teknik özellikleri okuyun. Aşağıda verilen talimatlara uyulmaması elektrik şoku, yangın ve/veya ciddi yaralanmalar ile sonuçlanabilir.

Tüm uyarıları ve talimatları ile-ride başvurmak için saklayın.

Uyarılardaki "elektrikli alet" terimi ile ya prizden çalışan (kordonlu) elektrikli aletiniz ya da kendi aküsü ile çalışan (kordonsuz) elektrikli aletiniz kastedilmektedir.

Akülü inşaat demiri bağlama makinesi güvenlik uyarıları

- Aleti asla insanlara doğrultmayın.** Ellerinizi veya ayaklarınızı asla aletin ucuna yakın bir yere koymayın. Aleti, birine dokunurken yanlışlıkla çalıştırırsanız beklenmeyen bir kazaya neden olur.
- Aletin gücü açıkken tel yüklemeyin.** Aksi takdirde tele takılarak yaralanabilirsiniz.
- Aleti, makara kapağını kapatmadan kullanmayın.** Aksi takdirde tel makarası düşerek kazaya neden olabilir.
- İşe başlamadan önce bağlanacak inşaat demiri çaplarının aletin kapasitesi dahilinde olduğunu mutlaka kontrol edin.**
- Etek uçları ve kolları dar kıyafetler giyin.** Boynunuzu sarılı havlu veya başka bir şeyle bağlamayın. Aksi takdirde bunlar döner parçaya takılarak kazaya neden olabilir.
- Aleti kullanmadan önce aşağıdaki hususları mutlaka kontrol edin.**
 - Hasarlı hiçbir parça olmadığını kontrol edin
 - Gevşek hiçbir civata olmadığını kontrol edin
 - Güvenlik aygıtlarının normal çalıştıklarını kontrol edin

7. **Herhangi bir anormallik bulunursa derhal aleti kullanmayı kesin. Aleti kendiniz tamir etmeyin. Tamir için Makita Servis Merkezineza başvurun.** Alet kusurlu durumda kullanılırsa kaza olabilir.
8. **Batarya kartuşunu takarken tetiği mutlaka kilitleyin ve parmağınızı tetiğin üzerine koymayın.** Hatalı kullanımı kazaya neden olabilir.
9. **İnşaat demirlerini bağlarken demirleri oynatmamaya özen gösterin.** Bağlama nedeniyle inşaat demirleri oynarsa yaralanabilirsiniz.
10. **Tel bağlama işlemi sırasında tellere dokunmayın.** Aksi takdirde tele takılarak yaralanabilirsiniz.
11. **Tel bağlama işlemi sırasında ellerinizi bağlama noktasına yaklaştırmayın.** Aksi takdirde tele takılarak yaralanabilirsiniz.
12. **Tel bağlama işlemi sırasında aleti tutamagından tutun.** Aksi takdirde bileğiniz burkularak veya vücudunuz çökerek yaralanmaya neden olabilir.
13. **Mevcut tel bağlama işlemi tamamlanmadan bir sonraki bağlama noktasına atlamayın.** Aksi takdirde yaralanabilirsiniz.
14. **Tel bağlama işlemi sırasında telin ucuna dikkat edin.** Aksi takdirde eliniz telin ucuna takılabilir ve yaralanabilirsiniz.
15. **Tel bağlama işlemi sırasında temas plakasına dokunmayın.** Temas plakasına dokunmanız gerekirse mutlaka tetiği kilitleyin veya güç düğmesini kapalı konuma alın ve batarya kartuşunu çıkarın. Aksi takdirde yaralanabilirsiniz.
16. **Tel bağlama işlemini tamamladığınızda aleti dik şekilde yukarı çekin.** Aksi takdirde kol, inşaat demirlerine takılarak kazaya neden olabilir.
17. **Aleti düşürmemeye, çarpmamaya veya vurmamaya dikkat edin.** Alet kullanılmadan önce şiddetli bir darbe görürse aletin hasar görmediğinden veya kırılmadığından ve güvenli aygıtlarının normal çalıştığından mutlaka emin olun. Aksi takdirde kaza olabilir.
18. **Aşağıdaki olaylardan herhangi biri olduğunda tetiği kilitleyin, güç düğmesini kapalı konuma alın ve batarya kartuşunu aletten çıkarın.** Alet hatalı çalışırsa kaza olabilir.
 - **Batarya kartuşu takılır takılmaz çalışma sesi duyulursa.**
 - **Aşırı ısınma veya anormal koku ya da gürültü tespit edilirse.**
 - **Hata gösterimi nedeniyle önlemler alınırken. (Tamir için yerel Makita Servis Merkezineza başvurun.)**
 - **Tel makarası yüklerken veya çıkarırken.**
 - **İş sırasında aleti tutarken hareket ettiğinizde.**
 - **Aleti kullanmıyorken.**
 - **Aleti kontrol ederken veya ayarlarken.**
 - **Bükülü bir teli çıkarırken.**
19. **İskele üzerinde çalışırken iskeleyi sabitleyin ve dengenizi korumanızı sağlayacak bir duruşla çalışın.** İskele sabit değilse kaza olabilir.
20. **Yeri veya benzeri yerlerde çalışırken gittiğiniz yeri görebilmek için ileri yönde hareket edin.** Çalışırken geri yönde hareket ederseniz ayağınız kayabilir ve kazaya neden olabilir.
21. **Oldukça yüksek bir yerde çalışırken altınızda kimsenin olmadığından emin olun ve çalışırken hiçbir aleti düşürmemeye dikkat edin.** Aletin düşürülmesi kazaya neden olabilir.
22. **Bu aleti tel bağlama dışında başka hiçbir işte kullanmayın.** Aksi takdirde kaza olabilir.
23. **Daima Makita'nın orijinal tellerini kullanın.** Teller uzun süre kullanılmazsa paslanmaya neden olabilir.
24. **Bağladıktan sonra aşırı bükme nedeniyle telde kopma olup olmadığını kontrol edin.** Tel koparsa bağlama kuvveti kaybedilir. Bağlama kuvvetini ayarlayarak inşaat demirlerini yeniden bağlayın.
25. **Kolu inşaat demirlerine iyice dayayın.** İyice dayanmazsa inşaat demirleri arasında boşluk oluşur ve bağlama kuvvetine zarar verebilir.

Batarya kartuşu hakkında önemli güvenlik talimatları

1. **Batarya kartuşunu kullanmadan önce, tüm talimatları ve (1) batarya kartuşu, (2) batarya ve (3) ürün üzerindeki tüm uyarı işaretlerini okuyun.**
2. **Batarya kartuşunu demonte etmeyin.**
3. **Çalışma süresi aşırı derecede kısalırsa kullanmayı derhal bırakın.** Aşırı ısınma, yanma riski hatta patlamaya neden olabilir.
4. **Gözünüze elektrolit kaçarsa, gözlerinizi temiz suyla durulayın ve hemen tıbbi yardım alın.** Görme kaybına yol açabilir.
5. **Batarya kartuşuna kısa devre yaptırmayın:**
 - (1) **Terminallere herhangi bir iletken madde deydirmeyin.**
 - (2) **Batarya kartuşunu çiviler, madeni paralar, vb. gibi başka metal nesnelere aynı kaba koymaktan kaçının.**
 - (3) **Batarya kartuşunu yağmura ya da suya maruz bırakmayın.**
6. **Kısa devre, büyük bir akım akışına, aşırı ısınmaya, olası yanıklara hatta bataryanın bozulmasına yol açabilir.**
7. **Aleti ve batarya kartuşunu sıcaklığın 50°C ya da daha yüksekçe ulaştığı yerlerde saklamayın.**
8. **Aşırı derecede hasar görmüş ya da tamamen kullanılamaz durumda olsa bile batarya kartuşunu yakmayın.** Batarya kartuşu ateşe atılırsa patlayabilir.
9. **Bataryayı düşürmemeye ve çarpmamaya dikkat edin.**
10. **Hasarlı bataryayı kullanmayın.**
11. **Aletin içerdığı lityum-iyon bataryalar Tehlikeli Eşyalar Yönetmeliğinin gereksinimlerine tabidir.**

Ticari nakliye işlemleri için, örneğin üçüncü taraflar, nakliye acenteleri tarafından yapılan nakliyelerde, paketleme ve etiketleme gereksinimlerine uyulmalıdır.

Nakliyesi yapılacak ürünün hazırlanması için, tehlikeli maddeler konusunda uzman bir kişiye danışın. Lütfen muhtemelen daha ayrıntılı olan ulusal yönetmeliklere de uyun.

Açık kontakları bantlayın ya da maskeleyin ve bataryayı paketin içinde hareket etmeyecek şekilde paketleyin.
11. **Bataryanın elden çıkarılması ile ilgili yerel düzenlemelere uyunuz.**

12. **Bataryaları sadece Makita tarafından belirtilen ürünlerle kullanın.** Bataryaların uyumsuz ürünlere takılması; yangın, aşırı ısınma, patlama ya da elektrolit sızıntısına neden olabilir.

BU TALİMATLARI MUHAFAZA EDİNİZ.

⚠DİKKAT: Sadece orijinal Makita bataryalarını kullanın. Orijinal olmayan Makita bataryaları ya da üzerine değişiklik yapılmış bataryaların kullanımı bataryanın patlamasına ve sonuç olarak yangın, kişisel yaralanma ve hasara neden olabilir. Ayrıca Makita aleti ve şarj aletinin Makita tarafından sunulan garantisi de geçersiz olur.

Maksimum batarya ömrü için ipuçları

1. Batarya kartuşunu tamamen boşalmadan önce şarj edin. Aletin gücünün zayıflamaya başladığını fark ettiğinizde aleti durdurun ve batarya kartuşunu şarj edin.
2. Tam dolu bir batarya kartuşunu asla yeniden şarj etmeyin. Aşırı şarj etme bataryanın hizmet ömrünü kısaltır.
3. Batarya kartuşunu 10°C - 40°C oda sıcaklığında şarj edin. Sıcak bir batarya kartuşunu şarj etmeden önce soğumasını bekleyin.
4. Uzun bir süre (altı aydan daha fazla) kullanmadığınız durumlarda batarya kartuşunu şarj edin.

İŞLEVSEL NİTELİKLER

⚠DİKKAT: Alet üzerinde ayarlama veya işleyiş kontrolü yapmadan önce aletin kapalı ve batarya kartuşunun ayrılmış olduğundan daima emin olun.

Batarya kartuşunun takılması ve çıkarılması

⚠DİKKAT: Batarya kartuşunu takmadan ya da çıkarmadan önce aleti daima kapatın.

⚠DİKKAT: Batarya kartuşunu takarken veya çıkarırken aleti ve batarya kartuşunu sıkıca tutun. Aletin ve batarya kartuşunun sıkıca tutulmaması bunların düşürülmesine sebep olabilir ve alet ve batarya kartuşunun zarar görmesine ya da ciddi yaralanmasına yol açabilir.

► **Şek.1:** 1. Kırmızı gösterge 2. Düğme 3. Batarya kartuşu

Batarya kartuşunu çıkarmak için, kartuşun ön tarafındaki düğmeyi kaydırarak kartuşu aletten çıkarın.

Batarya kartuşunu takmak için, batarya kartuşu üzerindeki dili yuvanın çentiği ile hizalayın ve yerine oturtun. Hafif bir tık sesi duyulana kadar itip yerine tam oturma-sını sağlayın. Düğmenin üst tarafındaki kırmızı gösterge görünüyorsa tam yerine kilitlenmemiş demektir.

⚠DİKKAT: Batarya kartuşunu daima kırmızı gösterge görünmeyecek şekilde tam olarak takın. Yerine tam oturmazsa, aletten yanlışlıkla düşebilir, sizin ya da çevrenizdeki kişilerin yaralanmasına neden olabilir.

⚠DİKKAT: Batarya kartuşunu zorlayarak takmayın. Kartuş kolay bir şekilde kaymıyorsa doğru yerleştirilmemiş demektir.

Kalan batarya kapasitesinin gösterilmesi

Sadece göstergeli batarya kartuşları için

► **Şek.2:** 1. Gösterge lambaları 2. Kontrol düğmesi

Kalan batarya kapasitesini göstermesi için batarya kartuşu üzerindeki kontrol düğmesine basın. Gösterge lambaları birkaç saniye yanar.

Gösterge lambaları			Kalan kapasite
Yanıyor	Kapalı	Yanıp sönüyor	
■ ■ ■ ■			%75 ila %100
■ ■ ■ □			%50 ila %75
■ ■ □ □			%25 ila %50
■ □ □ □			%0 ila %25
▤ □ □ □			Bataryayı şarj edin.
■ ■ □ □			Batarya arızalanmış olabilir.
□ □ ■ ■			

NOT: Kullanım koşullarına ve ortam sıcaklığına bağlı olarak, gösterilen değer gerçek kapasiteden biraz farklılık gösterebilir.

Alet/batarya koruma sistemi

Bu alet bir alet/batarya koruma sistemi ile donatılmıştır. Bu sistem motora giden gücü otomatik olarak keserek uzun alet ve batarya ömrü sağlar. Alet veya batarya için aşağıdaki durumlardan biri söz konusu olduğunda aletin işleyişi otomatik olarak durur:

Aşırı yük koruması

Batarya, anormal derecede yüksek akım çekmesine neden olacak şekilde kullanıldığında, alet otomatik olarak durur ve gösterge panelinde ilgili hata numarası sergilenir. Bu durumda aleti kapatın ve aletin aşırı yüklenmesine neden olan uygulamayı kesin. Ardından aleti açarak yeniden çalıştırın.

Aşırı ısınma koruması

Alet veya batarya aşırı ısındığında alet otomatik olarak durur ve gösterge panelinde ilgili hata numarası sergilenir. Bu durumda, yeniden çalıştırmadan önce aletin ve bataryanın soğumasını bekleyin.

Aşırı deşarj koruması

Batarya kapasitesi yeterli değilse alet otomatik olarak durur ve gösterge panelinde ilgili hata numarası sergilenir. Bu durumda, bataryayı aletten çıkarın ve bataryayı şarj edin.

Ana güç anahtarı

⚠️ DİKKAT: Gücü açtığınızda kol ve bacaklarınızı veya yüzünüzü alet ucunun bağlayan veya dönen kısımlarına asla yaklaştırmayın. Aksi takdirde yaralanabilirsiniz.

⚠️ DİKKAT: Güç açılırken alet ucunun bağlayan veya dönen kısımlarına asla dokunmayın. Aksi takdirde yaralanabilirsiniz.

⚠️ DİKKAT: Batarya kartuşunu takmadan önce mutlaka parmaklarınızı anahtar tetikten çekin ve tetiği kilitleyin. Batarya kartuşunu anahtar tetik çekilirken takarsanız yanlışlıkla tel bağlama işlemi yapılırsa kazaya neden olabilir.

► Şek.3

Güç düğmesine bastığınızda güç açılır ve bağlama modu lambası yanar. Alet, kendi ilk pozisyonunu ayarlayabilmek için geçici olarak çalışır. Ayar tamamlandığında alet otomatik olarak durur. Güç düğmesine tekrar bastığınızda güç kapanır ve bağlama modu lambası söner.

► **Şek.4:** 1. Bağlama modu lambası 2. Güç düğmesi

NOT: Alette otomatik güç kapama fonksiyonu bulunmaktadır. Anahtar tetik 10 dakika süreyle çekilmezse batarya güç tüketimini azaltmak için alet otomatik olarak kapatılır.

NOT: Aleti yeniden çalıştırmak için gücü tekrar açın.


Mod değiştirme düğmesi

Güç açılıp bağlama modu lambası yandığında mod değiştirme düğmesi ile tek çalıştırma modunu veya sürekli çalıştırma modunu seçebilirsiniz. Gücü yeniden açtığınızda alet, en son seçilmiş olan moda başlar.

► **Şek.5:** 1. Mod değiştirme düğmesi 2. Tek çalıştırma modu 3. Sürekli çalıştırma modu

Anahtar işlemi

⚠️ UYARI: Batarya kartuşunu alete takmadan önce anahtar tetiğin doğru çalıştığından ve bıraktığında "OFF" (kapalı) konumuna döndüğünden emin olun.

⚠️ DİKKAT: Aleti kullanmazken tetik kilitleme düğmesine  tarafından basarak anahtar tetiği kapalı konumda kilitleyin.

► **Şek.6:** 1. Anahtar tetik 2. Tetik kilitleme düğmesi

Anahtar tetiğin kazara çekilmesini engellemek için tetik kilitleme düğmesi sağlanmıştır. Aleti çalıştırmak için tetik kilitleme düğmesine A tarafından basarak anahtar tetiği çekin. Durdurmak için anahtar tetiği bırakın. Kullandıktan sonra tetik kilitleme düğmesine B tarafından basın.

Anahtar tetiği çektiğinizde alet sonraki sıralı işlemleri şu şekilde yapar ve alet otomatik olarak durur.

1. Teli besler.
2. Teli keser.
3. Kanca teli tutar ve bükür.
4. Kanca ilk pozisyonuna döner.

Bağlama kuvveti ayarı

⚠️ DİKKAT: Ayarlama başlamadan önce tetiği mutlaka kilitleyin. Gücü açtığınızda kol ve bacaklarınızı veya yüzünüzü alet ucunun bağlayan veya dönen kısımlarına asla yaklaştırmayın. Aksi takdirde yaralanabilirsiniz.

► Şek.7

Bağlama kuvveti ayarlama düğmesini ayarlayarak bağlama kuvvetini ayarlayabilirsiniz. Bağlama kuvveti gösterge panelinde gösterilir.

► **Şek.8:** 1. Bağlama kuvveti ayarlama düğmesi 2. Gösterge paneli

Tel koparsa bağlama kuvveti kaybedilir. Bağladıktan sonra bükülen kısımda kopma olup olmadığını kontrol edin. Tel koparsa bağlama kuvveti ayarlama düğmesini kullanarak bağlama kuvvetini ayarlayın ve demirleri yeniden bağlayın.

Kalan batarya uyarısı

Batarya gerilimi gereken seviyenin altına düştüğünde alet çalışmayı durdurur, bir hata sesi çıkar ve gösterge panelinde "4" rakamı sergilenir. Güç kapatılana kadar hata sesi çıkmaya devam eder.

NOT: Ortam sıcaklığı aşırı düşükse bataryada yeterli güç olmasına rağmen hata sesi çıkabilir.

MONTAJ

⚠️ DİKKAT: Alet üzerinde herhangi bir iş yapmadan önce aletin kapalı ve batarya kartuşunun ayrılmış olduğundan daima emin olun.

Bağlama telinin (tel makarası) yüklenmesi

⚠️ DİKKAT: Bağlama tellerini ve aksesuarları takmadan veya çıkarmadan önce mutlaka gücü kapatın, tetiği kilitleyin ve batarya kartuşunu çıkarın. Aksi takdirde kazaya neden olabilir.

ÖNEMLİ NOT: Makita'nın orijinal bağlama tellerinden (tavlı tel) başka tel kullanılması aletin arızalanmasına neden olabilir.

1. Serbest bırakma kolunu ittirerek kilitleme mandalı ile kilitleyin.

► **Şek.9:** 1. Serbest bırakma kolu 2. Kilitleme mandalı

Serbest bırakma kolunu ittiğinizde sol ve sağ besleme dişlileri arasında bir boşluk oluşur.

► **Şek.10:** 1. Serbest bırakma kolu 2. Kilitleme mandalı 3. Besleme dişlileri

2. Teli tutan bandı sıyrın ve telin ucunu dışarı çıkarın.

► **Şek.11:** 1. Bant 2. Telin ucu

3. Makara kapağını açın.

► **Şek.12:** 1. Makara kapağı

4. Tel makarasını, şekilde gösterilen yönde alete takın.

► **Şek.13:** 1. Tel makarası

ÖNEMLİ NOT: Tel makarasını, şekilde gösterilen yönde taktığınızdan emin olun. Aksi yönde takılırsa tel salınabilir ve bükülebilir.

5. Telin ucunu düzeltin ve teli kılavuzdan geçirin.

► **Şek.14:** 1. Kılavuz

NOT: Kılavuzdan geçirilirken telin ucu eğilirse tel alette sıkışabilir.

NOT: Kılavuzdan geçirmeye çalışırken teli zorlarsanız tel sıkışabilir.

6. Teli kolun ucundan yaklaşık 10 mm dışarı çıkarın.

► **Şek.15:** 1. Kol 2. Yaklaşık 10 mm

ÖNEMLİ NOT: Dışarı çıkarılan telin uzunluğu yeterli değilse bağlanırken tel kopabilir veya yetersiz sarma nedeniyle bağlama kuvvetine zarar verebilir.

7. Teli tutan bandın tamamını çıkarın.

► **Şek.16**

8. Boşunu almak için teli sarın.

► **Şek.17**

9. Kilitleme mandalını serbest bırakın. Serbest bırakma kolu geri gelir ve tel, sol ve sağ dişlilerce tutulur.

► **Şek.18:** 1. Serbest bırakma kolu 2. Kilitleme mandalı

► **Şek.19:** 1. Dişli 2. Tel yolu 3. Tel

ÖNEMLİ NOT: Kilitleme mandalı bırakılıp sol ve sağ dişliler birbirlerine geçtiğinde dişlilerdeki kanallar bir açıklık oluşturur. Bu açıklık tel için yol olur. Telin bu yoldan geçtiğinden emin olun.

10. Makara kapağını kapatın.

► **Şek.20:** 1. Makara kapağı

KULLANIM

Çalışma öncesi kontroller

⚠DİKKAT: Alette güvenlik mekanizması ile ilgili bir sorun varsa aleti kullanmayın. Kullanmaya devam ederseniz kaza olabilir.

Aleti kullanmadan önce güvenlik mekanizmasının normal çalıştığından emin olun. Alet, güvenlik mekanizması çalışmadan çalışıyorsa derhal aleti kullanmayı kesin. Tamir için Makita Servis Merkezine başvurun.

Tetik kilidinin kontrol edilmesi

Alette, kullanmak istemediğiniz zamanlarda aletin çalışmasını engelleyen tetik kilidi bulunmaktadır. Tetiği kilitleyin ve anahtar tetiğinin çekilemediğini doğrulayın.

Kıvrıma kılavuzunun kontrol edilmesi

Operatörün, alet ucunun bağlayan veya dönen kısımlarına yanlışlıkla dokunmasını engellemek için kıvrıma kılavuzu açıkken anahtar tetik çekilse bile alet çalışmaz. Operatör parmağını anahtar tetikten çekerek kıvrıma kılavuzunu kapattığında alet çalışabilir.

► **Şek.21:** 1. Kıvrıma kılavuzu

Kıvrıma kılavuzu açık/kapalı algılama kontrolü

Bağlama telini çıkarın, aletin aşağıdaki adımlara göre çalıştığını kontrol edin ve kıvrıma kılavuzu açıkken aletin çalışmadığından emin olun.

1. Gücü kapatın ve kıvrıma kılavuzunu açık bırakın.
2. Gücü açın.

Alet çalışmıyorsa ve gösterge panelinde "2" değeri sergileniyorsa aletin durumu normaldir. Gücü kapatın ve kıvrıma kılavuzunu kapatın.

Alet çalışıyorsa ve gösterge panelinde hiçbir hata sergilenmiyorsa aletin durumu normal değildir. Aleti kullanmayı hemen bırakın ve yerel Makita Servis Merkezinizden tamir etmelerini isteyin.

⚠DİKKAT: Kilitleme sistemini kontrol etmek için kıvrıma kılavuzunu açıp gücü açık konuma alırken kıvrıma kılavuzunu şekilde gösterildiği gibi tutun. Kol ve bacaklarınızı veya yüzünüzü alet ucunun bağlayan veya dönen kısımlarına asla yaklaştırmayın. Aksi takdirde yaralanabilirsiniz.

► **Şek.22**

Bağlama işi

⚠DİKKAT: Batarya kartuşunu takmadan önce mutlaka parmaklarınızı anahtar tetikten çekin ve tetiği kilitleyin. Batarya kartuşunu anahtar tetik çekilirken takarsanız yanlışlıkla tel bağlama işlemi yapılırsa kazaya neden olabilir.

⚠DİKKAT: Gücü açtığınızda kol ve bacaklarınızı veya yüzünüzü alet ucunun bağlayan veya dönen kısımlarına asla yaklaştırmayın. Aksi takdirde yaralanabilirsiniz.

⚠DİKKAT: Güç açılırken alet ucunun bağlayan veya dönen kısımlarına asla dokunmayın. Aksi takdirde yaralanabilirsiniz.

► **Şek.23**

Çalışma öncesi hazırlık

1. Batarya kartuşunun çıkarılmış ve tetiğinin kilitti olduğundan emin olun.
2. Batarya kartuşunu alete takın ve gücü açın. Gücü açtığınızda tel otomatik olarak kesilir.

ÖNEMLİ NOT: Güç açıldığında bağlama modu lambasının yandığından emin olun. Yanmıyorsa bataryayı şarj edin.

3. Tetik kilidini serbest bırakın.
- **Şek.24:** 1. Tetik kilidi düğmesi 2. Anahtar tetik 3. Güç düğmesi 4. Bağlama modu lambası

Tek çalıştırma modu

1. Kolu bağlama noktasına iyice bastırın. Aleti inşaat demirlerine dayanacak şekilde dik olarak bastırın ve kolu, demirlerle 45 derece açı yapan noktaya dayayın.
► **Şek.25**
2. Anahtar tetiği bir kez çekin.
3. Tel otomatik olarak beslenir ve kesilir.
4. Kanca teli tutar ve bükür, daha sonra teller bağlandıktan sonra ilk pozisyonuna geri döner.
► **Şek.26**
5. Bağladıktan sonra kolu demirlere takıp aleti yukarı çekmemeye dikkat edin.

⚠DİKKAT: Tel, alet ucunun bağlayan kısmına sarılırsa aletin gücünü kapatın. Tetiği kilitleyin, batarya kartuşunu çıkarın ve kerpeten veya pense gibi aletler kullanarak teli çıkarın.

► **Şek.27**

Süreklili çalıştırma modu

1. Mod değiştirme düğmesini kullanarak aleti, tek çalıştırma modundan sürekli çalıştırma moduna alın.
► **Şek.28:** 1. Mod değiştirme düğmesi
2. Tetik kilidini serbest bırakın.
3. Anahtar tetiği çekerken aleti inşaat demirlerine dayanacak şekilde dik olarak bastırın ve kolu, demirlerle 45 derece açı yapan noktaya dayayın. Temas plakasını bağlama noktasına doğru iyice bastırın. Tel bağlanır.
► **Şek.29:** 1. Temas plakası
4. Bağladıktan sonra kolu demirlere takıp aleti yukarı çekmemeye dikkat edin.
► **Şek.30**

Çalışırken dikkat edilecekler

- Tel bağlama işlemi sırasında kolu, bağlama pozisyonundan hareket ettirseniz tel kancaya sıkışarak hatalı bağlamaya yol açabilir.
- Tel bağlama işlemi tamamlanana kadar aleti demirlere doğru bastırmayı sürdürün.
- Mevcut tel bağlama işlemi tamamlanmadan bir sonraki bağlama noktasına atlamayın.
- Tel bağlama işlemi sırasında alet ucunun döner kısmı (kanca) teli bükür. Vücutunuzun alet tarafından çekilmemesi için tutamağı sıkıca tutun.
- Tel bağlama işlemi sırasında tellere dokunmayın.
- Tel bağlama işlemlerini tek çalıştırma modunda tekrarlıyorsanız parmağınızı anahtar tetikten tamamen çekin. Daha sonra anahtar tetiği kullanmaya devam edin.
- Bağlama teli kalmadığında anahtar tetiği çekerse- niz bir hata sergilenir. Yeni bağlama teli ile değiştirin ve aleti yeniden çalıştırın.

Bağlama ipuçları

- Aleti çapraz demirlerle 45° yapacak şekilde yönlendirin ve şekilde gösterildiği gibi değişimli olarak bağlayın.
► **Şek.31**

- Demirlerin kabarık kısımlarından kaçınınız.

► **Şek.32**

- Bağlama kuvveti yeterli değilse bağlama yönünü değiştirin ve bağlama kuvvetinin artması için iki kez bağlama yapın.
► **Şek.33**

ÖNEMLİ NOT: İkinci bağlamayı yaparken ikinci bağlamayı yapmadan önce ilk bağlamanın ucunu kıvrın. Aksi takdirde tel ikinci kez geri itilebilir. Aletin ucuna sarılabilir ve kanca hasar görebilir.

Bağlama tellerinin değiştirilmesi

⚠DİKKAT: Teli değiştirirken mutlaka gücü kapatın, tetiği kilitleyin ve batarya kartuşunu çıkarın. Aksi takdirde kazaya neden olabilir.

1. Tel bittiğinde bir hata sesi çıkar ve hata "1" sergilenir.
2. Tetiği kilitleyin, gücü kapatın ve batarya kartuşunu çıkarın.
3. Serbest bırakma kolunu ittirerek kilitleme mandalı ile kilitleyin.
► **Şek.34:** 1. Serbest bırakma kolu 2. Kilitleme mandalı
4. Tel makarasını aletten çıkarın.

NOT: Tel normal şekilde harcandığında makaraya sarılı yaklaşık 20 cm tel kalır. Bu durumda tel makarasını yenisiyle değiştirin.

Tel makarasını aletten çıkarmakta zorlanırsanız aşağıdaki adımları izleyin.

1. Batarya kartuşunu alete takın ve gücü açın. Alet teli besler ve otomatik olarak keser.
2. Tetiği kilitleyin, gücü kapatın ve batarya kartuşunu çıkarın.
3. Kerpeten veya pense gibi aletler kullanarak kopuk telleri çıkarın.

BAKIM

⚠DİKKAT: Muayene ya da bakım yapmadan önce aletin kapalı ve batarya kartuşunun çıkartılmış olduğundan daima emin olun.

ÖNEMLİ NOT: Benzin, tiner, alkol ve benzeri maddeleri kesinlikle kullanmayın. Renk değişimi, deformasyon veya çatlaklar oluşabilir.

Aleti EMNİYETLİ ve ÇALIŞMAYA HAZIR durumda tutmak için onarımlar, başka her türlü bakım ve ayarlamalar daima Makita yedek parçaları kullanılarak Makita yetkili servis merkezleri veya Fabrikanın Servis Merkezleri tarafından yapılmalıdır.

Altıgen anahtarın saklanması

- Altıgen anahtar şeklide gösterilen konumda saklayın.
► **Şek.35:** 1. Altıgen anahtar

Kesicinin temizlenmesi

Alet uzun süre kullanılmazsa kesici kısmına toz ve tel parçacıkları yapışabilir. Bu durumda, aşağıdaki prosedüre göre kesiciyi sökerek temizleyin. Kesici kısmında tel takılmışsa aynı prosedür izlenerek tel çıkarılabilir.

Sökme ve temizleme

1. Alet paketinde bulunan altıgen anahtarı kullanarak cıvata A ve B'yi gevşetin.
► **Şek.36:** 1. Cıvata A 2. Cıvata B 3. Temas plakası kapağı 4. Tel kılavuzu B

ÖNEMLİ NOT: Altıgen anahtar kullanılarak sökülemeyen hiçbir cıvatayı zorlayarak çıkarmayın.

2. Temas plakası kapağını ok yönünde yukarı çekerek çıkarın. Aynı anda cıvata B sökülür.
► **Şek.37:** 1. Temas plakası kapağı 2. Cıvata B
3. Cıvata A'yı sökün ve tel kılavuzu B'yi çıkarın.
► **Şek.38:** 1. Cıvata A 2. Tel kılavuzu B
4. Tel kılavuzu B'yi ters çevirerek içini temizleyin.
► **Şek.39**
5. Kesici A, kesici B, üst plaka ve bağlantı kolu A'yı kol plakası A'dan çıkarın. Ardından bunları temizleyin.
► **Şek.40:** 1. Kesici B 2. Bağlantı kolu A 3. Kesici A 4. Kol plakası A 5. Üst plaka

Montaj

Temizlik bittiğinde aşağıdaki prosedüre göre parçaları monte edin.

1. Kesici A ve bağlantı kolu A'yı, kol plakası A'nın şekline uyacak şekilde takın.
► **Şek.41:** 1. Kesici A 2. Bağlantı kolu A 3. Kol plakası A
2. Kesici B ve üst plakayı kol plakası A'nın üzerine takın.
(Kesici B'yi kesici A ve bağlantı kolu A'nın üzerine takın.)
► **Şek.42:** 1. Kesici B 2. Üst plaka 3. Kol plakası A 4. Kesici A 5. Bağlantı kolu A

ÖNEMLİ NOT: Kesici B'nin çıkıntısı aşağı doğru bakacak şekilde kesiciyi şekilde gösterildiği gibi takın.

3. Aletin borusunu tel kılavuzu B'nin içindeki girinti ile hizalayarak bunları monte edin.
► **Şek.43:** 1. Boru 2. Girinti 3. Tel kılavuzu B
4. Cıvata A'yı geçici olarak sıkarak tel kılavuzu B'yi sabitleyin.
► **Şek.44:** 1. Cıvata A 2. Tel kılavuzu B
5. Temas plakası kapağını ok yönünde takın.
► **Şek.45:** 1. Temas plakası kapağı
6. Cıvata A ve cıvata B'yi iyice sıkarak tel kılavuzu B ve temas plakası kapağını sabitleyin.
► **Şek.46:** 1. Tel kılavuzu B 2. Temas plakası kapağı 3. Cıvata A 4. Cıvata B

7. Monte ettikten sonra temas plakasının şekilde gösterildiği gibi hareket edebildiğini doğrulayın.

- **Şek.47:** 1. Temas plakası

NOT: Temas plakası sıkılırsa şekilde gösterildiği gibi bastırın.

- **Şek.48**

Hata gösterimi ve hata sesi

⚠ DİKKAT: Kontrol sırasında mutlaka tetiği kilitleyin, gücü kapatın ve batarya kartuşunu çıkarın. Aksi takdirde kazaya neden olabilir.

⚠ DİKKAT: Gücü açtığınızda kol ve bacaklarınızı veya yüzünüzü alet ucunun bağlayan veya dönen kısımlarına asla yaklaştırmayın. Aksi takdirde yaralanabilirsiniz.

⚠ DİKKAT: Güç açılırken alet ucunun bağlayan veya dönen kısımlarına asla dokunmayın. Aksi takdirde yaralanabilirsiniz.

⚠ DİKKAT: Bir hata sesi duyarsanız veya alet arızalanırsa derhal aleti kullanmayı kesin.

Hata sesi ve gösterimi

Bir hata olursa hata sesi çıkar ve gösterge panelinde bir hata numarası sergilenir. Aşağıdaki tabloya bakın ve uygun işlemleri yapın. Hata devam ederse Makita Yetkili Servis Merkezlerinde tamir ettirin.

Gösterim	Belirti	Olası neden	Çözüm
1	Alet çalışmayı durduruyor.	Tel bitmiştir.	Yeni bağlama teli yükleyin.
		Bağlama teli yüklenmemiştir.	Bağlama teli yükleyin.
		Tel beslemesi yapılamamıştır.	Bağlama telinin yönünü kontrol edin. Bağlama telini çıkarın ve yenisinden yükleyin. Tel yolunu temizleyin.
2	Alet çalışmayı durduruyor.	Kıvırma kılavuzu açık.	Kıvırma kılavuzunu kapatın.
3	Alet sürekli çalışma modunda bağlama işlemi yapmıyor.	Temas plakası sıkışmış.	Temas plakasını sıkıştığı yerden kurtarın.
4	Alet çalışmıyor. Alet çalışmayı durduruyor.	Batarya boşalmıştır. Batarya kartuşunun sıcaklığı anormal derecede yüksektir.	Bataryayı şarj edin. Batarya kartuşunu soğutun. Batarya kartuşunu şarjlı bir batarya kartuşuyla değiştirin.
5	Alet çalışmayı durduruyor.	Motor aşırı yüklenmiş.	Motorun dönmelerini engelleyen nedeni bulun ve sorunu giderin.
		Motor arızası	
6	Alet çalışmayı durduruyor.	Aletin sıcaklığı anormal derecede yüksektir.	Aleti soğutun.
7	Alet çalışmıyor. Alet çalışmayı durduruyor.	Alet arızası	Makita Yetkili Servis Merkezlerine tamir ettirin.

İSTEĞE BAĞLI AKSESUARLAR

⚠ DİKKAT: Bu aksesuarlar ve ek parçalar bu el kitabında belirtilen Makita aletiniz ile kullanılmak için tavsiye edilmektedir. Herhangi başka bir aksesuar ya da ek parça kullanılması insanlar için bir yaralanma riski getirebilir. Aksesuarları ya da ek parçaları yalnızca belirtilmiş olan kullanım amaçlarına uygun olarak kullanın.

Bu aksesuarlarla ilgili daha fazla bilgiye ihtiyac duyarsanız bulunduğunuz yerdeki yetkili Makita servisine başvurun.

- Bağlama teli
- Orijinal Makita batarya ve şarj aleti

NOT: Listedeki parçaların bazıları alet paketi içerisinde standart aksesuar olarak dahil edilmiş olabilir. Bunlar ülkeden ülkeye farklılık gösterebilir.

Makita Europe N.V. Jan-Baptist Vinkstraat 2,
3070 Kortenberg, Belgium

Makita Corporation 3-11-8, Sumiyoshi-cho,
Anjo, Aichi 446-8502 Japan

www.makita.com

885636-991
EN, FR, DE, IT, NL,
ES, PT, DA, EL, TR
20180412