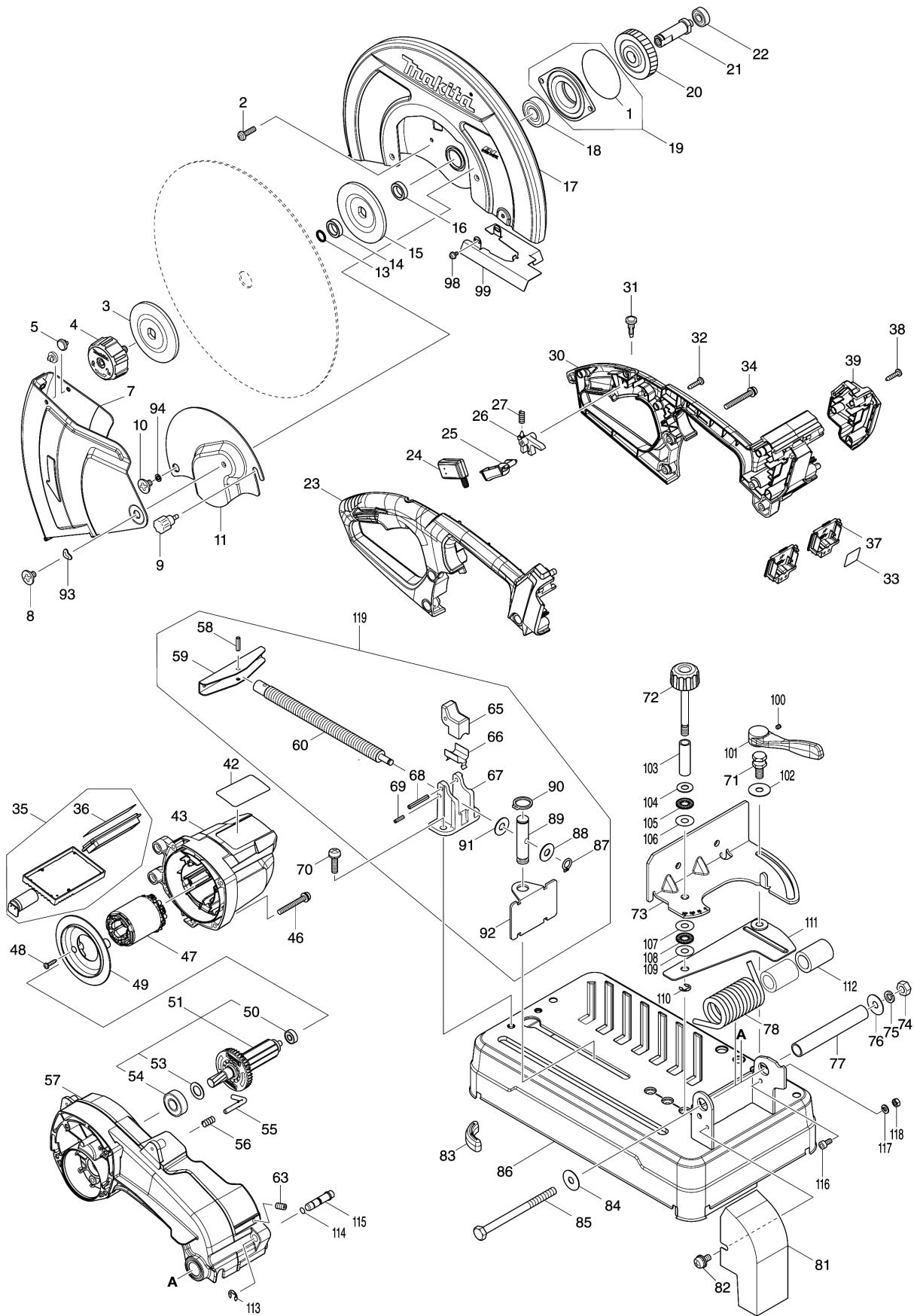


Model No.DLW140 355MM DC PORTABLE CUT-OFF



Model No.DLW140 355MM DC PORTABLE CUT-OFF

Position	Artikel-Nr.	Beschreibung	I/C	Stk.	New/Old	Opt. 1	Opt. 2	Hinweis
001	213858-0	O-RING 65		1				
002	265122-5	PAN HEAD SCREW M5X20		4				
003	224456-5	FLANGE 90		1				
004	123478-1	TOOLLESSBOLT ASSEMBLY		1				
005	418142-0	PLUG		2				
007	162490-6	SAFETY GUIDE		1				
008	265121-7	+ FLAT HEAD SCREW M6		1				
009	251488-9	THUMB SCREW M6X12		1				
010	265121-7	+ FLAT HEAD SCREW M6		1				
011	347095-5	CENTER COVER		1				
013	213180-5	O RING 14		1				
014	257255-0	RING 17		1				
015	224456-5	FLANGE 90		1				
016	257255-0	RING 17		1				
017	162489-1	SAFETY COVER		1				
018	211282-1	BALL BEARING 6203ZZ		1				
019	136029-1	BEARING BOX ASSY		1				
D10		INC. 1						
020	227811-0	HELICAL GEAR 50		1				
021	324321-9	SPINDLE		1				
022	210067-2	BALL BEARING 6000ZZ		1				
023	183K57-3	HANDLE SET		1	*			
C10	263005-3	RUBBER PIN 6		3	*			
D10		INC. 30			*			
023-1	183N94-5	HANDLE SET	<	1				
C10	263005-3	RUBBER PIN 6		3				
D10		INC. 30						
024	651083-9	SWITCH C3XA-1PSPM		1				
025	458737-7	SWITCH LEVER		1				
026	418139-9	SWITCH LOCK		1				
027	231397-8	COMPRESSION SPRING 4		1				
030	183K57-3	HANDLE SET		1	*			
C10	263005-3	RUBBER PIN 6		3	*			
D10		INC. 23			*			
030-1	183N94-5	HANDLE SET	<	1				
C10	263005-3	RUBBER PIN 6		3				
D10		INC. 23						
031	417113-4	SWITCH BUTTON		1				
032	266326-2	TAPPING SCREW 4X18		5				
033	854Y37-7	DLW140 SERIAL NO. LABEL		1				
034	265104-7	PAN HEAD SCREW M5X40		4				
035	620982-6	CONTROLLER COMPLETE		1				

Model No.DLW140 355MM DC PORTABLE CUT-OFF

Position	Artikel-Nr.	Beschreibung	I/C	Stk.	New/Old	Opt. 1	Opt. 2	Hinweis
D10		INC. 36						
036	818B34-9	INDICATION LABEL		1				
037	644809-6	TERMINAL		2				
038	266326-2	TAPPING SCREW 4X18		3				
039	140D72-8	BATTERY COVER COMPLETE		1				
C10	263005-3	RUBBER PIN 6		1				
042	854Y30-1	DLW140 NAME PLATE		1				
043	458733-5	MOTOR HOUSING		1				
046	265104-7	PAN HEAD SCREW M5X40		4				
047	629377-0	STATOR		1				
048	266326-2	TAPPING SCREW 4X18		2				
049	458736-9	BAFFLE PLATE		1				
050	210062-2	BALL BEARING 607ZZ		1				
051	519537-1	ROTOR ASSY		1				
D10		INC. 50,53,54						
053	267274-8	FLAT WASHER 15		1				
054	211240-7	BALL BEARING 6202ZZ		1				
055	324322-7	STOPPER		1				
056	233372-0	COMPRESSION SPRING 7		1				
057	140D69-7	GEAR HOUSING COMPLETE		1				
C10	263005-3	RUBBER PIN 6		1				
058	951163-4	SPRING PIN 5-20		1				
059	272027-2	HANDLE 120		1				
060	324323-5	WISE SCREW		1	*			
060-1	326802-9	WISE SCREW	O	1				
063	266321-2	H.S.SET SCREW(FLAT POINT)M6X16		1				
065	313114-9	WISE NUT		1				
066	345311-9	PLATE		1				
067	317662-0	SCREW GUIDE		1				
068	951175-7	SPRING PIN 5-36		1				
069	951110-5	SPRING PIN 4-16		1				
070	265125-9	PAN HEAD SCREW M8X30		2				
071	266996-7	COLLAR BOLT M10X20		1				
072	271331-6	KNOB 40		1				
073	347280-0	GUIDE PLATE		1				
074	252183-4	HEX.NUT M10-17		1				
075	942251-8	SPRING WASHER 10		1				
076	253197-6	FLAT WASHER 10		1				
077	331648-0	PIPE 20-128		1				
078	232478-1	TORSION SPRING 33		1				
081	161399-9	SPARK GUARD		1				
082	265144-5	PAN HEAD SCREW M6X12		1				

Please order the parts with part number.

Print Date 1/9/2020

Model No.DLW140 355MM DC PORTABLE CUT-OFF

Position	Artikel-Nr.	Beschreibung	I/C	Stk.	New/Old	Opt. 1	Opt. 2	Hinweis
083	421834-2	CUSHION		3				
084	253197-6	FLAT WASHER 10		1				
085	265509-1	HEX.BOLT M10X140		1				
086	161432-7	BASE		1				
087	961004-6	RETAINING RING S-8		1				
088	267257-8	FLAT WASHER 8		1				
089	256545-8	PIN 16		1				
090	961056-7	RETAINING RING S-16		1				
091	267257-8	FLAT WASHER 8		1				
092	347277-9	WISE PLATE		1				
093	253903-9	WAVE WASHER 6		1				
094	941152-7	FLAT WASHER 6		1				
098	911103-4	PAN HEAD SCREW M4X6		2				
099	347275-3	SPARK COVER		1				
100	266264-8	H.S.SET SCREW(FLAT POINT)M5X6		1				
101	272286-8	LEVER 125		1				
102	253197-6	FLAT WASHER 10		1				
103	257389-9	SLEEVE 11		1				
104	253180-3	FLAT WASHER 10		1				
105	216413-7	THRUST NEEDLE CAGE 1024		1				
106	253353-8	THIN WASHER 10		1				
107	253353-8	THIN WASHER 10		1				
108	216413-7	THRUST NEEDLE CAGE 1024		1				
109	253353-8	THIN WASHER 10		1				
110	961014-3	STOP RING E-8		1				
111	161402-6	GUIDE BASE		1				
112	257413-8	SLEEVE 20		2				
113	961014-3	STOP RING E-8		1				
114	213011-8	O RING 7		1				
115	326624-7	STOPPER PIN		1				
116	922312-0	HEX. SOCKET HEAD BOLT M6X12		1				
117	253428-3	SPRING WASHER 6		1				
118	931302-2	HEX. NUT M6		1				
119	135881-4	WISE ASS'Y		1				
D10		INC. 58-60,65-69,87-92						
A01	B-64696	14" CUT-OFF WHEEL 355X2.5X25.4		1				
A02B	450128-8	BATTERY COVER		2				
A03B	***DC18RD	DC18RD TWO PORT FAST CHARGER		1				
D10		COMPO-PARTS						
A04B	197280-8	BATTERY BL1850B SET		2	*			

Model No.DLW140 355MM DC PORTABLE CUT-OFF

Position	Artikel-Nr.	Beschreibung	I/C	Stk.	New/Old	Opt. 1	Opt. 2	Hinweis
A04-1B	197280-8	BATTERY BL1850B SET	0	2				

Please order the parts with part number.

Print Date 1/9/2020