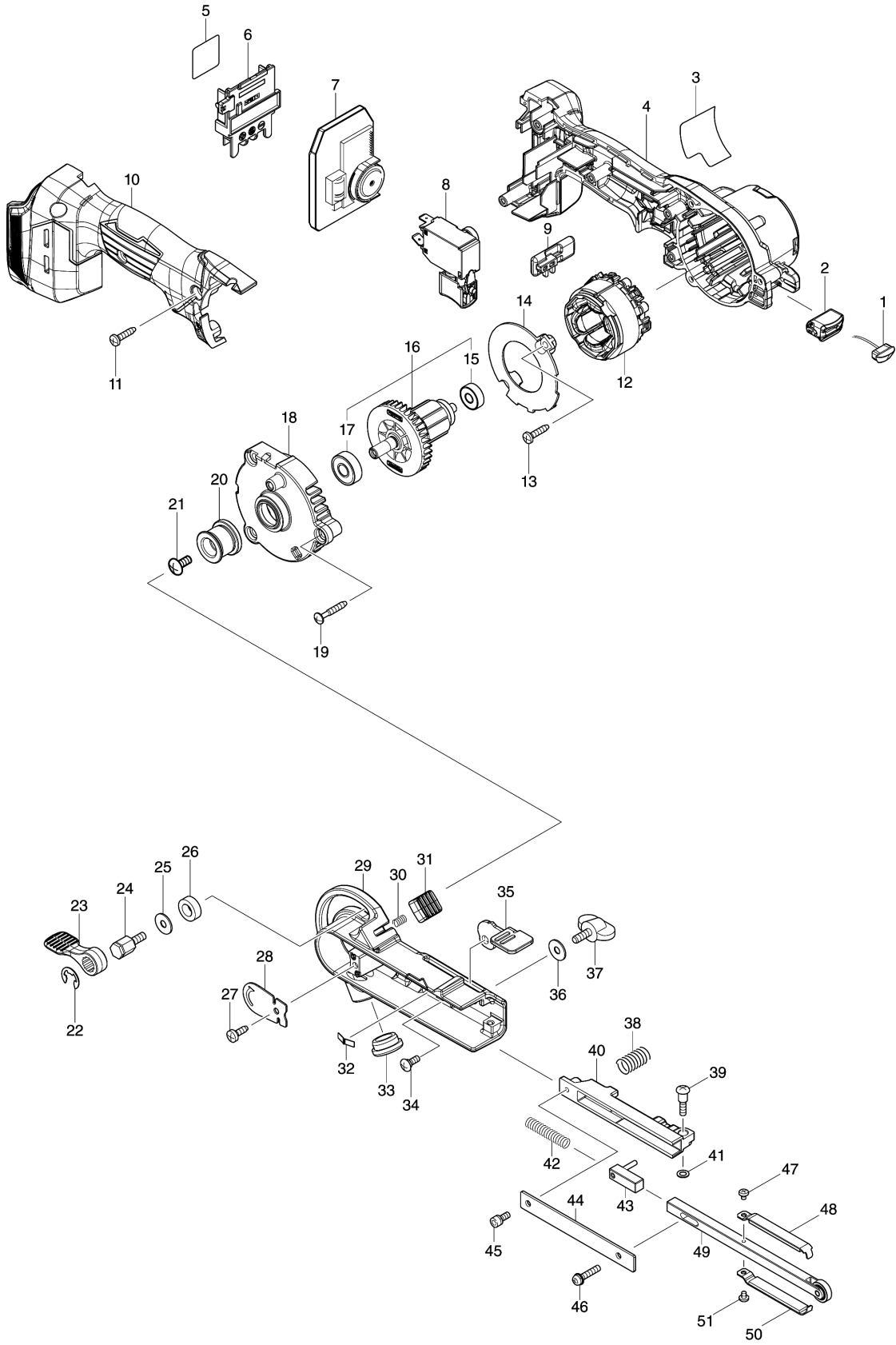


Model No.DBS180 9MM CORDLESS BELT SANDER



Model No.DBS180 9MM CORDLESS BELT SANDER

Position	Artikel-Nr.	Beschreibung	I/C	Stk.	New/Old	Opt. 1	Opt. 2	Hinweis
001	620D54-1	LED CIRCUIT		1				
002	412719-3	LED HOUSING		1				
003	857S44-3	DBS180 NAME PLATE		1				
004	183R39-7	MOTOR HOUSING HANDLE COVER SET		1				
C10	263005-3	RUBBER PIN 6		2				
D10		INC. 10						
005	857S52-4	DBS180 SERIAL NO. LABEL		1				
006	643874-2	TERMINAL		1				
007	620D53-3	CONTROLLER		1				
008	651493-0	SWITCH C3JW-4CM-1L		1				
009	412720-8	CHANGE LEVER		1				
010	183R39-7	MOTOR HOUSING HANDLE COVER SET		1				
C10	263005-3	RUBBER PIN 6		2				
D10		INC. 4						
011	266326-2	TAPPING SCREW 4X18		5				
012	629A24-9	STATOR		1				
013	266326-2	TAPPING SCREW 4X18		2				
014	412718-5	BAFFLE PLATE		1				
015	210031-3	BALL BEARING 606DDW		1				
016	519645-8	ROTOR ASSY		1				
D10		INC. 15,17						
017	210005-4	BALL BEARING 608DDW		1				
018	312A10-4	BRACKET		1				
019	265999-8	TAPPING SCREW 4X25		3				
020	317522-6	DRIVING ROLLER		1				
021	265092-8	TRUSS HEAD SCREW M5X12		1				
022	961014-3	STOP RING E-8		1				
023	272229-0	LEVER 40		1				
024	265494-8	HEX. BOLT M5X13		1				
025	253807-5	FLAT WASHER 5		1				
026	257249-5	RING 9		1				
027	266026-4	TAPPING SCREW BIND CT 4X12		1				
028	345196-3	SAFETY COVER		1				
029	140U96-6	PULLEY COVER COMPLETE		1				
030	231026-3	COMPRESSION SPRING 4		1				
031	412721-6	KNOB		1				
032	232185-6	LEAF SPRING		1				
033	421198-4	CAP		1				
034	265028-7	+ PAN HEAD SCREW M4X11		1				
035	345197-1	CAM LEVER		1				
036	253807-5	FLAT WASHER 5		1				

Please order the parts with part number.

Print Date 1/9/2020

Model No.DBS180 9MM CORDLESS BELT SANDER

Position	Artikel-Nr.	Beschreibung	I/C	Stk.	New/Old	Opt. 1	Opt. 2	Hinweis
037	265720-5	THUMB SCREW M5X14		1				
038	233333-0	COMPRESSION SPRING 10		1				
039	265090-2	+ PAN HEAD SCREW M4X20		1				
040	317525-0	ARM HOLDER		1				
041	941052-1	FLAT WASHER 4		1				
042	233332-2	COMPRESSION SPRING 6		1				
043	153312-1	ARM TENSIONER COMPLETE		1				
044	345195-5	ARM COVER		1				
045	922111-0	HEX. SOCKET HEAD BOLT M4X10		1				
046	911138-5	P.H.SCREW M4X20 WITH WR		1				
047	265040-7	+ PAN HEAD SCREW M3X4		1				
048	153314-7	SHOE 9 COMPLETE		1				
049	153310-5	ARM 9 COMPLETE		1				
050	153314-7	SHOE 9 COMPLETE		1				
051	265040-7	+ PAN HEAD SCREW M3X4		1				
A01	A-34469	ABRASIVE BELT 9X533-AA80		1				
A02	122652-8	DUST NOZZLE ASS'Y		1				
A03	140W02-3	GRIP BASE COMPLETE		1				
A04	144163-3	GRIP 36 COMPLETE		1				

Please order the parts with part number.

Print Date 1/9/2020