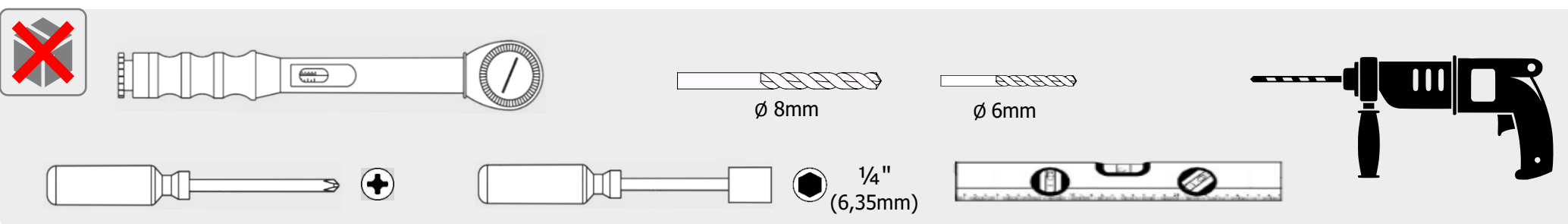
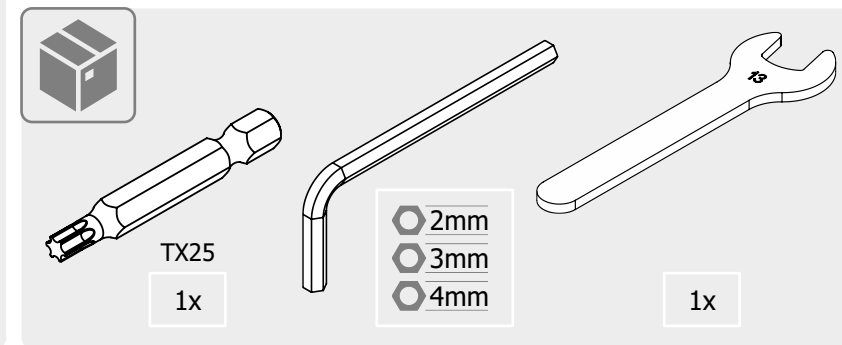
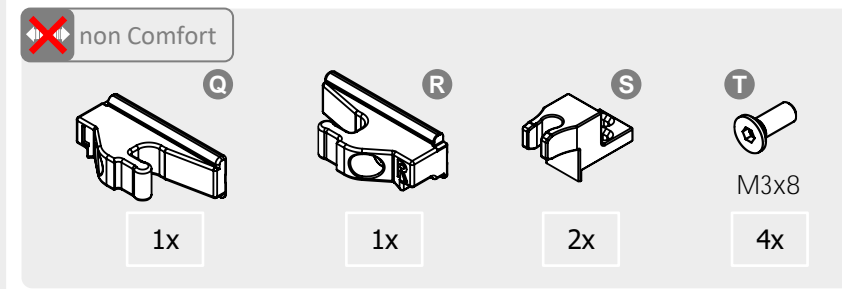
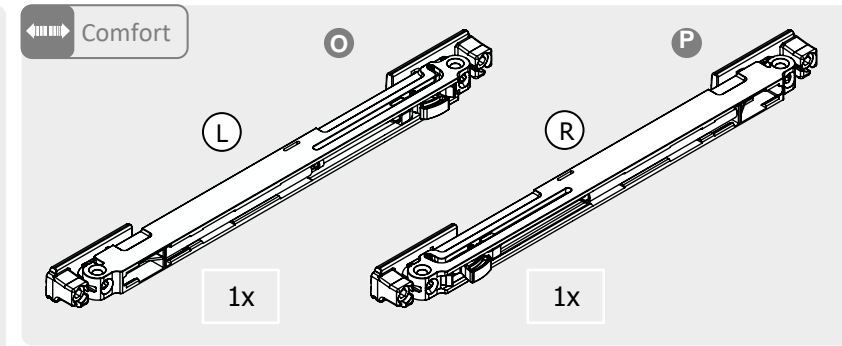
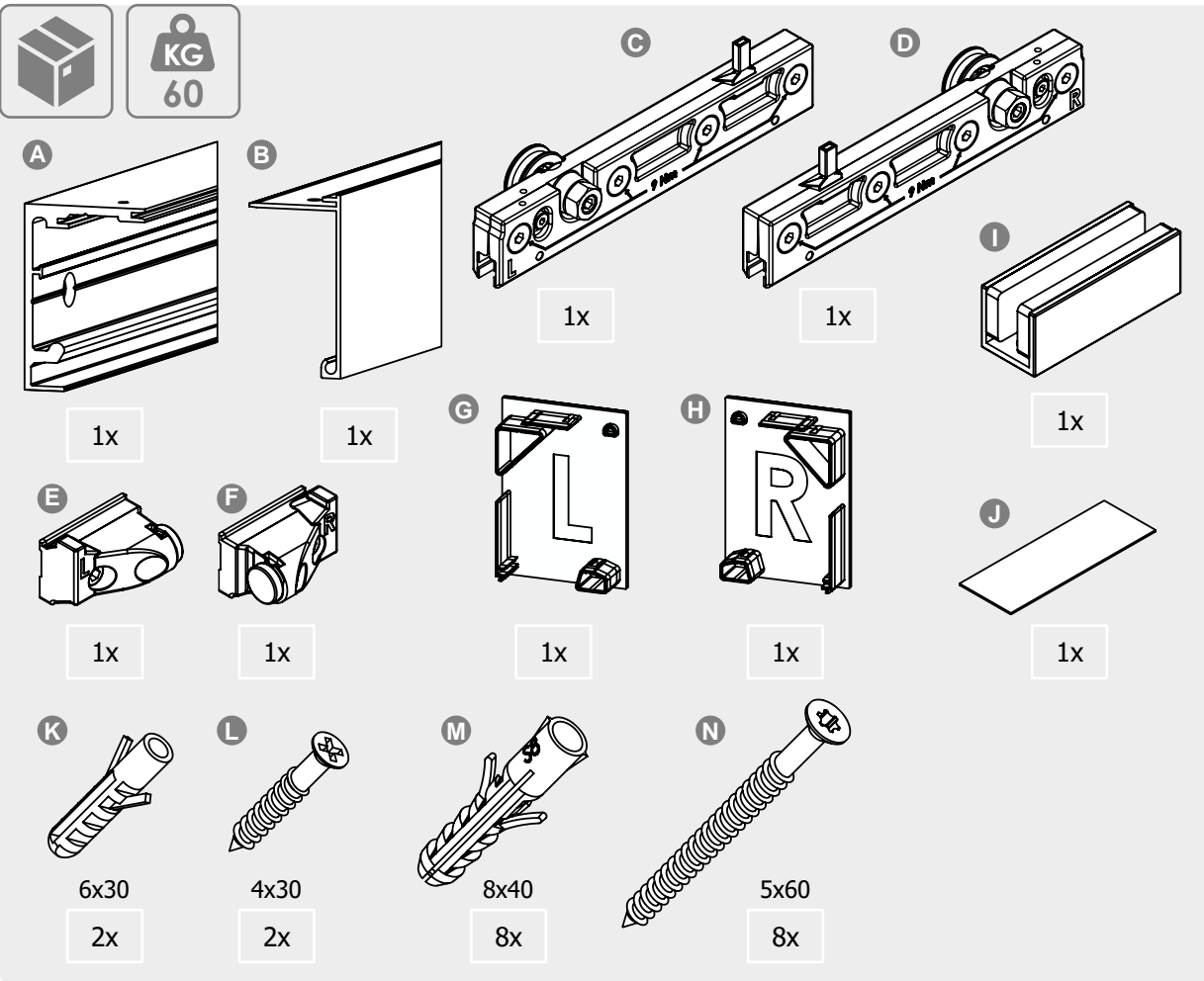

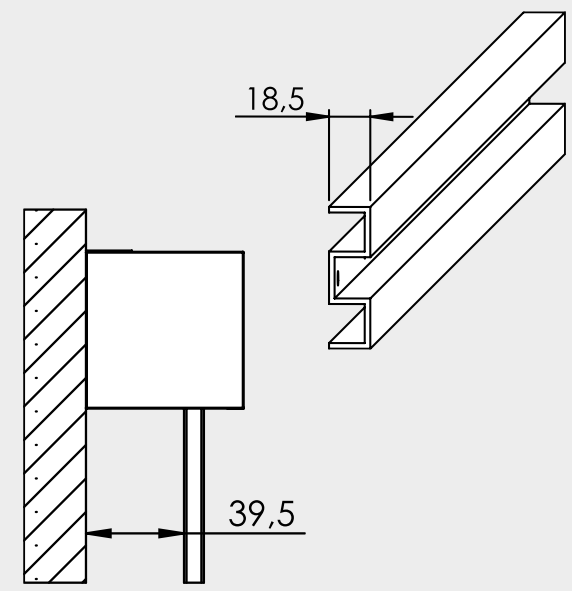
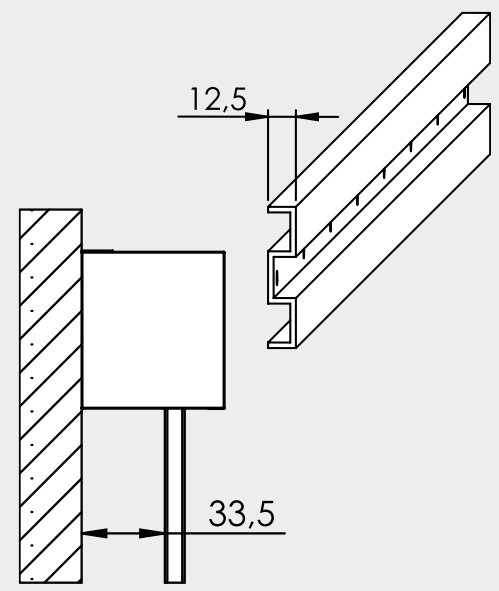
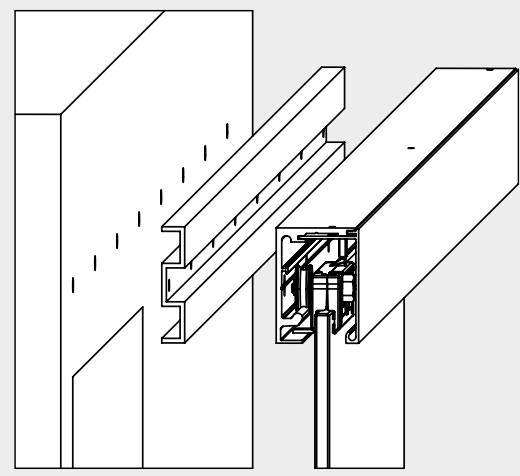
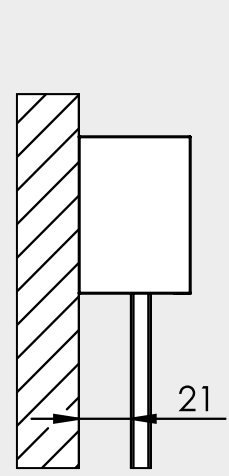
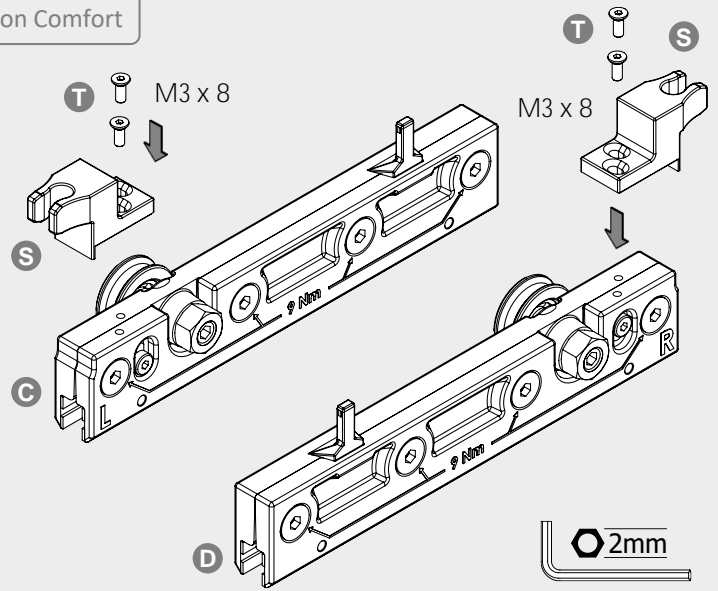


SCHIEBETÜRSYSTEM X60 GLAS 1-FLG. + COMFORT / sliding door system X60 glass 1-leaf + comfort

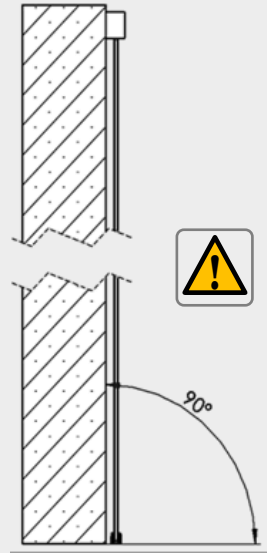
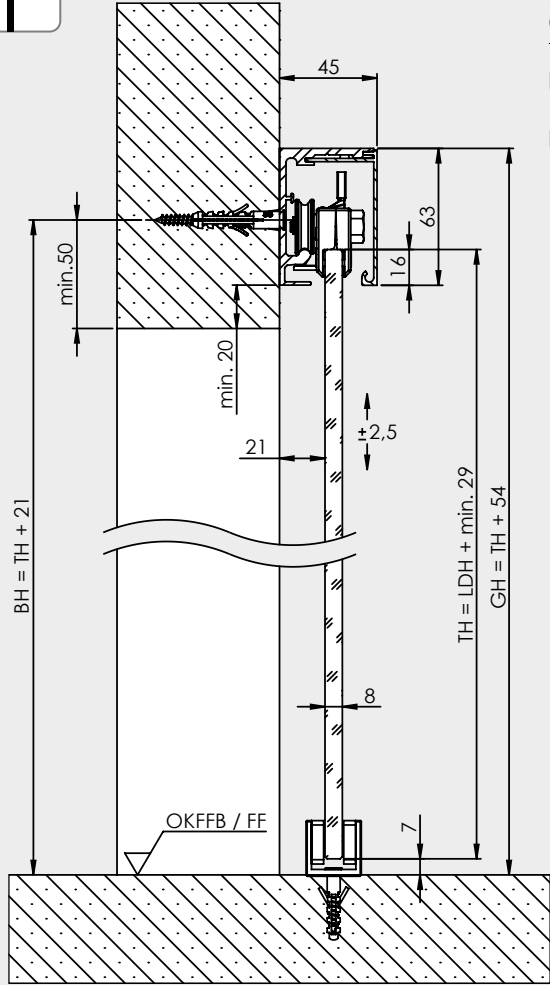


SCHIEBETÜRSYSTEM X60 GLAS 1-FLG. + COMFORT / sliding door system X60 glass 1-leaf + comfort

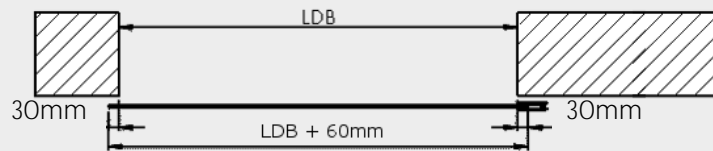
 non Comfort



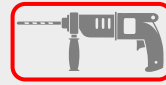
SCHIEBETÜRSYSTEM X60 GLAS 1-FLG. + COMFORT / sliding door system X60 glass 1-leaf + comfort



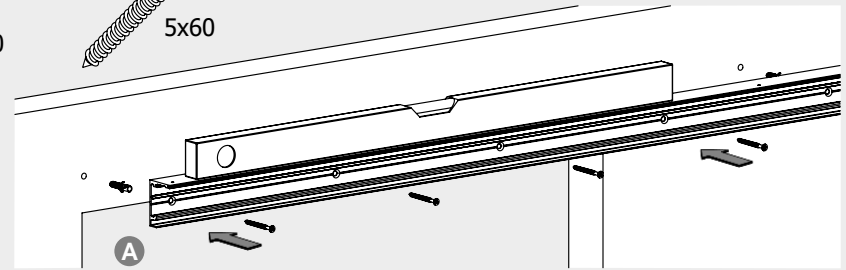
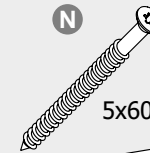
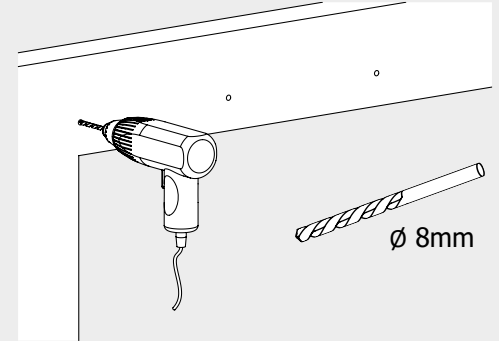
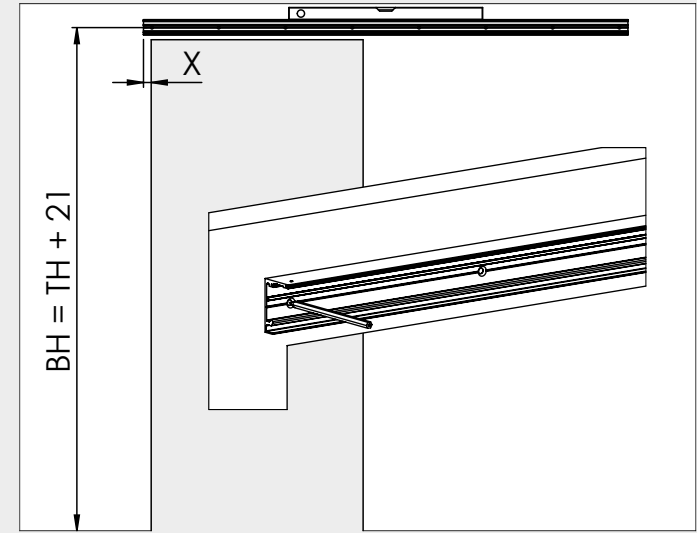
Glasüberstand: 30mm empfohlen
Glass overlap: 30mm recommended



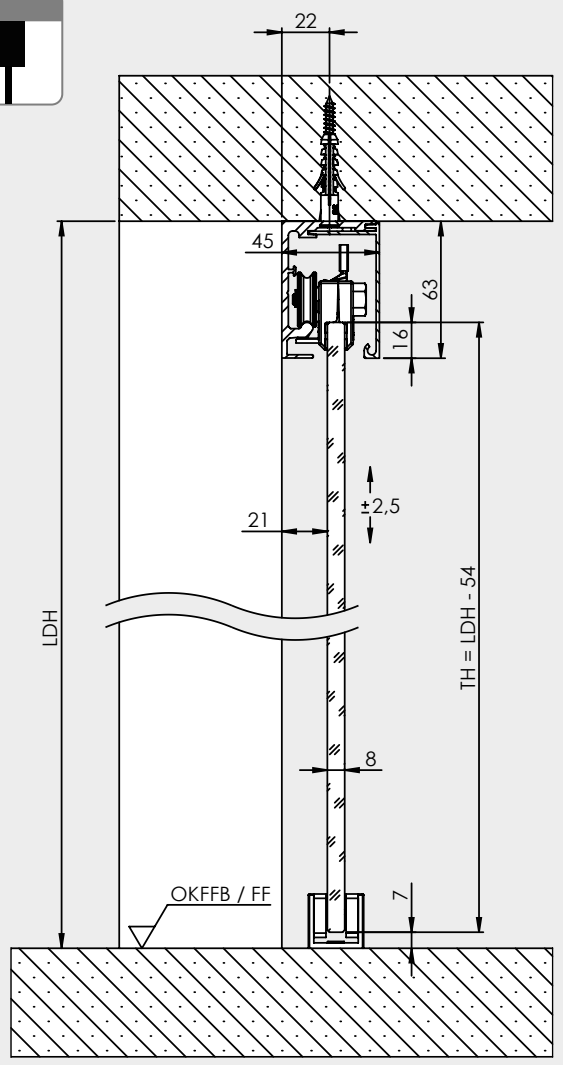
1



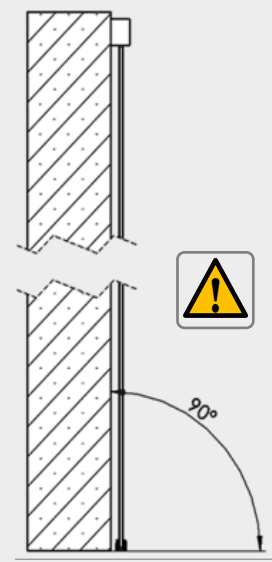
X = 32mm



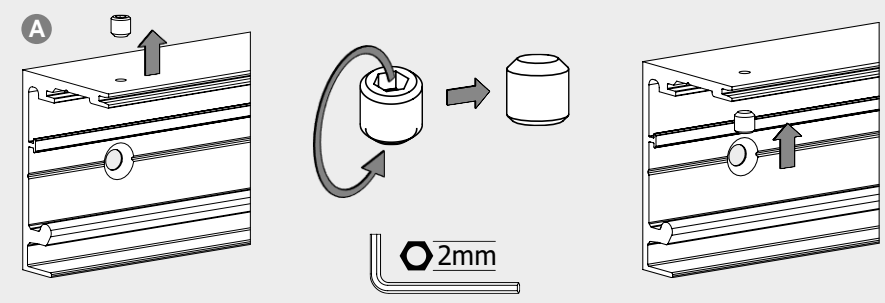
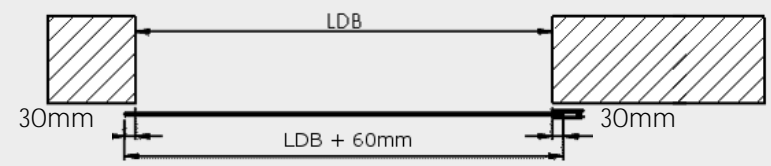
SCHIEBETÜRSYSTEM X60 GLAS 1-FLG. + COMFORT / sliding door system X60 glass 1-leaf + comfort



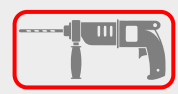
TH = Türhöhe / door height
 LDH = Lichte Durchgangshöhe / pass line height
 LDB = Lichte Durchgangsbreite / pass line width



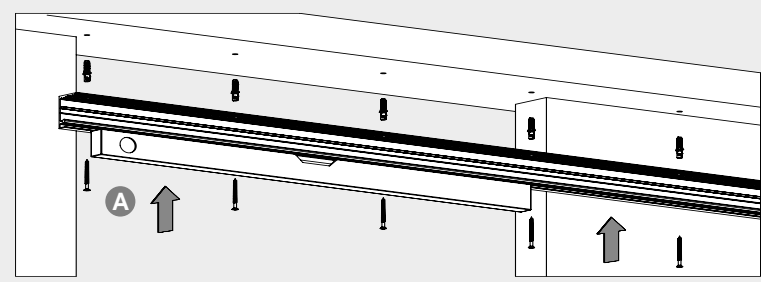
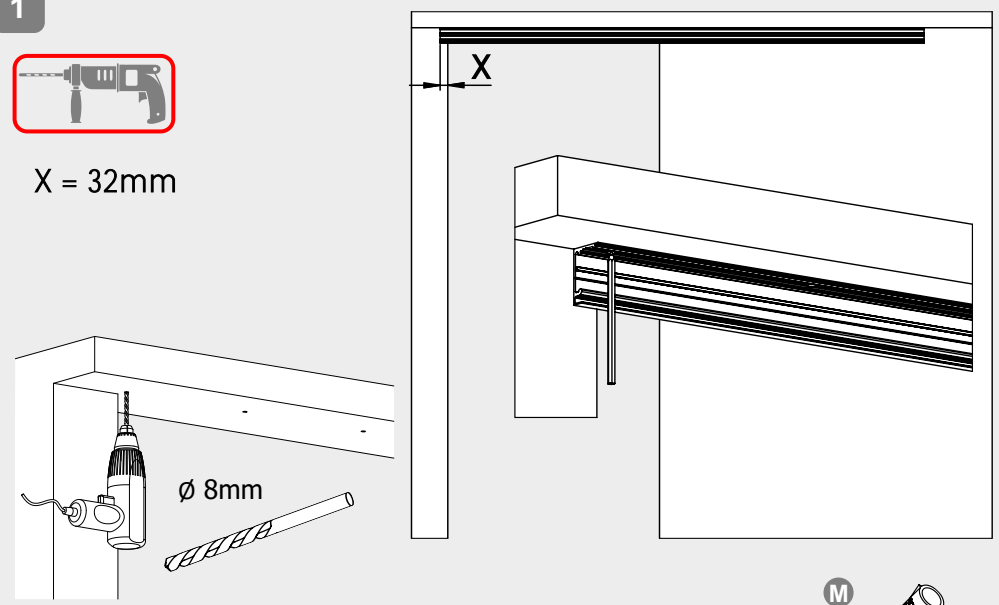
Glasüberstand: 30mm empfohlen
 Glass overlap: 30mm recommended



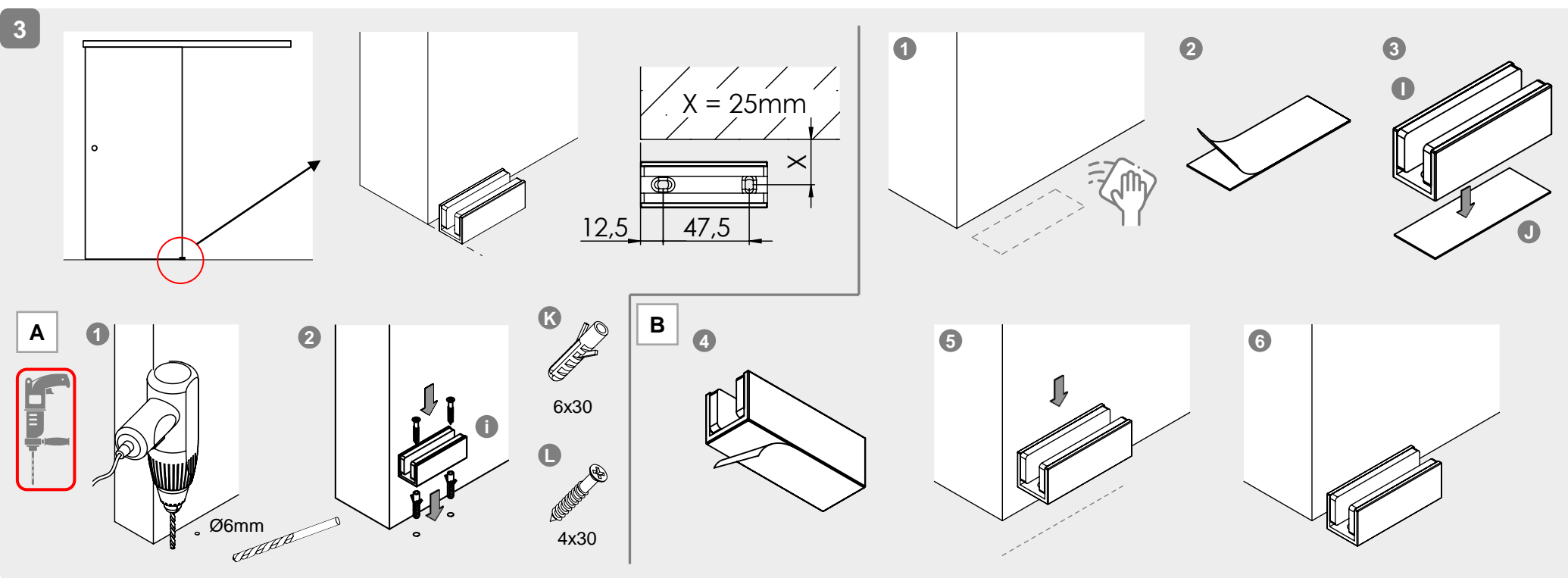
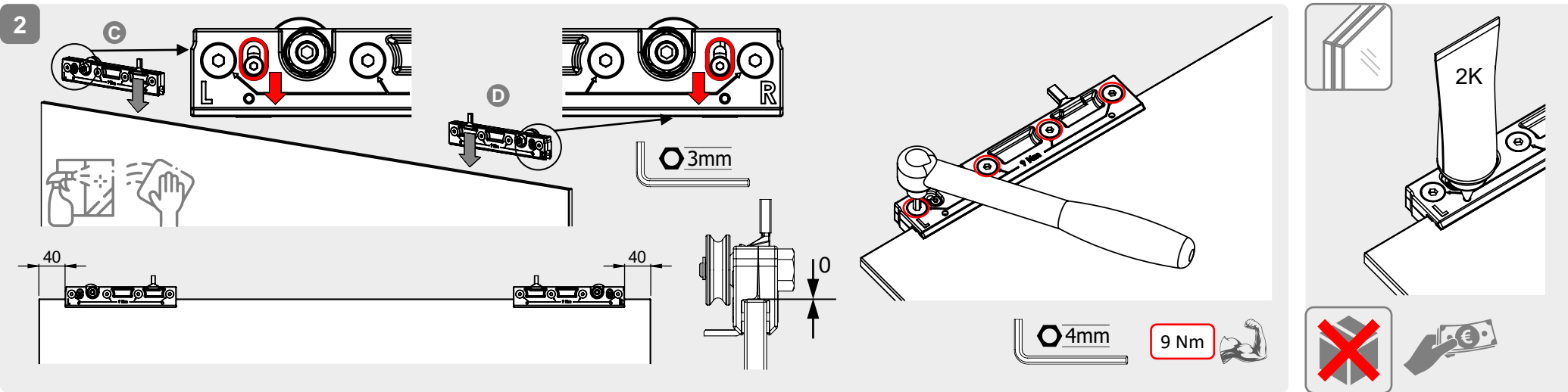
1



X = 32mm



SCHIEBETÜRSYSTEM X60 GLAS 1-FLG. + COMFORT / sliding door system X60 glass 1-leaf + comfort



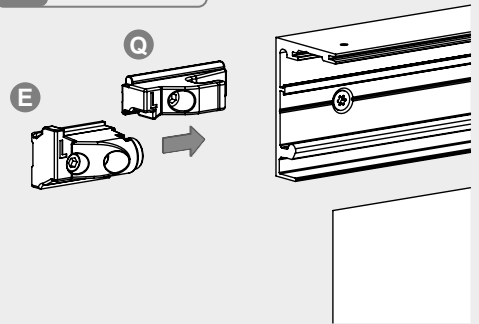
SCHIEBETÜRSYSTEM X60 GLAS 1-FLG. + COMFORT / sliding door system X60 glass 1-leaf + comfort

4

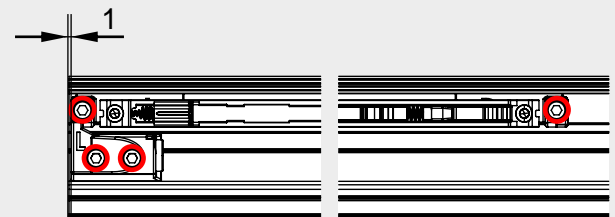
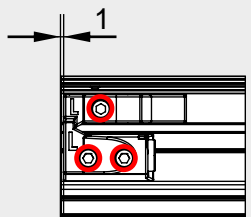
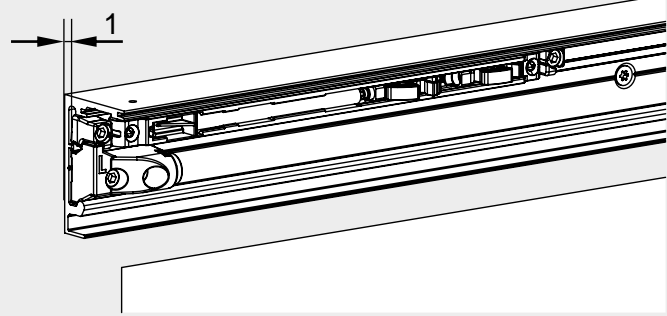
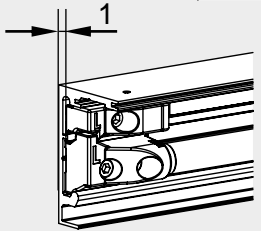
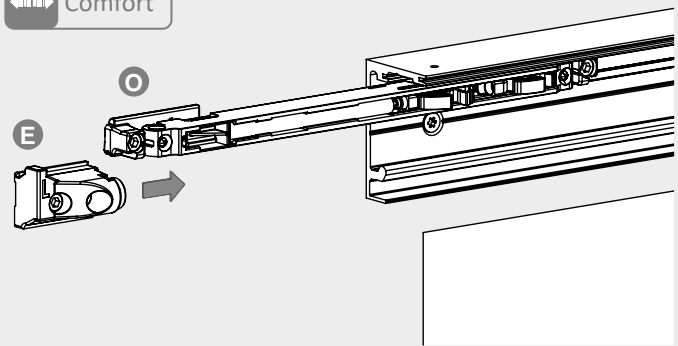


4mm 4-5 Nm

non Comfort



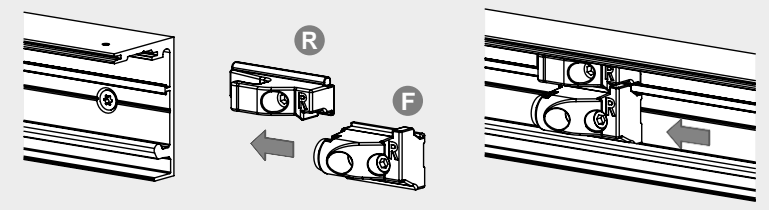
Comfort



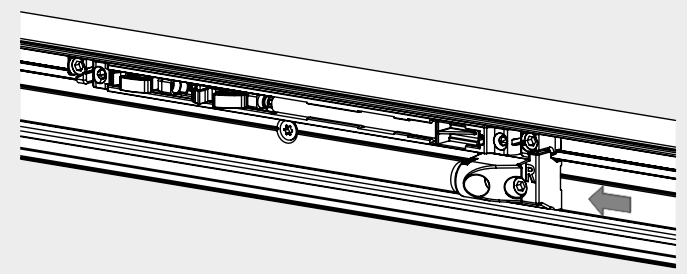
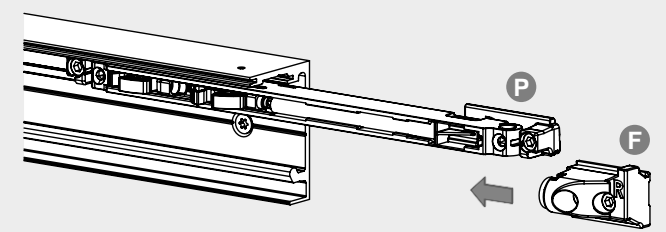
5



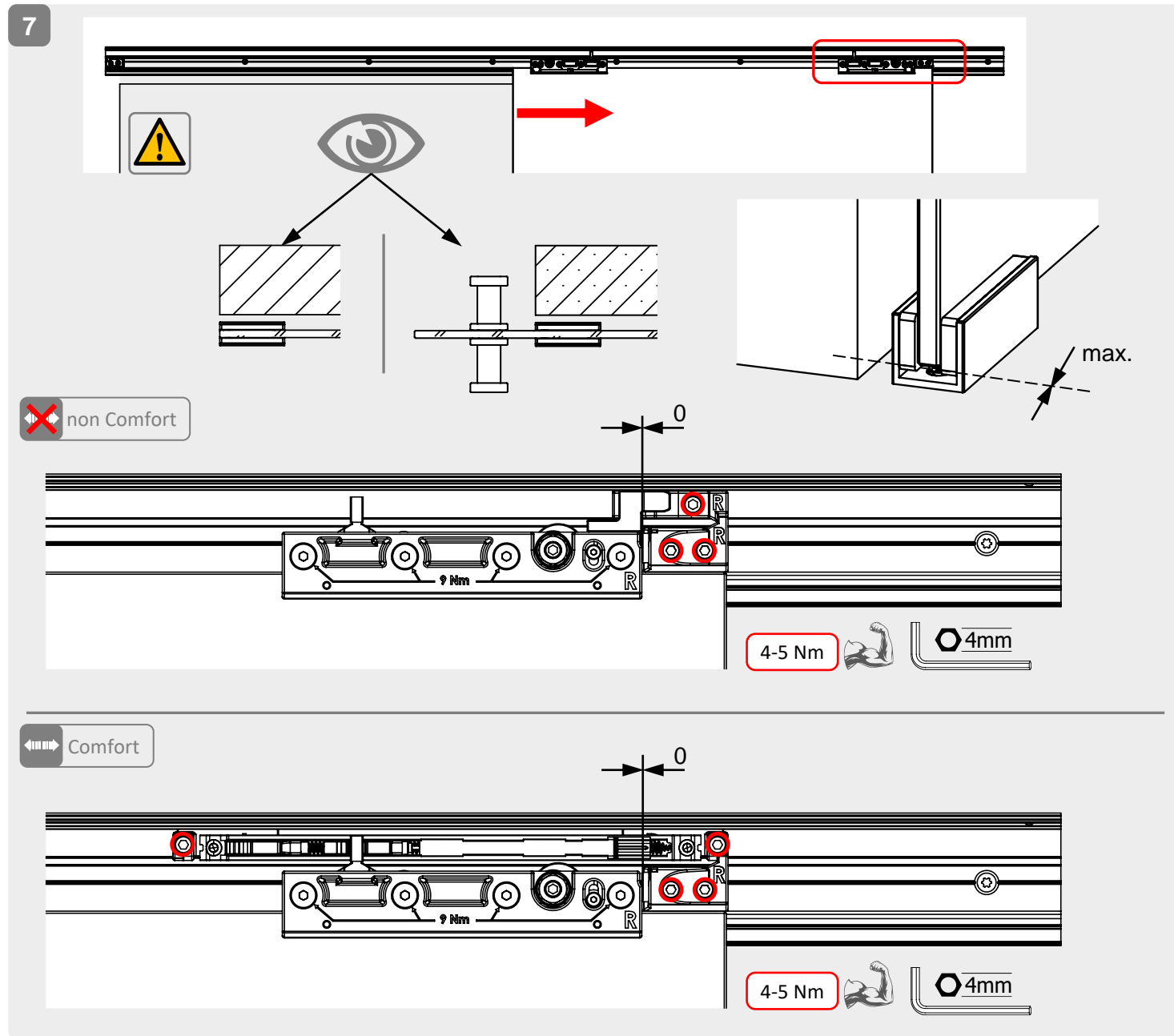
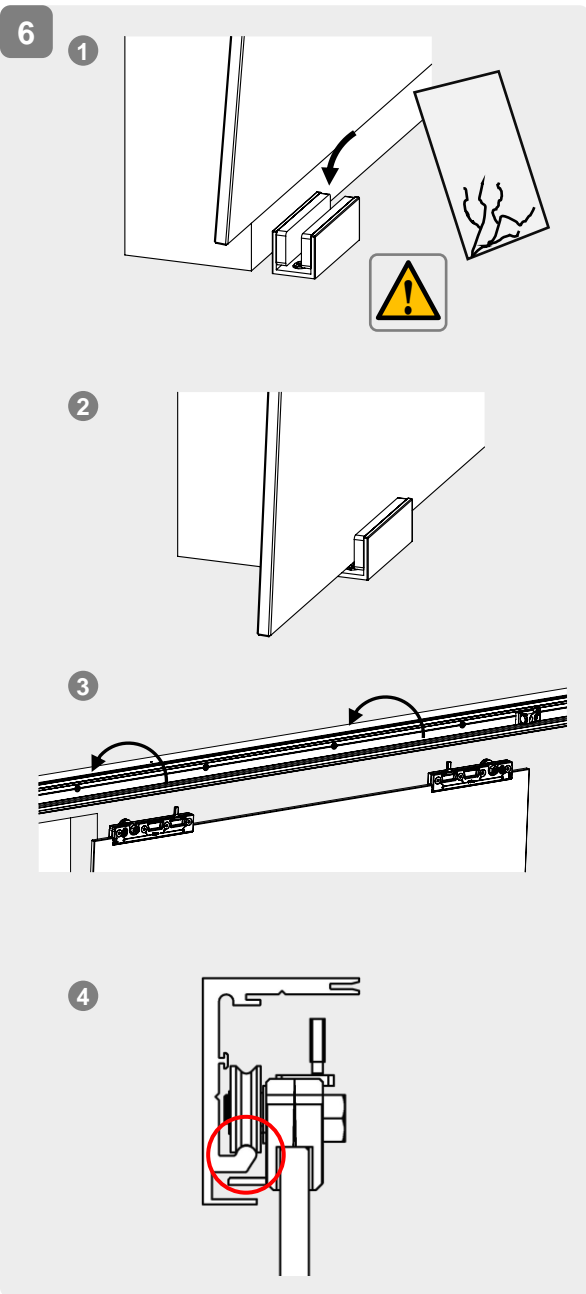
non Comfort



Comfort



SCHIEBETÜRSYSTEM X60 GLAS 1-FLG. + COMFORT / sliding door system X60 glass 1-leaf + comfort



SCHIEBETÜRSYSTEM X60 GLAS 1-FLG. + COMFORT / sliding door system X60 glass 1-leaf + comfort

