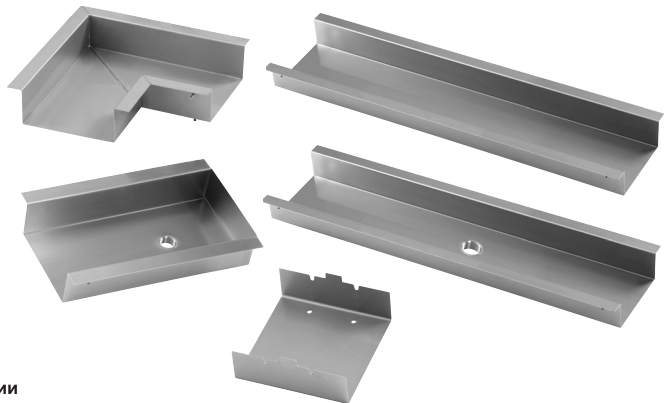
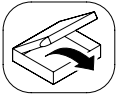




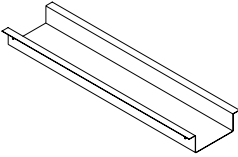
Bachlaufschalen *Start-End/Gerade/Ecke/ Leuchtelement/Verbindung*

- DE Gebrauchsanleitung
- GB Operating instructions
- FR Notice d'emploi
- NL Gebruiksaanwijzing
- ES Instrucciones de uso
- PT Instruções de uso
- IT Istruzioni d'uso
- DK Brugsanvisning
- NO Bruksanvisning
- SE Bruksanvisning
- FI Käyttöohje
- HU Használati útmutató
- PL Instrukcja użytkowania
- CZ Návod k použití
- SK Návod na použitie
- SI Navodila za uporabo
- HR Uputa o upotrebi
- RO Instrucțiuni de folosință
- BG Упътване за употреба
- UA Посібник з експлуатації
- RU Руководство по эксплуатации
- CN 使用说明书

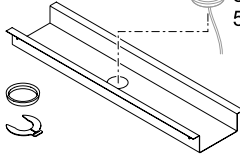




50781

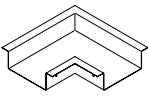


50809

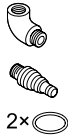
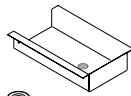


51043 - LunAqua Terra LED, Set 3
50729 - LunAqua Terra LED, Set 6

50789

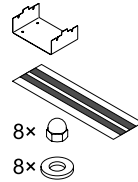


50800



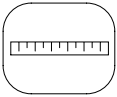
2x

50801

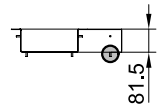
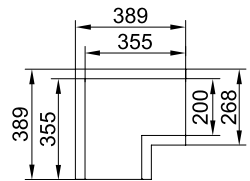
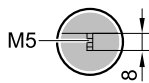
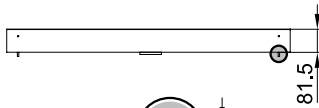
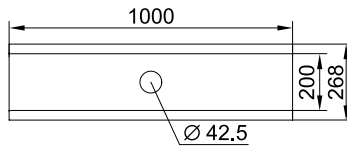
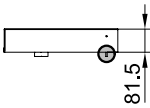
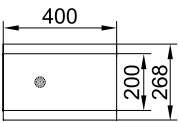


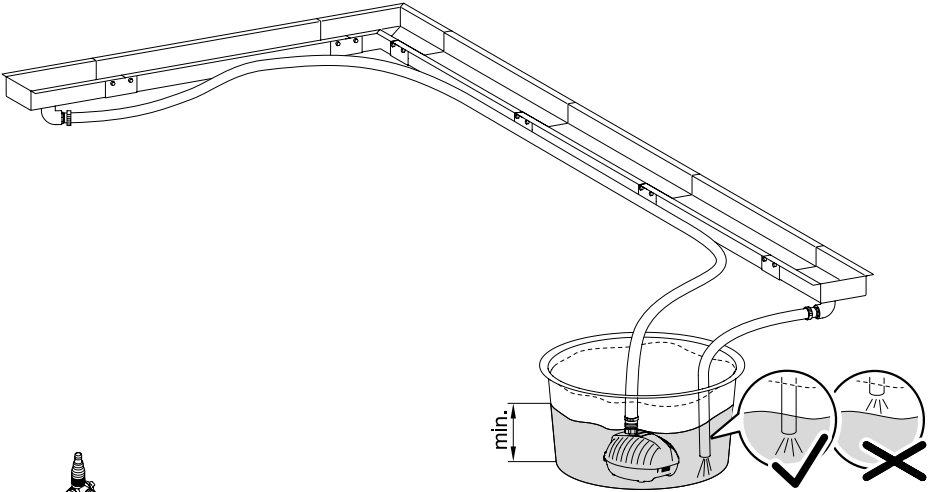
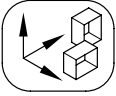
8x

8x



[mm]


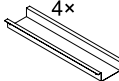
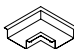

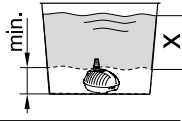

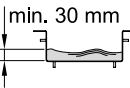
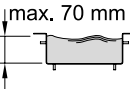


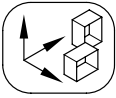


Aquarius Fountain Set 2500



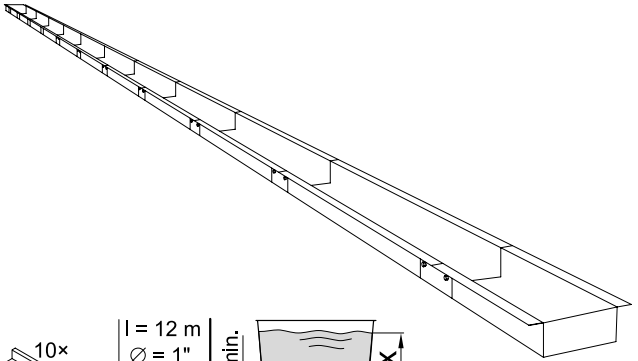
WR 80


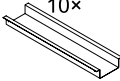

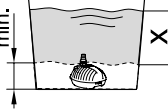

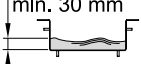
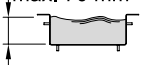
	2x 	4x 	1x 	$l = 8\text{ m}$ $\varnothing = 1''$ 					
 min. 30 mm 	5 l	+	24 l	+	3 l	+	4 l	=	x = 36 l
max. 70 mm 	11 l	+	56 l	+	7 l	+	4 l	=	x = 78 l

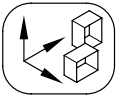


Aquarius Fountain Set 2500

WR 100

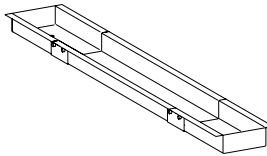



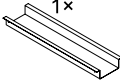

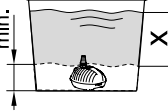

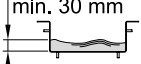
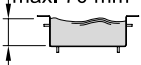
	2x 	10x 	$l = 12\text{ m}$ $\varnothing = 1''$ 	
 min. 30 mm 	5 l	60 l	6 l	= 71 l (x)
max. 70 mm 	11 l	140 l	6 l	= 157 l (x)

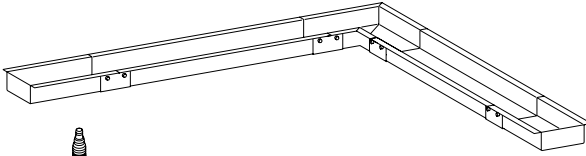
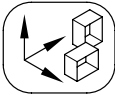


Aquarius Fountain Set 2500

WR 60




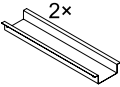


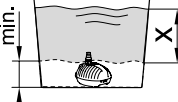

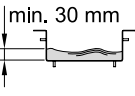
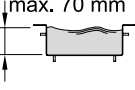
	2x 	1x 	$l = 5\text{ m}$ $\varnothing = 1''$ 	
 min. 30 mm 	5 l	6 l	2.5 l	= 13.5 l (x)
max. 70 mm 	11 l	14 l	2.5 l	= 27.5 l (x)

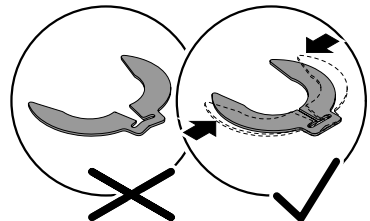
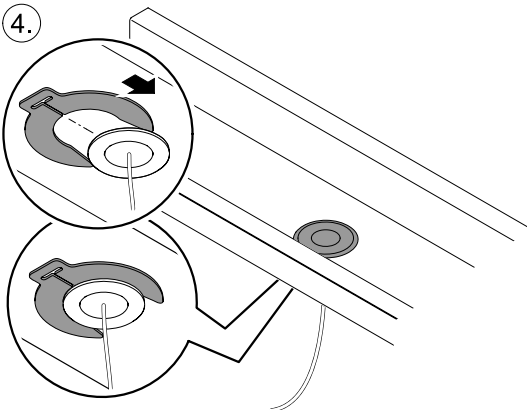
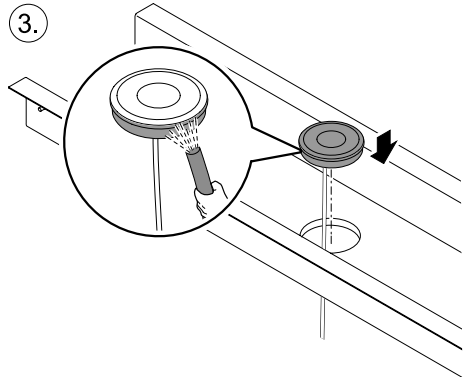
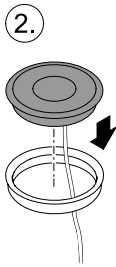
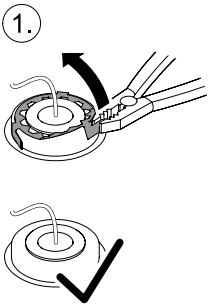
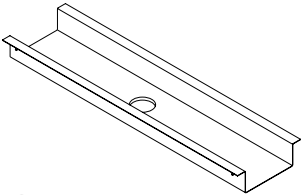
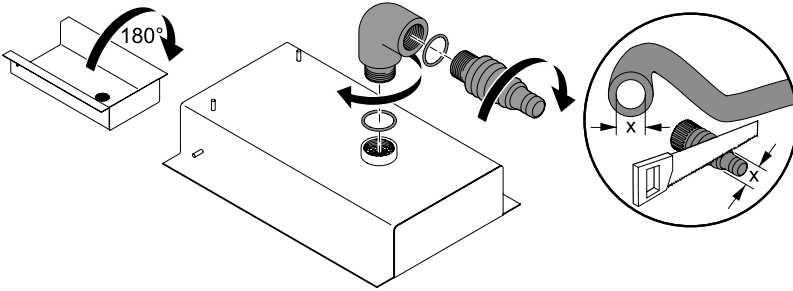


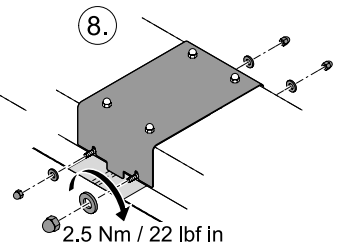
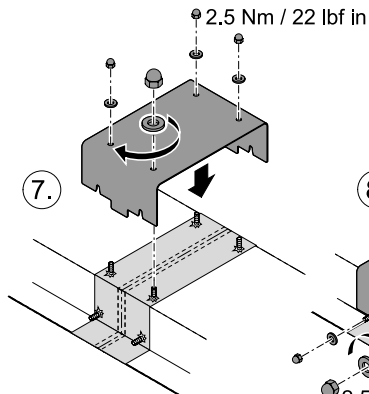
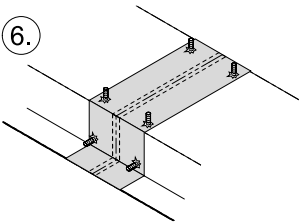
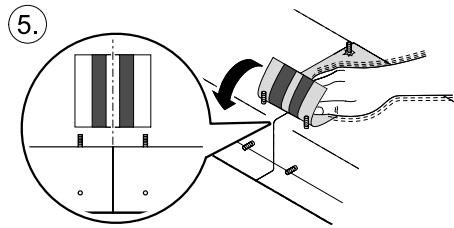
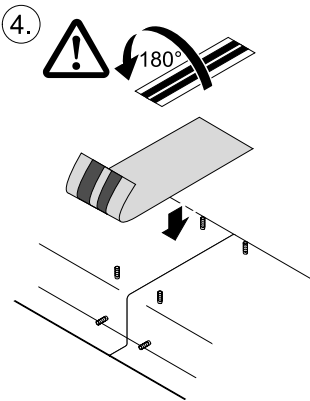
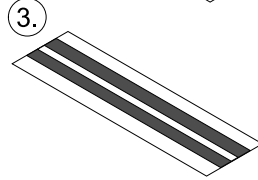
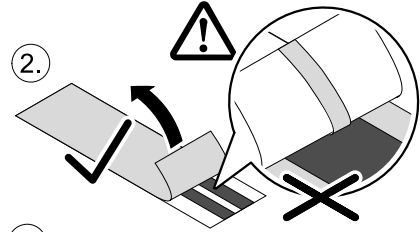
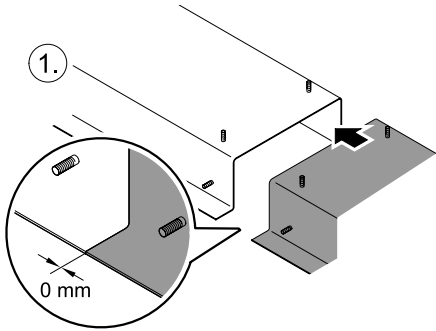
Aquarius Fountain
Set 2500

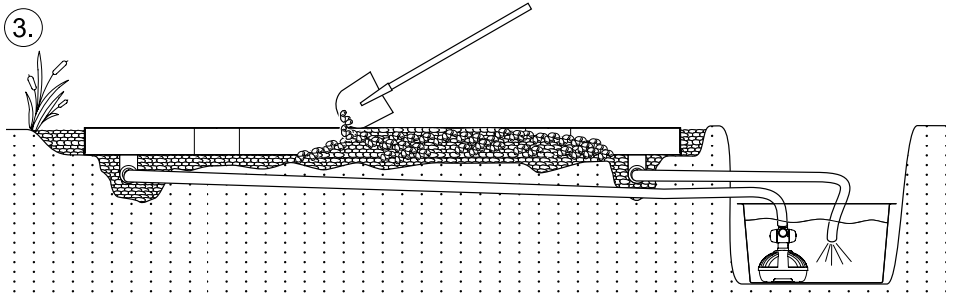
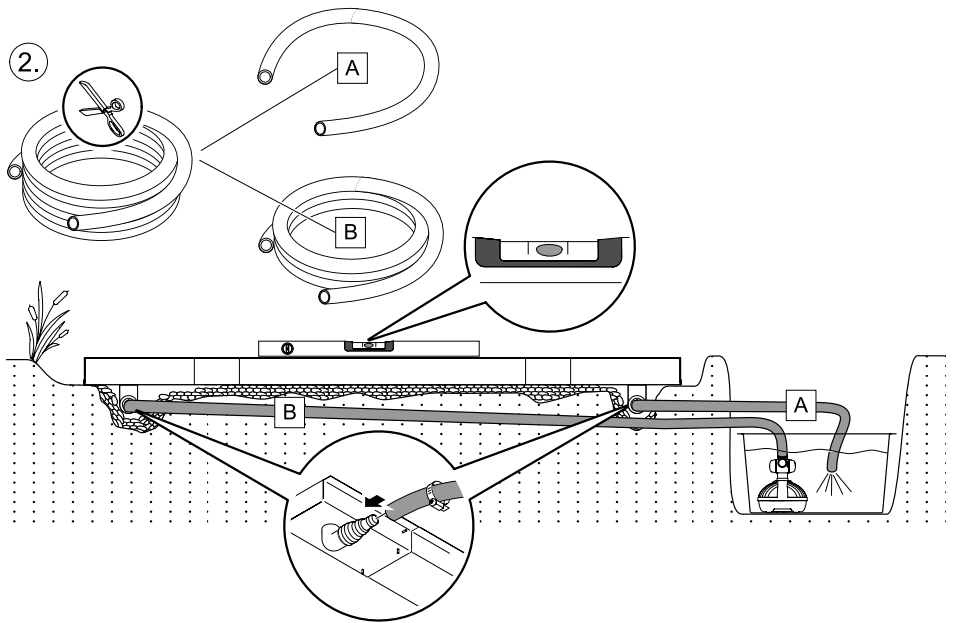
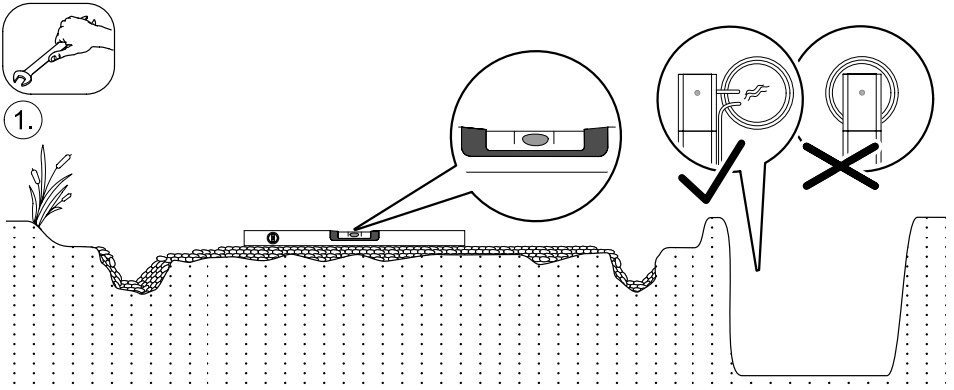


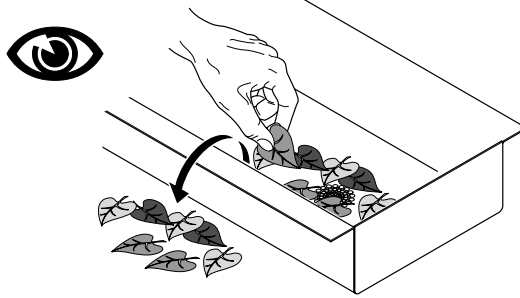
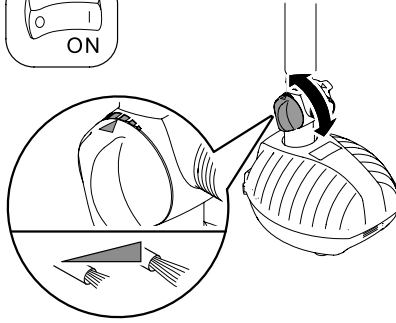
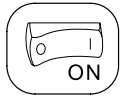
WR 60

	2x 	2x 	1x 	l = 6 m Ø = 1" 	
 min. 30 mm 	5 l +	12 l +	3 l +	3 l =	23 l (x)
max. 70 mm 	11 l +	28 l +	7 l +	3 l =	49 l (x)









18306



18311



2× 

18671



8× 

8× 