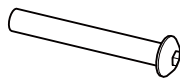
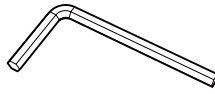


# Assembly Instructions



A. X 8



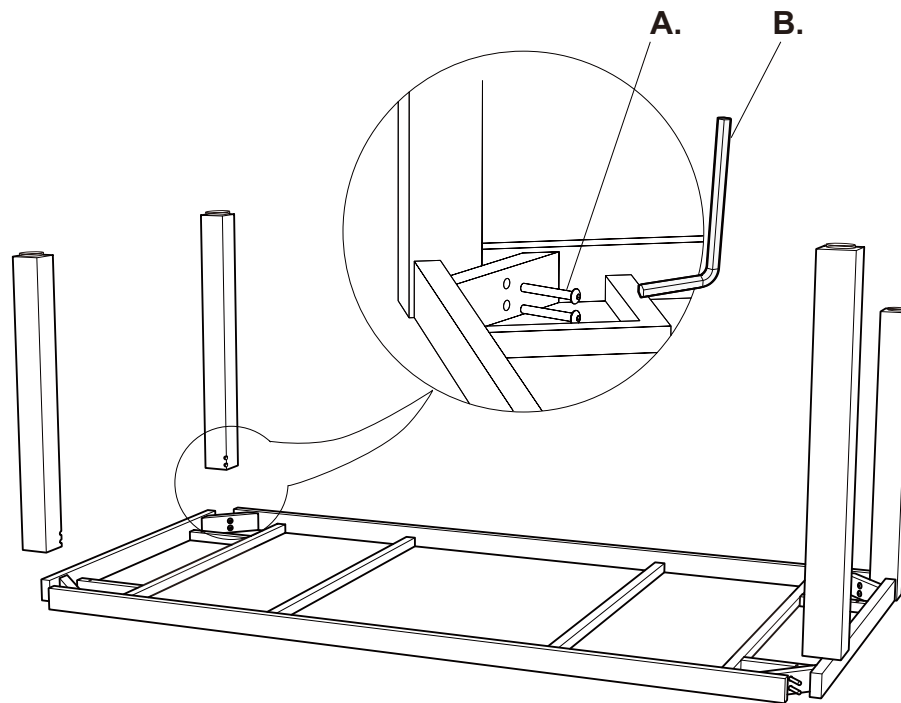
B. X 1



C. X 12



1.



2.

