



YARD FORCE®

LAWN & GARDEN EQUIPMENT

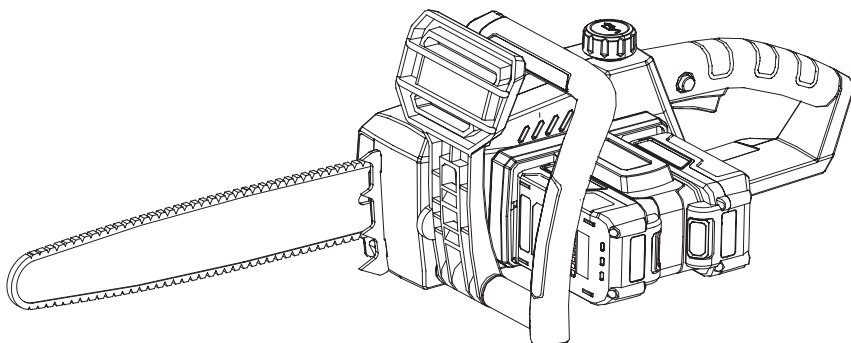
LS C35W

GY1792

GB

40V CORDLESS CHAIN SAW

Original Instructions



SOLD SEPARATELY

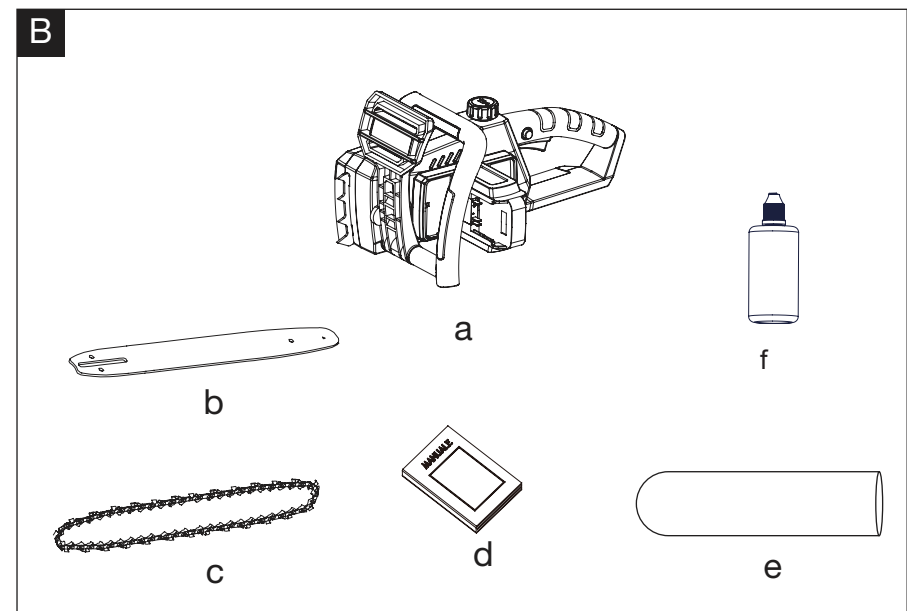
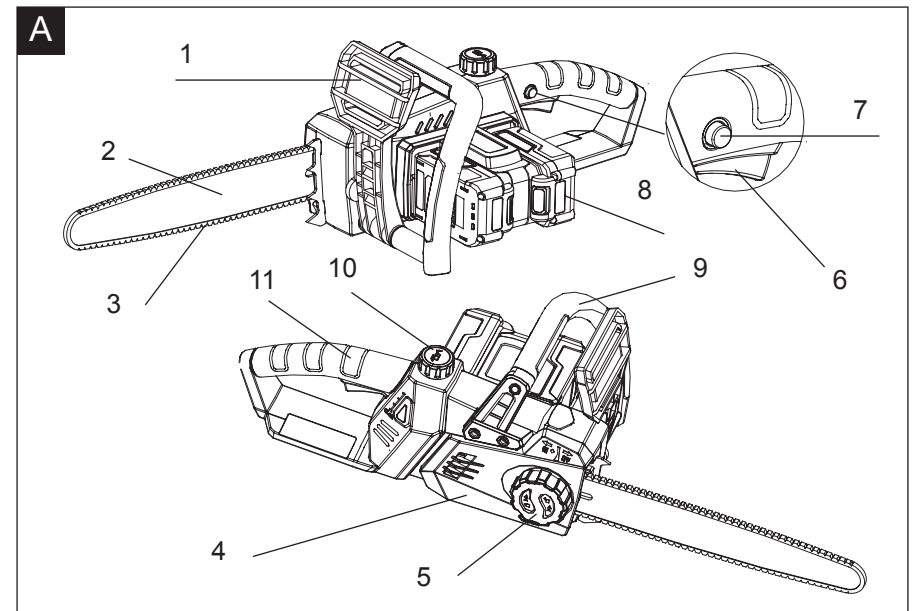


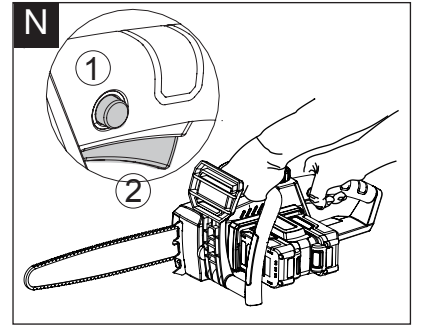
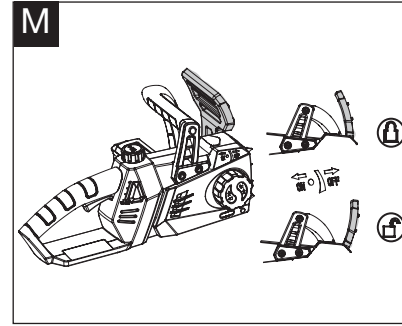
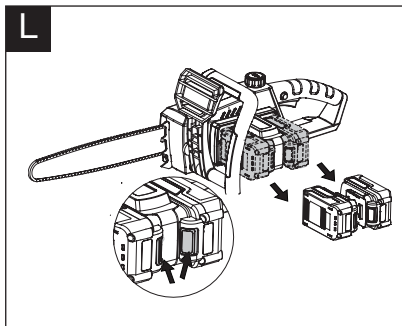
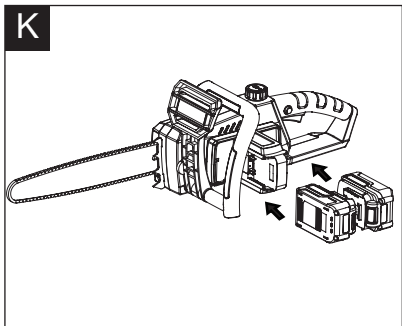
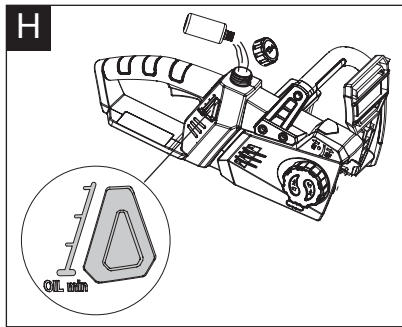
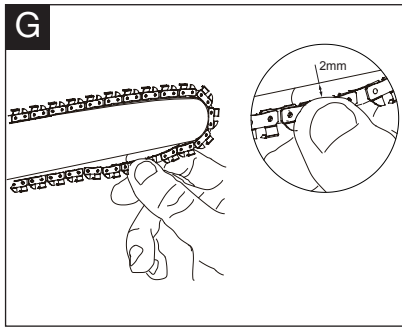
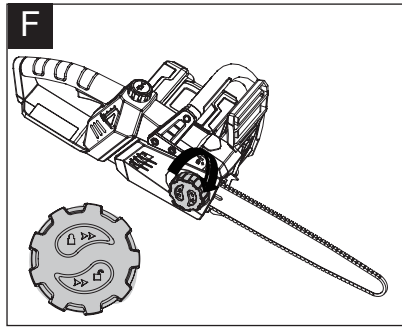
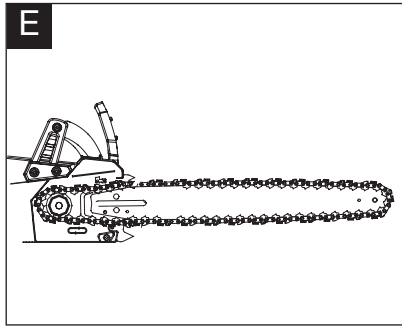
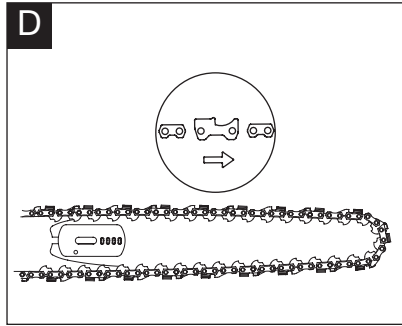
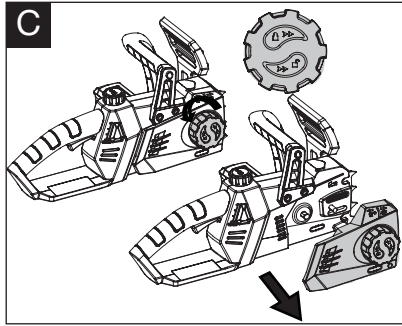
**READ & UNDERSTAND
INSTRUCTION MANUAL**

Save all warnings and instructions for future reference.



Read this manual carefully prior to assembling and operating the product. It is dangerous to operate this product without being familiar with these instructions. Keep this manual in a safe place and have it ready for future reference.





YARD FORCE

LS C35W Original Instruction

CONTENT

| | |
|-------------------------|----|
| Intended use | 07 |
| General safety warnings | 07 |
| Product safety warnings | 13 |
| Symbols | 18 |
| Technical data | 21 |
| Description of product | 22 |
| Installation | 23 |
| Operation | 24 |
| Maintenance and storage | 29 |
| Troubleshooting | 32 |
| CE declaration | 33 |

INTENDED USE

This cordless chainsaw (hereinafter product or “power tool”) is designed for cutting wood only. The product is not designed for any other types of application (e. g. cutting of brickwork, plastic or food).

The product is to be used by adults.

Please note that our equipment has not been designed for use in commercial, trade or industrial applications. Our warranty will be voided if the machine is used in commercial, trade or industrial businesses or for equivalent purposes.

GENERAL SAFETY WARNINGS



WARNING!

Read all safety warnings and all instructions. Failure to follow the warnings and instructions may result in electric shock, fire and/or serious injury. Save all warnings and instructions for future reference. The term “power tool” in the warnings refers to your mains-operated (corded) power tool or battery-operated (cordless) power tool.

Work area safety

1. Keep work area clean and well lit. Cluttered or dark areas invite accidents.
2. Do not operate power tools in explosive atmospheres, such as in the presence of flammable liquids, gases or dust. Power tools create sparks which may ignite the dust or fumes.
3. Keep children and bystanders away while operating a power tool. Distractions can cause you to lose control.

Electrical safety

1. Power tool plugs must match the outlet. Never modify

GENERAL SAFETY WARNINGS

the plug in any way. Do not use any adapter plugs with earthed (grounded) power tools. Unmodified plugs and matching outlets will reduce risk of electric shock.

2. Avoid body contact with earthed or grounded surfaces, such as pipes, radiators, refrigerators. There is an increased risk of electric shock if your body is earthed or grounded.

3. Do not expose power tools to rain or wet conditions. Water entering a power tool will increase the risk of electric shock.

4. Do not abuse the cord. Never use the cord for carrying, pulling or unplugging the power tool. Keep cord away from heat, oil, sharp edges or moving parts. Damaged or entangled cords increase the risk of electric shock.

5. When operating a power tool outdoors, use an extension cord suitable for outdoor use. Use of a cord suitable for outdoor use reduces the risk of electric shock.

6. If operating a power tool in a damp location is unavoidable, use a residual current device (RCD) protected supply. Use of an RCD reduces the risk of electric shock.

NOTE: The term “residual current device (RCD)” may be replaced by the term “ground fault circuit interrupter (GFCI)” or “earth leakage circuit breaker (ELCB)”

Personal safety

1. Stay alert, watch what you are doing and use common sense when operating a power tool. Do not use a power tool while you are tired or under the influence of drugs,

GENERAL SAFETY WARNINGS

alcohol or medication. A moment of inattention while operating power tools may result in serious personal injury.

2. Use personal protective equipment. Always wear eye protection. Protective equipment such as dust mask, non-skid safety shoes, hard hat, or hearing protection used for appropriate conditions will reduce personal injuries.

3. Prevent unintentional starting. Ensure the switch is in the off-position before connecting to power source and/or battery pack, picking up or carrying the tool. Carrying power tools with your finger on the switch or energising power tools that have the switch on invites accidents.

4. Remove any adjusting key or wrench before turning the power tool on. A wrench or a key left attached to a rotating part of the power tool may result in personal injury.

5. Do not overreach. Keep proper footing and balance at all times. This enables better control of the power tool in unexpected situations

6. Dress properly. Do not wear loose clothing or jewellery. Keep your hair, clothing and gloves away from moving parts. Loose clothes, jewellery or long hair can be caught in moving parts.

7. If devices are provided for the connection of dust extraction and collection facilities, ensure these are connected and properly used. Use of dust collection can reduce dust-related hazards.

GENERAL SAFETY WARNINGS

Power tool use and care

1. Do not force the power tool. Use the correct power tool for your application. The correct power tool will do the job better and safer at the rate for which it was designed.
2. Do not use the power tool if the switch does not turn it on and off. Any power tool that cannot be controlled with the switch is dangerous and must be repaired.
3. Disconnect the plug from the power source and/or the battery pack from the power tool before making any adjustments, changing accessories, or storing power tools. Such preventive safety measures reduce the risk of starting the power tool accidentally.
4. Store idle power tools out of the reach of children and do not allow persons unfamiliar with the power tool or these instructions to operate the power tool. Power tools are dangerous in the hands of untrained users.
5. Maintain power tools. Check for misalignment or binding of moving parts, breakage of parts and any other condition that may affect the power tool's operation. If damaged, have the power tool repaired before use. Many accidents are caused by poorly maintained power tools.
6. Keep cutting tools sharp and clean. Properly maintained cutting tools with sharp cutting edges are less likely to bind and are easier to control.
7. Use the power tool, accessories and tool bits etc. in accordance with these instructions, taking into account the working conditions and the work to be performed. Use of the power tool for operations different from those intended could result in a hazardous situation.

GENERAL SAFETY WARNINGS

Battery tools use and care

1. Recharge only with the charger specified by the manufacturer. A charger that is suitable for one type of battery pack may create a risk of fire when used with another battery pack.
2. Use power tools only with specifically designated battery packs. Use of any other battery packs may create a risk of injury and fire.
3. When a battery pack is not in use, keep it away from other metallic objects, like paperclips, coins, keys, nails, screws or other small metallic objects, that can make a connection from one terminal to another. Shorting the battery terminals together may cause burns or a fire.
4. Under abusive conditions, liquid may be ejected from the battery; avoid contact. If contact accidentally occurs, flush with water.

Maintenance and storage

1. Keep all nuts, bolts and screws tight to be sure the product is in a safe working condition.
2. Be careful when adjusting the product to prevent trapping fingers between moving blades or other fixed parts of the product.
3. Always allow the product to cool down before storing.
4. When servicing the blades be aware that even though the power source is switched off, the blades can still move.
5. Replace worn or damaged parts for safety. Use only genuine replacement parts and accessories.
6. DO NOT attempt to open the charger and battery pack. There are no customer serviceable parts inside.

GENERAL SAFETY WARNINGS

Return to any authorised service centre.

7. Store the appliance with battery pack fully charged at room temperature (around 20°C).
8. Every deep discharge cycle decreases the capacity of battery pack. To prolong battery life, it is recommended that you charge the battery every six months within extended periods of time when the product is not in use.

Service

Have your power tool serviced by a qualified repair person using only identical replacement parts. This will ensure that the safety of the power tool is maintained.

SAVE THESE INSTRUCTIONS!

PRODUCT SAFETY WARNINGS

CHAIN SAW SAFETY WARNINGS

1. Keep all parts of the body away from the saw chain when the chain saw is operating. Before you start the chain saw, make sure the chain saw is not contacting anything. A moment of inattention while operating chain saws may cause entanglement of your clothing or body with the saw chain.
2. Always hold the chain saw with your right hand on the rear handle and your left hand on the front handle. Holding the chain saw with a reversed hand configuration increases the risk of personal injury and should never be done.
3. Wear safety glasses and hearing protection. Further protective equipment for head, hands, legs and feet is recommended. Adequate protective clothing will reduce personal injury by flying debris or accidental contact with the chain saw.
4. Do not operate a chain saw in a tree. Operation of a chain saw while up in a tree may result in personal injury.
5. Always keep proper footing and operate the chain saw only when standing on a fixed, secure and level surface. Slippery or unstable surfaces such as ladders may cause a loss of balance or control of the chain saw.
6. When cutting a branch that is under tension be alert for spring back. When the tension in the wood fibres is released the spring loaded branch may strike the operator and/or throw the chain saw out of control.
7. Use extreme caution when cutting bushes and saplings. The slender material may catch the chain saw and be whipped toward you or pull you off balance.
8. Carry the chain saw by the front handle with the chain saw switched off and away from your body. When transporting

PRODUCT SAFETY WARNINGS

or storing the chain saw always fit the guide bar cover.

Proper handling of the chain saw will reduce the likelihood of accidental contact with the moving chain saw.

9. Follow instructions for lubricating, chain tensioning and changing accessories.

10. Improperly tensioned or lubricated chain may either break or increase the chance for kickback.

11. Keep handles dry, clean, and free from oil and grease. Greasy, oily handles are slippery causing loss of control.

12. Cut wood only. Do not use chain saw for purposes not intended. For example: do not use chain saw for cutting plastic, masonry or non-wood building materials. Use of the chain saw for operations different than intended could result in a hazardous situation.

Charger

1. Recharge only with the charger specified by the manufacturer. Do not use the original charger on other li-ion batteries or on any other type of battery as this can increase the risk of fire or explosion.

2. Check the battery charger, cable and plug before each use. Do not use the battery charger if damaged. Do not open the battery charger yourself; charger must be repaired by qualified personnel using original spare parts.

3. The charger is designed to use a standard household 220-240 V~ 50Hz power source, ensure that the plug matches the outlet.

4. Never modify the plug in any way, this will reduce the risk of electric shock.

5. Do not abuse the cord of charger. Never use the cord for carrying, pulling or unplugging the charger. Keep cord away from heat, oil, sharp edges or moving parts. Damaged or

PRODUCT SAFETY WARNINGS

entangled cords increase the risk of electric shock.

6. Make sure the charger cord is situated so that it will not be stepped on, tripped over or get damaged.

7. Keep the battery charger clean. Contamination can increase the risk of electric shock.

8. Protect the battery charger from rain and moisture. If water accesses the battery charger there is an increased risk of electric shock.

9. Battery will heat up whilst charging. To reduce the risk of fire, do not operate battery charger on flammable surfaces such as paper or textiles.

10. The temperature range over which the battery pack can be charged is typically between 5°C-45°C. Attempts to charge out of the prescribed temperature range may automatically be blocked by the protection circuitry of the battery pack. Longest life and best performance can be obtained if the battery pack is charged at room temperature.

11. Disconnect charger from the power supply when not in use. This will reduce the risk of electric shock or damage to the charger.

Battery pack

1. Fully charge battery pack before first use.

2. Recharge battery pack immediately when the power output starts to slow. **DO NOT CONTINUE TO USE PRODUCT WHEN BATTERY LEVEL IS LOW.**

3. To prevent serious damage to the battery, charge in temperatures above 5°C or below 45°C. Longest life and best performance can be achieved when battery is charged at room temperature.

4. If the battery temperature is above 45°C wait until temperature drops before putting it into the charging

PRODUCT SAFETY WARNINGS

station.

5. To reduce the risk of explosion, ensure the battery pack is not left in the sun for extended periods of time and that it is kept away from fire.

6. Do not carry individual battery packs in your pockets or bag as they could short-circuit against other metal items.

7. Should a li-ion battery catch fire, ensure to use the correct fire extinguisher to combat the fire. **DO NOT THROW WATER ON A BURNING LI-ION BATTERY.**

8. If the battery pack becomes too hot during charging, disconnect and switch off immediately. Contact the service centre directly.

9. Do not attempt to open the battery yourself.

10. When the battery pack is not in use keep it away from other metal objects such as paperclips, coins, keys, nails, screws or other small metal objects that can make a connection from one terminal to another.

CAUSES AND OPERATOR PREVENTION OF KICKBACK:

1. Kickback may occur when the nose or tip of the guide bar touches an object, or when the wood closes in and pinches the chain saw in the cut.

2. If the tip of the guide bar makes contact with an object, it may cause a sudden reverse reaction, kicking the guide bar up and back towards the operator.

3. Pinching the chain saw along the top of the guide bar may push the guide bar rapidly back towards the operator.

4. Either of these reactions may cause you to lose control of the saw which could result in serious personal injury.

5. Do not rely exclusively upon the safety devices built into your saw. As a chain saw user, you should take several steps

PRODUCT SAFETY WARNINGS

to keep your cutting jobs free from accident or injury.

6. Kickback is the result of tool misuse and/or incorrect operating procedures or conditions and can be avoided by taking proper precautions as given below:

- Do not overreach and do not cut above shoulder height. This helps prevent unintended tip contact and enables better control of the chain saw in unexpected situations.
- Only use replacement bars and chains specified by the manufacturer. Incorrect replacement bars and chains may cause chain breakage and/or kickback.
- Follow the manufacturers sharpening and maintenance instructions for the chain saw. Decreasing the depth gauge height can lead to increased kickback.

Residual risks

Even if you use this power tool in accordance with the instructions, certain residual risks cannot be eliminated. The following hazards may arise in connection with the tools construction and design:

- Damage to lungs if an effective dust mask is not worn.
- Damage to hearing if effective hearing protection is not worn.
- Health defects resulting from vibration emission if the appliance is being used over longer periods of time or not adequately managed and properly maintained.
- Cut injuries if no safety clothing is used

WARNING! This machine produces an electromagnetic field during operation. This field may under some circumstances interfere with active or passive medical implants. To reduce the risk of serious or fatal injury, we recommend persons with medical implants to consult their physician and the medical implant manufacturer before operating this machine.

SYMBOLS

Safety symbols

The purpose of safety symbols is to attract your attention to any possible dangers. The safety symbols and their explanations deserve your careful attention and full understanding. The symbol warnings do not, by themselves, eliminate any danger. The instructions and warnings they give are no substitute for proper accident prevention measures.



WARNING: Be sure to read and understand all safety instructions within this operator's manual, including all safety alert symbols such as "**DANGER**", "**WARNING**", and "**CAUTION**" before using this tool. Failure to follow all instructions listed below may result in electric shock, fire and/or serious personal injury.

SAFETY ALERT SYMBOLS: Indicate **DANGER**, **WARNING**, or **CAUTION**. May be used in conjunction with other symbols or pictographs.

Symbol meanings

This page depicts and describes safety symbols that may appear on this product. Read, fully understand and follow all instructions on the machine before attempting to assemble and operate.

SYMBOLS



Please read the instruction handbook before operating this machine.



This symbol is used throughout the user guide whenever there is a risk of personal injury. Ensure that these warnings are read and understood at all times.



Always wear ear protection when operating this product.



Always wear safety goggles or safety glasses with side shields and a full face shield when operating this product.



Do not expose or operate the tool in rain.



Guaranteed sound power level value is 96 dB.



WEEE symbol. Waste electrical products should not be disposed of with household waste. Please recycle where facilities exist. Check with your local authority or local store for recycling guidelines.



The product complies with the applicable European directives and an evaluation method of conformity for these directives was done.

SYMBOLS



Always use two hands when operating the product.



Do not operate the saw using only one hand.







Tip contact can cause the guide bar to move suddenly upwards and backwards which can cause serious injury.



Contact of the guide bar tip with any object should be avoided.

TECHNICAL DATA

| | | |
|---|---|---|
| Model | | LS C35W |
| Nominal voltage of product with battery |  | 40V  |
| Chain speed |  | 8.5 m/s |
| Cutting length |  | 35 cm |
| Chain type | | 90PX052X |
| Guide bar type | | 144MLEA041(577293) |
| Weight | | 3.9 kg |
| Measured sound pressure level(L_{pA}) | | 81.9 dB(A), K=3 dB(A) |
| Measured sound power level(L_{wA}) | | 92.8 dB(A), K=2.6 dB(A) |
| Guaranteed sound power level | | 96 dB(A) |
| Vibration a_h | | 4.92 m/s ² , K=1.5 m/s ² |

The sound values have been determined according to noise test code given in EN 60745-2-13, using the basic standards EN ISO 11094 and EN ISO 3744.

The noise figures quoted are emission levels and are not necessarily safe working levels. Factors that influence the actual level of exposure of work-force include the characteristics of the work room, the other sources of noise, etc. i.e. the number of machines and other adjacent processes, and the length of time for which an operator is exposed to the noise. Also the permissible exposure level can vary from country. This information, however, will enable the user of the machine to make a better evaluation of the hazard and risk. The sound intensity level for the operator may exceed 80 dB(A) and ear protection measures are necessary. The declared vibration value has been measured in accordance with a standard test method (according to EN 60745-1) and may be used for comparing one product with another. The declared vibration value may also be used in a preliminary assessment of exposure.

This tool may cause hand-arm vibration syndrome if its use is not adequately managed.

WARNING: Depending on the actual use of the product the vibration values can differ from the declared total! Adopt proper measures to protect yourself against vibration exposures! Take the whole work process including times the product is running under no load or switched off into consideration!

DESCRIPTION OF PRODUCT

Parts description (Fig. A)

1. Front guard / chain brake
2. Guide bar
3. Saw chain
4. Drive cover
5. Lock knob / Chain tension knob
6. Main switch
7. Safety button
8. Battery pack (Sold separately)
9. Front handle
10. Oil tank cap
11. Rear handle

Check the delivery parts (Fig. B)

Remove the machine from its packaging carefully and make sure that all of the following parts are present:

- a. Chain saw
- b. Guide bar
- c. Saw chain
- d. Manual
- e. Guide bar cover
- f. lubrication oil



WARNING: If any parts are damaged or missing, do not operate this tool until these parts have been replaced. Failure to heed this warning could result in serious personal injury.



NOTE: Always recycle the packaging in accordance with local recycling guidelines.

INSTALLATION

Install the guide bar and saw chain

1. Position the chain saw power head on its side with the side cover facing upwards.
2. Turn the side cover knob anti-clockwise to remove the side cover and then loosen the chain tensioning knob as much as possible. (Fig. C)
3. Lay the new saw chain in a loop on a flat surface and straighten any kinks.
4. Place the chain drive links into the guide bar groove and make the chain a loop at the back of the guide bar. (Fig. D)
5. Hold the chain in position on the guide bar and place the loop around the sprocket of the power head. (Fig. E)
6. Slide the guide bar slot over the alignment flanges until the tension adjusting pin is inserted in the lower hole in the tail of the bar.

NOTE: Small directional arrows are engraved in the saw chain. Another directional arrow is molded into the housing. When looping the saw chain onto the sprocket, make sure that the direction of the arrows on the saw chain will correspond to the direction of the arrow on the housing. If they face in opposite directions, turn over the saw chain and guide bar assembly.

7. Replace the side cover and slightly tighten the side cover knob. (Fig. F)
8. Lift the tip of the guide bar up to check for sag. Release the tip of the guide bar and turn the chain tensioning knob clockwise. Repeat this process until the sag is eliminated.
9. Tighten the side cover knob securely to ensure that the saw chain is properly tensioned before using.

NOTE: If chain is too tight, it will not rotate. Loosen the side cover knob slightly and turn the tensioning knob once from right to left. Lift the tip of the guide bar up and retighten the side cover knob securely. Assure that the chain will rotate without binding.

Adjusting the chain tension

- Stop the motor and remove the battery pack before adjusting the chain tension. Make sure the side cover knob is loosened. Turn the chain tensioning knob clockwise to tension the chain.
- A cold chain is correctly tensioned when there is no slack on the underside of the guide bar and the chain is snug, but it can be turned by hand without binding. The chain must be re-tensioned whenever the flats on the drive links do not sit in the bar groove.
- During normal saw operation, the temperature of the chain will increase. The drive links of a correctly tensioned warm chain will hang approximately 2 mm out of the bar groove (Fig. G).

NOTE: New chains tend to stretch; check chain tension frequently and tension as required.

NOTE: A chain tensioned while it is warm may be too tight upon cooling. Check the cold tension before next use.

OPERATION

Filling bar and chain lubricant (Fig. H)

WARNING: Do not smoke or bring any fire or flame near the oil or the chain saw. Oil may spill and cause a fire.

NOTE: The chain saw is not filled with oil at the time of purchase. It is essential to fill the tank with oil before use.

The chain is automatically lubricated with chain oil during operation.

1. Position the chain saw on its side with its oil tank cap facing towards.
2. Clean the cap as well as the area around and then turn it anti-clockwise to remove.
3. Carefully pour the specifically designed oil into the tank until reaching the bottom of the filter neck.
4. Wipe off any excessive oil and replace the cap.

NOTE: With upright position, oil should fill the inspection window. When the oil is no longer visible in the inspection window, stop use immediately and refill.

Inserting and removing the battery pack

NOTE: Hold the tool and the battery pack firmly when installing or removing the battery pack. Failure to hold the tool and the battery pack firmly may cause them to slip off your hands and result in damage to the tool and battery pack, potentially causing a personal injury.

Insert the battery pack. (Fig. I)

To install the battery pack, align the tongue on the battery pack with the groove in the housing and slip it into place. Always insert it all the way until it locks in place with a little click. If not, it may accidentally fall out of the tool, causing injury to you or someone around you.

Remove the battery pack.

To remove battery pack, press the release button, and pull out. (FIG. J)

NOTE: Do not use force when installing the battery pack. If the battery pack does not slide in easily, it is not being inserted correctly.

WARNING : Verify that the switch is in the OFF position before inserting or removing the battery pack.

WARNING : Verify that the battery pack is removed and the switch is in the OFF position before inspecting, adjusting or performing maintenance on any part of the chain saw.

Starting/stopping the chain saw

NOTE: Before starting the chain saw, check for the oil level, saw teeth sharpness and properly-working kickback brake handle. Besides, balanced footing and proper distance away from the ground are needed.

OPERATION

To Start

1. Pull the chain kickback brake handle towards the front handle to the operating position. (Fig. K)
2. Grasp the front and rear handles firmly, using both hands.
3. Press down the lock-off button first, then squeeze the trigger switch to start. (Fig. L) Release the lockoff button and continue to squeeze the trigger for continued operation.

WARNING: Do not attempt to start the saw when the saw chain is in a cut.

To Stop

1. Release the trigger switch.
2. Push the chain kickback brake handle forward to the brake position to engage the chain brake (Fig. K).

WARNING: Always remove the battery pack from the chain saw during work breaks and after finishing work.

Proper Grip On Handles

- Wear non-slip gloves for maximum grip and protection.
- With the saw on a firm, flat surface, hold the saw firmly with both hands.
- Always grasp the front handle with the left hand and the rear handle with the right.
- The fingers should encircle the handle, with the thumb wrapped under the front handle.

WARNING: Never use a left-handed (cross-handed) grip, or any stance which would place your body or arm across the chain line.

Proper Cutting Stance

- Both feet should be on solid ground, with weight evenly spread between them.
- The left arm should be straight, with the elbow locked. This helps to withstand the forces generated by kickback.
- Your body should always be to the left of the chain line.

Instructions concerning the proper techniques for basic felling, limbing, and cross-cutting

WARNING: Always be sure of your footing and hold the chain saw firmly with both hands while the motor is running.

WARNING: When the saw chain is stopped due to pinching during cutting, release the trigger switch; remove the saw chain and guide bar from the wood, then restart the chain saw.

WARNING: Do not pull the saw chain with hand when it is bound by the sawdust. Serious injury could result if the chain saw starts accidentally. Press the saw chain against the wood, move the chain saw back and forth to discharge the debris. Always remove the battery pack before cleaning. Wear heavy protective gloves when handling the saw chain.

WARNING: Never start the chain saw when it is in contact with the wood. Always allow the chain saw reach full speed before applying the saw to the wood.

OPERATION

Felling a tree

- When bucking and felling operations are being performed by two or more persons at the same time, the felling operation should be separated from the bucking operation by a distance of at least twice the height of the tree being felled. Trees should not be felled in a manner that would endanger any person, strike any utility line or cause any property damage. If the tree does make contact with any utility line, the utility company should be notified immediately.

- The chain saw operator should stand on the uphill side of the terrain, as the tree is likely to roll or slide downhill after it is felled.

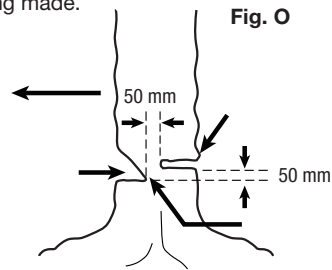
- An escape path should be planned and cleared as necessary before cuts are started. The escape path should extend back and diagonally to the rear of the expected line of fall.

- Before felling is started, consider the natural lean of the tree, the location of larger branches and the wind direction to judge which way the tree will fall.

- Remove dirt, stones, loose bark, nails, staples and wire from the tree.

Notching undercut

Make the notch 1/3 the diameter of the tree, perpendicular to the direction of falls as Fig. O shown. Make the lower horizontal notching cut first. This will help to avoid pinching either the saw chain or the guide bar when the second notch is being made.



Felling back cut

- Make the felling back cut at least 50 mm higher than the horizontal notching cut as Fig. O shown. Keep the felling back cut parallel to the horizontal notching cut. Make the felling back cut so enough wood is left to act as a hinge. The hinge wood keeps the tree from twisting and falling in the wrong direction. Do not cut through the hinge.

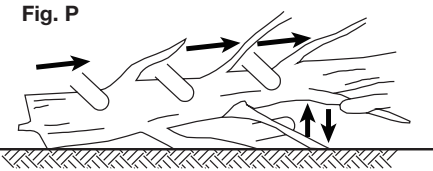
- As the felling gets close to the hinge, the tree should begin to fall. If there is any chance that the tree may not fall in desired direction or it may rock back and bind the saw chain, stop cutting before the felling back cut is complete and use wedges of wood, plastic or aluminium to open the cut and drop the tree along the desired line of fall.

- When the tree begins to fall remove the chain saw from the cut, stop the motor, put the chain saw down, then use the retreat path planned. Be alert for overhead limbs falling and watch your footing.

OPERATION

Limbing a tree

Limbing is removing the branches from a fallen tree. When limbing leave larger lower branches to support the log off the ground. Remove the small limbs in one cut as Fig. P shown. Branches under tension should be cut from the bottom up to avoid binding the chain saw.



Bucking a log

- Bucking is cutting a log into lengths. It is important to make sure your footing is firm and your weight is evenly distributed on both feet. When possible, the log should be raised and supported by the use of limbs, logs or chocks. Follow the simple directions for easy cutting.

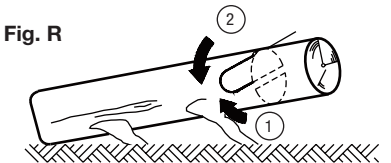
- When the log is supported along its entire length as Fig. Q shown, it is cut from the top (overbuck).

Abb. Q



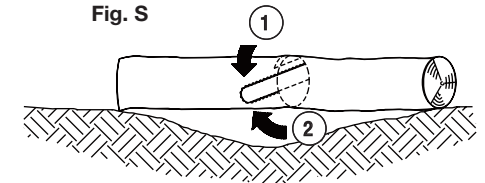
- When the log is supported on one end, as Fig. R shown, cut 1/3 the diameter from the underside (underbuck). Then make the finished cut by overbucking to meet the first cut.

Fig. R



- When the log is supported on both ends, as Fig. S shown, cut 1/3 the diameter from the top (overbuck). Then make the finished cut by underbucking the lower 2/3 to meet the first cut.

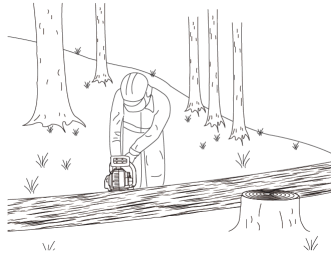
Fig. S



OPERATION

- When bucking on a slope always stand on the uphill side of the log, as Fig. T shown.

Fig. T



- When “cutting through”, to maintain complete control release the cutting pressure near the end of the cut without relaxing your grip on the chain saw handles. Don’t let the chain contact the ground. After completing the cut, wait for the saw chain to stop before you move the chain saw. Always stop the motor before moving from tree to tree.

MAINTENANCE AND STORAGE

WARNING: When servicing, use only identical replacement parts. Use of any other parts may create a hazard or cause product damage.

WARNING: Always wear protective gloves when performing any maintenance to the chain saw.

WARNING: To avoid serious personal injury, remove the battery pack from the chain saw before inspecting, cleaning, or performing maintenance. A battery operated tool with the battery pack inserted is always on and can start accidentally.

WARNING: When cleaning the chain saw, DO NOT immerse in water or other liquids.

WARNING: Do not at any time let brake fluids, petrol, petroleum-based products, penetrating oils, etc., come in contact with plastic parts. Chemicals can damage, weaken, or destroy plastic, which may result in serious personal injury.

CLEANING

- After each use, clean debris from the chain and guide bar with a soft brush. Wipe the chain saw surface with a clean cloth moistened with a mild soap solution.

- Remove the side cover, and then use a soft brush to remove debris from the guide bar, saw chain, sprocket and side cover.

- Always clean out wood chips, saw dust, and dirt from the guide bar groove when replacing the saw chain.

REPLACING THE BAR AND CHAIN

WARNING: Never touch or adjust the chain while the motor is running. The saw chain is very sharp.

NOTE: When replacing the guide bar and chain, always use the specified bar and chain combination listed in the manual.

Disassemble the Worn Bar and Chain

1. Remove the battery, allow the saw to cool and tighten the oil tank cap.
2. Position the chain saw on its side with the side cover facing upwards.
3. Wear gloves. Remove the side cover by turning the side cover knob anti-clockwise. Clean the side cover with a dry cloth.

NOTE: This is a good time to inspect the drive sprocket for excessive wear or damage.

Assemble The New Bar And Chain

Follow the instructions in the ASSEMBLING/REPLACING THE BAR AND CHAIN section in this manual.

Adjust The Chain Tension

Follow the instructions in the ADJUSTING THE CHAIN TENSION section in this manual.

MAINTENANCE AND STORAGE

CHAIN MAINTENANCE

WARNING: Always wear gloves when handling the saw chain; these components are sharp and may contain burrs.

Use only low-kickback chains on this saw. This fast cutting chain will provide kickback reduction when properly maintained.

A properly sharpened saw chain cuts through wood effortlessly, even with very little pressure.

Never use a dull or damaged saw chain. A dull saw chain cutter leads to increased physical strain, increased vibration load, unsatisfactory cutting results and increased wear.

For smooth and fast cutting, the chain needs to be maintained properly. The chain requires sharpening when the wood chips are small and powdery, the chain must be forced through the wood during cutting, or the chain cuts to one side. During maintenance of your chain, consider the following:

- Improper filing angle of the side plate can increase the risk of a severe kickback.
- Raker (depth gauge) clearance. Too low increases the potential for kickback. Not low enough decreases cutting ability.
- If cutter teeth have hit hard objects, such as nails and stones, or have been abraded by mud or sand on the wood, have the chain sharpened by a qualified service technician.

NOTE: Inspect the drive sprocket for wear or damage when replacing the chain. If signs of wear or damage are present in the areas indicated, have the drive sprocket replaced by qualified service technician.

GUIDE BAR MAINTENANCE

When the guide bar shows signs of wear, reverse it on the saw to distribute the wear for maximum bar life. The bar should be cleaned every day of use and checked for wear and damage. Feathering or burring of the bar rails is a normal process of bar wear. Such faults should be smoothed with a file as soon as they occur. A bar with any of the following faults should be replaced.

- Wear inside the bar rails which permits the chain to lay over sideways.
- Bent guide bar.
- Cracked or broken rails.
- Spread rails.

In addition, the guide bar has a sprocket at its tip. The sprocket must be lubricated weekly with a grease syringe to extend the guide bar life. Use a grease syringe to lubricate weekly with chain oil by means of the lubricating hole. Turn the guide bar and check that the lubrication holes and chain groove are free from impurities.

MAINTENANCE AND STORAGE

TRANSPORTING AND STORING

- Do not store or transport the chain saw when it is running. Always remove the battery pack before storing or transporting.
- Always place the guide bar sheath on the guide bar and chain before storing or transporting the chain saw. Use caution to avoid the sharp teeth of the chain.
- Clean the chain saw thoroughly before storing. Store the chain saw indoors, in a dry place that is locked and/ or inaccessible to children.
- Keep away from corrosive agents such as garden chemicals and de-icing salts.

TROUBLESHOOTING



WARNING: Before performing any repair work, always ensure that the battery pack has been removed.



WARNING: Always wear heavy duty gloves when adjusting or cleaning, especially when handling sharp objects.

| Fault/malfunction | Cause | Remedy |
|-----------------------------------|---|--|
| Product does not start | Battery pack not properly attached | Attach properly |
| | Battery pack discharged | Remove and charge the battery pack |
| | Battery pack damaged | Contact our service centre |
| | Other electrical defect to the product | Contact our service centre |
| Product does not reach full power | Battery pack capacity too low | Remove and charge the battery pack |
| | Air vents are blocked | Clean the air vents |
| Unsatisfactory result | Accessory is worn | Replace with a new one |
| | Accessory not suitable for intended operation | Use suitable accessory |
| Product suddenly stops | Product overloaded | Remove the product from the workpiece and switch it on again |
| | Battery pack discharged | Remove and charge the battery pack |
| | Battery pack too hot | Remove the battery pack and let it cool down |
| Excessive vibration or noise | Accessory is dull / damaged | Replace with a new one |
| | Bolts/nuts are loose | Tighten bolts/nuts |

CE DECLARATION

To the provisions of Council Directives

We
MEROTEC GmbH,
Otto-Brenner-Straße 8, 47877 Willich/ Deutschland

Declare that the product:

Machine Description: 40V Cordless Chain saw
LS C35W/ GY1792
Function: Cutting Logs


Complies with the essential health and safety requirements of the following directives:

Machinery Directive 2006/42/EC
Electromagnetic Compatibility Directive 2014/30/EC
EC Directive 2011/65/EU and its amendment Directive (EU) 2015/863 (RoHS *)
Noise Emission in the Environment by Equipment for Use Outdoors Directive 2000/14/EC amended by 2005/88/EC
We additionally confirm the following in accordance with the 2000/14/EC Annex VI
Measured Sound Power Level: 92.8 dB(A) K=2.6 dB(A)
Measured Sound Pressure Level: 81.9 dB(A) K=3 dB(A)
Declared Guaranteed Sound Power Level: 96 dB (A)

Standards and technical specification referred to :

EN 60745-1: 2009/ A11: 2010
EN 60745-2-13: 2009/ A1: 2010
EN 62233: 2008
EN 55014-1: 2006+ A1 +A2
EN 55014-1: 2017
EN 55014-2: 2015
EN 50581: 2012

Authorized Signatory
Date: 24.03.2020

Signature: 
Place: Willich
Name: Roland Menken
General Manager

MEROTEC GmbH,
Otto-Brenner-Straße 8, 47877 Willich/ Deutschland



*) The object of the declaration described above satisfies the provisions of directive 2011/65/EU of the European Parliament and the Council of 8 June 2011 on limiting the use of certain harmful substances in electrical and electronic appliances.