



YARD FORCE
LAWN & GARDEN EQUIPMENT

LH C41AW
M0E-16ET-410

20V CORDLESS POLE HEDGE TRIMMER

Original Instructions



**READ & UNDERSTAND
INSTRUCTION MANUAL**

Save all warnings and instructions for future reference.



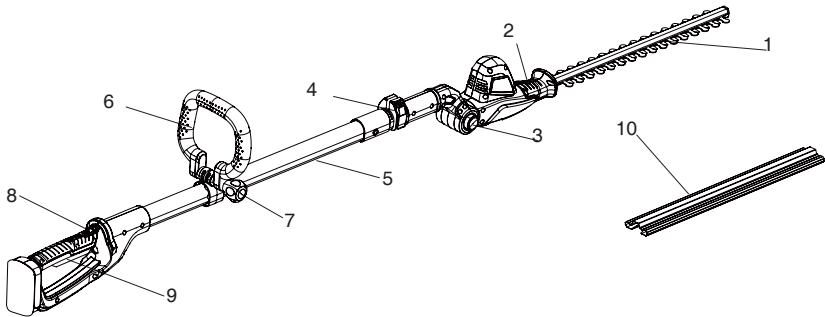
Read this manual carefully prior to assembling and operating the pole hedge trimmer. It is dangerous to operate this product without being familiar with these instructions. Keep this manual in a safe place and have it ready for future reference.

TABLE OF CONTENTS

Description of Product Parts	2
Technical Specifications	4
Intended Use	5
Safety Information	6
Assembly	15
Operation	17
Maintenance and Storing	20
Troubleshooting	21
EC Declaration of Conformity	22

DESCRIPTION OF PRODUCT PARTS

Fig. 1



Parts List

As shown in Fig. 1

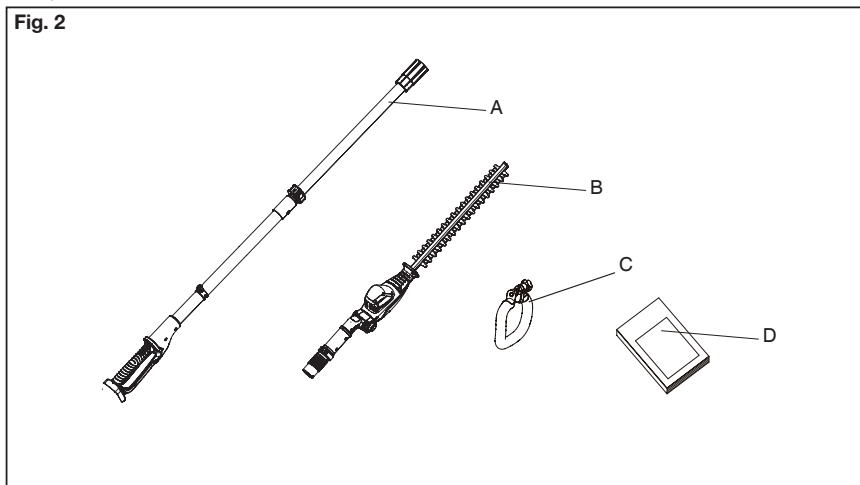
- | | |
|--|--------------------------------|
| 1. Blade | 6. Front handle |
| 2. Working head | 7. Front handle adjusting knob |
| 3. Pivot knob | 8. Safety lock-off button |
| 4. Quick release for telescopic handle | 9. Main switch |
| 5. Pole tube | 10. Blade sheath |

DESCRIPTION OF PRODUCT PARTS

Check the delivery parts

As shown in Fig. 2

Carefully remove the machine from its packaging and check as the following parts are complete:



A.	Conection handle	1pc
B.	Hedge trimmer attachment	1pc
C.	Front handle	1pc
D.	Manual	1pc



WARNING: If any parts are damaged or missing, do not operate this tool until the missing parts are replaced. Failure to heed this warning could result in serious personal injury.



NOTE! Always recycle the packaging in accordance with local recycling schemes.

TECHNICAL SPECIFICATIONS

Model Number	LH C41AW
Voltage	20 V
Battery type	Lithium-Ion
No load speed	1400 min ⁻¹
Cutting length/Capacity	410 mm / 14 mm
Tooth gap	16 mm
Measured sound pressure level(L _{PA})	74.5dB(A) K=3.0 dB(A)
Measured sound power level(L _{WA})	87.9dB(A) K=3.0 dB(A)
Guaranteed sound power level(L _{WA})	90 dB(A)
Weight	3.4 kg
Vibrations	2.0 m/s ² K=1.5 m/s ²



The sound values have been determined according to noise test code given in EN 60745-2-15, using the basic standards EN ISO 11094 and EN ISO 3744.

The noise figures quoted are emission levels and are not necessarily safe working levels. Factors that influence the actual level of exposure of work-force include the characteristics of the work room, the other sources of noise, etc. i.e. the number of machines and other adjacent processes, and the length of time for which an operator is exposed to the noise. Also the permissible exposure level can vary from country. This information, however, will enable the user of the machine to make a better evaluation of the hazard and risk.

Wear hearing protection! The sound intensity level for the operator may exceed 80 dB (A) and ear protection measures are necessary!

The declared vibration value has been measured in accordance with a standard test method (according to EN 12096) and may be used for comparing one product with another. The declared vibration value may also be used in a preliminary assessment of exposure.

This tool may cause hand-arm vibration syndrome if its use is not adequately managed.



WARNING!

Depending on the actual use of the product the vibration values can differ from the declared total! Adopt proper measures to protect yourself against vibration exposures! Take the whole work process including times the product is running under no load or switched off into consideration!

Proper measures include among others regular maintenance and care of the product and cutting attachments, keeping hands warm, periodical breaks and proper planning of work processes!

INTENDED USE

This Li-ion pole hedge trimmer is intended for trimming hedges, bushes and shrubs. Observe the technical data for the maximum cutting capacity. Do not cut non plant material or branches exceeding the stated maximum capacity. For safety reasons it is essential to read the entire instruction manual before first operation and to observe all the instructions there in. This product is intended for private domestic use only, not for any commercial trade use. It must not be used for any purposes other than those described.

SAFETY INFORMATION

GENERAL POWER TOOL SAFETY WARNINGS

Read all instructions. Failure to follow all instructions listed below may result in electric shock, fire and/or serious injury. The term “power tool” in all warnings listed below refers to your mains operated power tool.

- 1. Read the instruction carefully.** Be familiar with the controls and the correct use of the appliance. Read and understand the operator’s manual and observe the warnings and instruction labels affixed to the appliance.
- 2. Users.** Never allow children or people unfamiliar with these instructions to use the appliance. Local regulations may restrict the age of operator. Never operate the tool under the influence of alcohol, medication or drugs.
- 3. Use appropriate tool.** This device is only intended for trimming hedge outdoors and only designated for use on private property. Do not force small tools or attachments to do the job of a heavy duty tool.
- 4. Keep work areas clean.** Cluttered areas can cause accidents.
- 5. Consider work area environment.** Do not expose the tool to high humidity or rain. Do not use the tool in damp and wet conditions. Keep the work area well lit. Do not use the tool where there is a risk of causing fire or explosion, e.g. in the presence of flammable liquids and gases.
- 6. Keep all bystanders, children, and pets away.** The operator or user is responsible for accidents or hazards occurring to other people or the property.
- 7. Dress appropriately.** Do not wear loose clothing, hair or jewelry, as these can be caught in moving parts. Preferably wear non-slip footwear when working outdoors. Wear protective hair covering to keep long hair out of the way.

SAFETY INFORMATION

8. **Head protection.** Always use safety glasses and gloves. Use a face or dust mask whenever the operations may produce dust or flying particles. Wear ear protection whenever the sound level seems uncomfortable.
9. **Do not overreach.** Keep proper footing and balance at all times.
10. **Stay alert, watch what you are doing.** Use common sense when operating the appliance. Do not operate the tool when you are tired.
11. **Grip the tool securely.** Operator should have one hand on the main handle, the other on the front handle. Keep finger off trigger until ready to use.
12. **Remove adjusting keys and wrenches.** Always check that adjusting keys and wrenches are removed from the tool before operating the tool.
13. **Risk of cut.** Do not try to grasp or remove trimmings when the product is running. Only remove trimmings when the product is switched off and disconnected from the power supply.
14. **Disconnect the battery.** Disconnect battery from the tool when not in use or when servicing or cleaning.
15. **Check for damaged parts.** Before further use, carefully check the tool for damage. Check for alignment of moving parts, binding of moving parts, breakage of parts, mounting and any other condition that may affect its operation. Do not use the tool if any parts are damaged or defective. Have any damaged or defective parts repaired or replaced by an authorized service agent. Never attempt any repairs yourself.
16. **Store idle tools.** When not in use, tools should be stored in a dry, locked-up place out of reach of children.
17. **Maintain tools with care.** Keep tools clean and in

SAFETY INFORMATION

good condition for better and safer performance. Follow the instructions for maintenance and changing accessories. Keep handles and switches dry, clean and free from oil and grease.

- 18. Have your tool repaired by an authorized service agent.** This tool is manufactured in accordance with the relevant safety regulations. To avoid danger, electrical appliances must only be repaired by qualified technicians.



WARNING! The use of attachments or accessories not recommended by the manufacturer of this tool, can result in serious personal injury.

ADDITIONAL SAFETY INSTRUCTIONS FOR BATTERIES AND CHARGERS

Batteries

1. Never attempt to open for any reason.
2. Do not expose to water.
3. Do not incinerate the battery pack even if it is severely damaged or is completely worn out. The battery pack can explode in a fire.
4. Do not store in locations where the temperature may exceed 40°C.
5. Do not leave the battery pack in the charger when the charging is finished, otherwise battery leakage may occur.
6. Charge only at room temperature.
7. Charge only by using the charger provided with the tool (see technical data).
8. Before charging, make sure that the battery is dry and clean.
9. Use only the correct type of battery for the tool (see technical data).

SAFETY INFORMATION

10. Do not dispose of battery packs/batteries into household waste, fire or water. Battery packs/ batteries should be collected, recycled or disposed of in an environmental-friendly manner.
11. Under extreme conditions, battery leakage may occur. When you notice liquid on the battery, proceed as follows:
 - Carefully wipe the liquid off using a cloth.
 - Avoid skin contact.
 - Dispose of the battery in an environmental friendly manner
12. In case of skin or eye contact, follow the instructions below.
 - The battery fluid, a 25-30% solution of potassium hydroxide, can be harmful. In case of skin contact, immediately rinse with water. Neutralize with a mild acid such as lemon juice or vinegar. In case of eye contact, rinse abundantly with clean water for at least 10 minutes. Consult a physician.
13. Don't let any metal objects contact the electrode plate on battery pack.

NOTE: The batteries in your battery pack are the Lithium-Ion type. Do not dispose of battery packs/ batteries into household waste, fire or water. Battery packs/batteries should be collected, recycled or disposed of in an environmental-friendly manner.

Charger

1. The charger's plug must match the outlet. Never modify the plug in any way. Unmodified

SAFETY INFORMATION

- plug and matching outlets will reduce risk of electric shock.
2. Use your charger only to charge batteries of the type supplied with your tool. Other batteries could burst, causing personal injury and damage.
 3. Only 2 battery packs are allowed to be charged continuously in order to prevent over heating of charger, necessary rest time is required to let the charger cool down before further charging.
 4. When charging is finished, takeaway the battery pack from the charger, do not leave the battery pack in the charger.
 5. Never carry the charger by its cord or pull it to disconnect from the socket. Keep the cord away from heat, oil and sharp edges.
 6. Never attempt to charge non-rechargeable batteries.
 7. The cord of the charger is not changeable, do not continue to use if the cord is damaged.
 8. Do not expose to water or rain, do not use in wet condition.
 9. Do not open the charger.
 10. Do not probe the charger.
 11. Intended for indoor use only.

ADDITIONAL SAFETY INSTRUCTIONS FOR HEDGE TRIMMERS

1. **THIS TOOL CAN CAUSE SERIOUS INJURIES.**
Read instructions carefully for the correct handling, preparation, maintenance, starting and stopping of the tool. Be familiar with all controls and proper use of the tool.

SAFETY INFORMATION

2. Only use the tool in daylight or good artificial light.
3. Never allow children to use the tool.
4. Beware of overhead power lines.
5. Avoid operating while people, especially children are nearby.
6. Dress properly! Do not wear loose clothing or jewellery which can be caught in moving parts. Use of sturdy gloves, non-skid footwear, and safety glasses is recommended.
7. If the tool stalls, immediately switch it off. Remove the battery before attempting to remove any obstructions.
8. Remove the battery before checking, maintenance or working on the tool.
9. While operating the tool always be sure of a safe and secure operating position especially when using steps or a ladder.
10. Do not attempt to repair the tool.
11. Do not operate the tool with a damaged or excessively worn cutting device.
12. Always wear ear protection, goggles and a helmet during operating.
13. Always ensure that all guards are fitted when using the tool. Never attempt to use an incomplete tool or a tool with unauthorized modifications.
14. Always use two hands to operate the tool.
15. When transporting or storing the tool, always fit the blade sheath.
16. Always be aware of your surroundings and stay alert for possible hazards that you may not hear due to the noise of the tool.

SAFETY INFORMATION

17. Do not carry the tool with your hands on the switch unless the battery has been removed.
18. If you have not used a hedge trimmer before, preferably seek practical instruction by an experienced user in addition to studying this manual.
19. Never touch the blades while the tool is running.
20. Never attempt to force the blades to come to a standstill.
21. Do not put the tool down until the blade has come to a complete standstill.
22. Regularly check the blades for damage and wear. Do not use the machine when the blades are damaged.
23. Take care to avoid hard objects (e.g. metal wire, railings) when trimming. Should you accidentally hit any such object, immediately switch the tool off and check for any damage.
24. Should the tool start to vibrate abnormally, immediately switch it off and check for any damage.
25. Always be aware of falling debris when cutting the higher sides of a hedge.
26. Be aware of the cutting blade; always wear gloves to protect your hands from cut.

EMERGENCY

Familiarise yourself with the use of this product by means of this instruction manual. Memorise the safety directions and follow them to the letter. This will help to prevent risks and hazards.

SAFETY INFORMATION

1. Always be alert when using this product, so that you can recognise and handle risks early. Fast intervention can prevent serious injury and damage to property.
2. Switch off and disconnect from the power supply if there is any malfunction. Have the product checked by a qualified specialist and repaired, if necessary, before you put it into operation again.

RESIDUAL RISKS

Even if you are operating this product in accordance with all the safety requirements, potential risks of injury and damage remain. The following dangers can arise in connection with the structure and design of this product:

1. Health defects resulting from vibration emission if the product is being used over long periods of time or not adequately managed and properly maintained.
2. Injuries and damage to property due to broken application tools or the sudden impact of hidden objects during use.
3. Danger of injury and property damage caused by flying objects.



WARNING! This product produces an electromagnetic field during operation! This field may under some circumstances interfere with active or passive medical implants! To reduce the risk of serious or fatal injury, we recommend persons with medical implants to consult their doctor and the medical implant manufacturer before operating this product.

SAFETY INFORMATION

DESCRIPTION OF SYMBOLS

Warning symbols



Warning!



The product complies with the applicable European directives and an evaluation method of conformity for these directives was done.



Read the instruction manual before use.



Wear eye protection.
Wear ear protection.



Wear protective boots



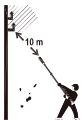
Wear protective gloves



Keep bystanders away. Thrown objects can cause serious injury.



Do not expose to rain.



WARNING! The device is not protected against electric shocks when it touches high-voltage lines! Maintain a safe distance of 10m from live electrical lines.



Guaranteed Sound power level data.



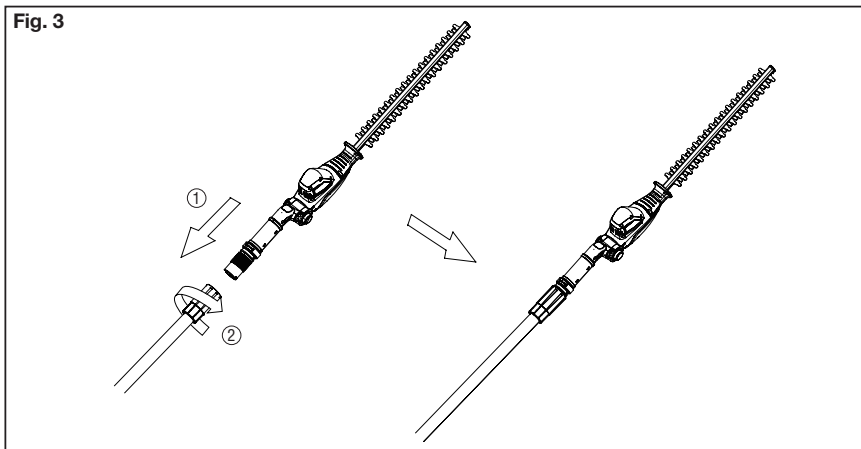
Waste electrical products should not be disposed of with household waste. Please recycle where facilities exist. Check with your Local Authority or retailer for recycling advice.

ASSEMBLY

Fitting the hedge trimmer attachment.

1. Insert the hedge trimmer attachment into the pole socket.
2. Tighten the knob by turning clockwise.

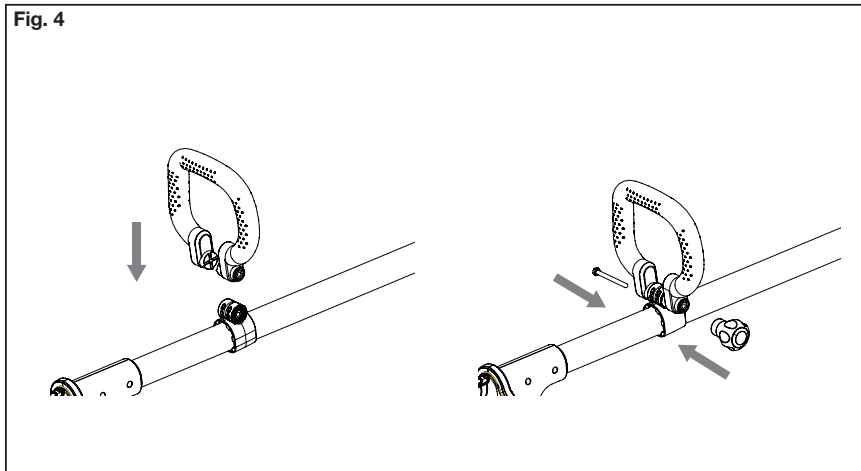
Fig. 3



Assemble the front handle

Attach the front handle to the block on the lower handle, and insert the bolt. Tighten the knob to the bolt.

Fig. 4

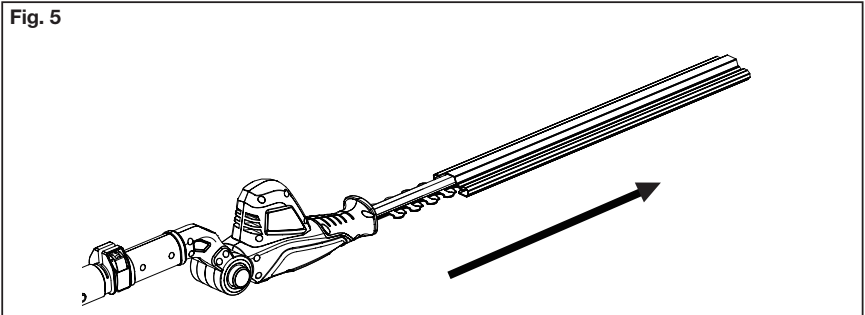


ASSEMBLY

Take off the blade sheath

Slide the blade sheath off before you start the machine.

Fig. 5



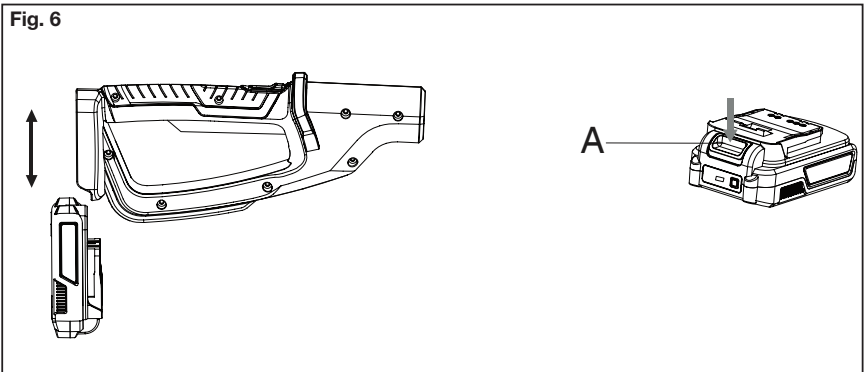
Inserting the battery pack



WARNING! Always release the On/Off switch before insert in or removal of the battery pack. Remove the battery pack. Depress the button (A) on end of the battery pack, and then remove the pack from the tool.

Install the battery pack. Align the ribs on both side of the battery pack with the slots in the housing and slip it into place. Always insert it all the way until it locks in place with a click sound. If not, it may accidentally fall out of the tool, causing injury to you or someone around you. To release the battery from the product, push the button (A) on the battery pack and pull away from the product.

Fig. 6



OPERATION

Switch ON/OFF



WARNING! If any parts are missing, damaged or broken, do not operate your hedge trimmer until all damaged parts have been replaced or repaired. Failure to do so could result in serious personal injury.

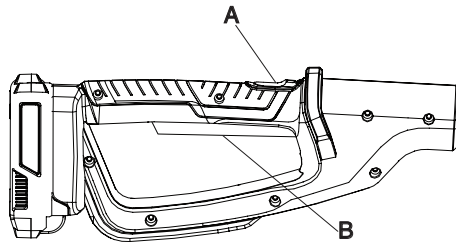
Switching the trimmer on:

1. Push forward the safety lock-off button (A) and then press the start button (B) on the handle.
2. Release the safety lock-off button (A) .

Switching the trimmer off:

1. Release the start button (B) on the handle.

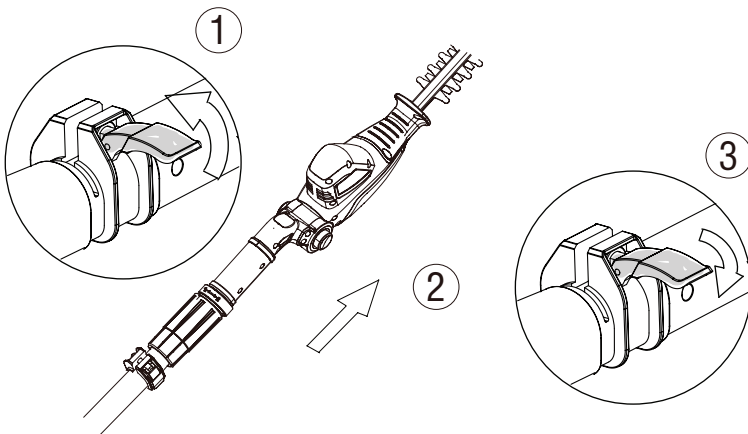
Fig. 7



Telescopic handle

Open the clamping lever and extend upper part of handle to desired handle length. Then click the clamping lever to fix the tube tight.

Fig. 8

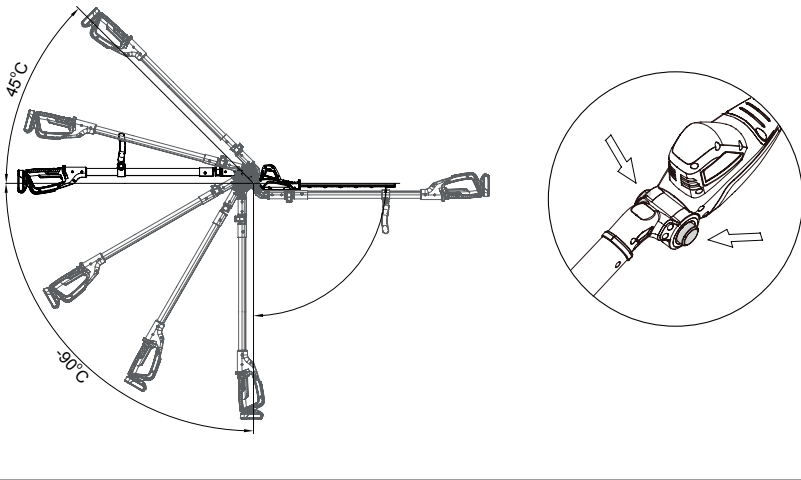


OPERATION

Function of swivel head

Note: The cutter head can be locked in 9 positions (-45° ~ 90°). Hold the handle tightly. Push the lock button and then turn the cutter head to the desired position. Release the lock button again and check whether the cutter head is locked in place.

Fig. 9



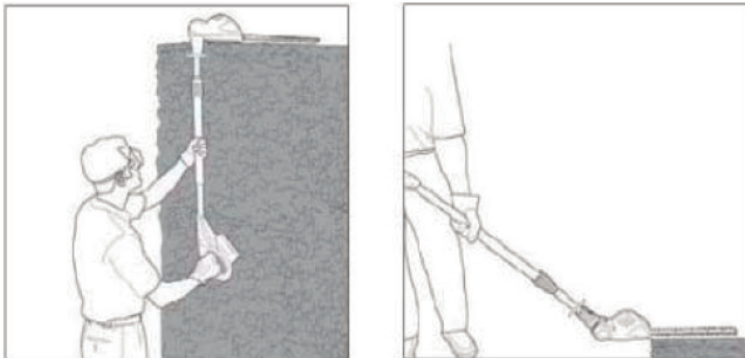
Using the hedge trimmer



WARNING! Remove the cut branches. DO NOT exceed the cutting capacity of this product.

With its unique design the pole trimmer can be used to trim and shape hard to reach areas of hedges and bushes such as those show in below Abb.ure.

Fig. 10



OPERATION

Cutting guide

Seasonal hedges and shrubs that lose their leaves in the winter should be trimmed in June and October. Evergreen hedges and shrubs that retain their leaves in the winter should be trimmed in April and August. Conifers and other fast growing shrubs can be trimmed every six weeks from May onwards, throughout the growing season.

MAINTENANCE AND STORING

Maintenance

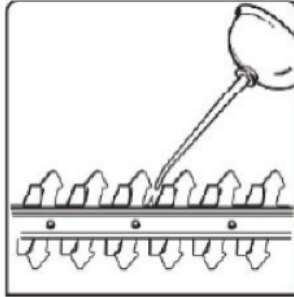


WARNING: Before any maintenance, always take off the battery pack and wear protection gloves.

Lubrication of the blade

For easier operation and longer life, lubricate the cutting blades before and after each use. Before lubricating, make sure your hedge trimmer is disconnected from the battery. Apply the oil (any kind of lubrication oil) so that it runs between the two blades.

Fig. 11



Clean



WARNING! Before commencing these cleaning procedures or when clearing a blockage, make sure that the hedge trimmer is switched off and disconnected from the battery.

To ensure the best performance from the hedge trimmer, it must be kept clean. Always clean the hedge trimmer immediately after use.

Never use water for cleaning your hedge trimmer, but use a soft damp cloth.

Do not clean with chemicals, including petrol, or solvents as this can damage your hedge trimmer. Do not allow cuttings and other debris to become dry and hard on any of the hedge trimmer surfaces. This will directly affect the cutting performance.

Make sure that the blade is kept clean of all cuttings and other debris.

Take extra care to clean the cooling vents.

Storage

Make sure that the hedge trimmer has been thoroughly cleaned before storing it in a clean dry place out of the reach of children. Always fit the transportation blade sheath when storing the hedge trimmer.

TROUBLESHOOTING

Although your new cordless hedge trimmer is really easy to operate, if you do experience problems, check the following:

Check battery pack assembly;

If trimmer will not operate

Charge the battery: operation of the hedge trimmer is dependent upon sufficient charge in the battery pack.

If the battery will not charge

Check to see if the battery is properly inserted into the charging station, and make sure the indicator light is on. If not, check the power supply to the socket.

If the trimmer is not cutting properly

Check the condition of the blades; if the blade is blunt or damaged have them repaired by a qualified service agent.

If a fault is suspected return the trimmer to an authorized dealer to repair.

DECLARATION OF CONFORMITY

To the provisions of Council Directives

MEROTEC GmbH
Otto-Brenner-Straße 8
47877 Willich / Germany

Declare that the product:

Description: 20V CORDLESS POLE HEDGE TRIMMER
Model No: MOE-16ET-410
Function: Trimming hedges, bushes and shrubs

Complies with essential health and safety requirements of the following directives:

2006/42/EC Machinery Directive

2014/30/EU EMC directive

2000/14/EC Noise Directive, amended by 2005/88/EC conformity assessment procedure: 2000/14/EC Annex VI

Measured sound power level $L_{WA} = 87.9$ dB(A) ($K = 3$ dB(A))

Guaranteed sound power level $L_{WA} = 90$ dB(A)

2011/65/EU*) RoHS directive

Standards and technical specification referred to:

EN 60745-2-15:2009+A1:10

EN 60745-1:2009+A11:10

EN ISO 10157:2009+A1:2013

EN 55014-1:2006/+A1:2009/+A2:2011

EN 55014-2:2015

EN50581:2012

Place and date: Willich, 16.04.2020

Legally valid signature:

Signature: 

General Manager MEROTEC GmbH

MEROTEC GmbH,
Otto-Brenner-Straße 8,
47877 Willich, Germany



*) The object of the declaration described above satisfies the provisions of directive 2011/65/EU of the European Parliament and the Council of 8 June 2011 on limiting the use of certain harmful substances in electrical and electronic appliances.