



YARD FORCE®

LAWN & GARDEN EQUIPMENT

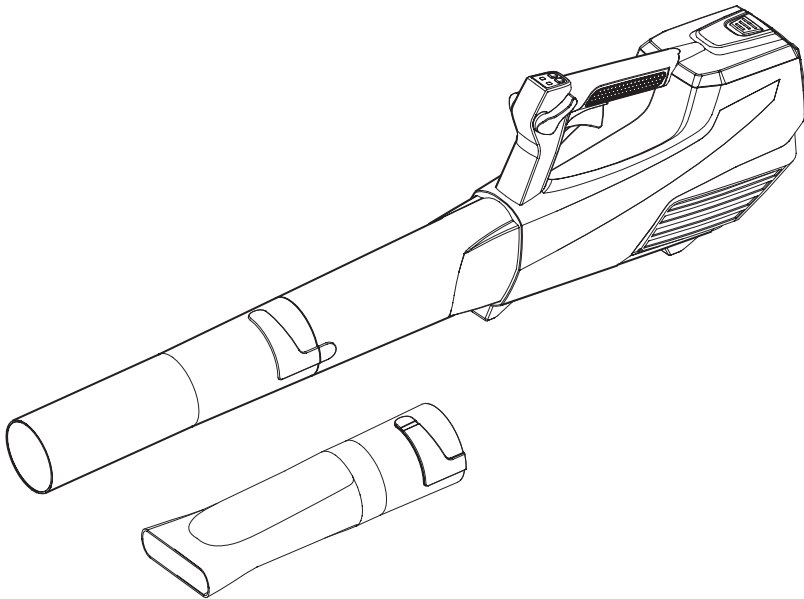
LB G18W

Y0R-SP01-1840

GB

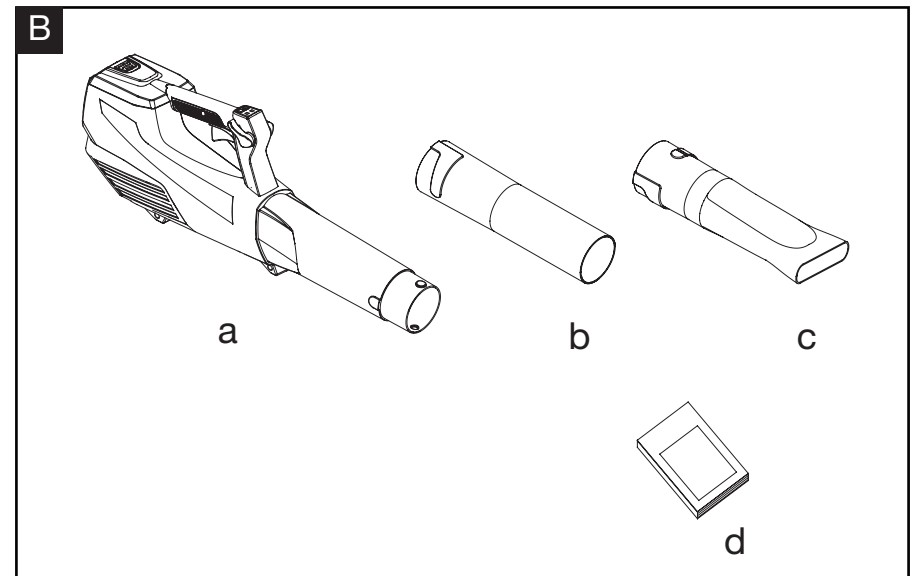
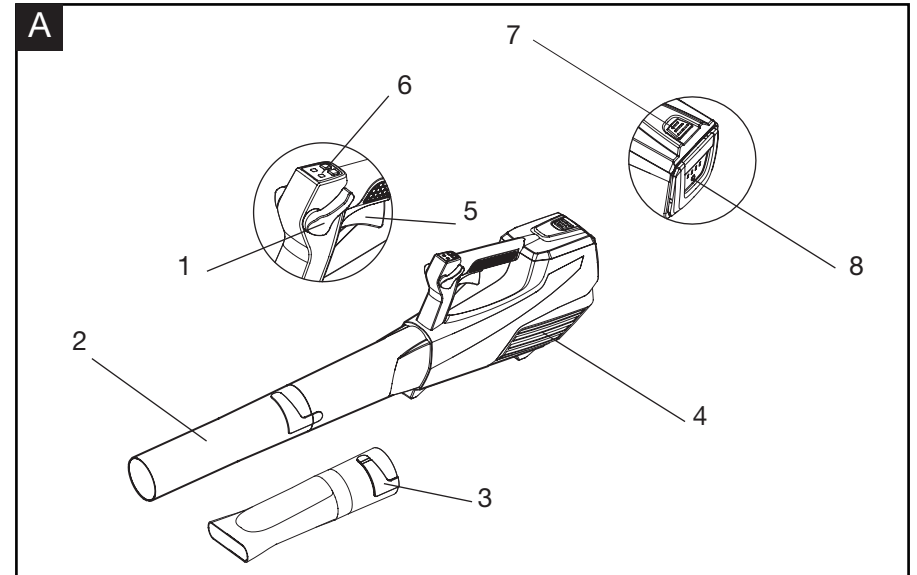
40V CORDLESS BLOWER

Original Instructions



READ & UNDERSTAND INSTRUCTION MANUAL

Save all warnings and instructions for future reference.



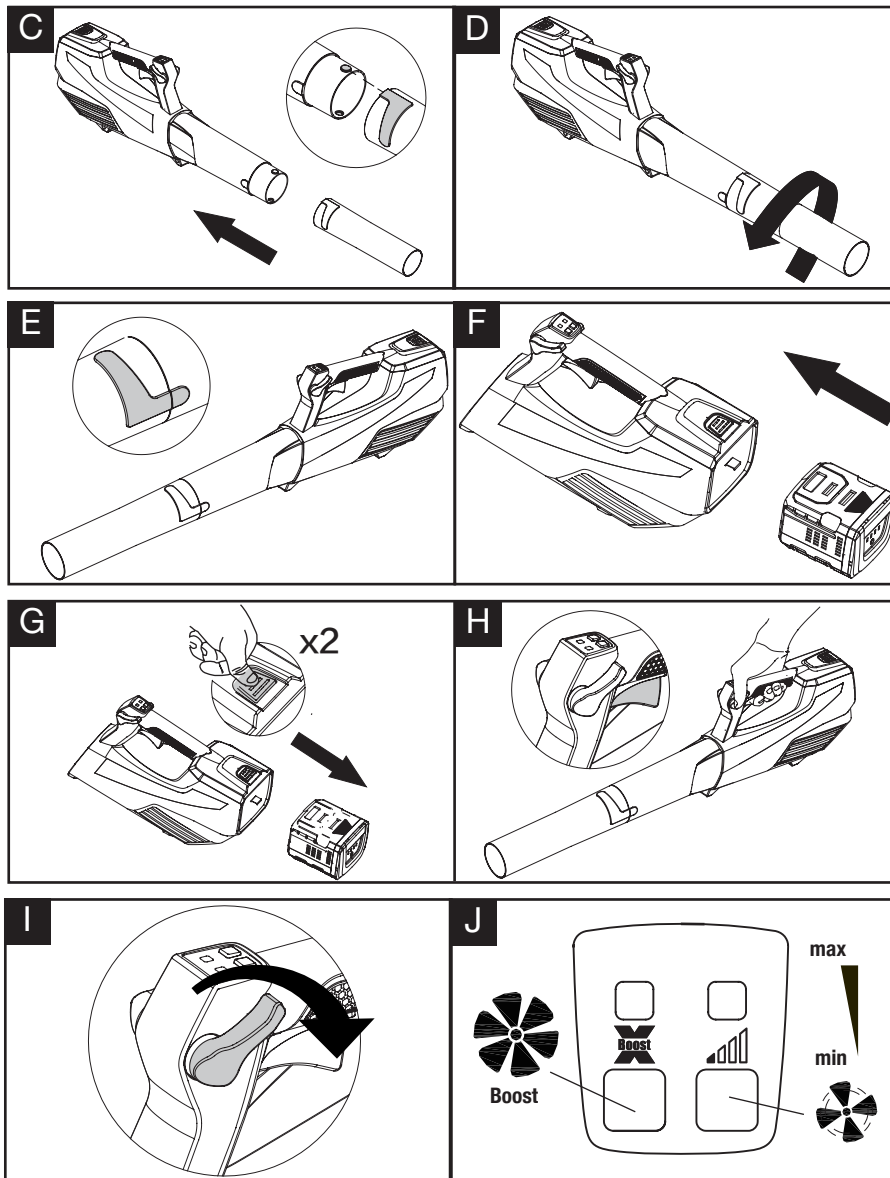
Read this manual carefully prior to assembling and operating the product. It is dangerous to operate this product without being familiar with these instructions. Keep this manual in a safe place and have it ready for future reference.

YARD FORCE

LB G18W Original Instructions

CONTENT

Intended use	06
General safety warnings	06
Product safety warnings	13
Symbols	19
Technical data	21
Description of product	22
Assembly	23
Operation	23
Maintenance and storage	25
Troubleshooting	25
CE declaration	26



INTENDED USE

The blower is intended for use for blow-sweeping leaves, grass, paper and similar materials, e. g. in gardens, sports stadiums, car parks and driveways. Do not operate your blower indoors. Do not use the blower for any other purpose because of the increased risk of accidents and damage to the blower. Never attempt to modify the blower in any way.

The machine is to be used only for its prescribed purpose. Any other use is deemed to be a case of misuse. The user/operator and not the manufacturer will be liable for any damage or injuries of any kind caused as a result of this.

GENERAL SAFETY WARNINGS

WARNING: Read all safety warnings and instructions. Failure to follow the warnings and instructions may result in electric shock, fire and/or serious injury.

Save all warnings and instructions for future reference.

The term “power tool” in the warnings refers to your mains-operated (corded) power tool or battery-operated (cordless) power tool.

WORK AREA SAFETY

1. Keep work area clean and well lit. Cluttered or dark areas invite accidents.
2. Do not operate power tools in explosive atmospheres, such as in the presence of flammable liquids, petrol or dust. Power tools create sparks which may ignite the dust or fumes.
3. Keep children and bystanders away while operating a power tool. Distractions can cause you to lose control.

GENERAL SAFETY WARNINGS

ELECTRICAL SAFETY

1. Power tool plugs must match the outlet. Never modify the plug in any way. Do not use any adaptor plugs with earthed (grounded) power tools. Unmodified plugs and matching outlets will reduce risk of electric shock.
2. Avoid body contact with earthed or grounded surfaces, such as pipes, radiators, ranges and refrigerators. There is an increased risk of electric shock if your body is earthed or grounded.
3. Do not expose power tools to rain or wet conditions. Water entering a power tool will increase the risk of electric shock.
4. Do not abuse the cord. Never use the cord for carrying, pulling or unplugging the power tool. Keep cord away from heat, oil, sharp edges or moving parts. Damaged or entangled cords increase the risk of electric shock.
5. When operating a power tool outdoors, use an extension cord suitable for outdoor use. Use of a cord suitable for outdoor use reduces the risk of electric shock.
6. If operating a power tool in a damp location is unavoidable, use a Ground-fault circuit interrupter protected supply. Use of GFCI reduces the risk of electric shock.

GENERAL SAFETY WARNINGS

PERSONAL SAFETY

1. Stay alert, watch what you are doing and use common sense when operating a power tool. Do not use a power tool while you are tired or under the influence of drugs, alcohol, or medication. A moment of inattention while operating power tools may result in serious personal injury.
2. Use personal protective equipment. Always wear eye protection. Protective equipment such as dust mask, non-skid safety shoes, hard hat, or hearing protection used for appropriate conditions will reduce personal injuries.
3. Prevent unintentional starting. Ensure the switch is in the off-position before connecting to power source and/or battery pack, picking up or carrying the tool. Carrying power tools with your finger on the switch or energizing power tools that have the switch on invites accidents.
4. Remove any adjusting key or wrench before turning the power tool on. A wrench or a key left attached to a rotating part of the power tool may result in personal injury.
5. Do not overreach. Keep proper footing and balance at all times. This enables better control of the power tool in unexpected situations.
6. Dress properly. Do not wear loose clothing or jewelry. Keep your hair, clothing and gloves away from moving parts. Loose clothes, jewelry or long hair can be caught in moving parts.

GENERAL SAFETY WARNINGS

7. If devices are provided for the connection of dust extraction and collection facilities, ensure these are connected and properly used. Use of dust devices can reduce dust-related hazards.

POWER TOOL USE AND CARE

1. Do not force the power tool. Use the correct power tool for your application. The correct power tool will do the job better and safer at the rate for which it was designed.
2. Do not use the power tool if the switch does not turn it on and off. Any power tool that cannot be controlled with the switch is dangerous and must be repaired.
3. Disconnect the plug from the power source and/ or the battery pack from the power tool before making any adjustments, changing accessories, or storing power tools. Such preventive safety measures reduce the risk of starting the power tool accidentally.
4. Store idle power tools out of the reach of children and do not allow persons unfamiliar with the power tool or these instructions to operate the power tool. Power tools are dangerous in the hands of untrained users.
5. Maintain power tools. Check for misalignment or binding of moving parts, breakage of parts and any other condition that may affect the power tool's operation. If damaged, have the power tool repaired before use. Many accidents are caused by poorly maintained power tools.

GENERAL SAFETY WARNINGS

6. Keep cutting tools sharp and clean. Properly maintained cutting tools with sharp cutting edges are less likely to bind and are easier to control.
7. Use the power tool, accessories and tool bits etc. in accordance with these instructions, taking into account the working conditions and the work to be performed. Use of the power tool for operations different from those intended could result in a hazardous situation.

BATTERY TOOL USE AND CARE

1. Recharge only with the charger specified by the manufacturer. A charger that is suitable for one type of battery pack may create a risk of fire when used with another battery pack.
2. Use power tools only with specifically designated battery packs. Use of any other battery packs may create a risk of injury and fire.
3. When battery pack is not in use, keep it away from other metal objects, like paper clips, coins, keys, nails, screws or other small metal objects that can make a connection from one terminal to another. Shorting the battery terminals together may cause burns or a fire.
4. Under abusive conditions, liquid may be ejected from the battery; avoid contact. If contact accidentally occurs, flush with water. If liquid contacts eyes, additionally seek medical help. Liquid ejected from the battery may cause irritation or burns.

GENERAL SAFETY WARNINGS

SERVICE

Have your power tool serviced by a qualified repair person using only identical replacement parts. This will ensure that the safety of the power tool is maintained.

TRAINING

1. Read the instructions carefully. Be familiar with the controls and the proper use of the appliance.
2. Never allow children, persons with reduced physical, sensory or mental capabilities or lack of experience and knowledge or people unfamiliar with these instructions to use the machine.
3. Never allow people unfamiliar with these instructions to use the appliance. Local regulations may restrict the age of the operator.
4. Never operate the appliance while people, especially children, or pets are nearby.
5. The operator or user is responsible for accidents or hazards occurring to other people or their property.

PREPARATION

1. While operating the appliance, always wear substantial footwear and long trousers.
2. Do not wear loose clothing or jewellery that can be drawn into the air inlet. Keep long hair away from the air inlets.
3. Wear protective goggles while operating.
4. To prevent dust irritation the wearing of a face mask is recommended.

GENERAL SAFETY WARNINGS

5. Before using, check the batteries or battery packs for damage. Do not use the appliance if the batteries or battery pack is damaged.
6. Never operate the appliance with defective guards or shields, or without safety devices, for example debris collector in place.

MAINTENANCE AND STORAGE

1. Keep all nuts, bolts and screws tight to be sure the appliance is in safe working condition.
2. Replace worn or damaged parts.
3. Use only genuine replacement parts and accessories
4. Store the appliance only in a dry place.

PRODUCT SAFETY WARNINGS

PRODUCT SAFETY

1. Know your power blower. Read the instruction manual carefully. Learn the blower's applications and limitations, as well as the specific potential hazards related to this blower. Following this rule will reduce the risk of electric shock, fire, or serious injury.
2. Don't expose the blower to rain or wet conditions. Water entering a blower will increase the risk of electric shock.
3. Do not allow the blower to be used as a toy. Close attention is necessary when used by or near children.
4. Use only as described in this manual. Use only manufacturer's recommended attachments.
5. If the blower is not working as it should, has been dropped, damaged, left outdoors, or dropped into water, return it to a service center.
6. Do not handle the charger, including charger plug, or charger terminals with wet hands.
7. Do not put any object into any openings. Do not use with any opening blocked; keep openings free of dust, lint, hair, and anything that may reduce air flow.
8. Keep hair, loose clothing, fingers, and all parts of body away from openings and moving parts. Loose clothes, jewelry, or long hair can be drawn into air vents.
9. Secure long hair above shoulder level to prevent entanglement in moving parts.
10. Use extra care when cleaning on stairs.
11. Do not charge the battery pack outdoors.

PRODUCT SAFETY WARNINGS

12. Use only the charger supplied by the manufacturer to recharge.
13. Do not leave blower unattended when the battery is inserted. Remove the battery when the blower is not in use and before servicing.
14. Do not operate blowers in explosive atmospheres, such as in the presence of flammable liquids, gases, or dust. Blowers create sparks which may ignite the dust or fumes.
15. Use the battery operated blower only with specifically designated battery pack. Use of any other batteries may create a risk of fire.
16. Stay alert, watch what you are doing and use common sense when operating a power blower. Do not use the blower while tired, upset, or under the influence of drugs, alcohol, or medication. A moment of inattention while operating blowers may result in serious personal injury.
17. Avoid accidental starting. Be sure that the switch is in the locked or off position before inserting the battery pack. Carrying blowers with your finger on the switch or inserting the battery pack into a blower with the switch on invites accidents.
18. Use safety equipment. Always wear eye protection. Dust mask, non-skid safety shoes, hard hat, or hearing protection must be used for appropriate conditions.
19. Do not use on a ladder, rooftop, tree, or other unstable support. Stable footing on a solid surface

PRODUCT SAFETY WARNINGS

- enables better control of the blower in unexpected situations.
20. Always take care of your feet, children, or pets around you when removing the battery pack from blower. Serious injury could result if the battery pack falls. NEVER remove the battery pack when in a high position.
 21. Do not use the blower if switch does not turn it on or off. A blower that cannot be controlled with the switch is dangerous and must be repaired.
 22. Disconnect the battery pack from the blower before making any adjustments, changing accessories, or storing the blower. Such preventive safety measures reduce the risk of starting the blower accidentally.
 23. Turn off all controls before removing the battery.
 24. DO NOT attempt to clear clogs from the unit without first removing the battery.
 25. Check for misalignment or binding of moving parts, breakage of parts, and any other condition that may affect the blower's operation. If damaged, have the blower serviced before using. Many accidents are caused by poorly maintained blowers.
 26. Keep the blower and its handle dry, clean and free from oil and grease. Always use a clean cloth when cleaning. Never use brake fluids, gasoline, petroleum-based products, or any strong solvents to clean your blower. Following this rule will reduce the risk of loss of control and deterioration of the enclosure plastic.

PRODUCT SAFETY WARNINGS

27. Always wear safety glasses with side shields. Everyday glasses have only impact resistant lenses. They are NOT safety glasses. Following this rule will reduce the risk of eye injury.
28. Protect your lungs. Wear a face or dust mask if the operation is dusty. Following this rule will reduce the risk of serious personal injury.
29. Protect your hearing. Wear hearing protection during extended periods of operation. Following this rule will reduce the risk of serious personal injury.
30. Battery powered blowers do not have to be plugged into an electrical outlet; therefore, they are always in operating condition. Be aware of possible hazards when not using your battery powered blower or when changing accessories. Following this rule will reduce the risk of electric shock, fire, or serious personal injury.
31. Wear heavy long trousers, long sleeves, boots, and gloves. Avoid loose garments or jewelry that could get caught in moving parts of the machine or its motor.
32. Do not operate the equipment while barefoot or when wearing sandals or similar lightweight footwear. Wear protective footwear that will protect your feet and improve your footing on slippery surfaces.
33. Batteries can explode in the presence of a source of ignition, such as a pilot light. To reduce the risk of serious personal injury, never use any cordless product in the presence of an open flame. An

PRODUCT SAFETY WARNINGS

- exploded battery can propel debris and chemicals. If exposed, flush with water immediately.
34. Keep firm footing and balance. Do not overreach. Overreaching can result in loss of balance.
35. Check the work area before each use. Remove all objects such as rocks, broken glass, nails, wire, or string which can be thrown by or become entangled in the machine.
36. Do not point the blower tube in the direction of people or pets.
37. Never run the unit without the proper equipment attached. Always ensure that the blower tube is installed.
38. When not in use, the blower should be stored indoors in a dry, secure place out of the reach of children.
39. Keep all bystanders, children, and pets at least 15m away.
40. Blower service must be performed only by qualified repair personnel. Service or maintenance performed by unqualified personnel may result in a risk of injury.
41. When servicing a blower, use only identical replacement parts. Follow instructions in the Maintenance section of this manual. Use of unauthorized parts or failure to follow Maintenance Instructions may create a risk of shock or injury.
42. Never use the blower near fires or hot ashes. Use near fires or ashes can spread fires and result in serious injury and/or property damage.

PRODUCT SAFETY WARNINGS

43. Never use blower to spread chemicals, fertilizers, or any other toxic substances. Spreading these substances could result in serious injury to the operator or bystanders.
44. Never place the blower on any surface, except a hard, clean surface when the motor is running. Gravel, sand, and other debris can be picked up by the air inlet and thrown at the operator or bystanders, causing possible serious injuries.
45. Save these instructions. Refer to them frequently and use them to instruct others who may use this tool. If you loan this tool to someone else, also loan these instructions to them to prevent misuse of the product and possible injury.

SYMBOLS

Safety symbols

The purpose of safety symbols is to attract your attention to possible dangers. The safety symbols and the explanations with them require your careful attention and full understanding. The symbol warnings do not, by themselves, eliminate any danger. The instructions and warnings they give are no substitutes for proper accident prevention measures.

WARNING: Be sure to read and understand all safety instructions in this operators manual, including all safety alert symbols such as “**DANGER**,” “**WARNING**,” and “**CAUTION**” before using this tool. Failure to follow all instructions listed below may result in electric shock, fire and/or serious personal injury.

SAFETY ALERT SYMBOL: Indicates **DANGER**, **WARNING**, or **CAUTION**. May be used in conjunction with other symbols or pictographs.

Symbol meaning

This page depicts and describes safety symbols that may appear on this product. Read, understand and follow all instructions on the machine before attempting to assemble and operate.

SYMBOLS



Read the operating instructions before use!



Be careful when handling the device! Observe all safety instructions in the instructions manual!



Don't expose to rain.



Keep all bystanders at least 15m away.



When working with the device, wear eye protection.



When working with the device, wear ear protection.



Guaranteed sound power level value is 98 dB.

TECHNICAL DATA

Model		LB G18W
Mains voltage		40 V
Maximum Air Velocity		230 km/h
Air Volume		550 CFM
Weight		2.6 kg
Sound pressure level: L_{pA}		82.8 dB(A) K=3 dB(A)
Sound power level: L_{wA}		96.95 dB(A) K=3 dB(A)
Guaranteed sound power level L_{wA}		100 dB(A)
Vibration front handle		1.87 m/s^2 , K=1.5 m/s^2

The declared vibration total value has been measured in accordance with a standard test method and may be used for comparing one tool with another;

The declared vibration total value may also be used in a preliminary assessment of exposure.

NOTE: The vibration emission during actual use of the power tool can differ from the declared value in which the tool is used; In order to protect the operator, user should wear gloves and ear protectors in the actual conditions of use.

DESCRIPTION OF PRODUCT

Parts description (Fig. A)

1. Speed/Cruiser lock lever
2. Lower Tube
3. Flat nozzle
4. Air inlet
5. Trigger Switch
6. Control panel
7. Battery pack release button
8. Battery pack

Delivery contents (Fig. B)

Carefully unpack the appliance and check that it is complete. Dispose of the packaging material correctly.

- a. 40V cordless blower
- b. Lower round tube
- c. Lower flat nozzle
- d. Manual



WARNING: If any parts are damaged or missing, do not operate this tool until these parts are replaced. Failure to heed this warning could result in serious personal injury.



NOTE: Always recycle the packaging in accordance with local recycling guidelines.

ASSEMBLY

Assembling the lower tube to upper tube

WARNING: Before performing any assembly. Always ensure that the battery pack has been removed.

1. Select the tube nozzle type – round or flat
 - Round nozzle for general blowing.
 - Flat nozzle for concentrated blowing
2. Aligning the slot on the lower tube with raised post on the upper tube. (Fig. C)
3. Push them against each other.
4. Twist the lower tube clockwise. (Fig. D)
5. Make sure that the nozzle is securely fitted. (Fig. E)

OPERATION

To insert the battery pack (Fig. F)

1. Align the groove on the battery pack with the corresponding ribs in the receptacle of the device.
2. Insert the battery pack with moderate force until it locks in to place.

WARNING: Only use Yard Force 40V original battery pack!

To remove the battery pack from the tool (Fig. G)

1. Press once release to transport position.
2. Press again full releases the battery
3. Remove the battery pack from the tool.

Check before starting!

DANGER! Risk of injury! The device must only be put into operation if no faults are found. If any part of the device is defective, it must be replaced before the next use.

Check the safety equipment and the safe condition of the device.

- Check all parts to make sure they fit tightly.
- Check whether there are visible defects: broken parts, cracks, etc.

To Start (Fig. H)

1. Depress the trigger and the blower will begin to run.
2. To lock the blower on, move the speed /cruiser lock lever down to fix required speed. The blower runs at higher speeds as the lever is moved further back. (Fig. I)
3. The speed /cruiser lock lever lock can also be pulled back to start the blower without needing to first depress the air-speed trigger.

OPERATION

To Stop

1. If the speed /crusier lock lever lock lever is not engaged, release the air-speed trigger to stop the blower.
2. If the speed /crusier lock lever lock is engaged, move the lever to the OFF position to stop the blower.

Speed adjustment

This machine has 3 speed settings which can be changed with a press of a button. (Fig. J)

1. Ensure the blower is switched ON
2. Press the speed adjustment button and set to your selected cutting speed.
3. If the speed is set to MAX, press the speed adjust button again and this will reduce the speed.

Boost function (Fig. J)

This machine has boost function to supply the peak power. press the button when needed.

OPERATING THE BLOWER

1. To keep from scattering debris, blow around the outer edges of a debris pile. Never blow directly into the center of a pile.
2. To reduce sound levels, limit the number of pieces of equipment used at any one time.
3. Use rakes and brooms to loosen debris before blowing. In dusty conditions, slightly dampen surfaces when water is available.
4. Conserve water by using power blowers instead of hoses for many lawn and garden applications, including areas such as gutters, screens, patios, grills, porches, and gardens.
5. Watch out for children, pets, open windows, or freshly washed cars, and blow debris safely away.
6. After using blowers or other equipment, clean up! Dispose of debris properly.

MAINTENANCE AND STORAGE

WARNING: When servicing, use only identical replacement parts. Use of any other parts may create a hazard or cause product damage. To ensure safety and reliability, all repairs should be performed by a qualified service technician.

WARNING: To avoid serious personal injury, always remove the battery pack from the product when cleaning or performing any maintenance.

GENERAL MAINTENANCE

Avoid using solvents when cleaning plastic parts. Most plastics are susceptible to damage from various types of commercial solvents and may be damaged by their use. Use clean cloths to remove dirt, dust, oil, grease, etc.

WARNING: Do not at any time let brake fluids, petrol, petroleum-based products, penetrating oils, etc., come in contact with plastic parts. Chemicals can damage, weaken or destroy plastic which may result in serious personal injury.

STORAGE

1. Clean all foreign material from the air inlets of the blower.
2. Store indoors in a place that is inaccessible to children. Keep away from corrosive agents, such as garden chemicals and de-icing salts.

TROUBLESHOOTING

Fault/malfunction	Cause	Remedial measure
Motor not running	The battery pack is not attached to the blower.	Attach the battery pack to the blower
	No electrical contact between the blower and battery.	Remove battery, check contacts and reinstall the battery pack.
	The battery pack is depleted.	Charge the battery pack
	The battery pack or blower is too hot.	Cool the battery pack and blower until the temperature drops below 50°C
The air velocity decreases significantly.	Excessive wearing of motor fan.	Contact service center for repair.
	The air inlet is blocked by debris.	Remove the battery pack, clear the debris.

CE DECLARATION

To the provisions of Council Directives

We
SUMEC UK
Unit A&B Escrick Business Park Escrick, York YO19 6FD/ United Kingdom

Declare that the product:
Description: 40V Cordless Blower
Model No. LB G18W / Y0R-SP01-1840
Function: vacuuming and blowing leaves

Complies with the essential health and safety requirements of the following directives:

Machinery Directive 2006/42/EC
Electromagnetic Compatibility Directive 2014/30/EU
EC Directive 2011/65/EU and its amendment Directive (EU) 2015/863 (RoHS)
Noise Emission in the Environment by Equipment for Use Outdoors Directive 2000/14/EC amended by 2005/88/EC
Measured Sound Power Level: 96.95 dB(A) K=3 dB(A)
Declared Guaranteed Sound Power Level: 100 dB (A)

Standards and technical specification referred to:

EN 60335-1:2012+A11+A13+A14+A2
EN 50636-2-100: 2014
EN 62233: 2008
EN 55014-1: 2017
EN 55014-2: 2015
EN 50581: 2012

Authorized Signatory
Date: 24.03.2020

Signature: M. Hall
Place: York
Name: Mariana Hall
General Manager

SUMEC UK Co.,Ltd.
Unit A&B Escrick Business Park
Escrick, York YO19 6FD/ United Kingdom



CE DECLARATION

To the provisions of Council Directives

We
MEROTEC GmbH,
Otto-Brenner-Straße 8,
47877 Willich/ Deutschland

Declare that the product:
Description: 40V Cordless Blower
Model No. LB G18W / Y0R-SP01-1840
Function: vacuuming and blowing leaves

Complies with the essential health and safety requirements of the following directives:

Machinery Directive 2006/42/EC
Electromagnetic Compatibility Directive 2014/30/EU
EC Directive 2011/65/EU and its amendment Directive (EU) 2015/863 (RoHS)
Noise Emission in the Environment by Equipment for Use Outdoors Directive 2000/14/EC amended by 2005/88/EC
Measured Sound Power Level: 96.95 dB(A) K=3 dB(A)
Declared Guaranteed Sound Power Level: 100 dB (A)

Standards and technical specification referred to:

EN 60335-1:2012+A11+A13+A14+A2
EN 50636-2-100: 2014
EN 62233: 2008
EN 55014-1: 2017
EN 55014-2: 2015
EN 50581: 2012

Authorized Signatory
Date: 24.03.2020

Signature: Roland Menken
Place: Willich
Name: Roland Menken
General Manager

MEROTEC GmbH,
Otto-Brenner-Straße 8,
47877 Willich/ Deutschland



CE DECLARATION

To the provisions of Council Directives

We
SUMEC France Sarl
59 bis Rue du Mûrier
37540 Saint Cyr Sur Loire, France

Declare that the product:
Description: 40V Cordless Blower
Model No. LB G18W / Y0R-SP01-1840
Function: vacuuming and blowing leaves

Complies with the essential health and safety requirements of the following directives:

Machinery Directive 2006/42/EC

Electromagnetic Compatibility Directive 2014/30/EU

EC Directive 2011/65/EU and its amendment Directive (EU) 2015/863 (RoHS)

Noise Emission in the Environment by Equipment for Use Outdoors Directive 2000/14/EC amended by 2005/88/EC

Measured Sound Power Level: 96.95 dB(A) K=3 dB(A)

Declared Guaranteed Sound Power Level: 100 dB (A)

Standards and technical specification referred to:

EN 60335-1:2012+A11+A13+A1+A14+A2

EN 50636-2-100: 2014

EN 62233: 2008

EN 55014-1: 2017

EN 55014-2: 2015

EN 50581: 2012

Authorized Signatory

Date: 24.03.2020

Signature: _____

Place: Saint Cyr Sur Loire

Name: Rodolphe Dubois

General Manager

SUMEC France Sarl

59 bis Rue du Mûrier

37540 Saint Cyr Sur Loire, France

