

# **(EN) Assembly instructions**

**(DE) Montageanleitung**

**(FI) Kokoonpano-ohjeet**

**(HR) Skupština Upute**

**(FR) Notice de Montage**

**(IT) Istruzioni di Montaggio**

**(BS) Skupština Uputstvo**

**(NL) Montage Instructies**

**(CS) Montážní Návod**

**(RO) Instrucțiuni de Asamblare**

**(DA) Montagevejledning**

**(PL) Instrukcja Montażu**

**(RU) Инструкция по Монтажу**

**(SV) Monteringsanvisning**

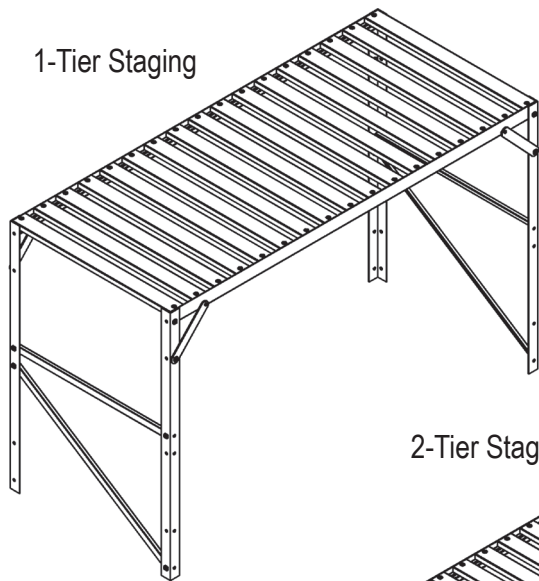
**(SL) Navodila za Montažo**

**(UK) Інструкція по монтажу**

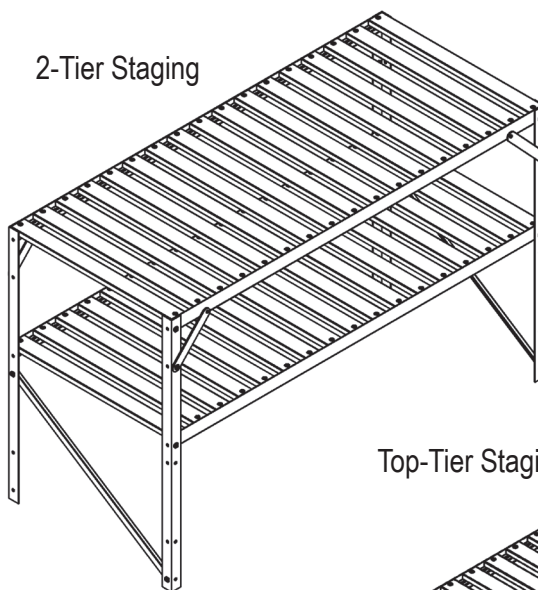
**(NO) Montasjeveiledning**

**(HU) Szerelési útmutató**

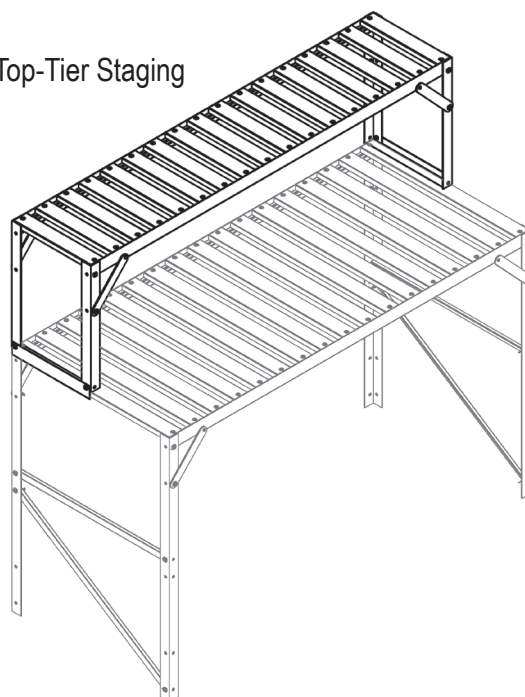
1-Tier Staging



2-Tier Staging

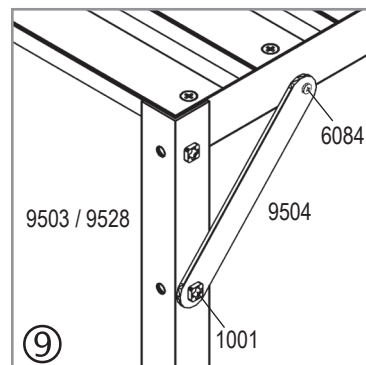
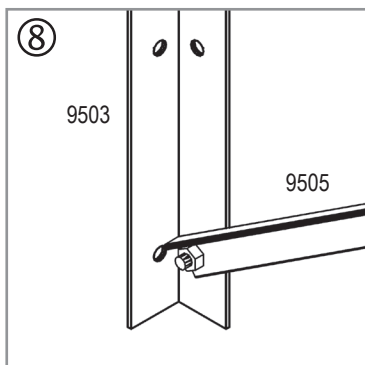
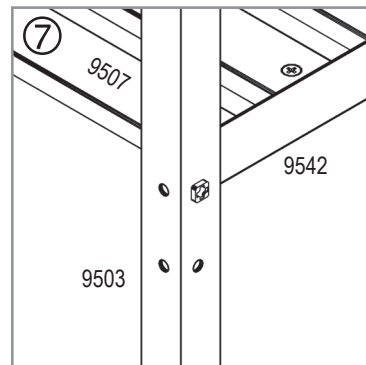
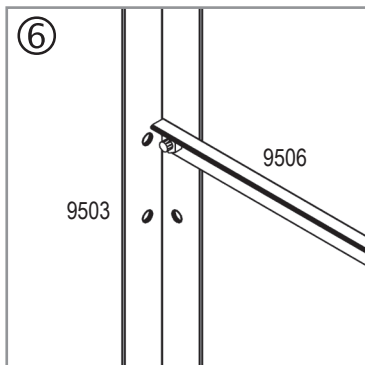
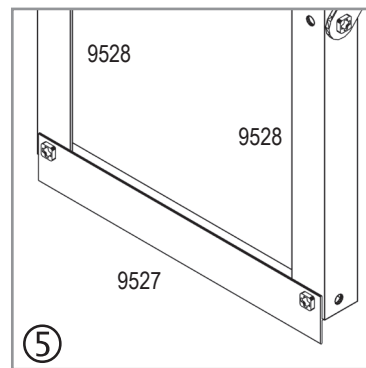
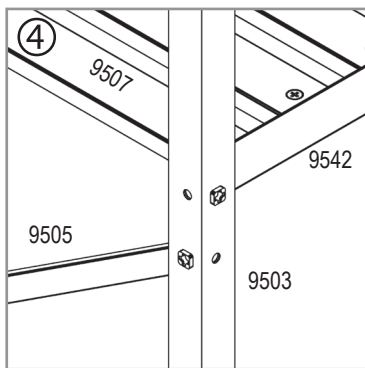
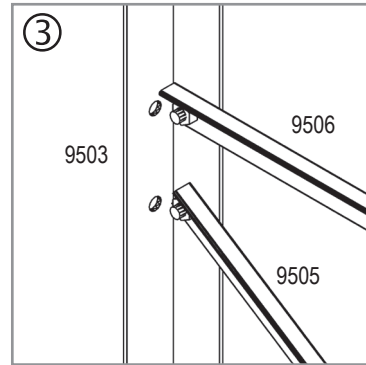
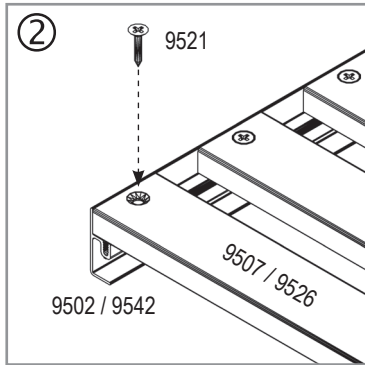
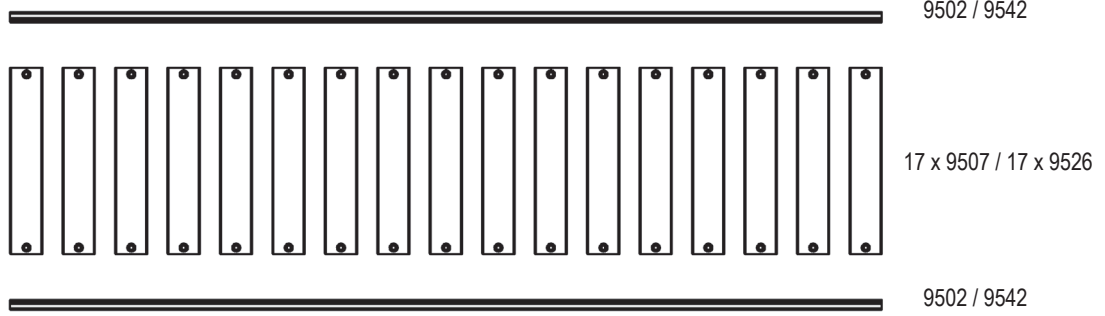


Top-Tier Staging

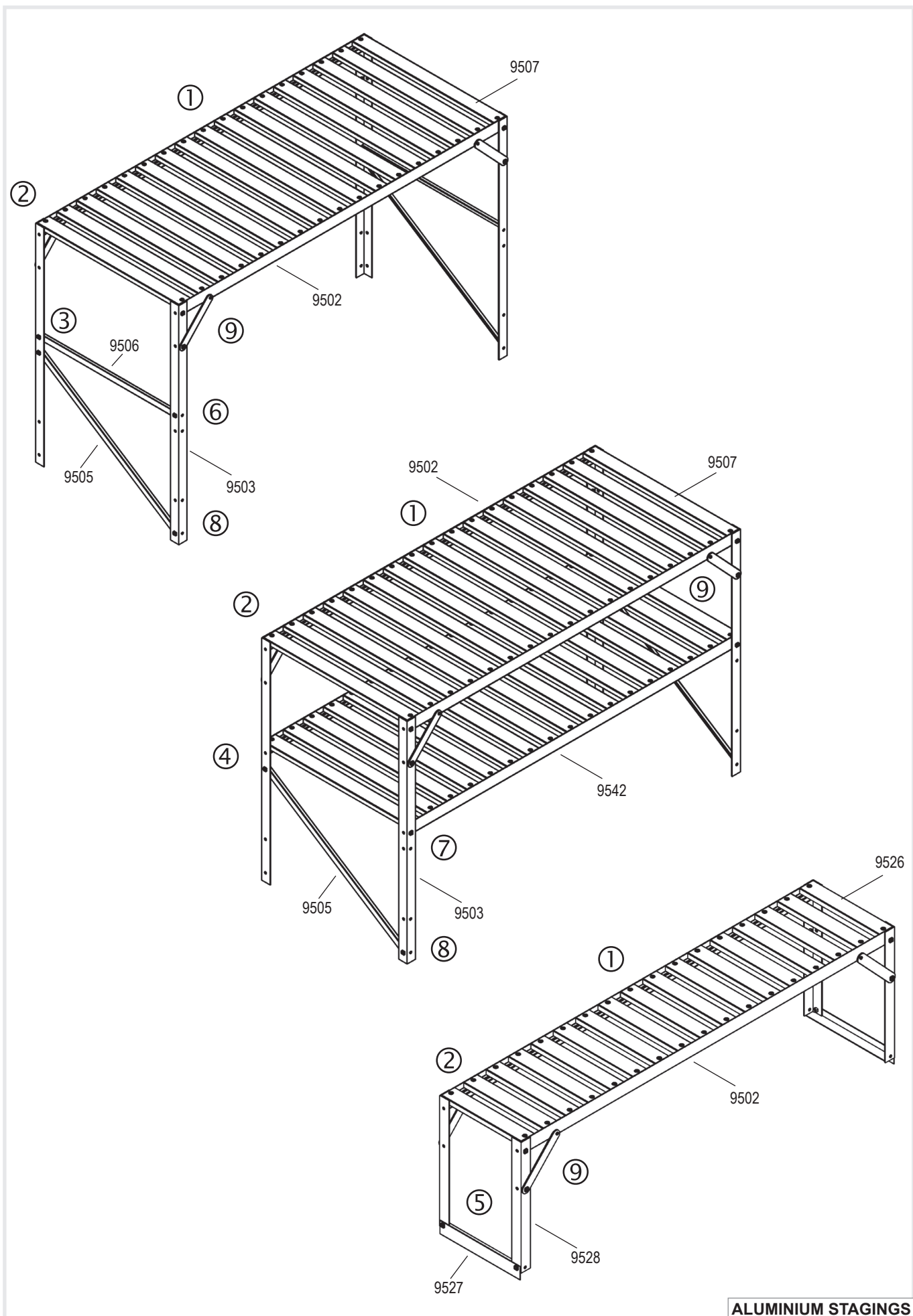


**Vitavia**  
– makes living grow

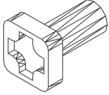
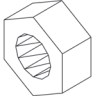
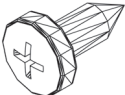

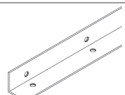


①


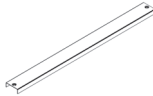
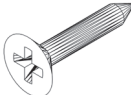


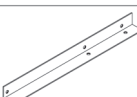



**ALUMINIUM STAGINGS**



**ALUMINIUM STAGINGS**

| Item No. | Part  | Size mm | Quantity |        |          |
|----------|---|---------|----------|--------|----------|
|          |   |         | 1 Tier   | 2 Tier | Top Tier |
| 1001     |  | M6 x 12 | 16       | 16     | 12       |
| 1002     |  | M6      | 16       | 16     | 12       |
| 6084     |  | 3.5 x 9 | 4        | 4      | 4        |
| 9502     |  | 1200    | 2        | 2      | 2        |
| 9503     |  | 760     | 4        | 4      | -        |
| 9504     |  | 165     | 4        | 4      | 4        |
| 9505     |  | 608     | 2        | 2      | -        |

| Item No. | Part   | Size mm  | Quantity |        |          |
|----------|--|----------|----------|--------|----------|
|          |  |          | 1 Tier   | 2 Tier | Top Tier |
| 9506     |  | 512      | 2        | -      | -        |
| 9507     |  | 518      | 17       | 34     | -        |
| 9521     |  | 3.5 x 22 | 34       | 68     | 34       |
| 9526     |  | 256      | -        | -      | 17       |
| 9527     |  | 258      | -        | -      | 2        |
| 9528     |  | 365      | -        | -      | 4        |
| 9542     |  | 1200     | -        | 2      | -        |



E.P.H. Schmidt u. Co. GmbH  
 Hoefkerstrasse 30  
 44149 Dortmund  
 Postfach 170163  
 44060 Dortmund  
 Deutschland  
 Tel.: +49 231 941655 0  
 Fax: +49 231 941655 99  
 www.eph-schmidt.de  
 verkauf@eph-schmidt.de

**Vitavia**  
 - makes living grow

OPJ A/S  
 Volderslevvej 36 A  
 Postboks 480  
 5260 Odense S  
 Danmark  
 Tel.: +45 66 15 10 30  
 Fax: +45 66 15 00 84  
 www.opj.dk  
 opj@opj.dk