

ADDITIONAL  
INFORMATION

[www.upmprofi.com](http://www.upmprofi.com)  
[www.upmprofi.de](http://www.upmprofi.de)  
[www.upmprofi.dk](http://www.upmprofi.dk)  
[www.upmprofi.fi](http://www.upmprofi.fi)  
[www.upmprofi.fr](http://www.upmprofi.fr)  
[www.upmprofi.es](http://www.upmprofi.es)  
[www.upmprofi.it](http://www.upmprofi.it)  
[www.upmprofi.nl](http://www.upmprofi.nl)  
[www.upmprofi.no](http://www.upmprofi.no)  
[www.upmprofi.se](http://www.upmprofi.se)

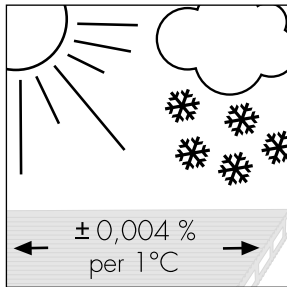
# UPM ProFi® Deck Range

UPM ProFi Deck 150, UPM ProFi Terra 127, UPM ProFi Patio 120

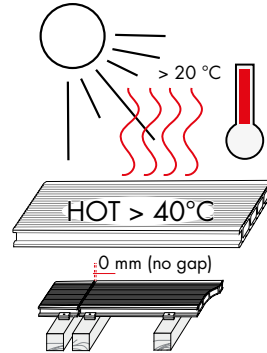
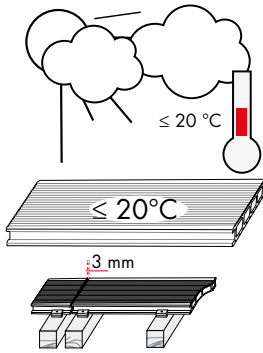
Installation Instructions/Verlegeanweisung/  
Instructions de montage/Installatie-instructies/Asennusohje/Installationsanvisningar



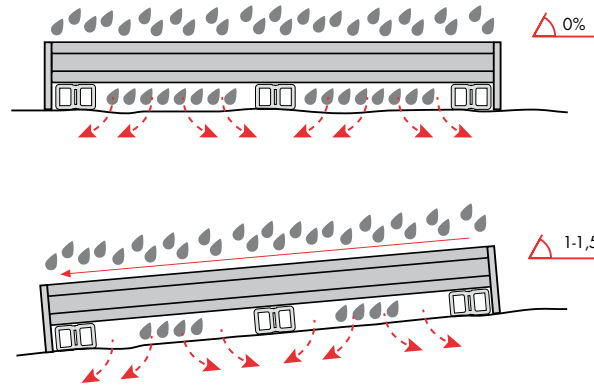
## THERMAL EXPANSION



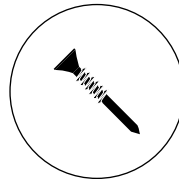
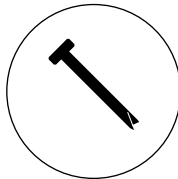
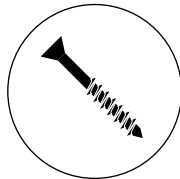
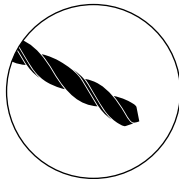
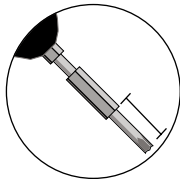
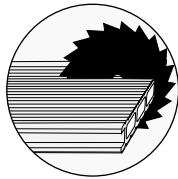
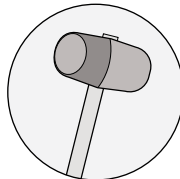
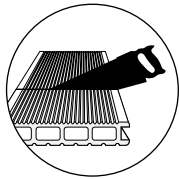
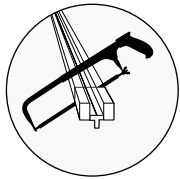
e.g. 40° C change in temperature = 4 mm expansion/contraction in 4 m board



## INCLINATION



## TOOLS



min. 25 mm

4 mm

4x40 mm

(for Alu Support Rail)

(for direct fixing on Alu Support Rail)



LOW MAINTENANCE



DURABLE & UV RESISTANT



HARD WEARING



0% INCLINATION

40%



SPLINTER FREE & WARM TO TOUCH



HIGH FRICTION SURFACE



QUICK TO INSTALL



EASY TO WORK



HELPING THE ENVIRONMENT

>50%

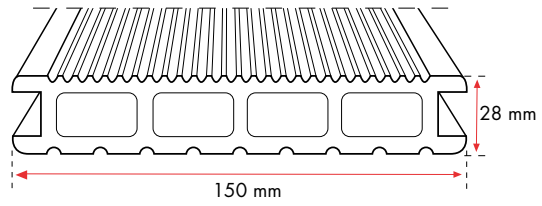


Advanced recycled raw material

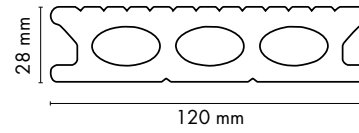


# MEASURES

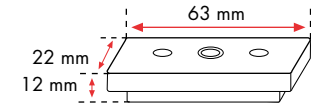
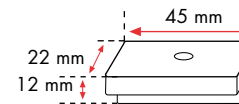
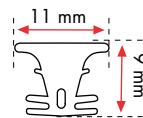
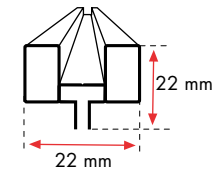
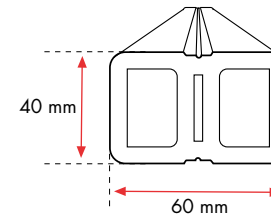
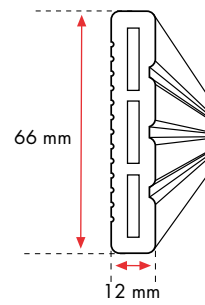
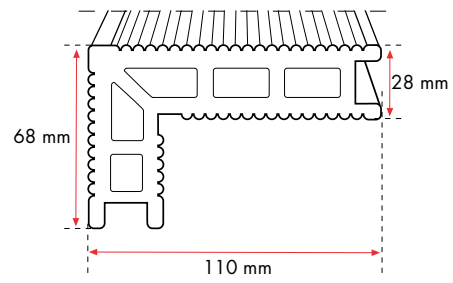
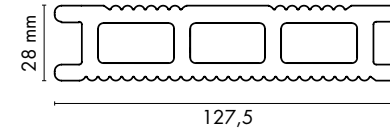
UPM ProFi Deck 150



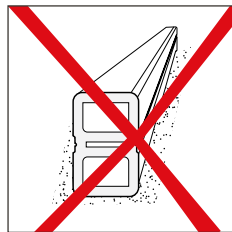
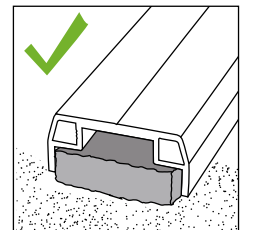
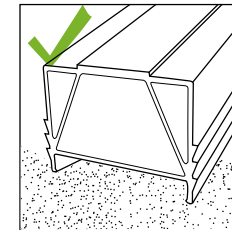
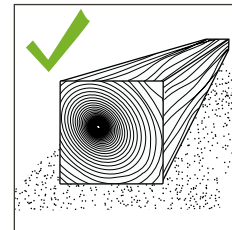
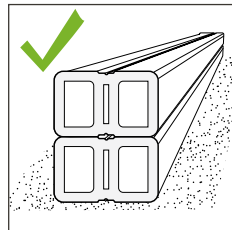
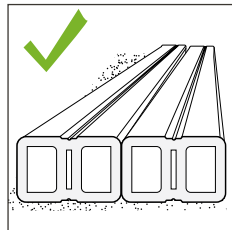
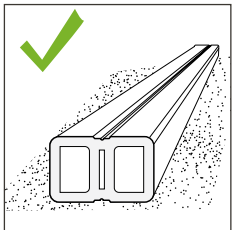
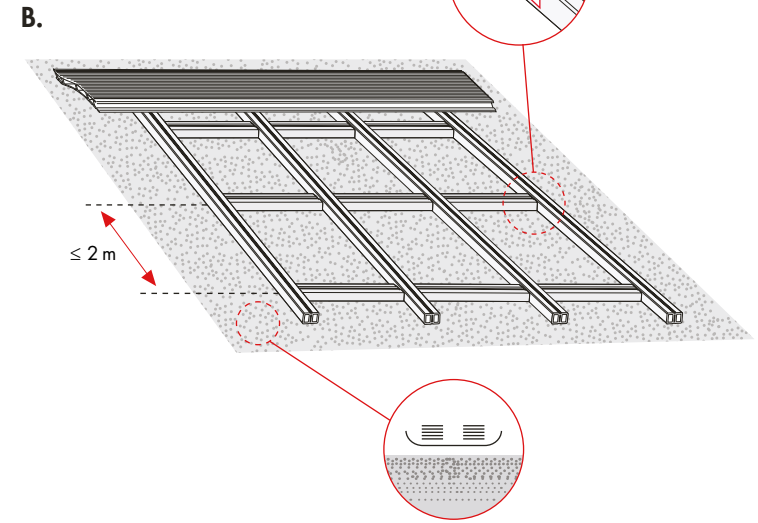
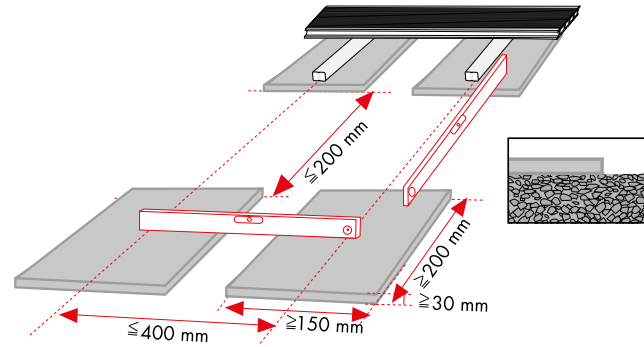
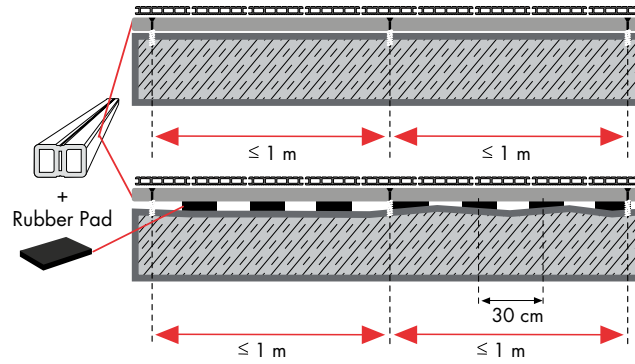
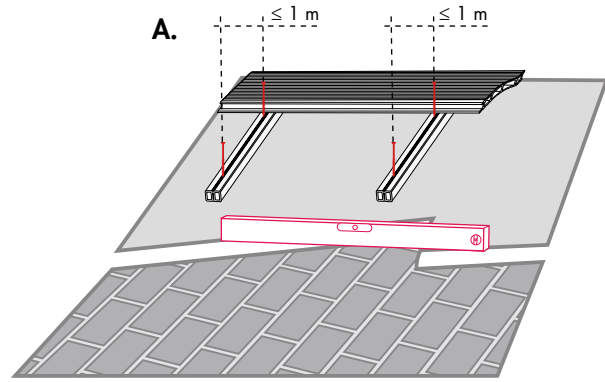
UPM ProFi Patio 120



UPM ProFi Terra 127



GROUND



Roof Terrace: **Ins**



**A****T-CLIPS****Scr**

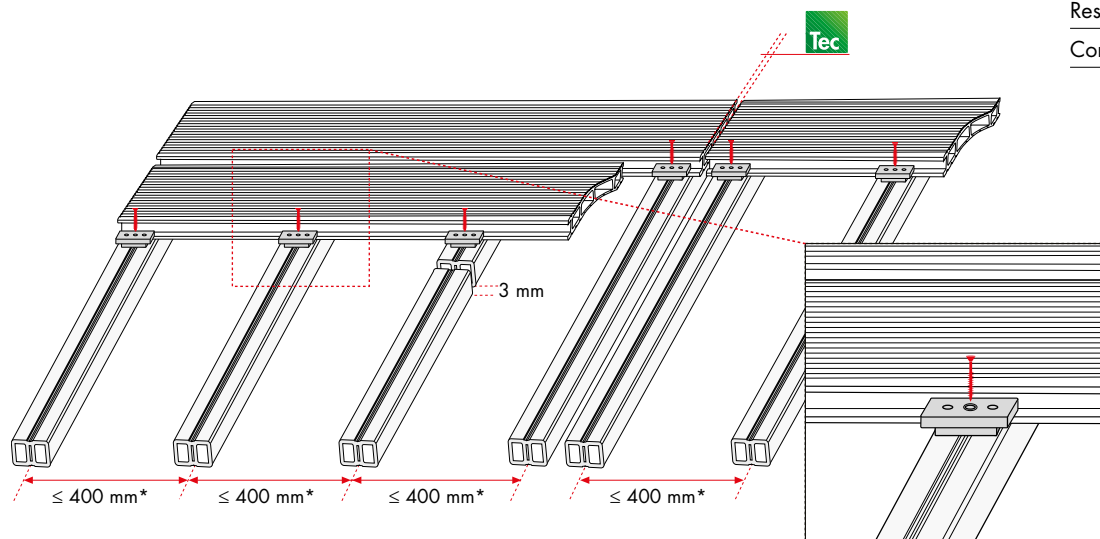
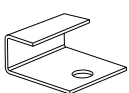
T-CLIP Small



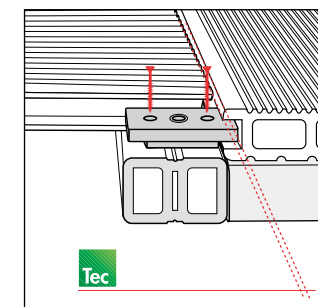
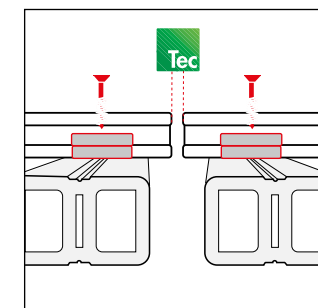
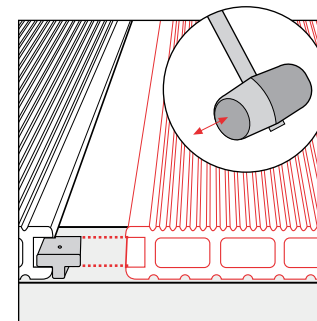
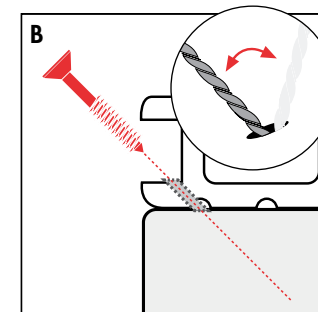
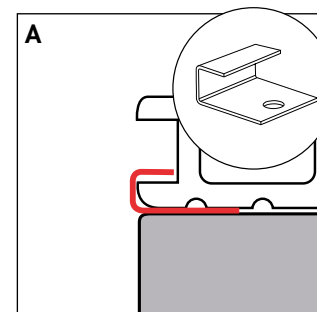
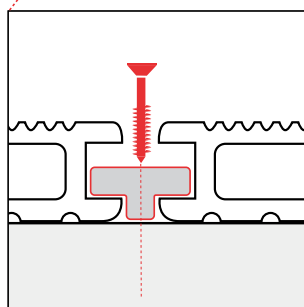
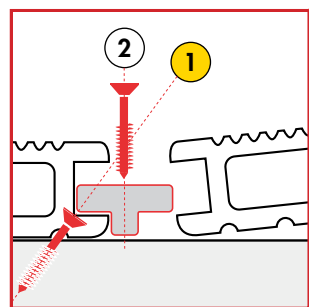
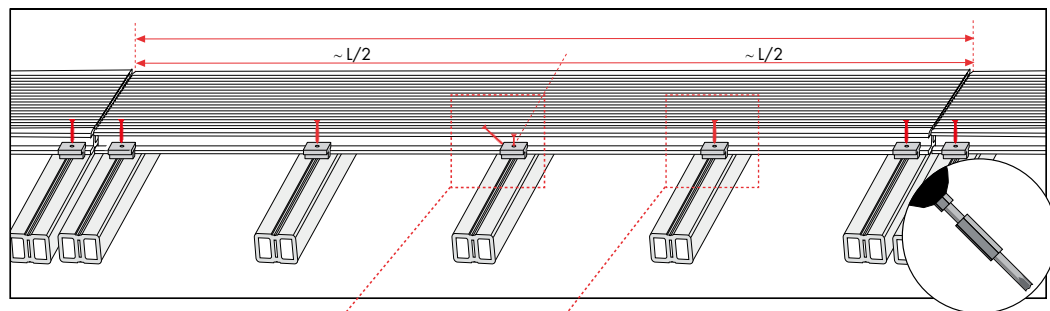
T-CLIP Large



START CLIP

**\*JOIST SPACING (a)**

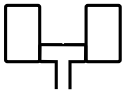
	ProFi Deck 150	Terra 127	Patio 120
Residential	40 cm	35 cm	35 cm
Commercial	40 cm	-	30 cm

**1** 1x in the middle of each board

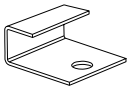
B

Scr

ALU RAIL



START CLIP

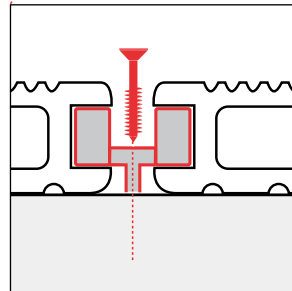
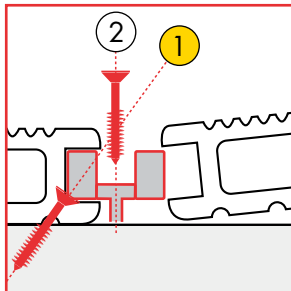
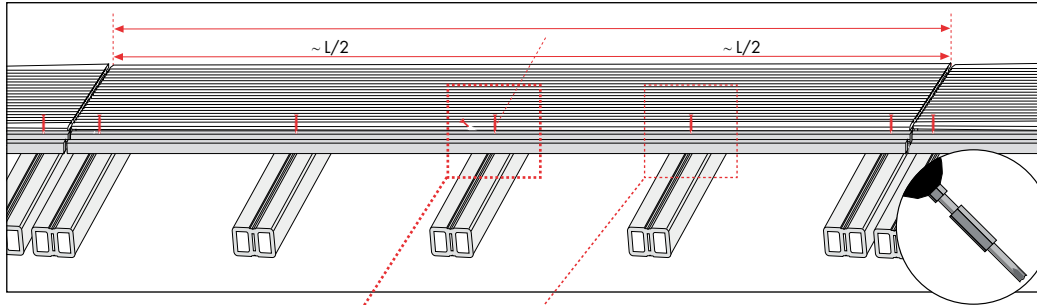
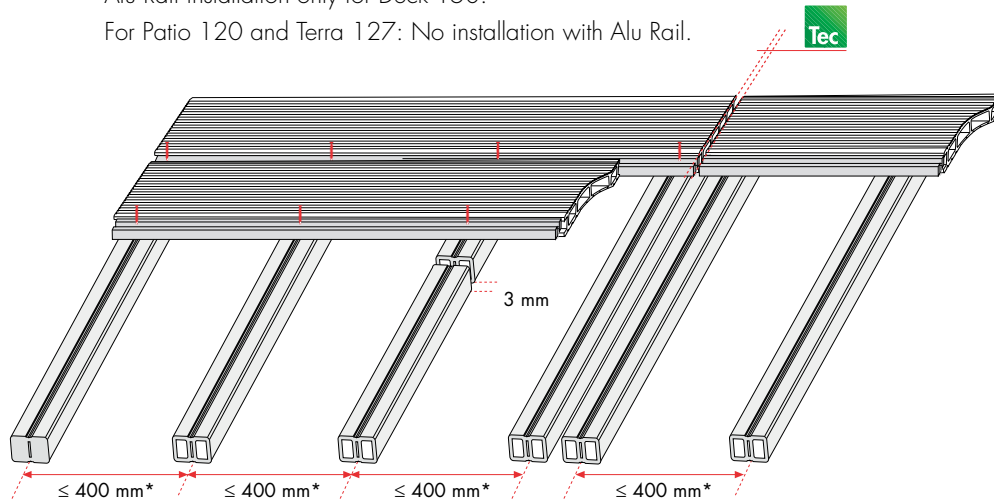


### ALU RAIL

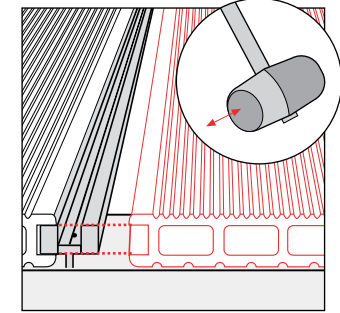
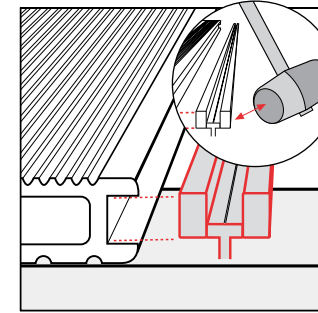
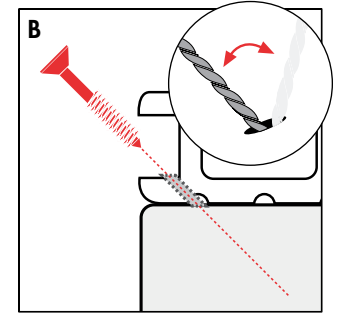
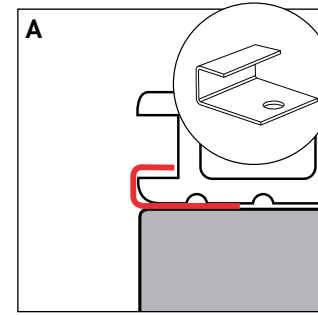
#### Hint:

Alu Rail installation only for Deck 150.

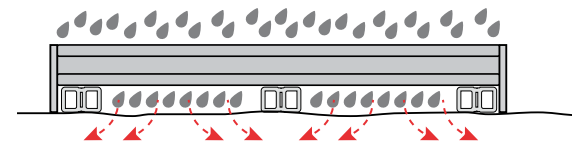
For Patio 120 and Terra 127: No installation with Alu Rail.



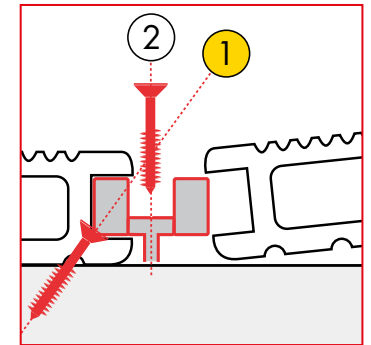
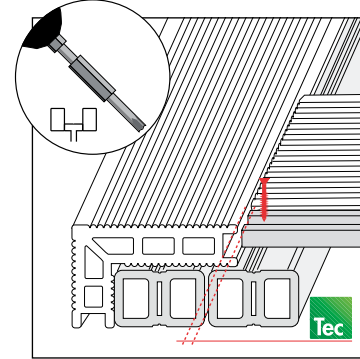
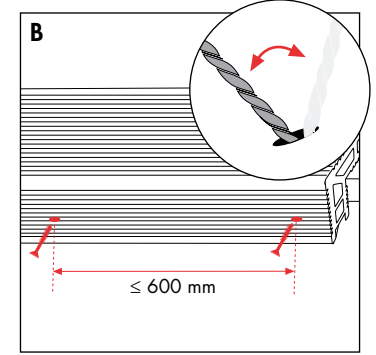
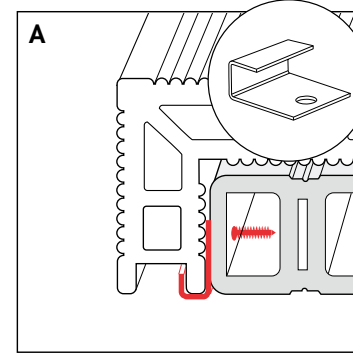
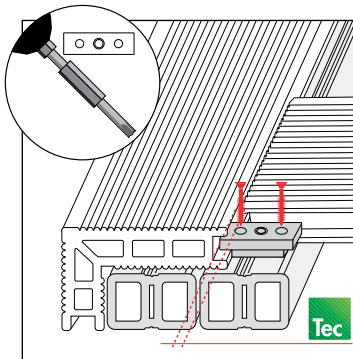
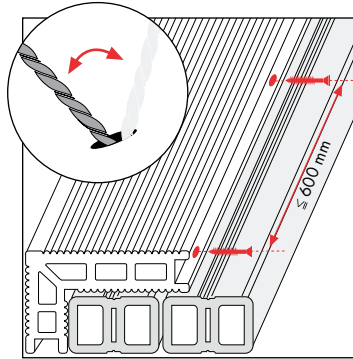
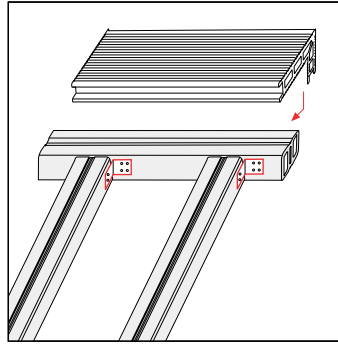
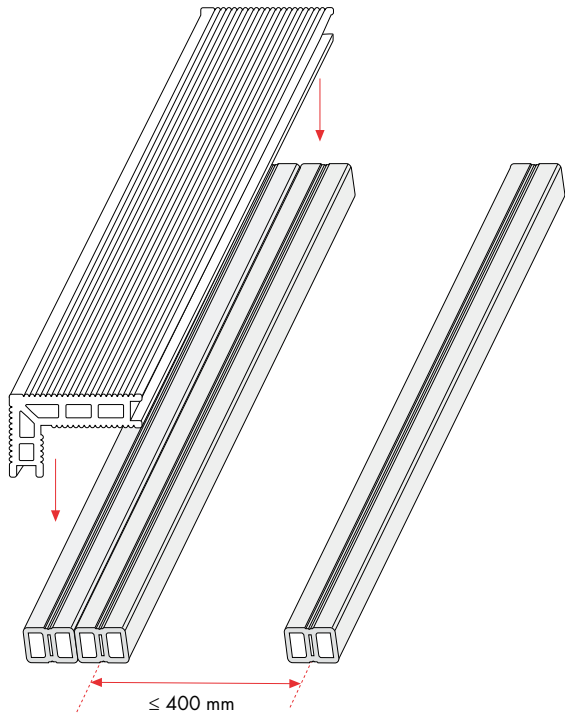
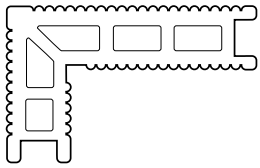
**!** 1x in the middle of each board



### VENTILATION



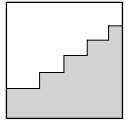
FINISHING UPM PROFI RAIL STEP



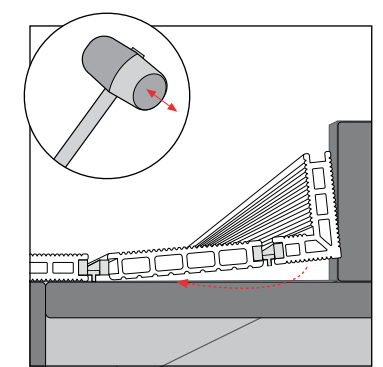
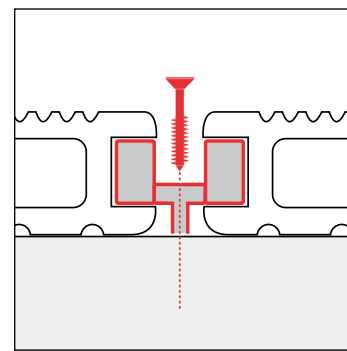
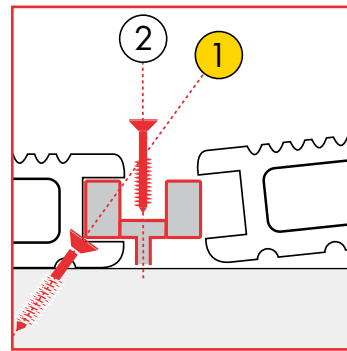
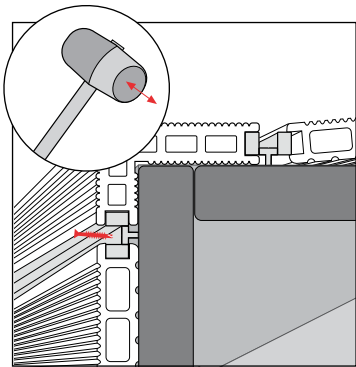
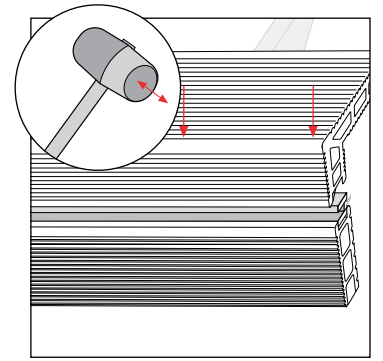
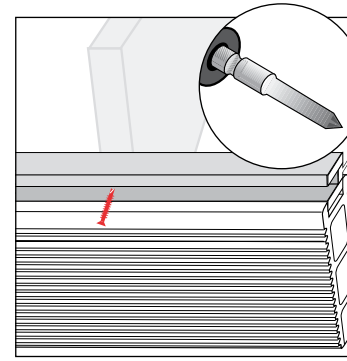
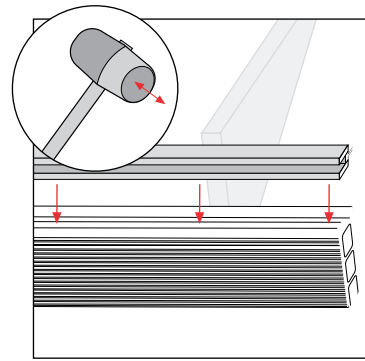
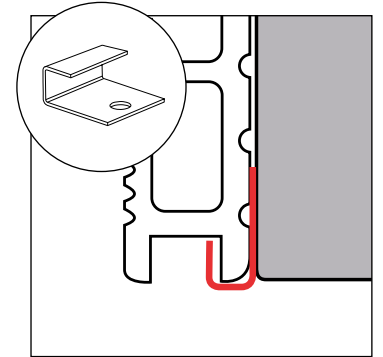
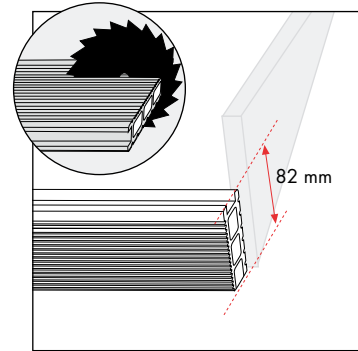
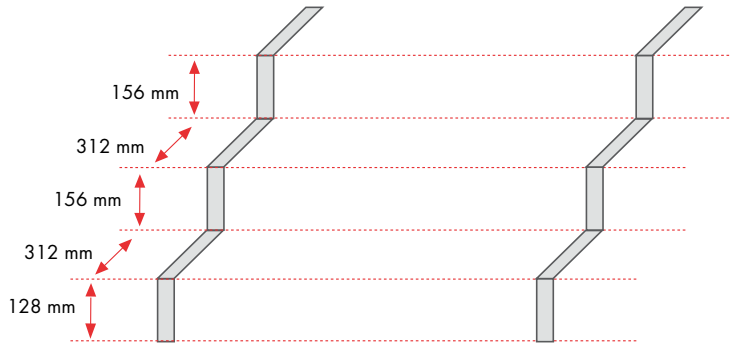
**!** 1x in the middle of each Rail Step



UPM PROFI DECK 150  
STAIRS



Scr

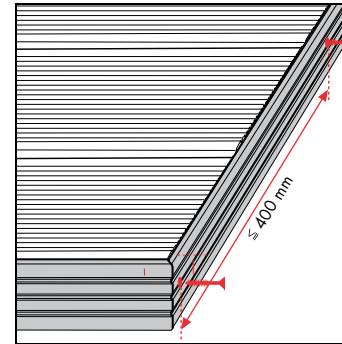
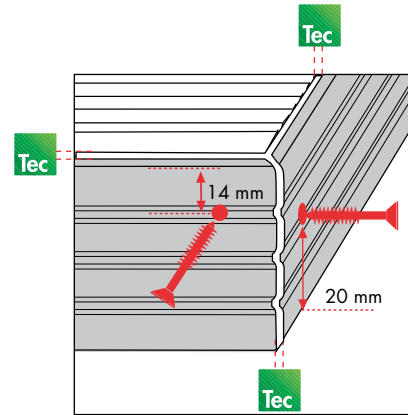
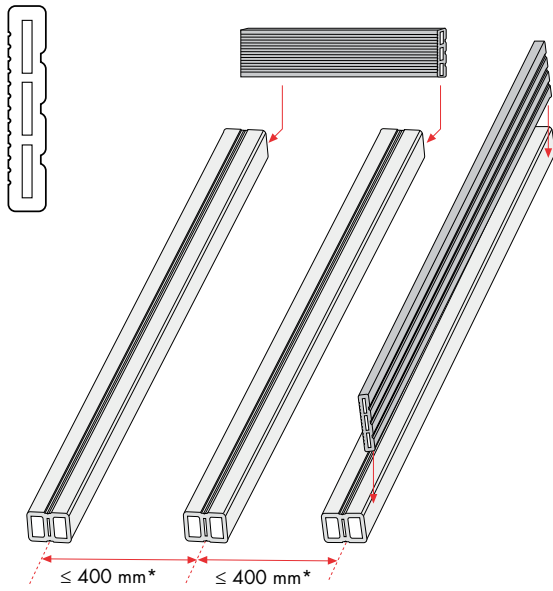


! 1 1x in the middle of each board

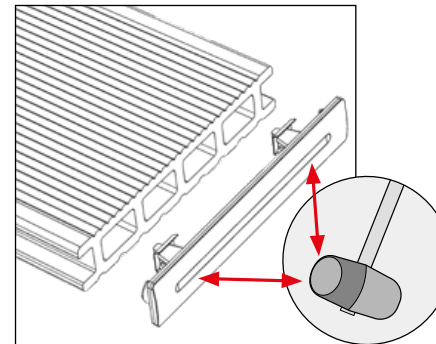




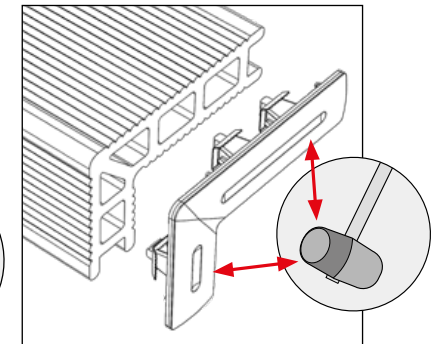
FINISHING  
COVER STRIP



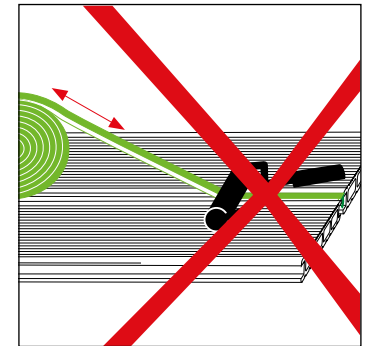
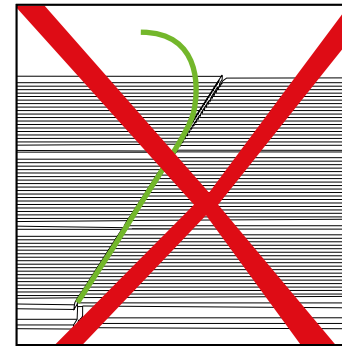
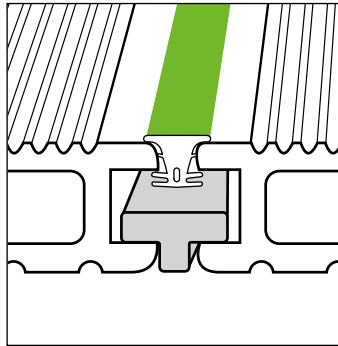
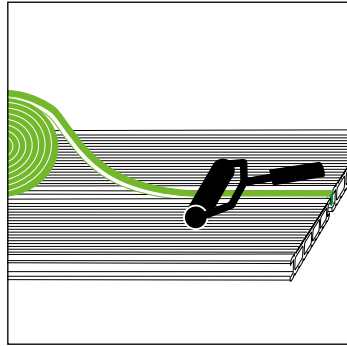
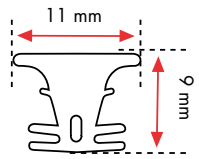
UPM PROFI DECK 150  
END CAP



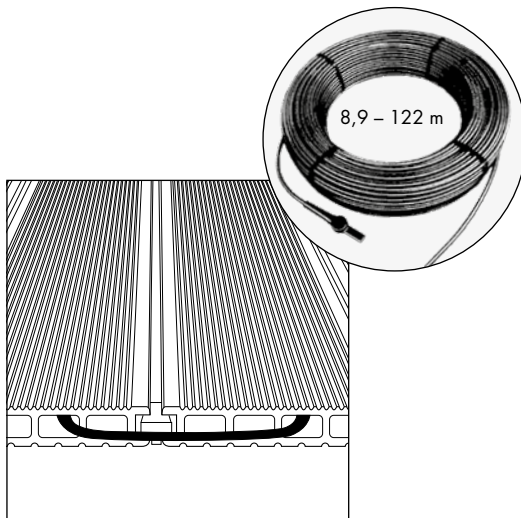
UPM PROFI DECK 150  
RAIL STEP END CAP



## RUBBER STRIP



## UPM PROFI DECK 150 HEATING CABLE



UPM Kymmene Corporation reserves the right to change and amend the information contained in this brochure at any time. The information contained in this document was correct at time of publication. For the most update version, please visit [www.upmprofi.com](http://www.upmprofi.com)