

GleitFix[®] GF

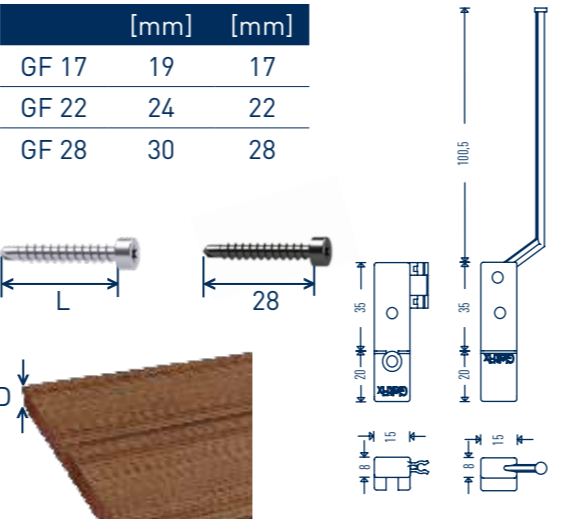



BohrFix[®] FB



SIHGAFIX[®]

Typ	D [mm]	L [mm]
GF 17	19	17
GF 22	24	22
GF 28	30	28



GleitFix[®] AE

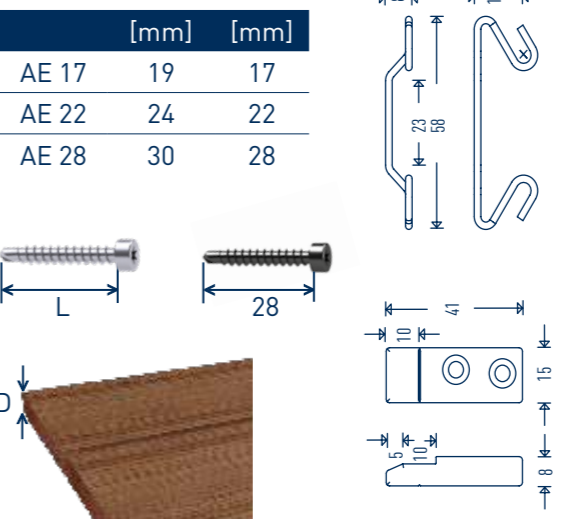



BohrFix[®] FB



SIHGAFIX[®]

TYP	D [mm]	L [mm]
AE 17	19	17
AE 22	24	22
AE 28	30	28




www.sihga.com



TerrassenFix[®] Zwinde III



FugiFix[®] FF

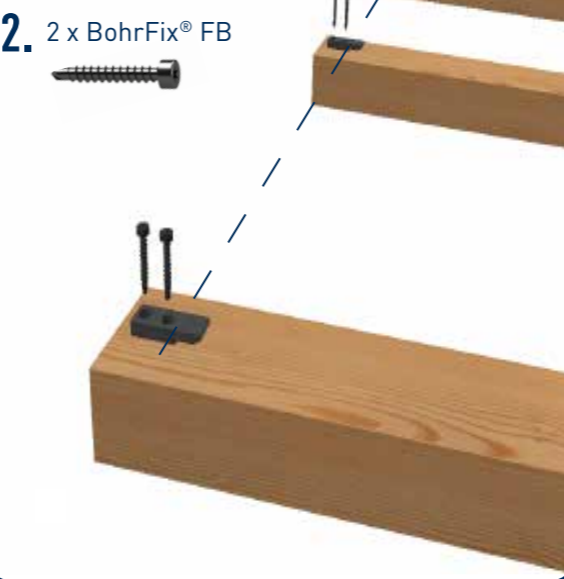
1.




350 mm

www.sihga.com
www.osmo.de

2. 2 x BohrFix[®] FB



3. BohrFix[®] FB

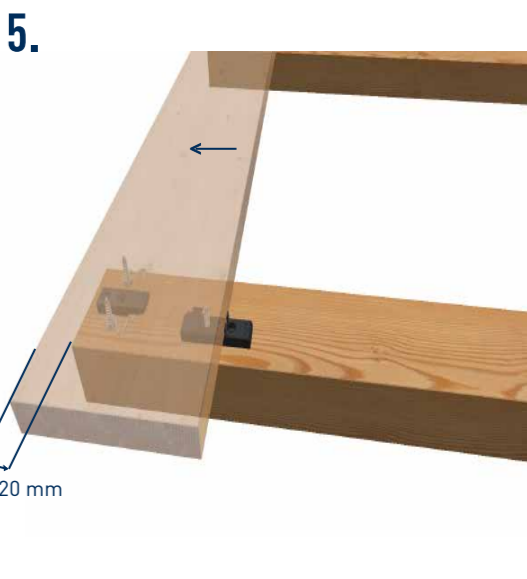


50 - 100 mm

4. 2 x BohrFix[®] FB



5.



≤ 20 mm

