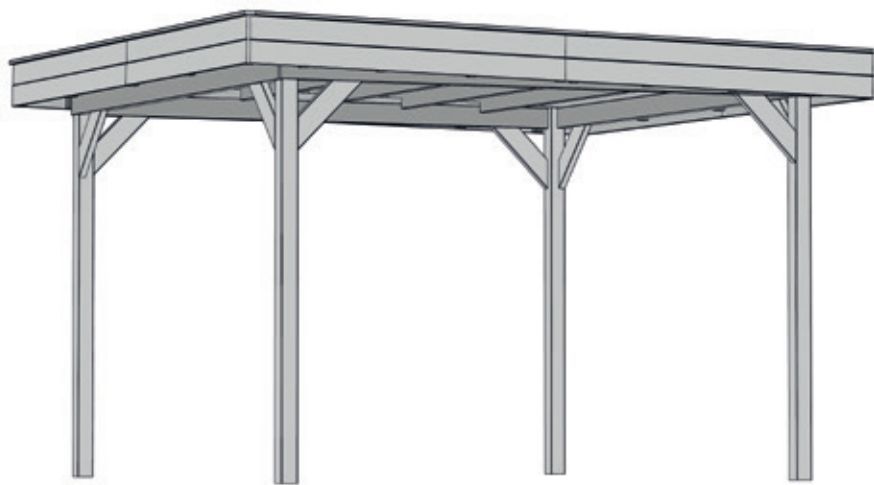
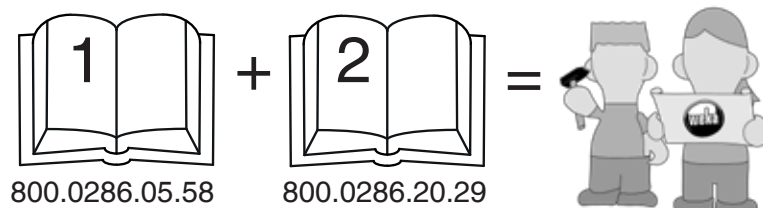


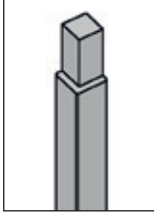
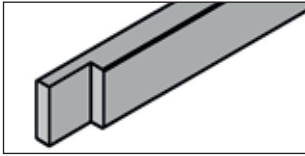
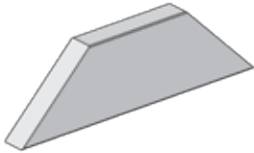
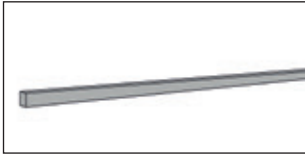
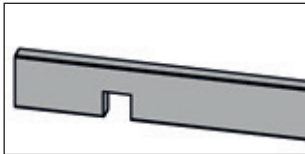
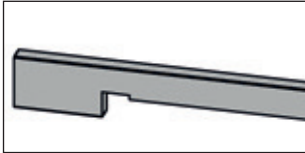
Flachdach - Gartenlaube

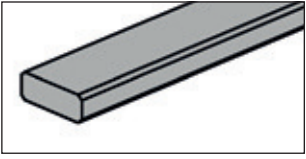
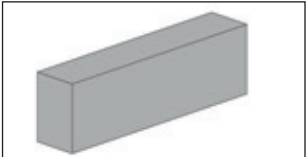
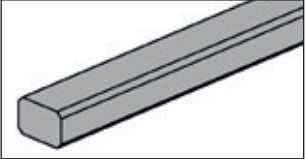








657.3535.00.01

Montage-, Bedienungs- und Wartungsanleitung

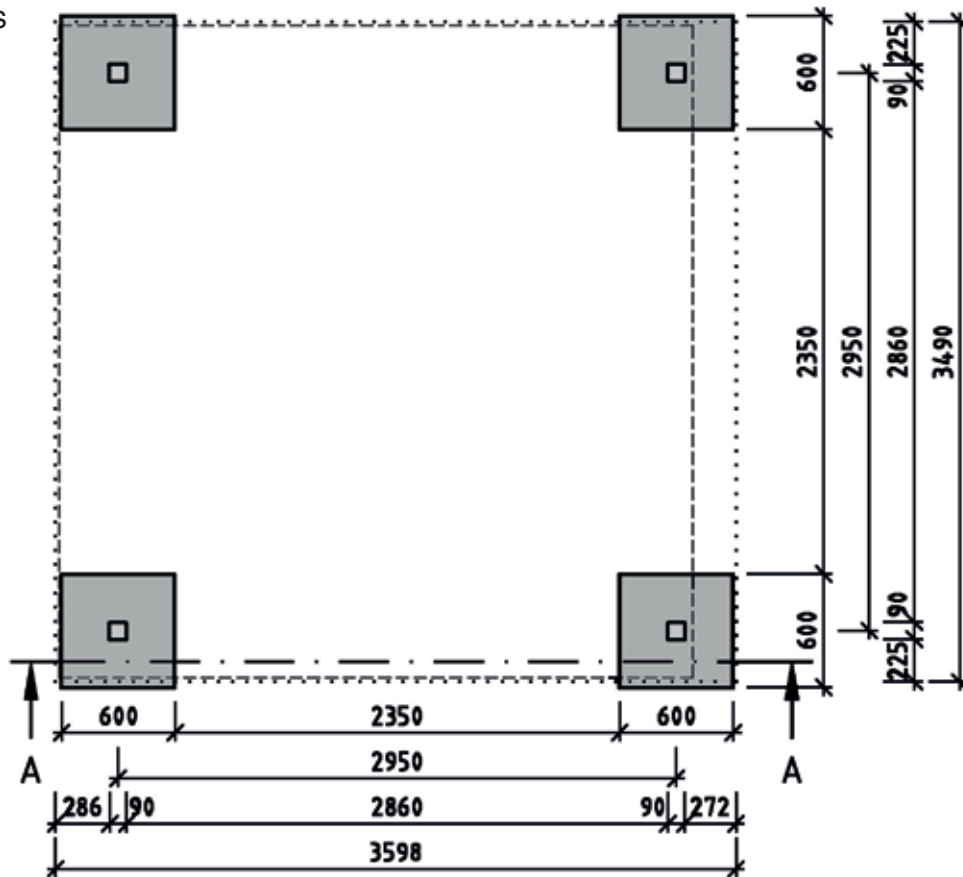


| Pos | Bild | Abmessung (mm) | Anzahl (Stück) |
|-----|---|---------------------|------------------|
| | | | 657.3535.00.01 |
| ① | G651.02.0006  | 90/90/2150 | 4 |
| ② | G651.01.0025  | 60/120/3030 | 4 |
| ③ | G651.02.0002  | 40/120/500 | 8 |
| ④ | G657.01.0010  | 60/70/3060 | 2 |
| ⑤ | G657.01.0009  | 40/120/3450 | 6 |
| ⑥ | G657.01.0011  | 40/120/3450 | 1 |
| ⑦ | R002.0091.3344  | 15,5/96/3344 | 39 |

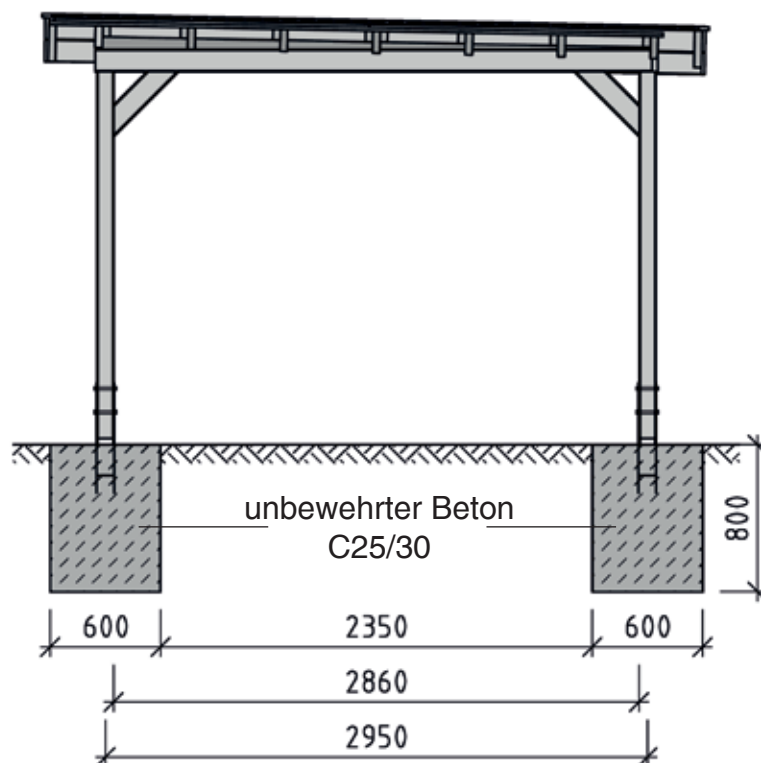
| Pos | Bild | Abmessung (mm) | Anzahl (Stück) |
|-----|---|---------------------|------------------|
| | | | 657.3535.00.01 |
| 8 | G671.01.0026  | 20/120/1810 | 16 |
| 9 | G651.01.0113  | 20/55/1855 | 8 |
| 10 | G607.01.0010  | 40/60/200 | 26 |
| 11 | G607.01.0012  | 20/30/1000 | 3 |

| Pos | Bild | Abmessung (mm) | Anzahl (Stück) |
|------------|--|-----------------------------|-----------------------------|
| M1 | K001.3035.0004  | 3,5 x 30 | 20 |
| M2 | K001.4040.0004  | 4,0 x 40 | 170 |
| M3 | K001.8050.0004  | 5,0 x 80 | 80 |
| M4 | K001.1250.0004  | 5,0 x 120 | 40 |
| M5 | K002.3550.0004  | 5,0 x 35 | 48 |
| M6 | K010.5022.0001  | 2,2 x 55 | 600 |

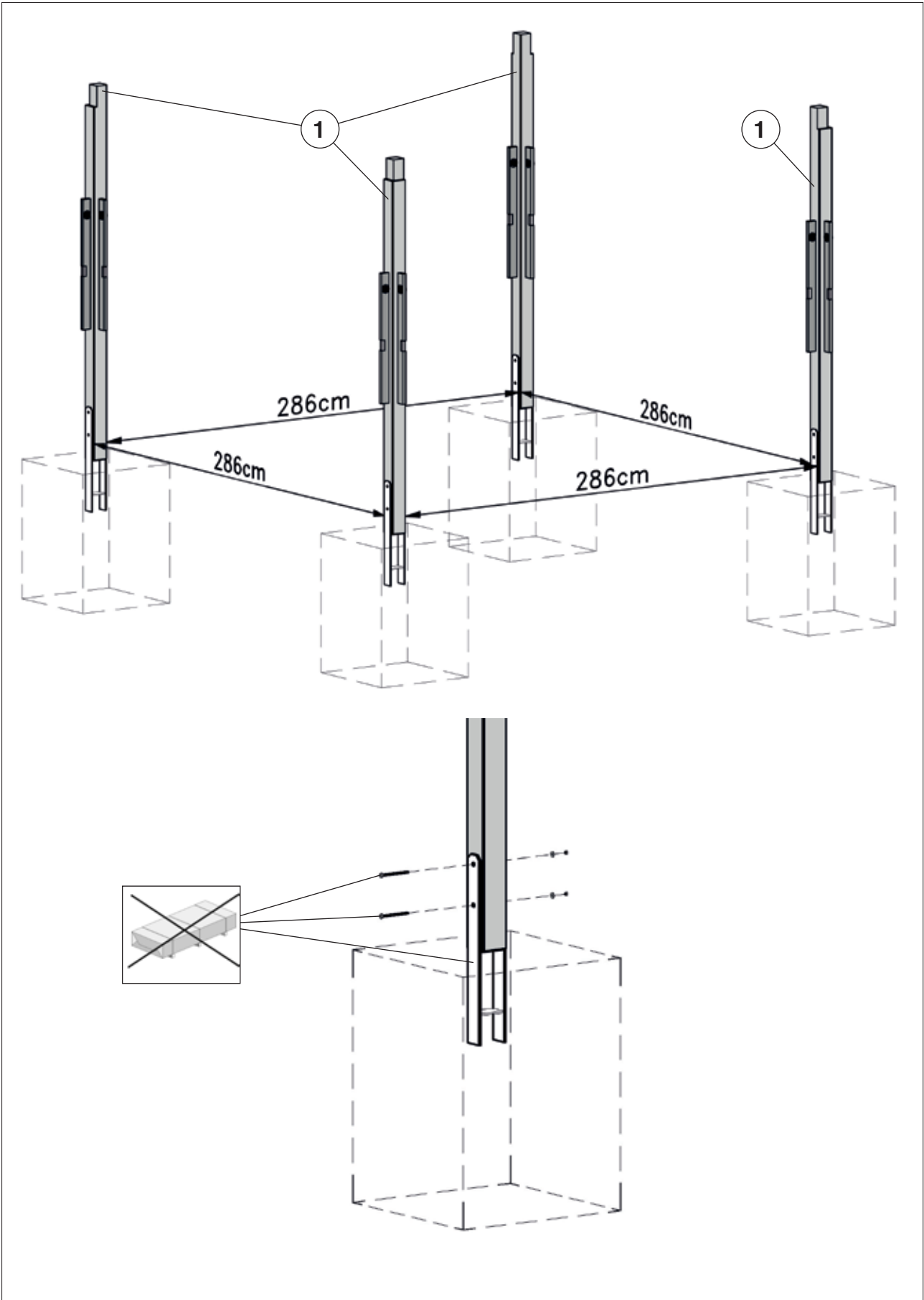
Grundriss



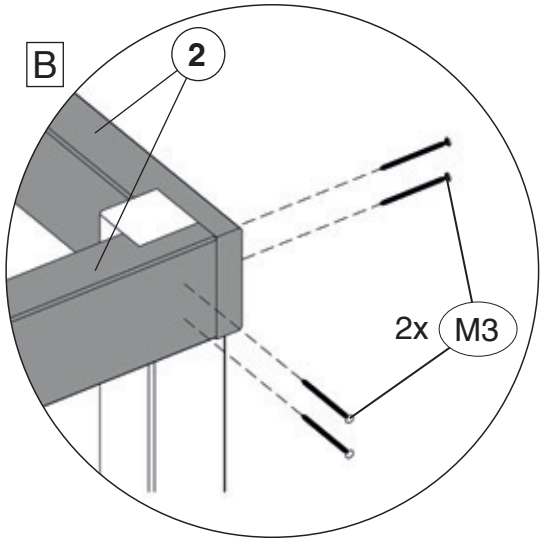
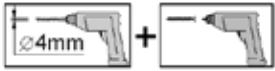
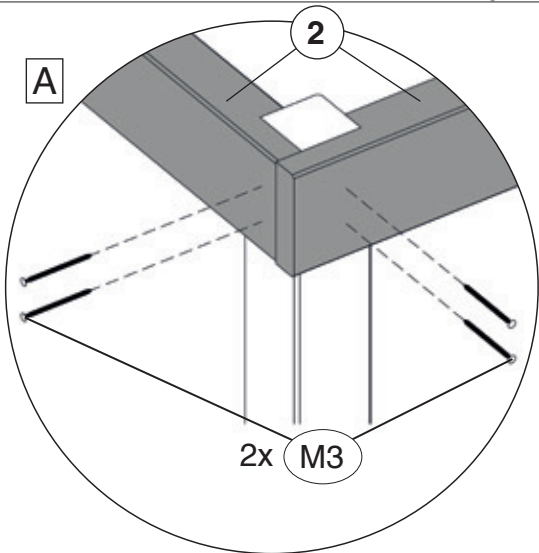
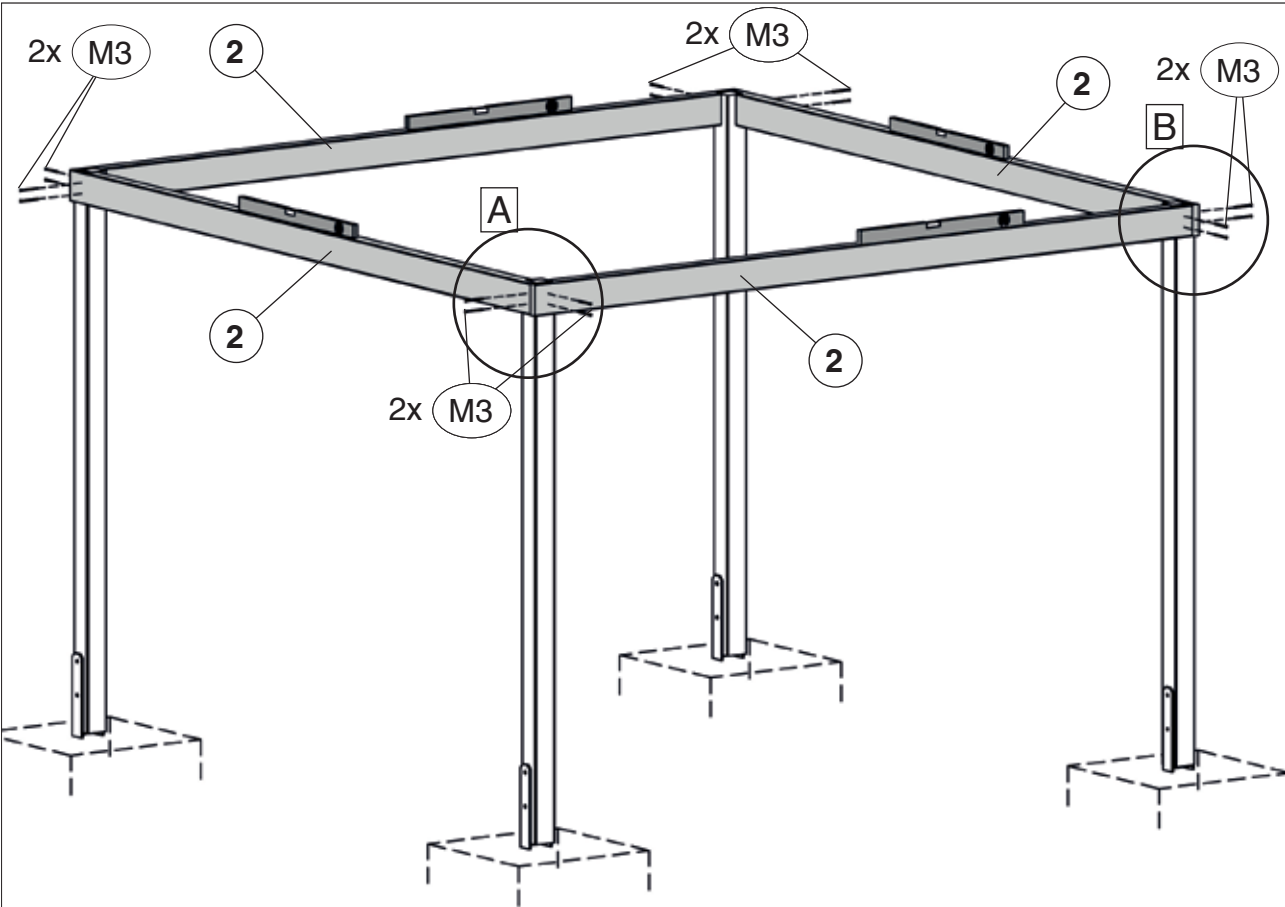
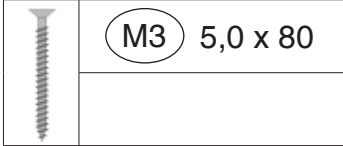
Schnitt A-A




1

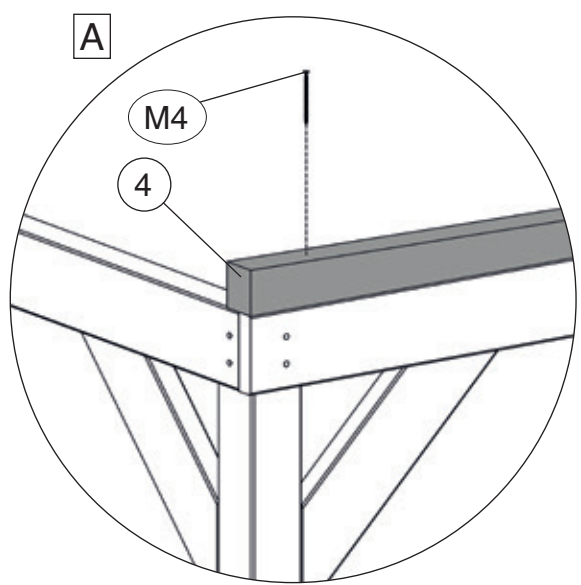
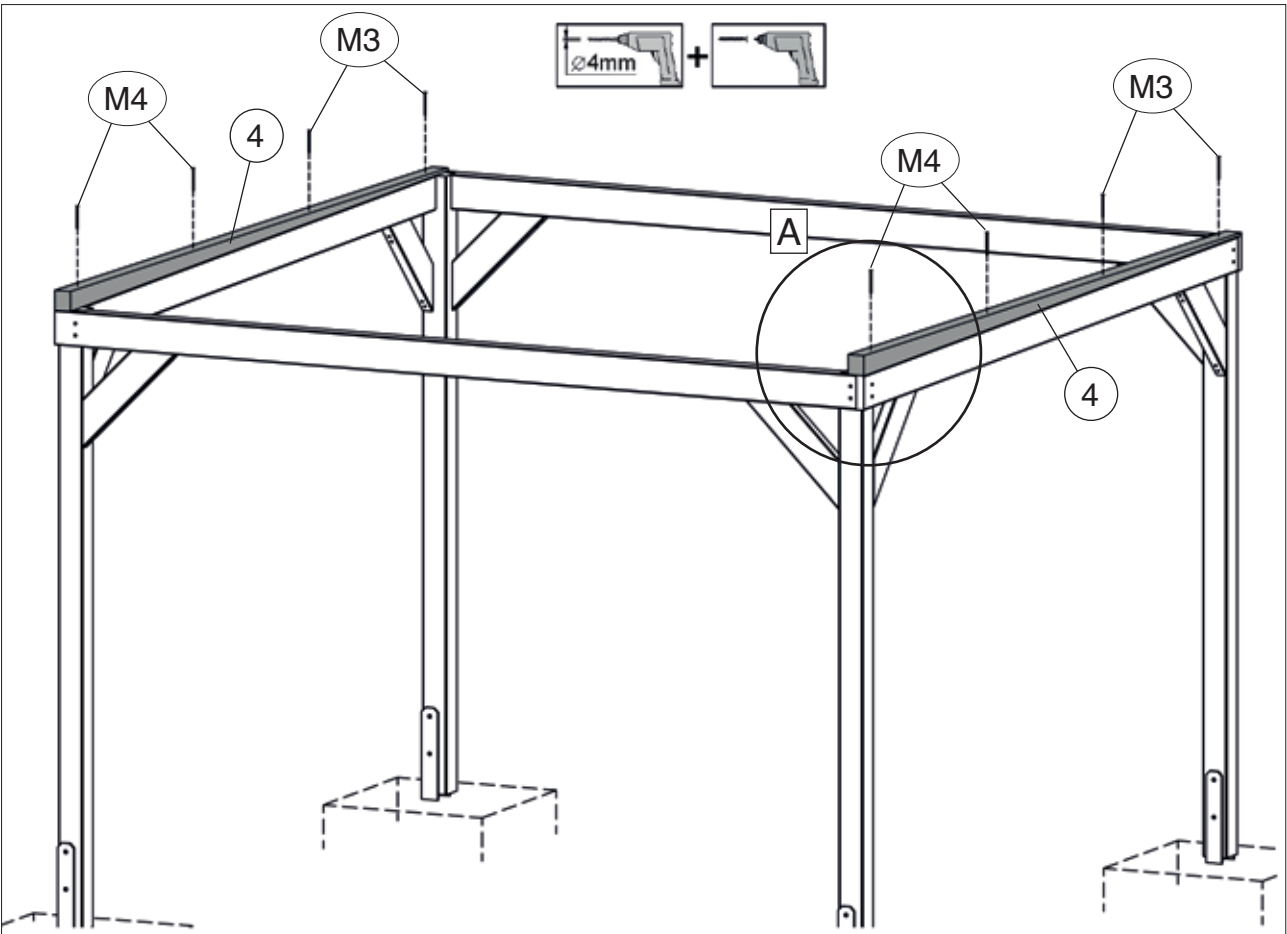


2



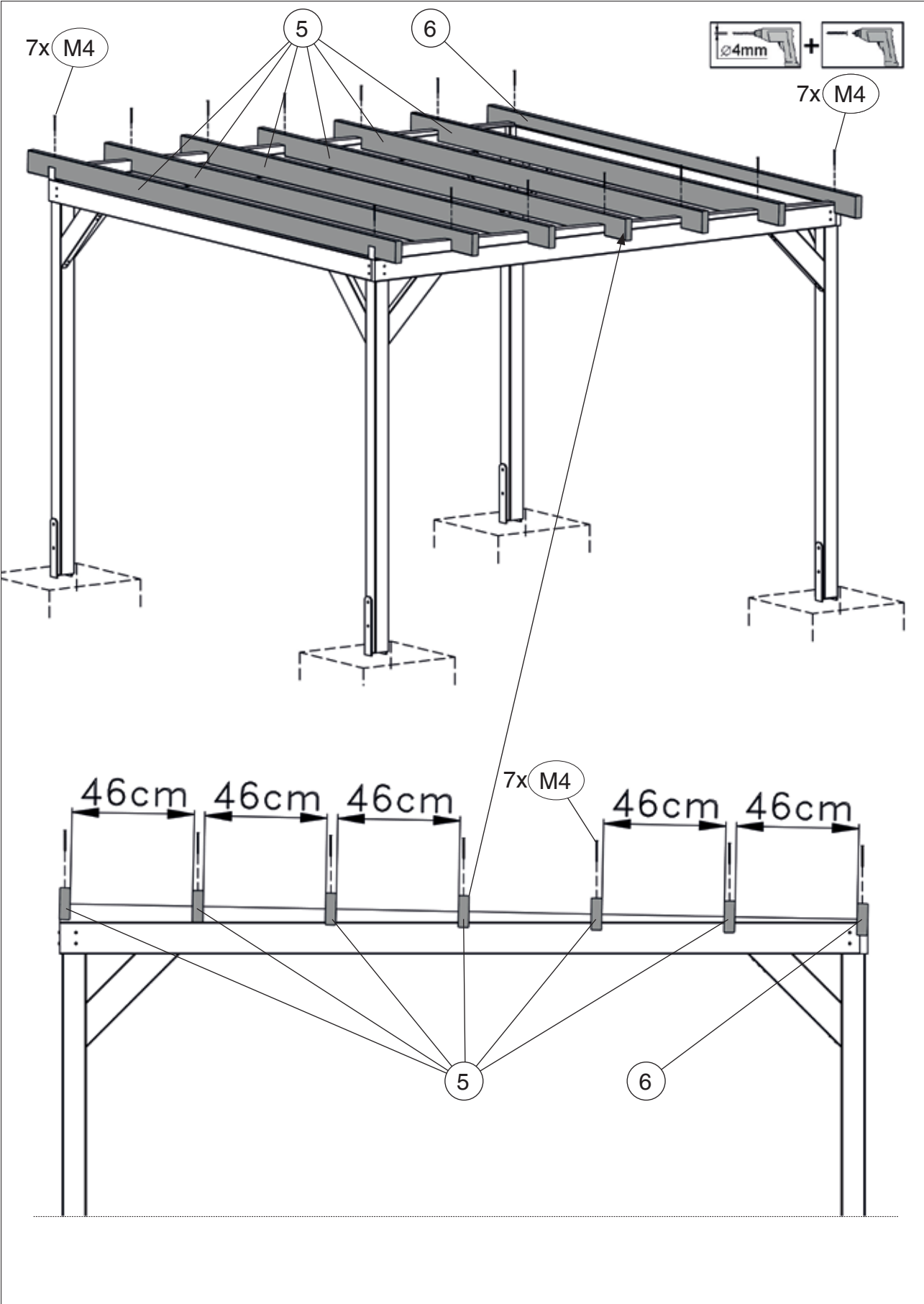
4

| | |
|---|--------------|
|  | M3 5,0 x 80 |
| | M4 5,0 x 120 |

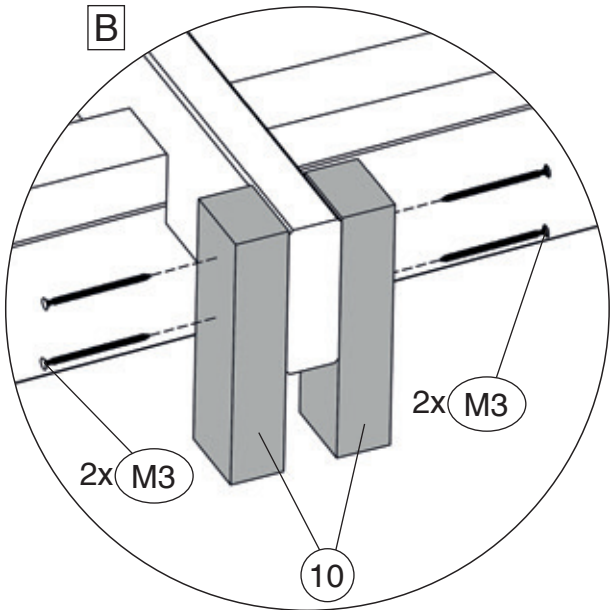
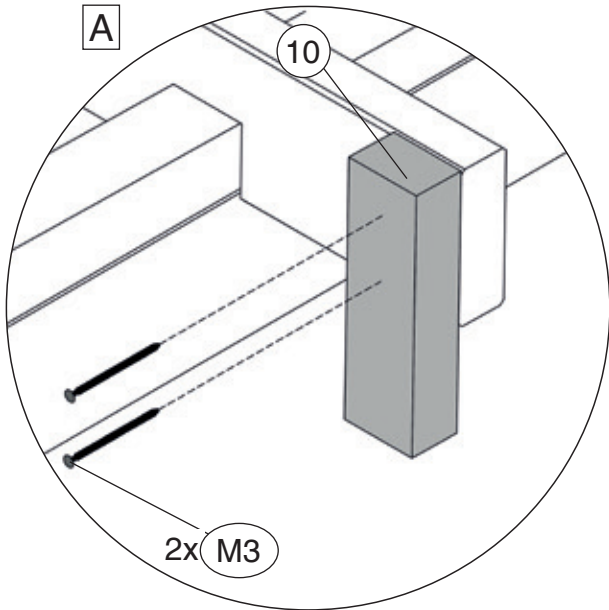
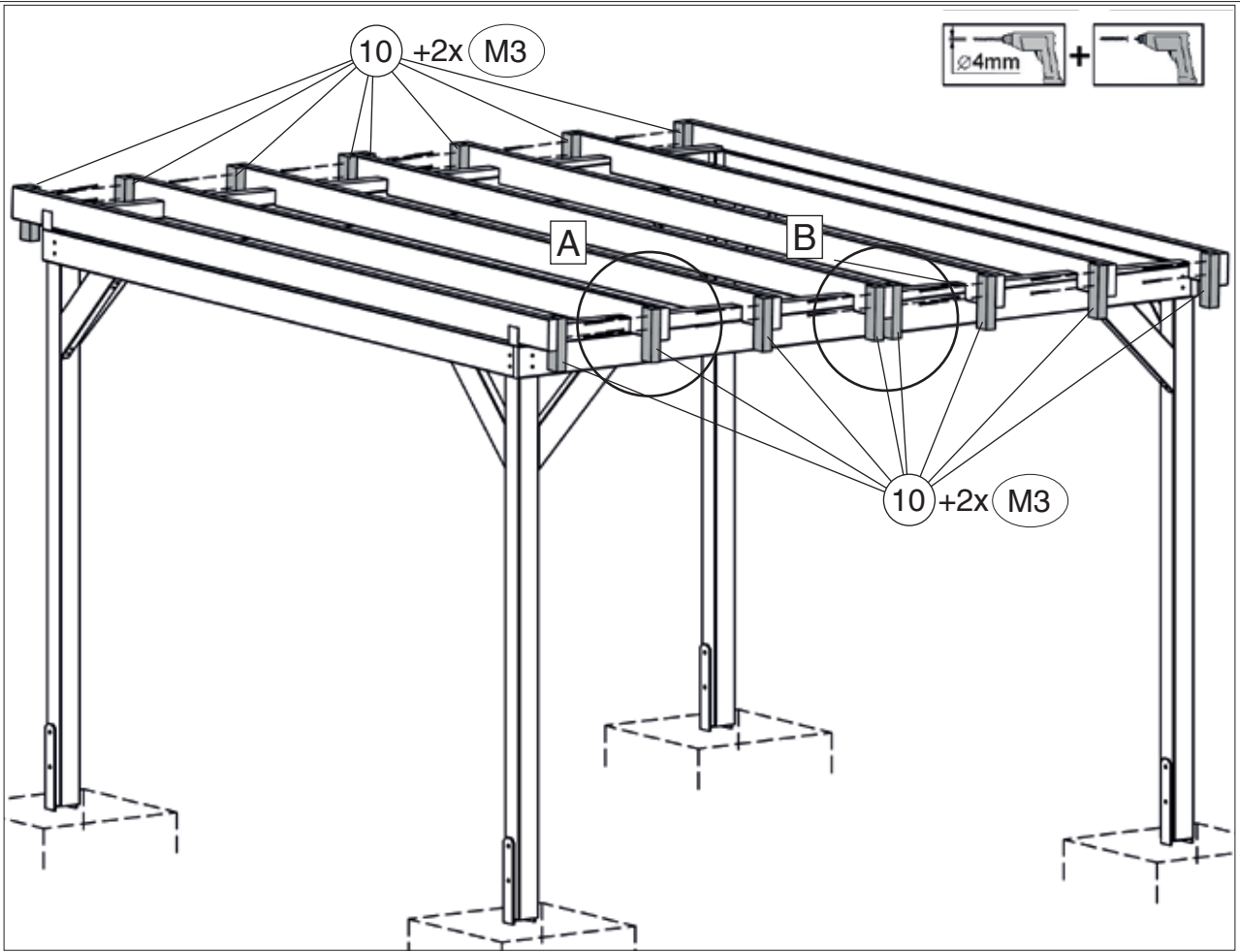
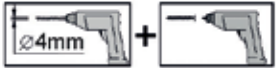
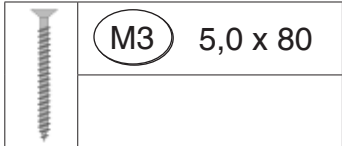


5


| | |
|---|--------------|
|  | |
| | M4 5,0 x 120 |

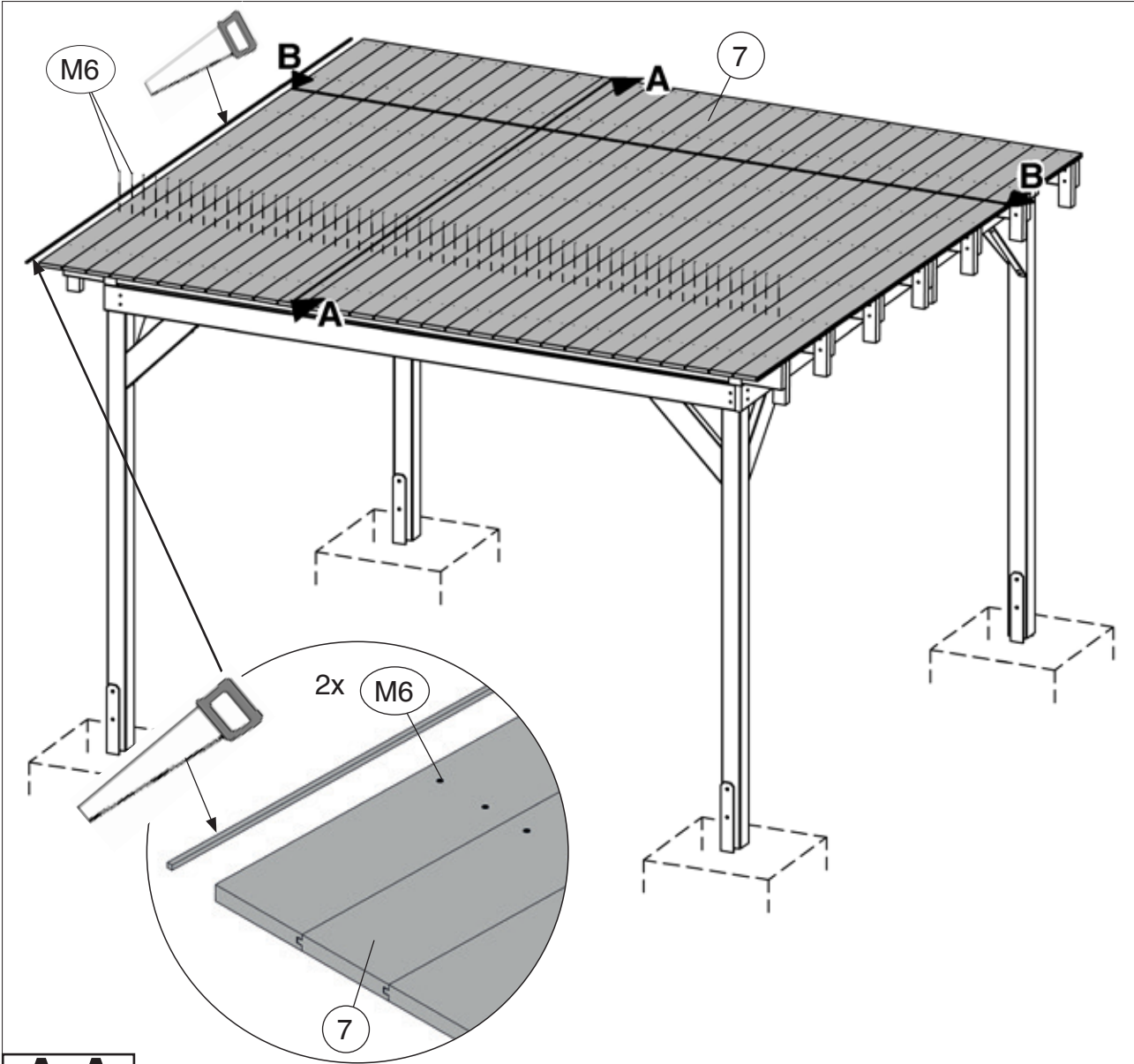


6

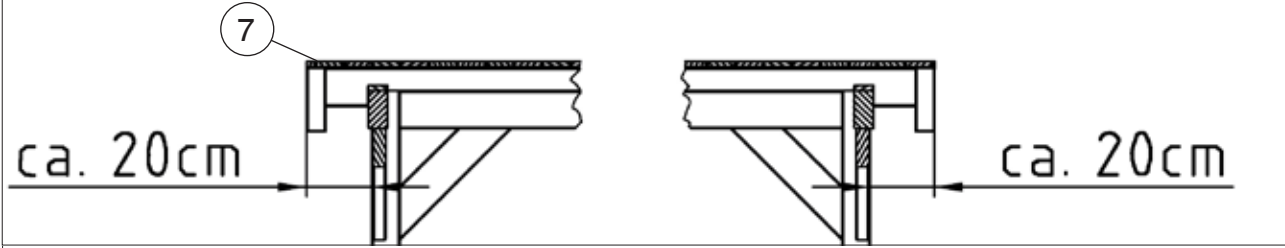


7

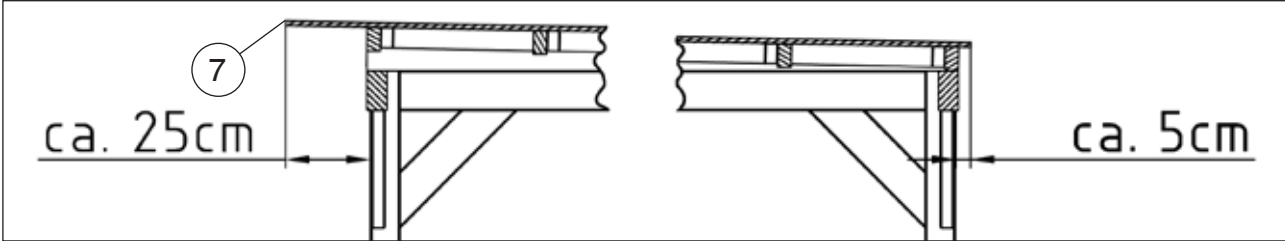
| | |
|---|-------------|
|  | M6 2,2 x 55 |
| | |



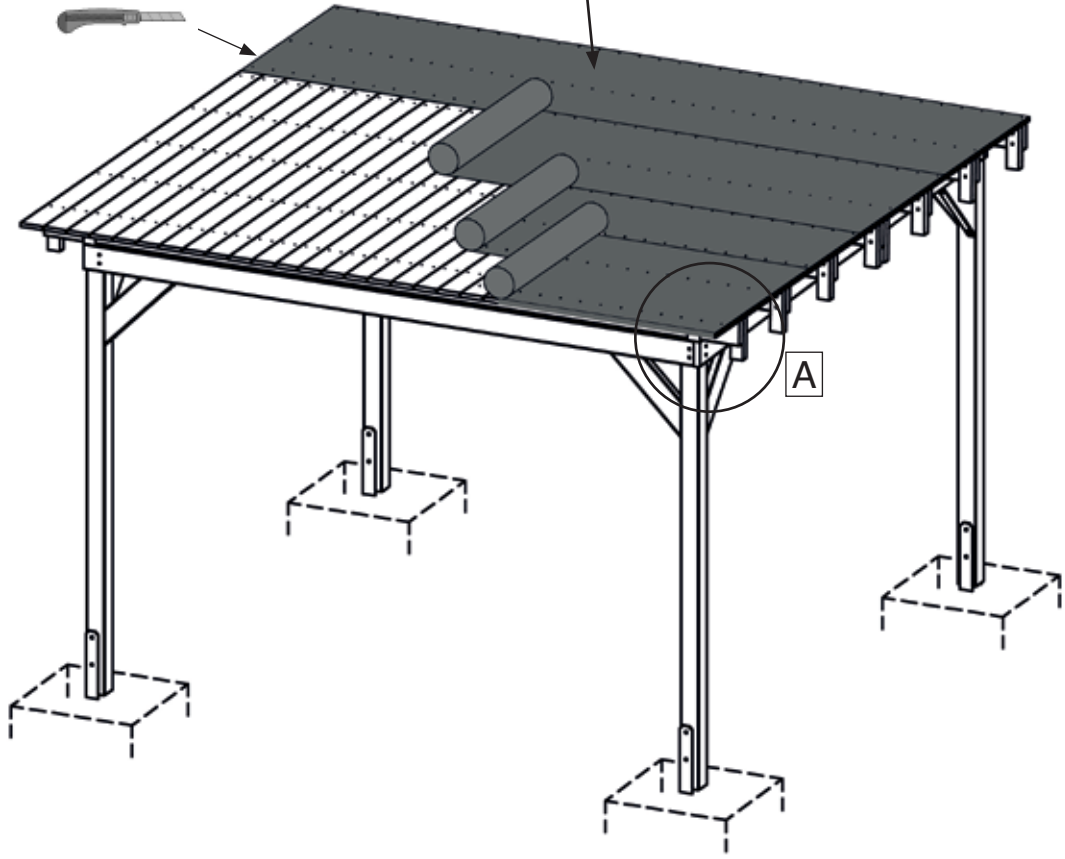
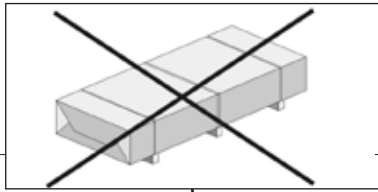
A-A



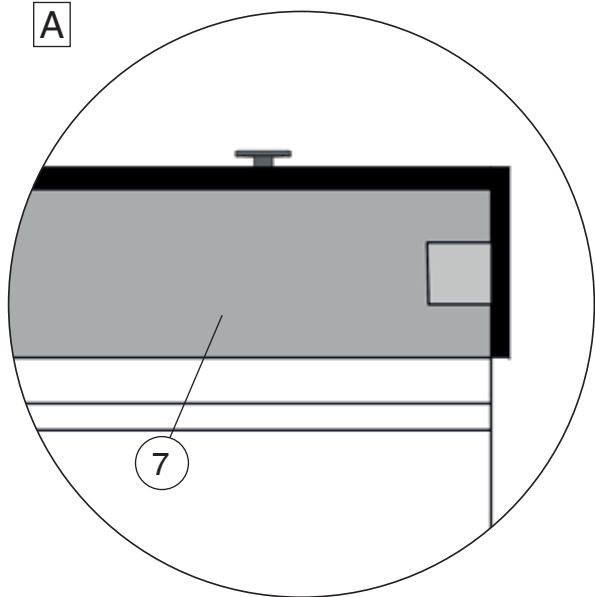
B-B



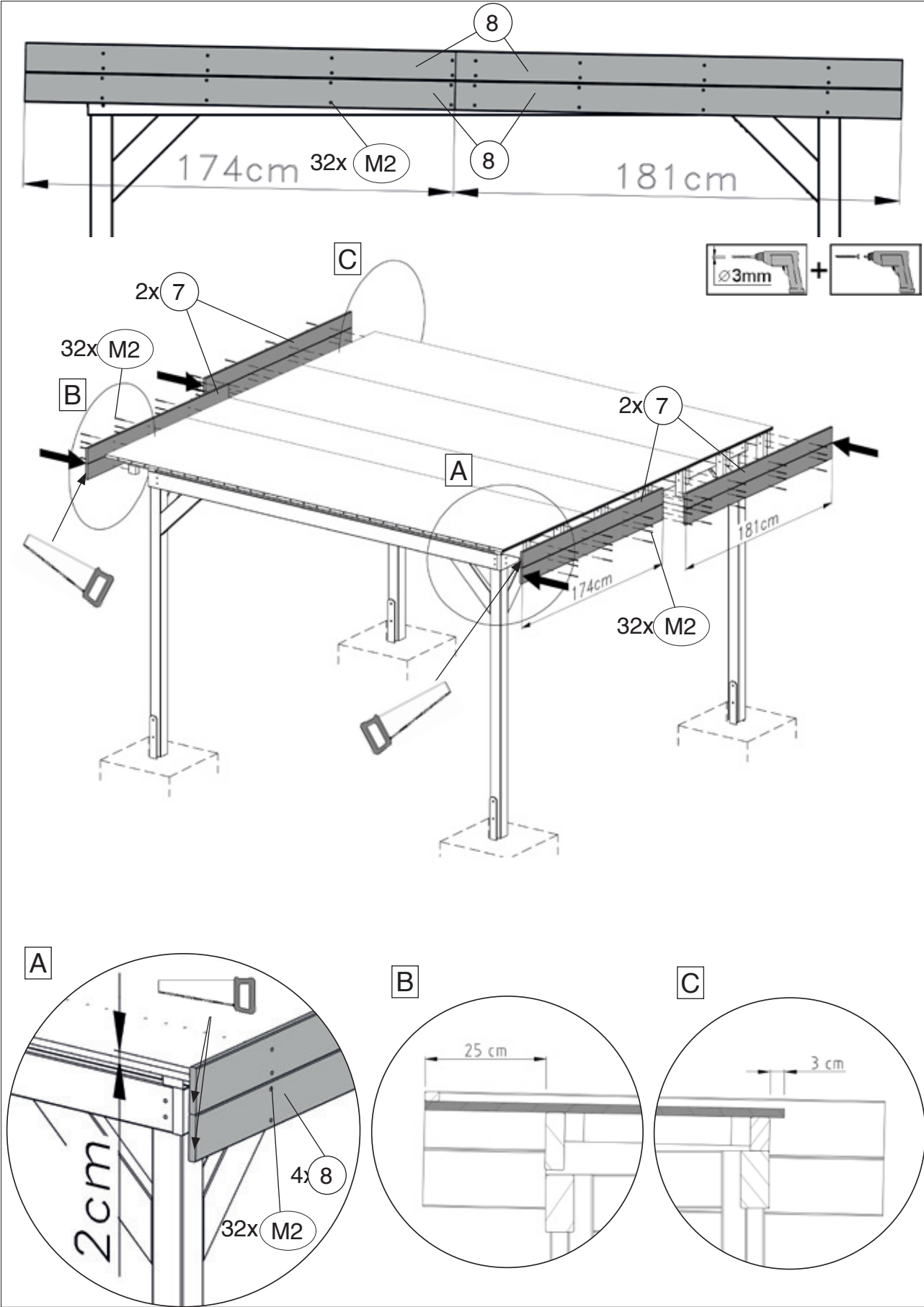
8



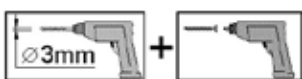
A



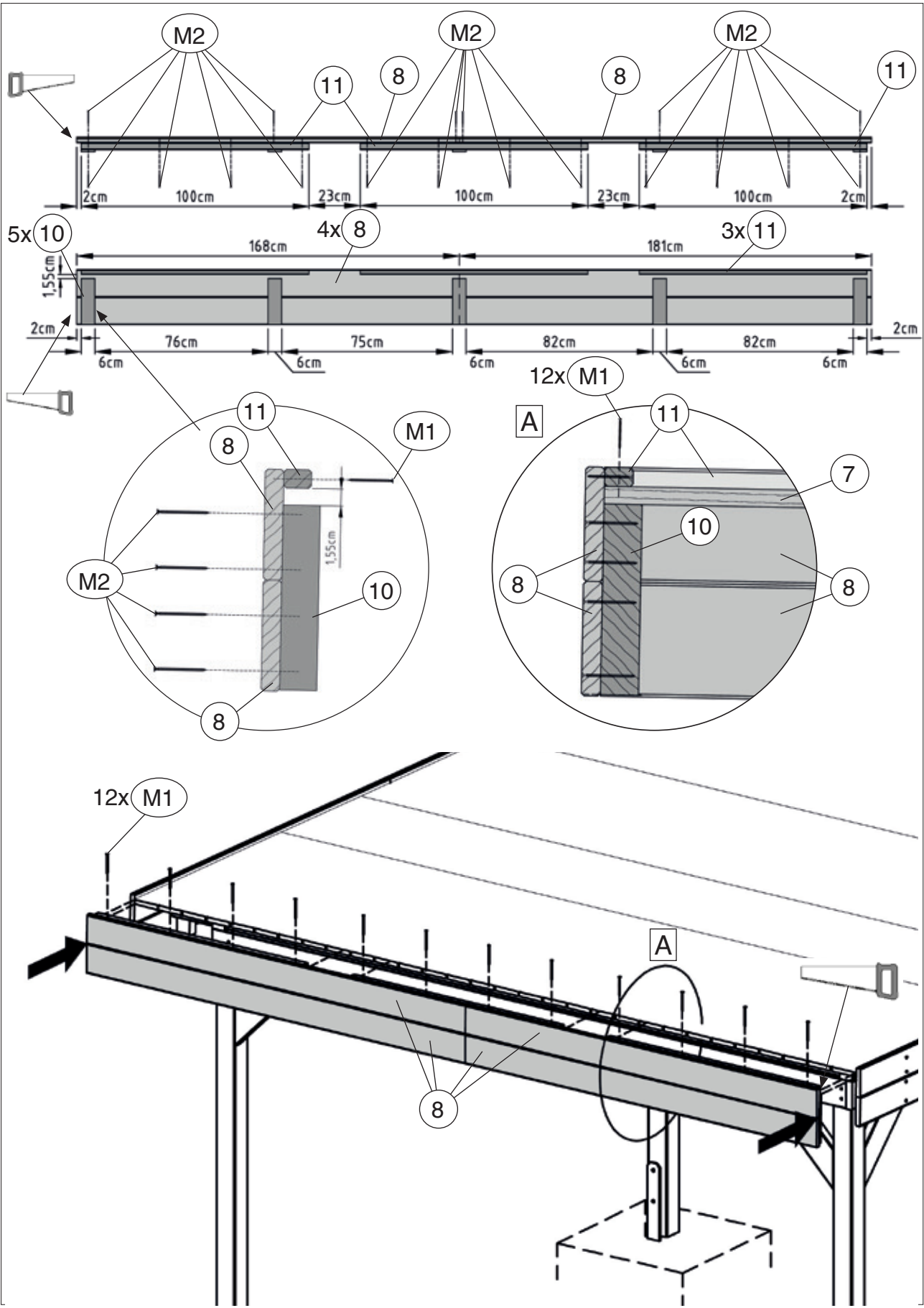
9



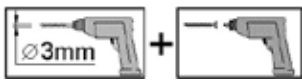
10




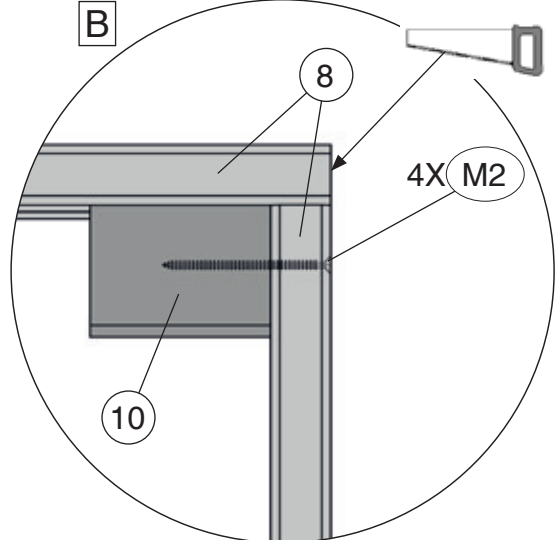
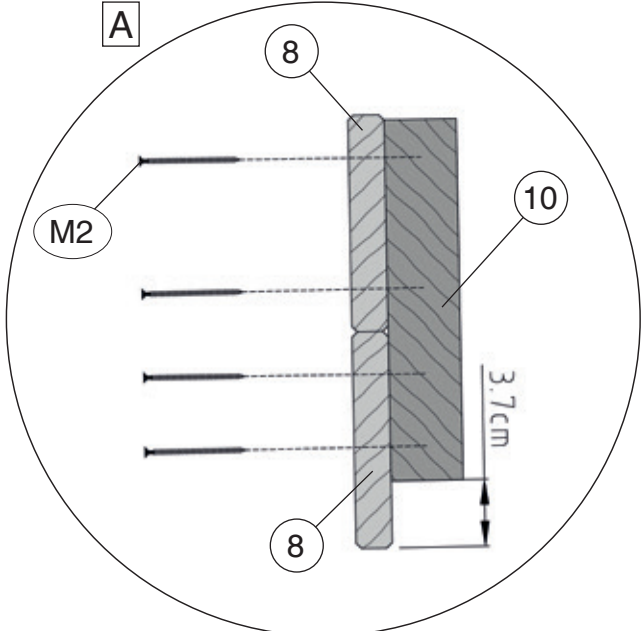
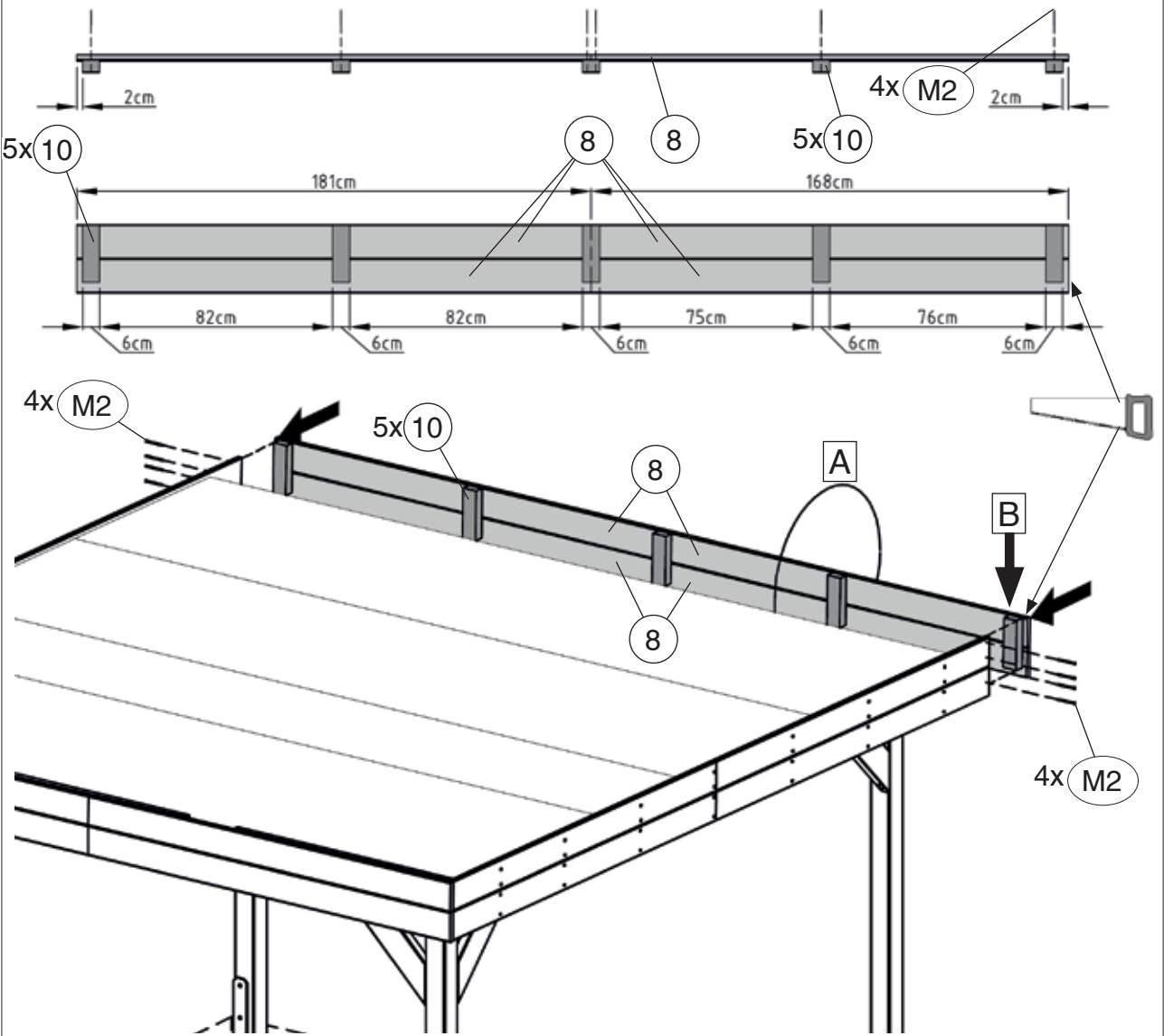
| | | |
|--|----|----------|
| | M1 | 3,5 x 30 |
| | M2 | 4,0 x 40 |




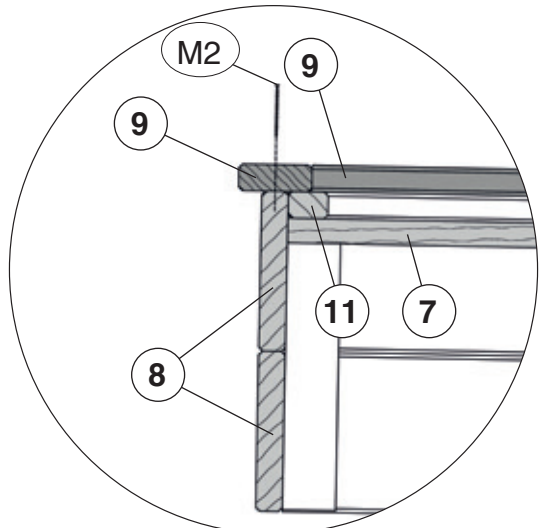
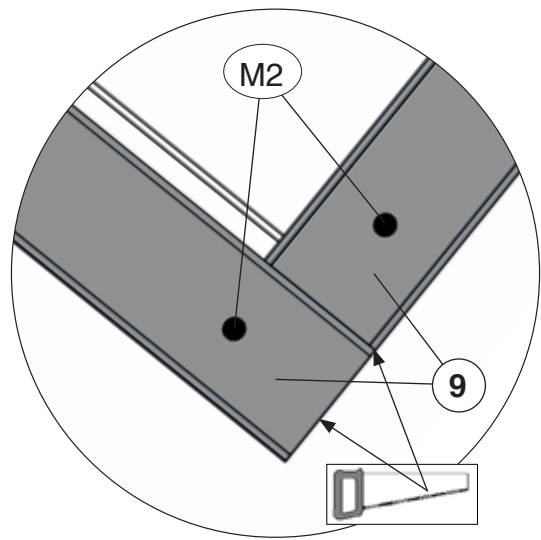
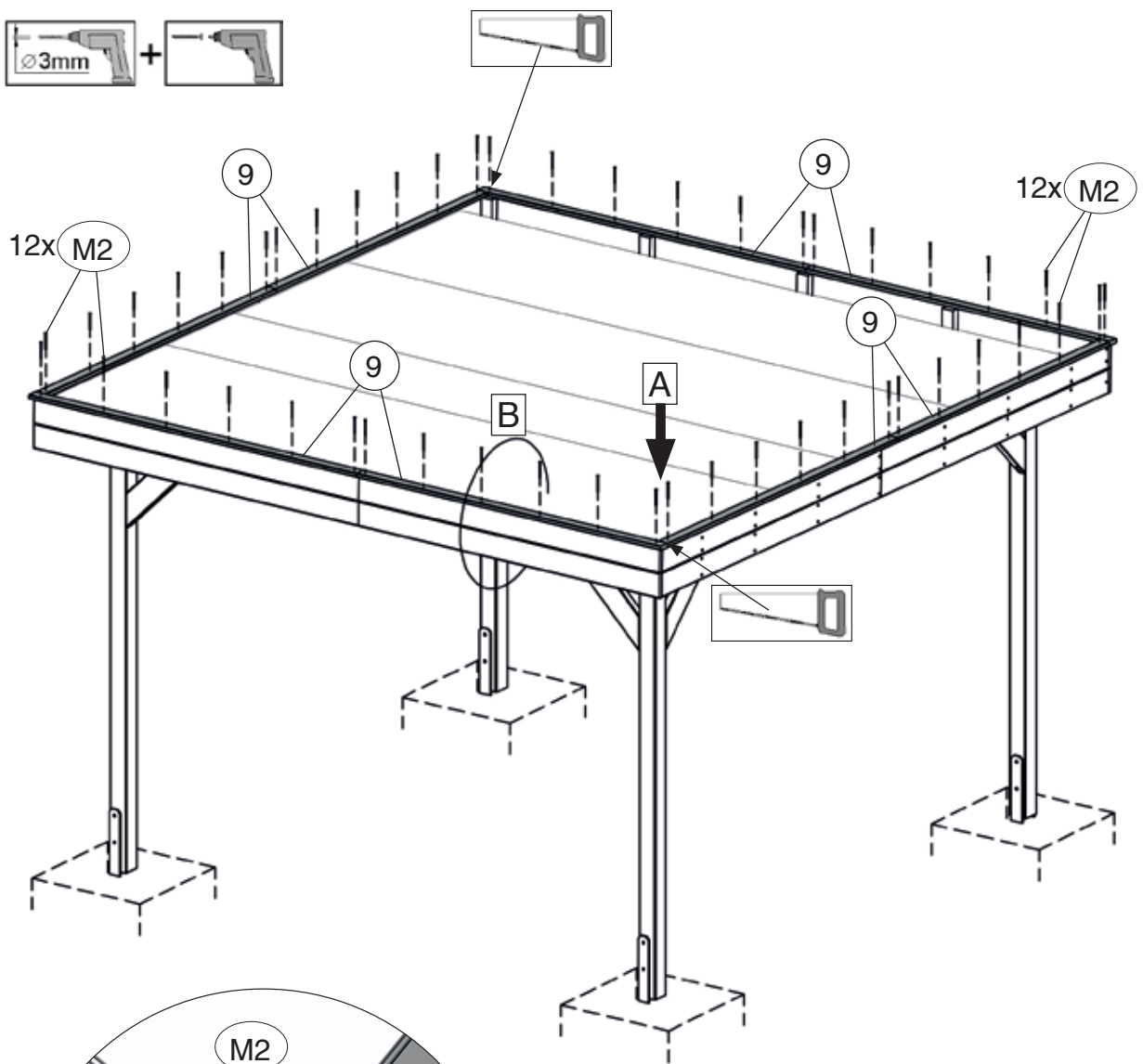
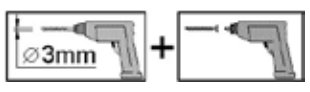
11



| | |
|---|-------------|
|  | M2 4,0 x 40 |
|---|-------------|



| | |
|---|-------------|
|  | M2 4,0 x 40 |
|---|-------------|



www.weka-holzbau.com

The logo for WEKA Holzbau GmbH, featuring the word "weka" in a white, lowercase, sans-serif font inside a red circle with a green border.

WEKA Holzbau GmbH

Johannesstr. 16, 17034 Neubrandenburg

Tel.: +49 (0)395 42908-0

Fax: +49 (0)395 42908-83

Mail: info@weka-holzbau.com

Web: www.weka-holzbau.com

MA Art.-Nr.: 800.0286.05.58