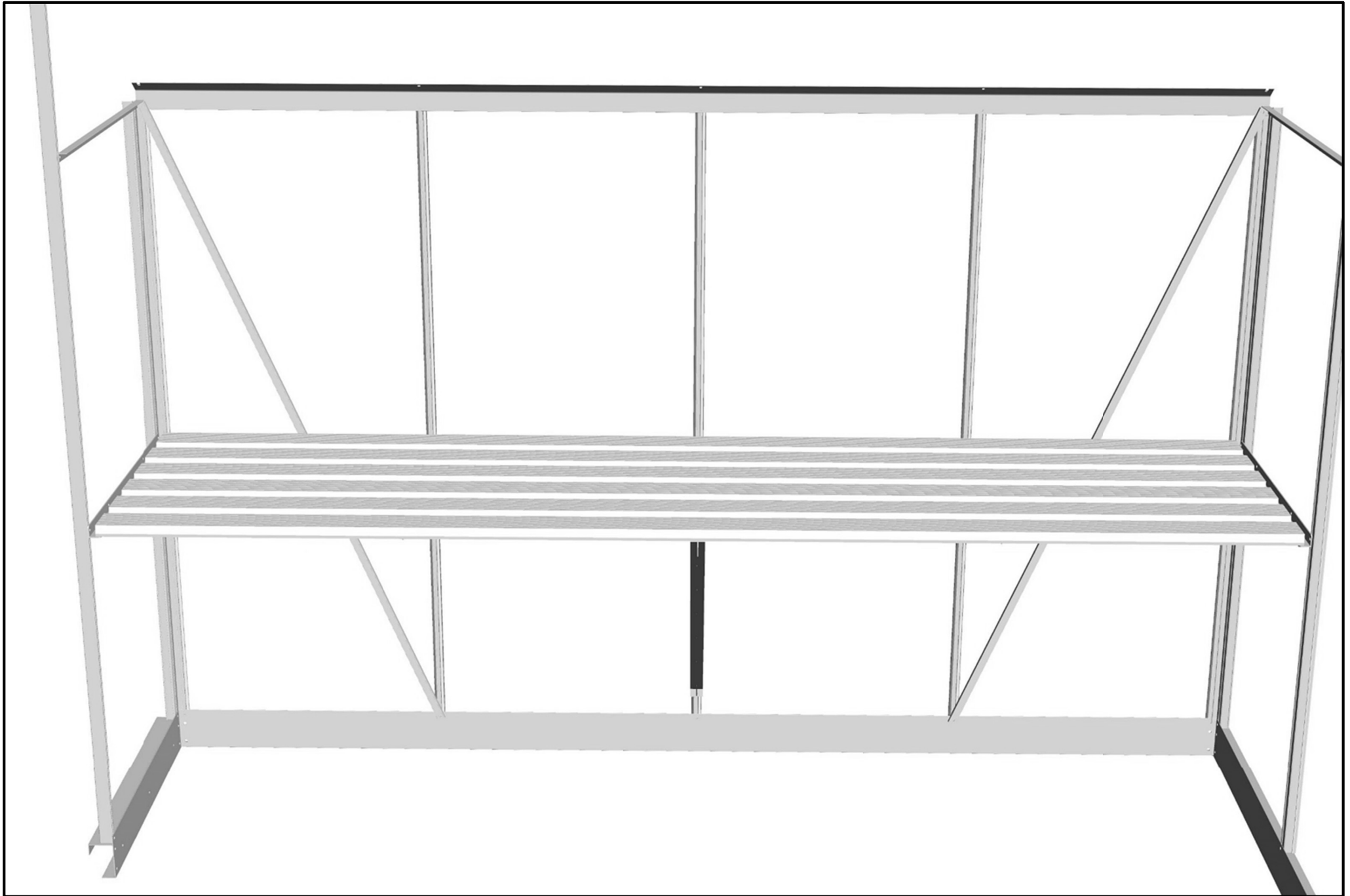










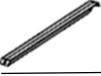






***Integral  
Staging and  
Shelving***



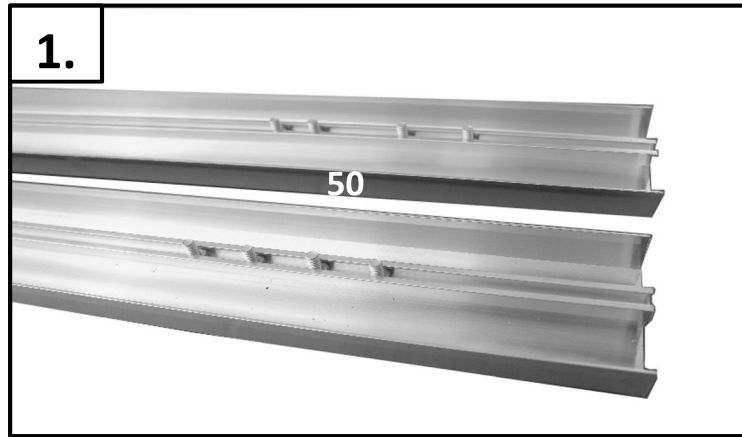


*Integral Staging / Shelving*

STAGING COMONENTS	POS	Length mm	4x4	4x6	4x8	6x6	6x8	6x10 8x10	No:
	1	1247	4	-	-	-	-	-	RP2086231247
	1	1865	-	4	-	6	-	-	RP2086231865
	1	2483	-	-	4	-	6	-	RP2086232483
	1	3101	-	-	-	-	-	6	RP2086233101
	2	400	1	1	1	-	-	-	RP25920400
	2.1	478	1	1	1	-	-	-	RP25920478
	2	632	-	-	-	2	2	2	RP25920632
	3	430	1	2	3	-	-	-	RP241380430
	3	662	-	-	-	3	3	4	RP241380662
	4	577	1	1	1	-	-	-	RP048010577
	4	905	-	-	-	2	1	2	RP048010905
	49	-	6	8	10	8	10	12	N00300610
	50	-	13	18	23	26	41	48	N00300605
	51	-	19	26	33	40	51	60	N00300655
	56	-	-	-	-	6	-	6	N00300656

The above components are for STAGING only. NOTE: 6x6 / 6x10 models contain extra components for JOINING staging.

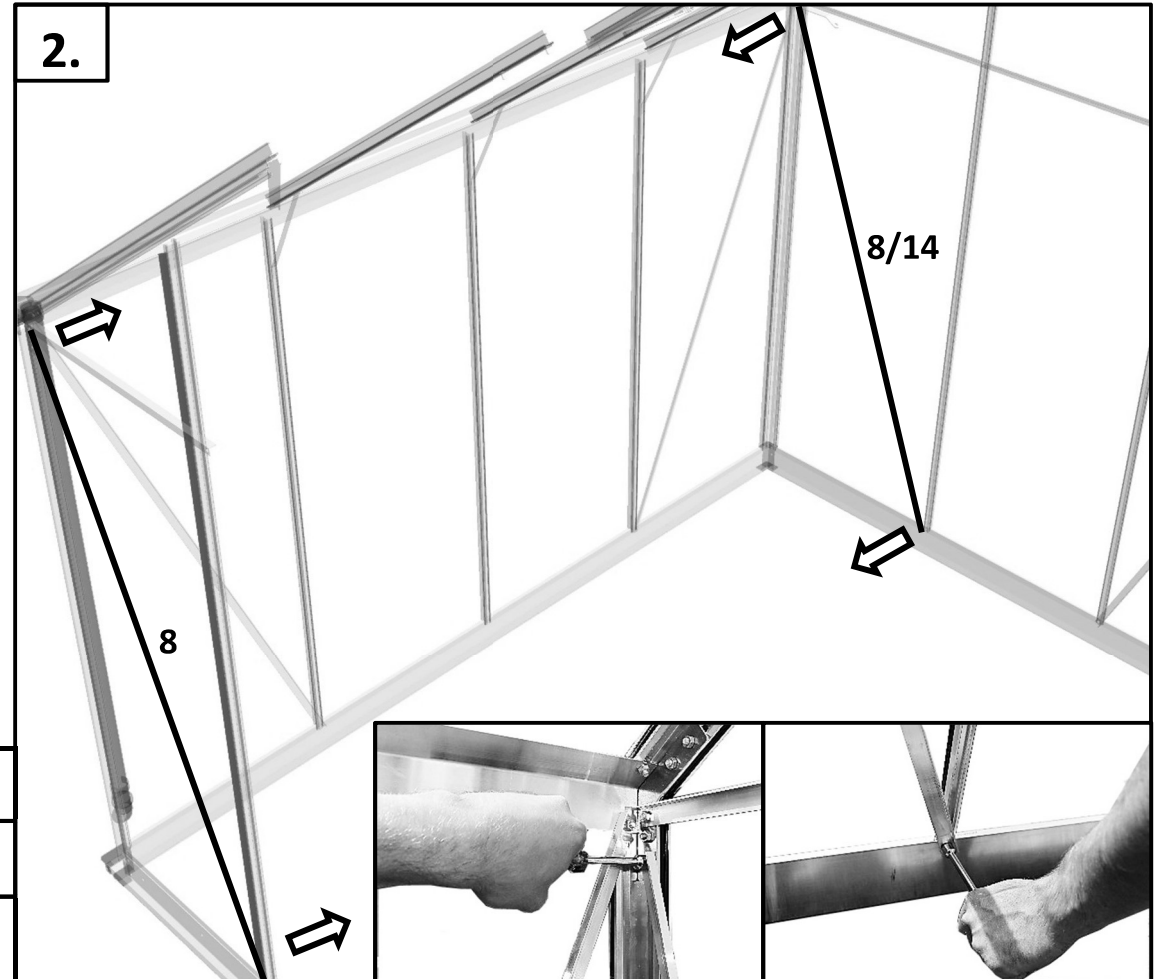
8x12 +	8x12 10x12	QTY	8x14 10x14	QTY	10x16	QTY	10x18	QTY	10x20	QTY
1 + 1	6X6 6X6	1 1	6X6 6X8	1 1	6X6 6X10 / 8 X 10	1 1	6X8 6X10 / 8X10	1 1	6X10 / 8X10 6X10 / 8X10	1 1

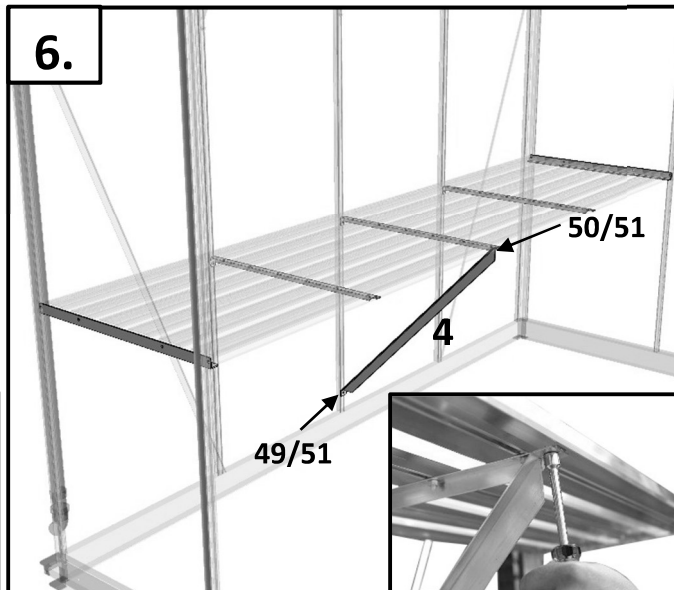
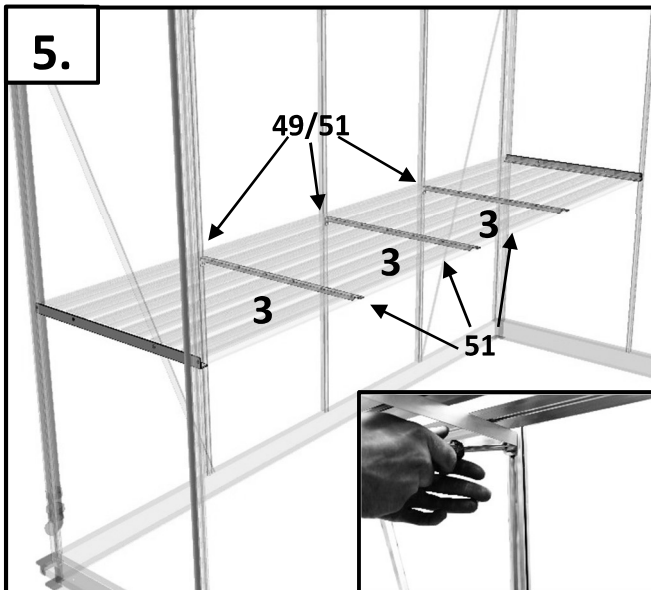
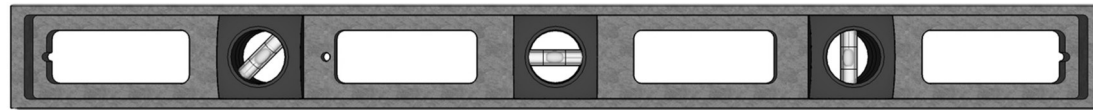
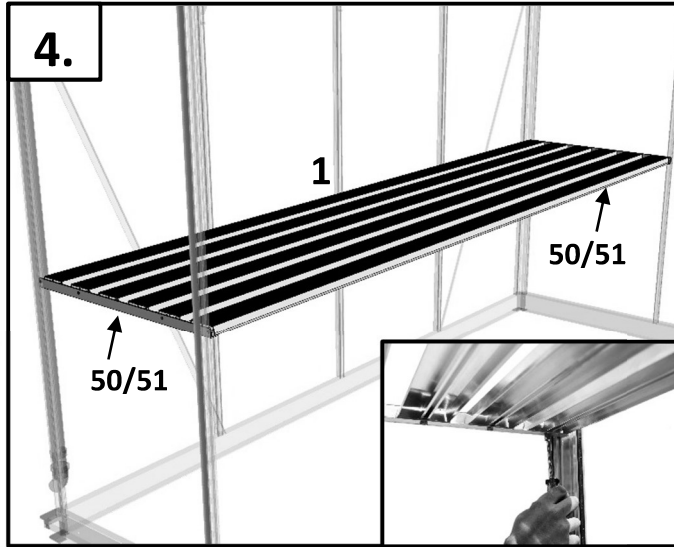
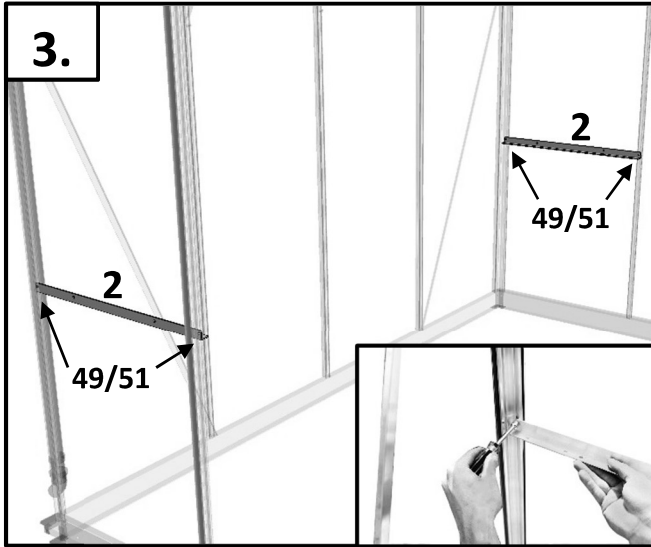


PRE-LOAD EACH SLAT (1)

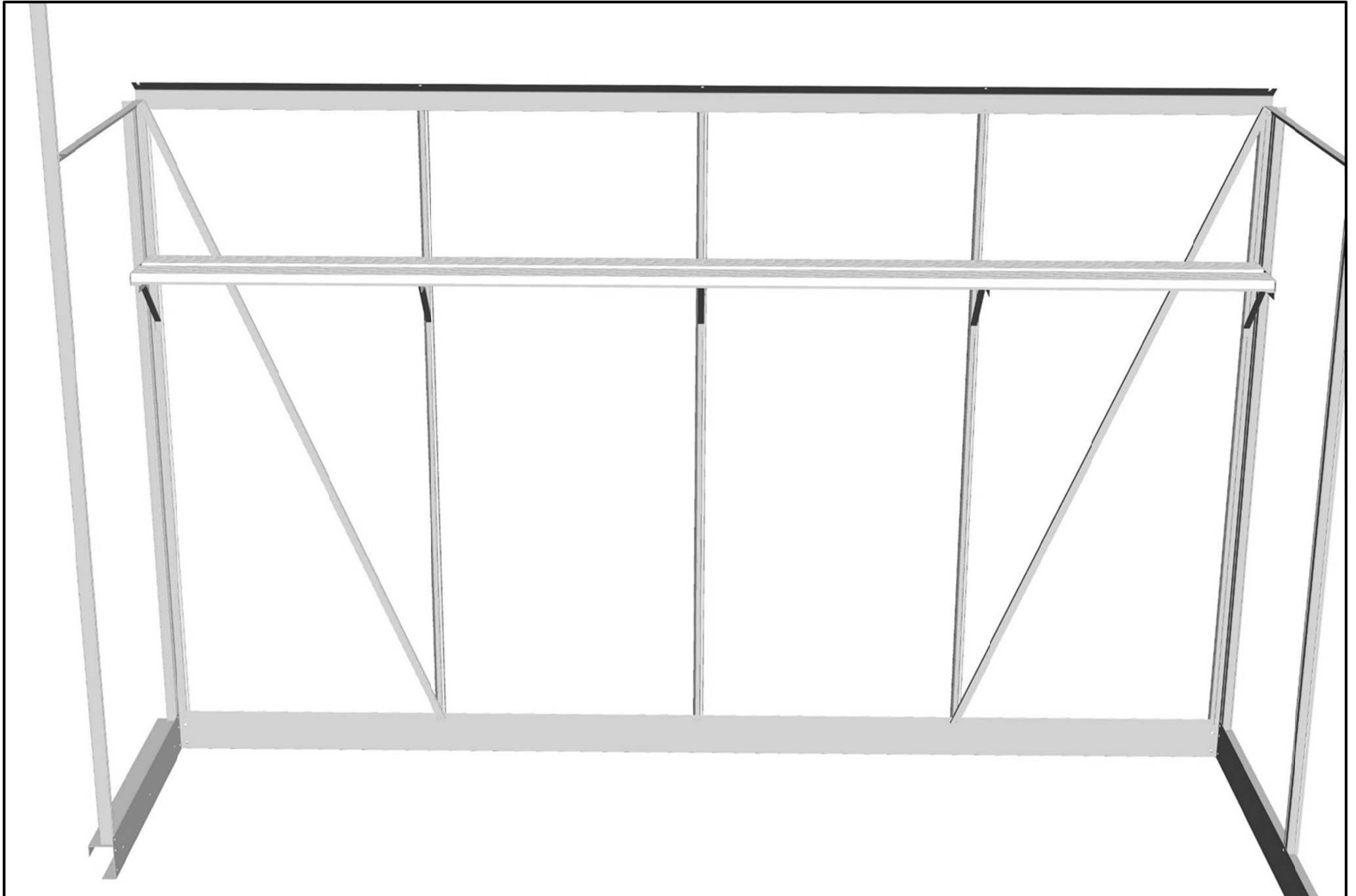
4x4	4x6	4x8	6x6	6x8	6x10 8x10
3	4	5	4	5	6





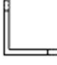







REMOVE BRACING ON DESIRED SIDE				
	4FT BIRDLIP	6FT BURFORD	8FT BLOCKLEY	10FT BOURTON
POS	8 / 14	8	8	8





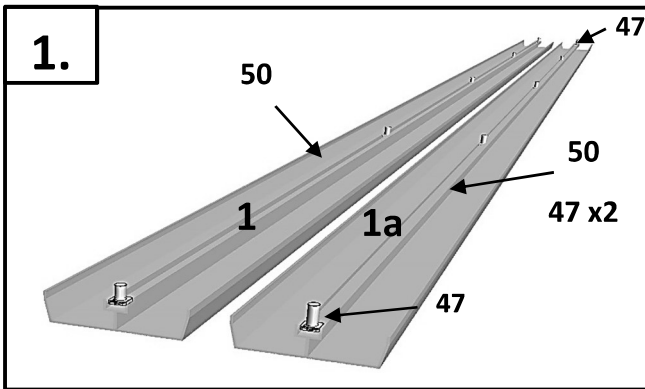
	POS	Length mm	4x4	4x6	4x8	6x6	6x8	6x10 8x10
	1	1247	4	-	-	-	-	-
	1	1865	-	4	-	6	-	-
	1	2483	-	-	4	-	6	-
	1	3101	-	-	-	-	-	6
	2	400	1	1	1	-	-	-
	2.1	478	1	1	1	-	-	-
	2	632	-	-	-	2	2	2
	3	430	1	2	3	-	-	-
	3	662	-	-	-	3	3	4
	4	577	1	1	1	-	-	-
	4	905	-	-	-	2	1	2
	49	-	6	8	10	8	10	12
	50	-	13	18	23	26	41	48
	51	-	19	26	33	40	51	60
	56	-	-	-	-	6	-	-



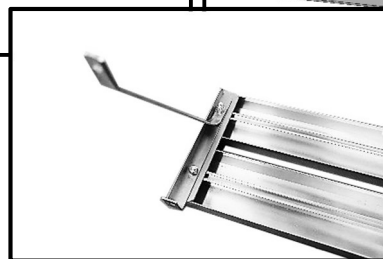
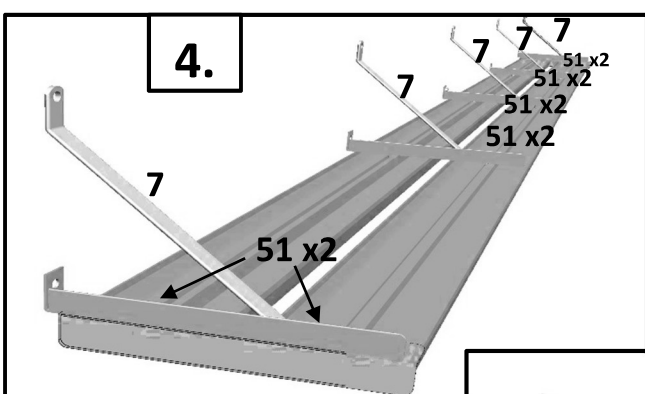
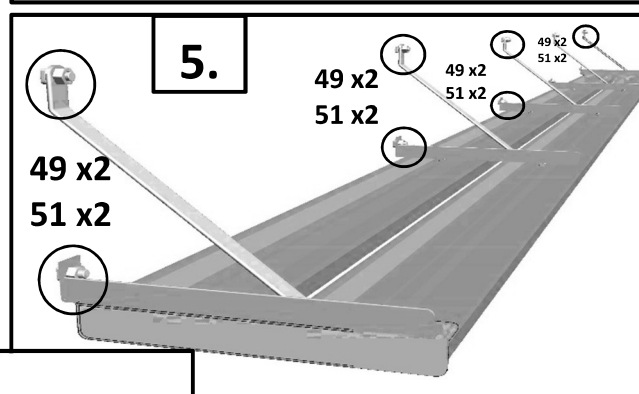
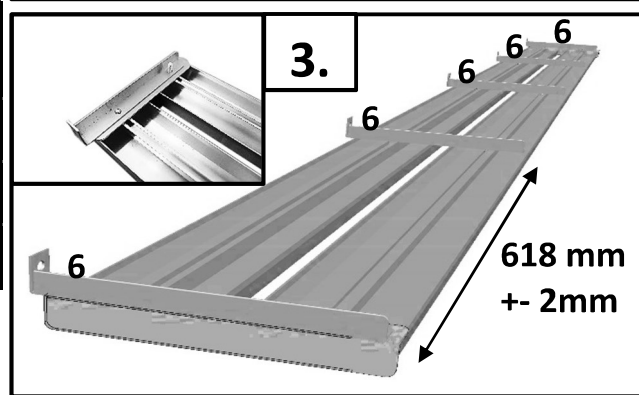
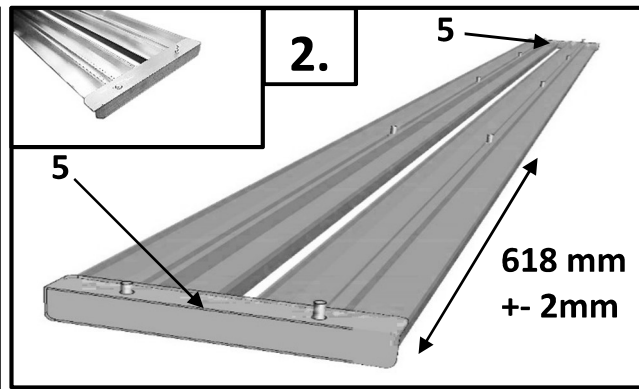
SHELVING COMPONENTS	POS	Length mm	4x4	4x6	4x8	6x6	6x8	6x10 8x10	No:
	1	1247	2	-	-	-	-	-	RP2086231247
	1	1865	-	2	-	2	-	-	RP2086231865
	1	2483	-	-	2	-	2	-	RP2086232483
	1	3101	-	-	-	-	-	2	RP2086233101
	5	182	2	2	2	2	2	2	RP025920182
	6	212	3	4	5	4	5	6	RP241380212
	7	230	3	4	5	4	5	6	RN235570230
	47	-	2	2	2	2	2	2	N00300625
	49	-	6	8	10	8	10	12	N00300610
	50	-	6	8	10	8	10	12	N00300605
	51	-	14	18	22	18	22	26	N00300655
	56	-	-	-	-	2	-	2	N00300656

The above components are for SHELVING only. NOTE: 6x6 / 6x10 models contain extra components for JOINING shelving.

8x12 +	8x12 10x12	QTY	8x14 10x14	QTY	10x16	QTY	10x18	QTY	10x20	QTY
1 + 1	6X6	1	6X6	1	6X6	1	6X8	1	6X10 / 8X10	1
	6X6	1	6X8	1	6X10 / 8 X 10	1	6X10 / 8X10	1	6X10 / 8X10	1



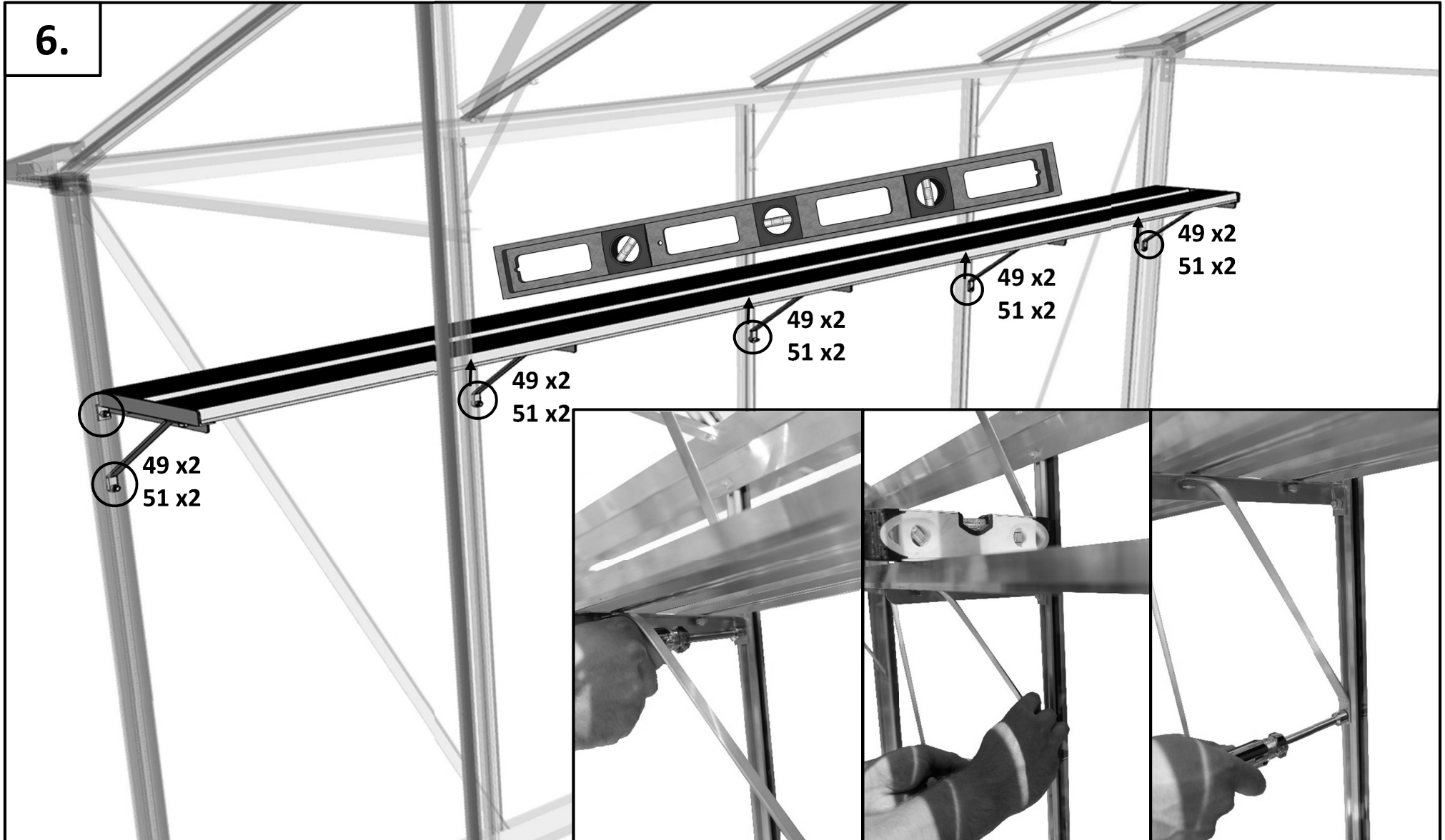
PRE-LOAD EACH SLAT (1)						50
PRE-LOAD EACH SLAT (1-1)						50 / 47
	4x4	4x6	4x8	6x6	6x8	6x10 8x10
<b>1</b>	3	4	5	4	5	6
<b>1a</b>	1/2	2/2	3/2	2/2	3/2	4/2



	POS	Length mm	4x4	4x6	4x8	6x6	6x8	6x10 8x10
	1	1247	2	-	-	-	-	-
	1	1865	-	2	-	2	-	-
	1	2483	-	-	2	-	2	-
	1	3101	-	-	-	-	-	2
	5	182	2	2	2	2	2	2
	6	212	3	4	5	4	5	6
	7	230	3	4	5	4	5	6
	47	-	2	2	2	2	2	2
	49	-	6	8	10	8	10	12
	50	-	6	8	10	8	10	12
	51	-	14	18	22	18	22	26
	56	-	-	-	-	2	-	2



6.



The above components are for SHELVING only. NOTE: 6x6 / 6x10 models contain extra components for JOINING shelving.

8x12 +	8x12 10x12	QTY	8x14 10x14	QTY	10x16	QTY	10x18	QTY	10x20	QTY
1 + 1	6X6	1	6X6	1	6X6	1	6X8	1	6X10 / 8X10	1
	6X6	1	6X8	1	6X10 / 8 X 10	1	6X10 / 8X10	1	6X10 / 8X10	1