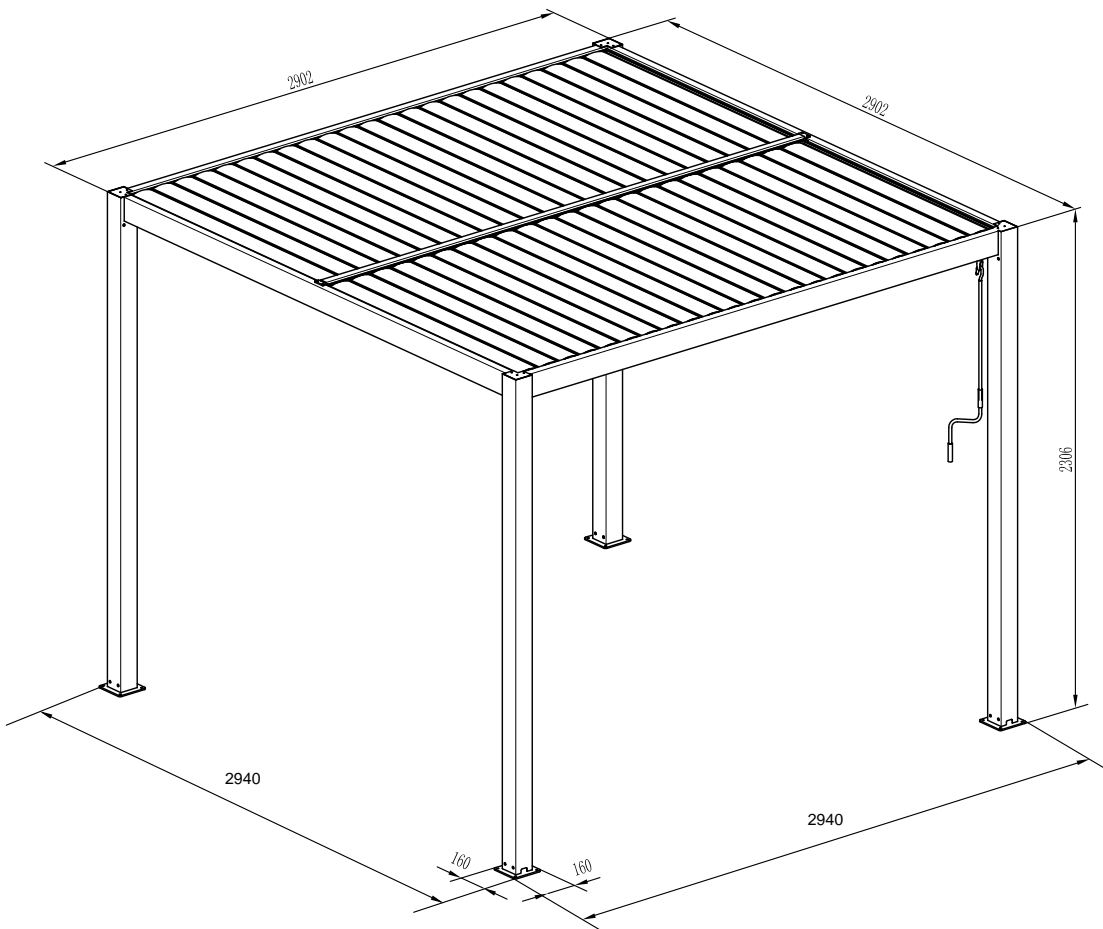
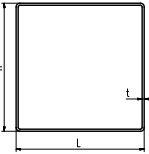
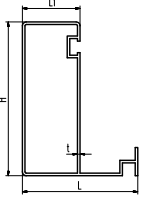
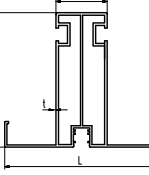

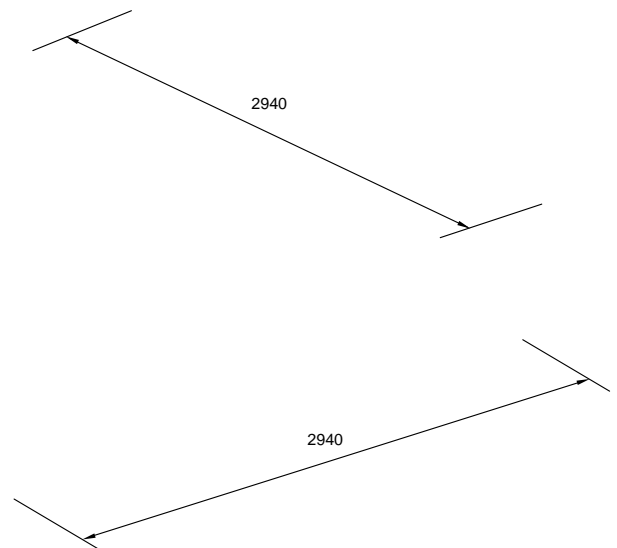


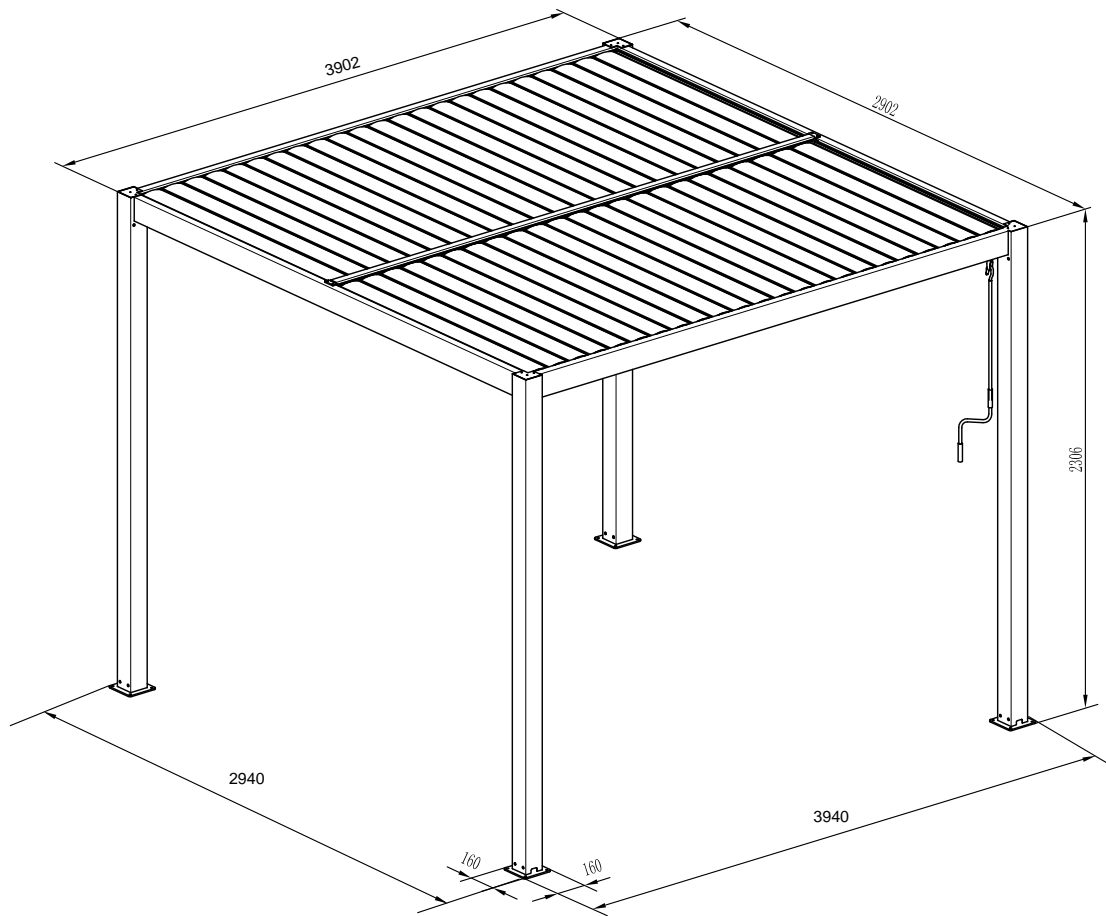
# 8610-300x300cm

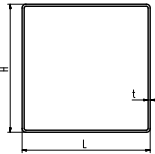
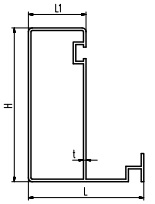
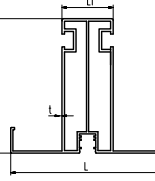
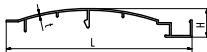


Components	Drawings	Thickness	Sizes
Standing pole		1.6mm	100x100mm
Beam (Left, right front, back)		2.0mm	120x100mm
Beam (Middle)		2.0mm	105x120mm
Flip board		1.4mm	23x145mm

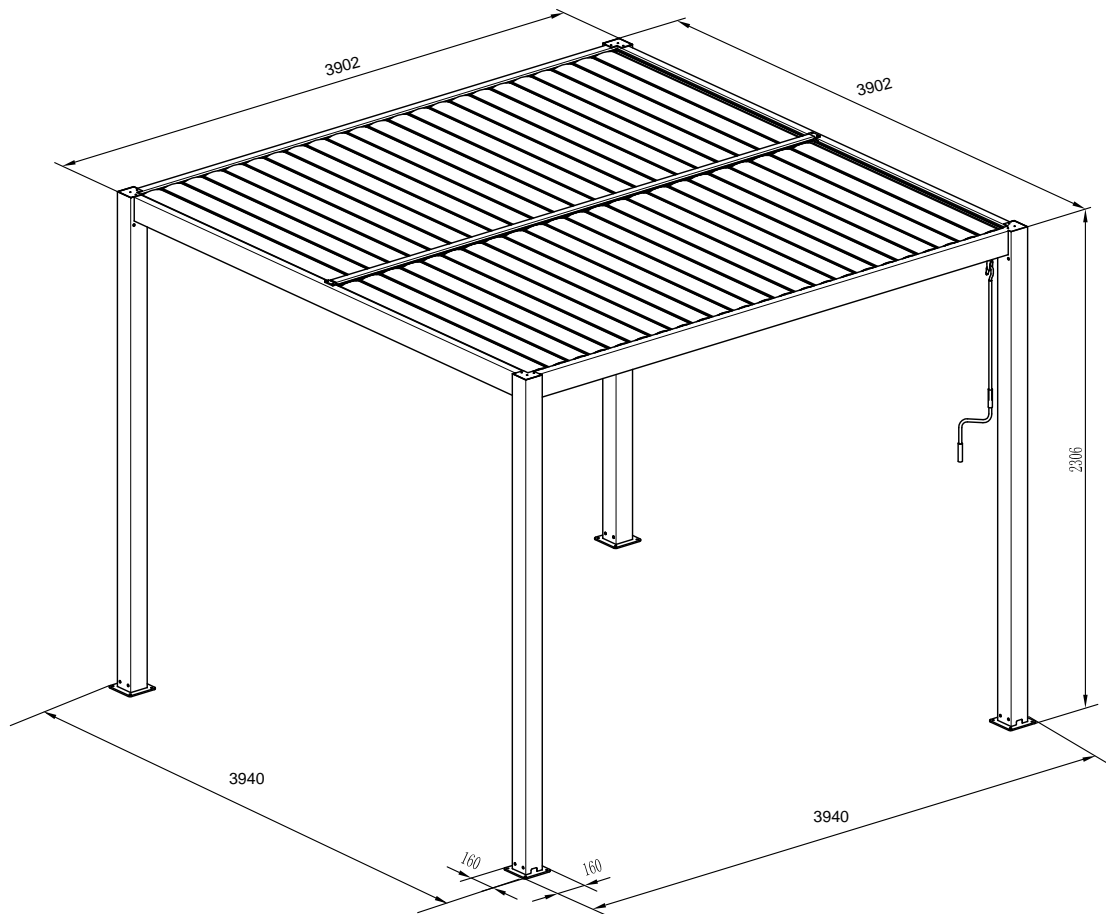


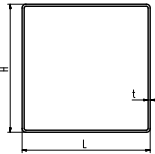
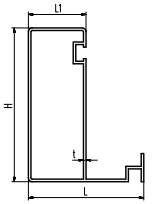
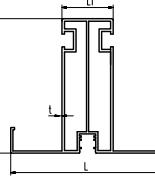
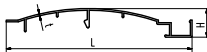
# 8610-300x400cm



Components	Drawings	Thickness	Sizes
Standing pole		1.6mm	100x100mm
Beam (Left, right front, back)		2.0mm	120x100mm
Beam (Middle)		2.0mm	105x120mm
Flip board		1.4mm	23x145mm

# 8610-400x400cm



Components	Drawings	Thickness	Sizes
Standing pole		1.6mm	100x100mm
Beam (Left, right front, back)		2.0mm	120x100mm
Beam (Middle)		2.0mm	105x120mm
Flip board		1.4mm	23x145mm