



www.weka-holzbau.com

Ergänzungsbausatz für Kinderspieltürme

816.2003.00.01 / 816.2103.00.01



816.1102.00.03



816.1102.00.03



816.1102.00.03
+ 816.4001.00.0x



816.1001.00.12



816.1001.00.12

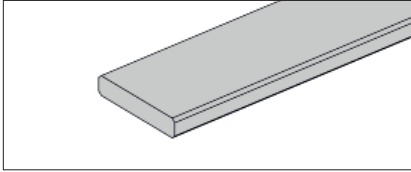
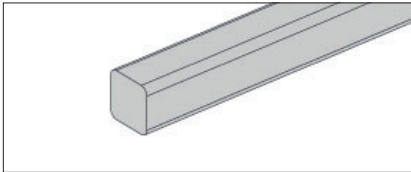
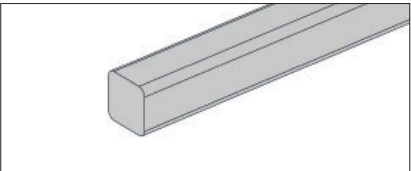
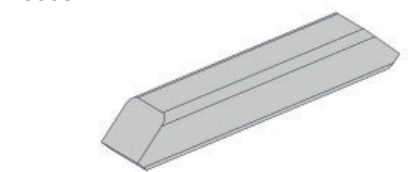
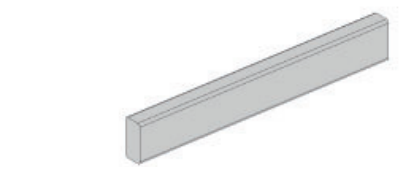
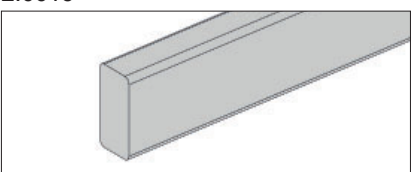


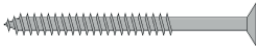





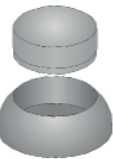
816.1001.00.12
+ 816.4001.00.0x



Montage-, Bedienungs- und Wartungsanleitung

Stand: 2102

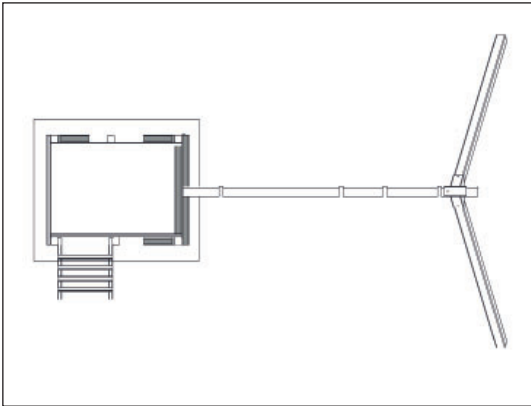
| Pos | Bild | Abmessung (mm) | Anzahl (Stück) |
|-----|---|---------------------|----------------|
| | | | 816.2003.01.01 |
| ① | R002.0540.1200  | 18,5/96/1200 | 9 |
| ② | G816.01.0004  | 66/66/2100 | 1 |
| ③ | G816.01.0005  | 66/66/1200 | 1 |
| ④ | G816.01.0003  | 66/66/400 | 6 |
| ⑤ | G816.02.0020  | 34/72/500 | 1 |
| ⑥ | G816.02.0019  | 34/72/1400 | 1 |

| M816.010 | | Abmessung (mm) | Anzahl (Stück) |
|----------|---|---------------------|----------------|
| Pos | Bild | | |
| M1 | K001.6060.0004  | 6,0 x 60 | 65 |
| M2 | K001.1250.0004  | 5,0 x 120 | 20 |
| M3 | K005.1508.0001  | M8 x 150 | 2 |
| M4 | K005.1108.0001  | M8 x 110 | 2 |
| M5 | K020.8400.0001  | 24 x 8,4 | 4 |
| M6 | K019.0800.0001  | | 4 |
| M7 | K816.4006.0000  | | 4 |

Draufsichten

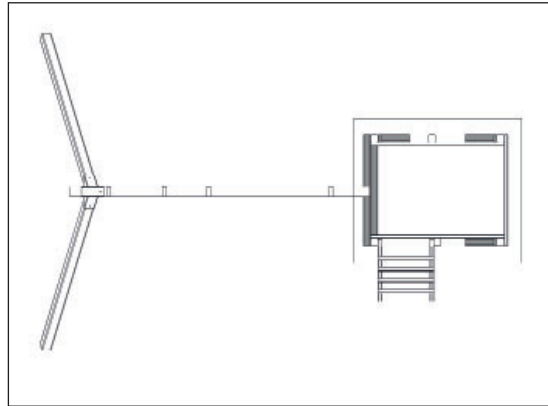
816.1102.00.03

VARIA 1R



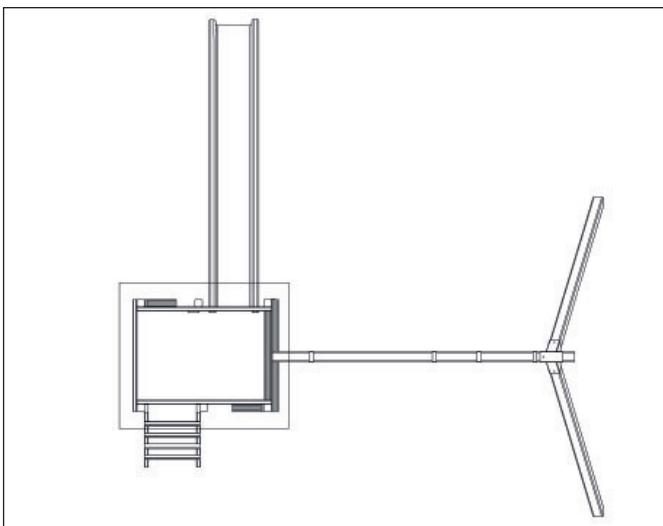
816.1102.00.03

VARIA 1L



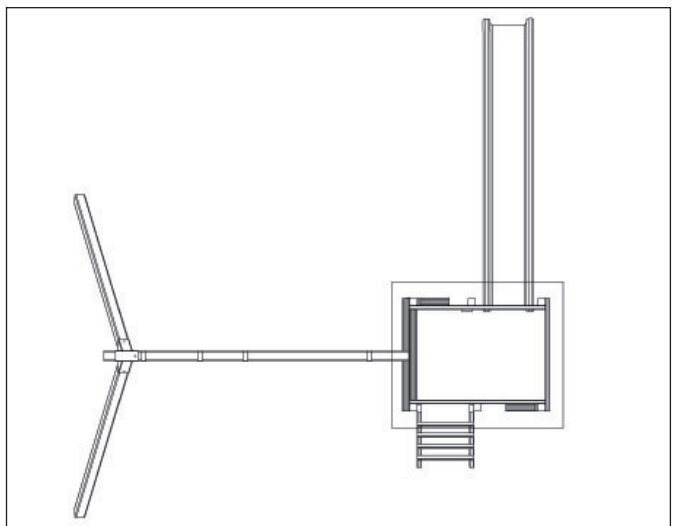
816.1102.00.03
+ 816.4001.00.0x

VARIA 2R



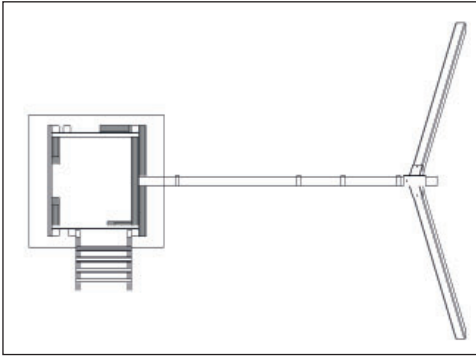
816.1102.00.03
+ 816.4001.00.0x

VARIA 2L



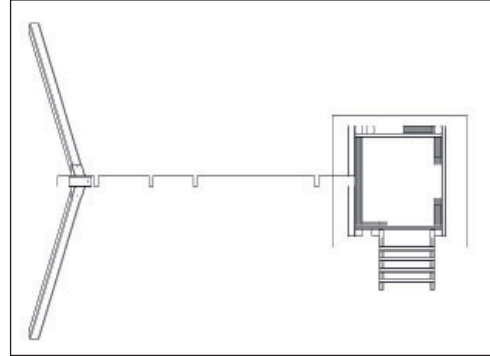
816.1001.00.12

VARIA 1R



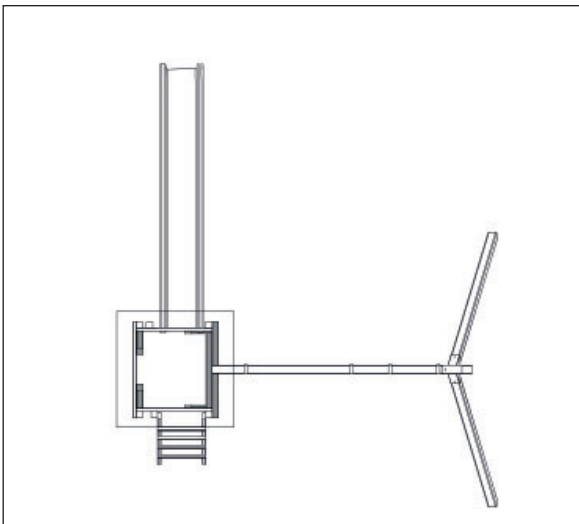
816.1001.00.12

VARIA 1L



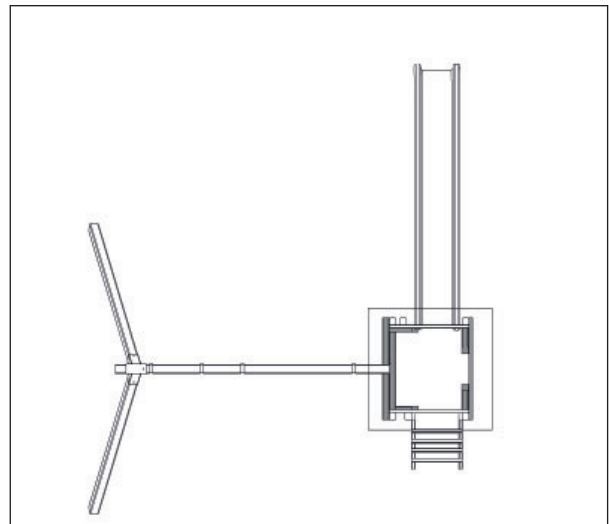
816.1001.00.12
+ 816.4001.00.0x

VARIA 2R







816.1001.00.12
+ 816.4001.00.0x


VARIA 2L

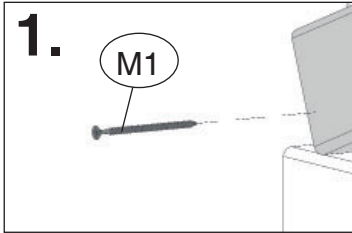


1

| | |
|---|-------------|
|  | M7 |
|  | M1 6,0 x 60 |

| | |
|---|-------------|
|  | M5 24 x 8,4 |
|  | M6 |

| | |
|--|-------------|
|  | M4 M8 x 110 |
|--|-------------|



816.1102.00.03

VARIA 1

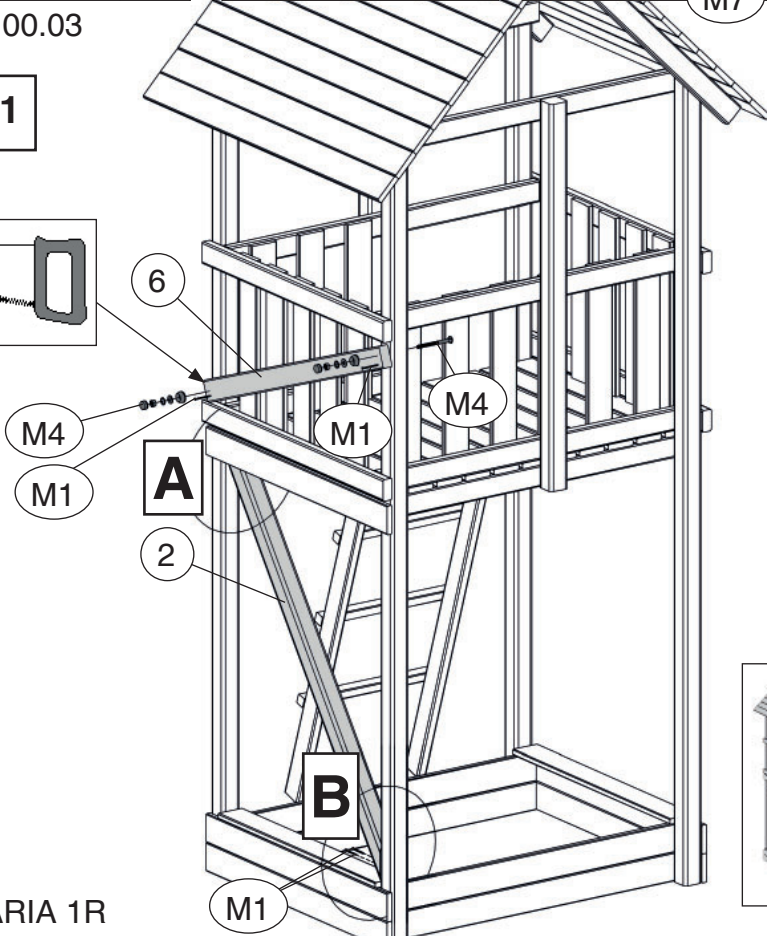
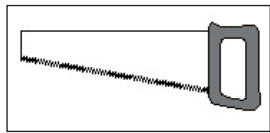
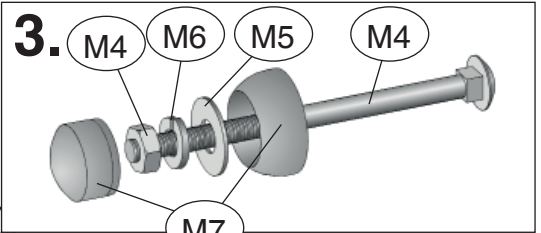
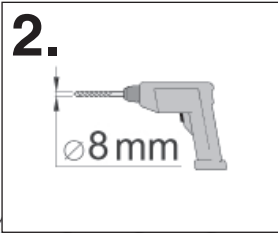
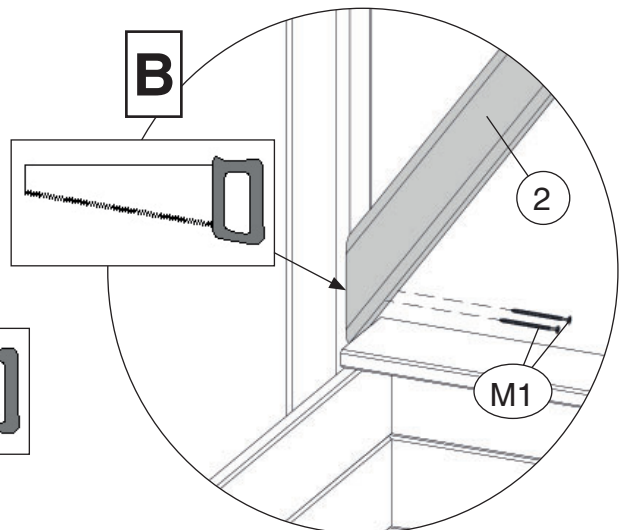
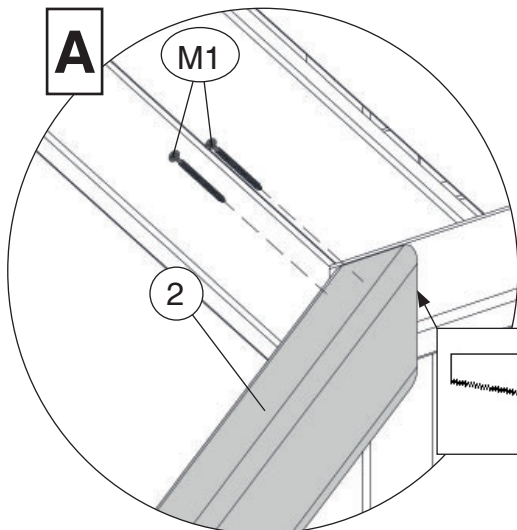
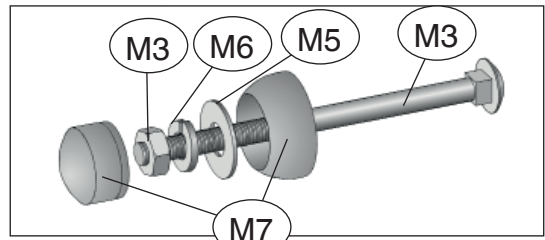
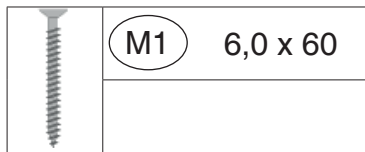
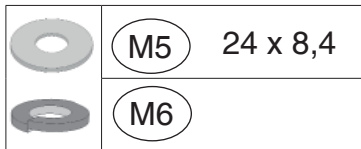


Abbildung VARIA 1R

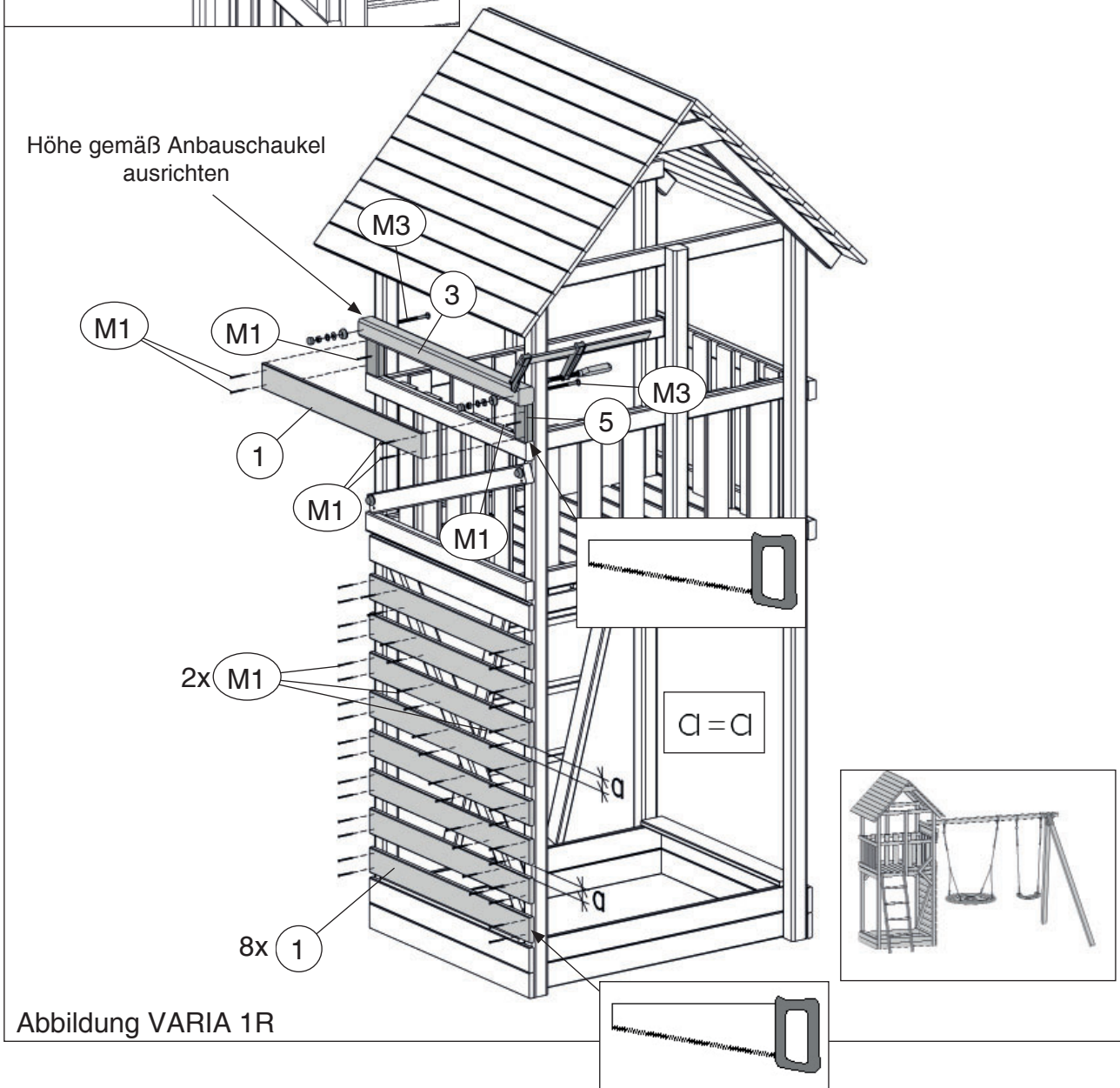
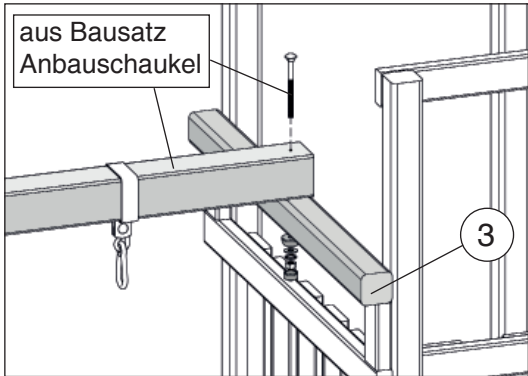


2




816.1102.00.03

VARIA 1



3

| | | |
|---|----|-----------|
|  | M1 | 6,0 x 60 |
| | M2 | 5,0 x 120 |

816.1102.00.03

VARIA 1

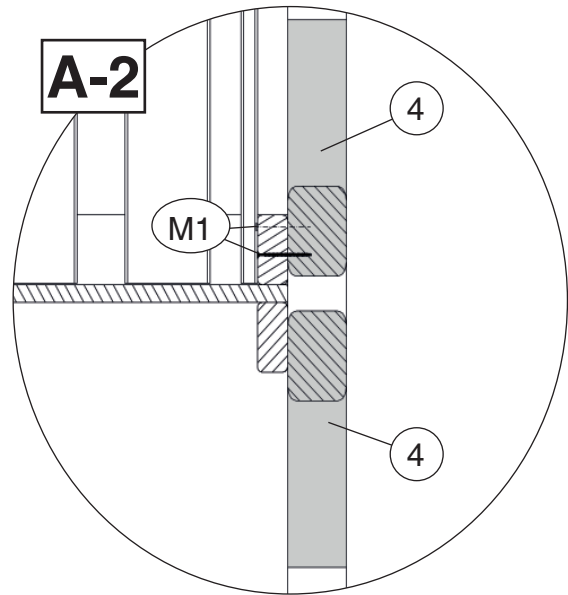
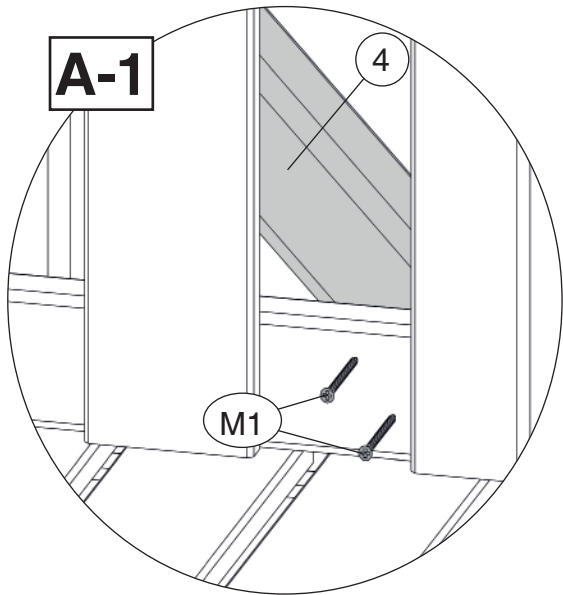
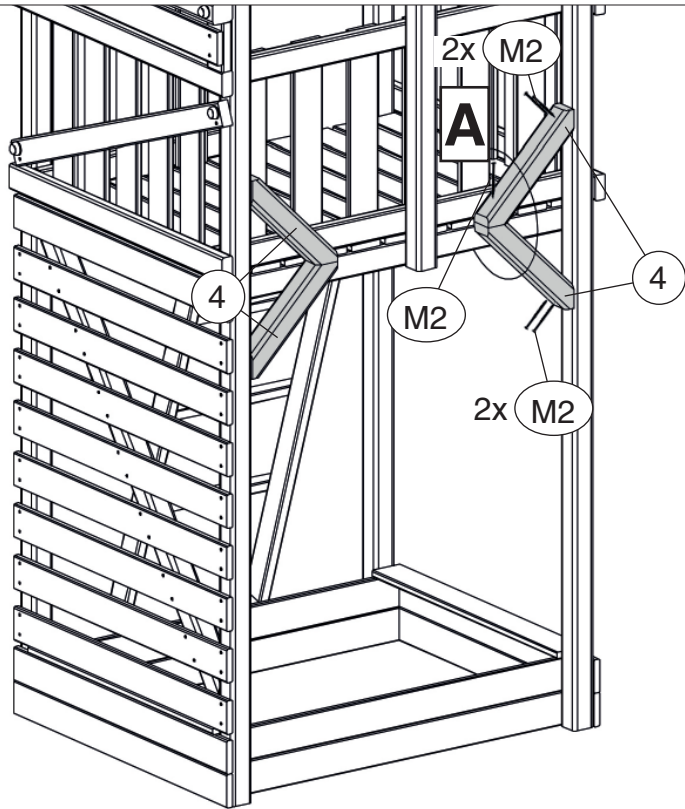




Abbildung VARIA 1R

4

| | | |
|---|----|-----------|
|  | M1 | 6,0 x 60 |
|  | M2 | 5,0 x 120 |

816.1102.00.03

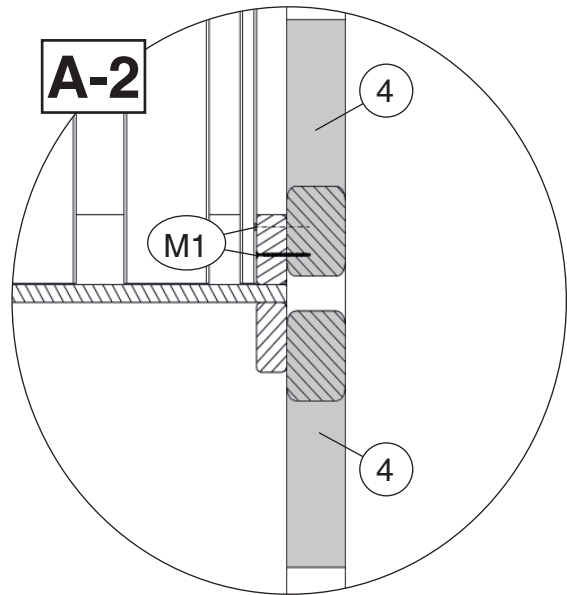
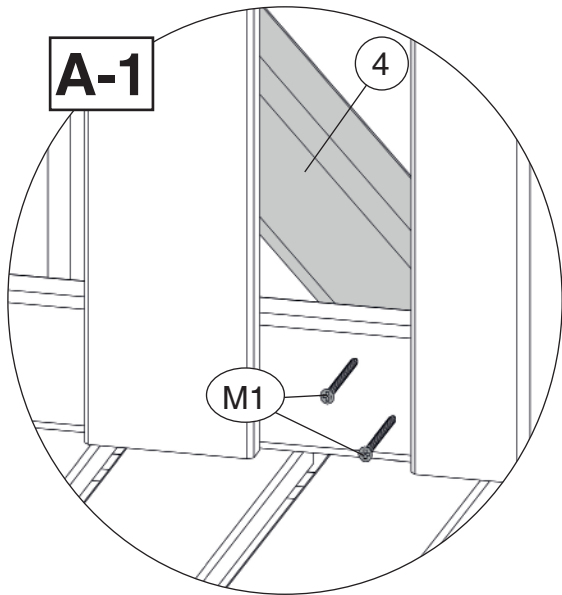
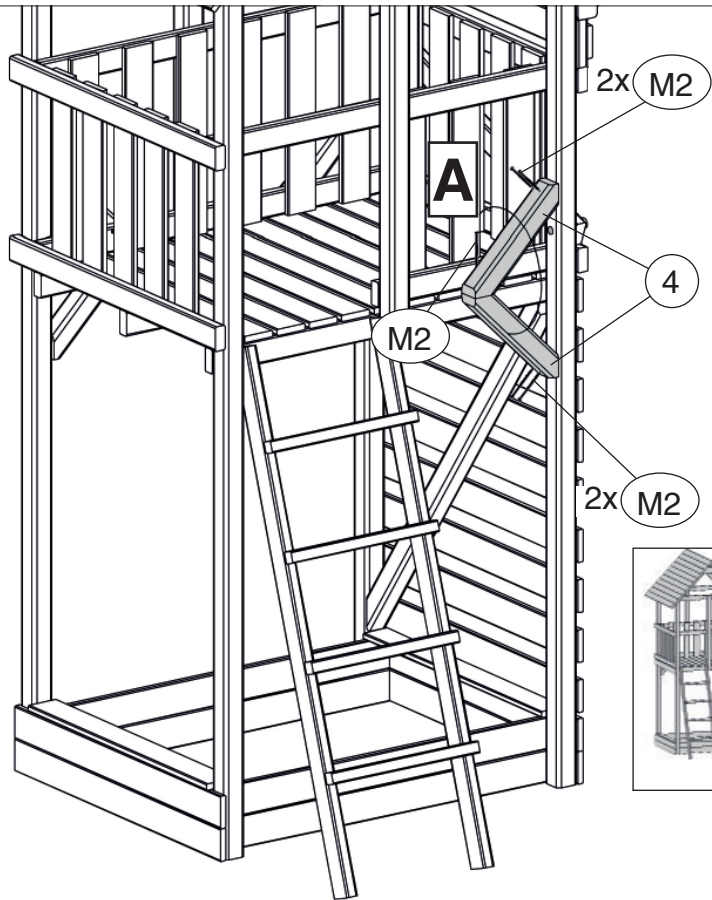
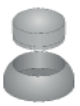





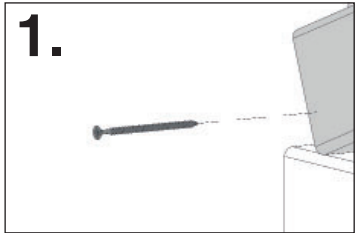
Abbildung VARIA 1R

1

| | |
|---|-------------|
|  | M7 |
|  | M1 6,0 x 60 |

| | |
|---|-------------|
|  | M5 24 x 8,4 |
|  | M6 |

| | |
|--|-------------|
|  | M4 M8 x 110 |
|--|-------------|



816.1102.00.03
+ 816.4001.00.0x

VARIA 2

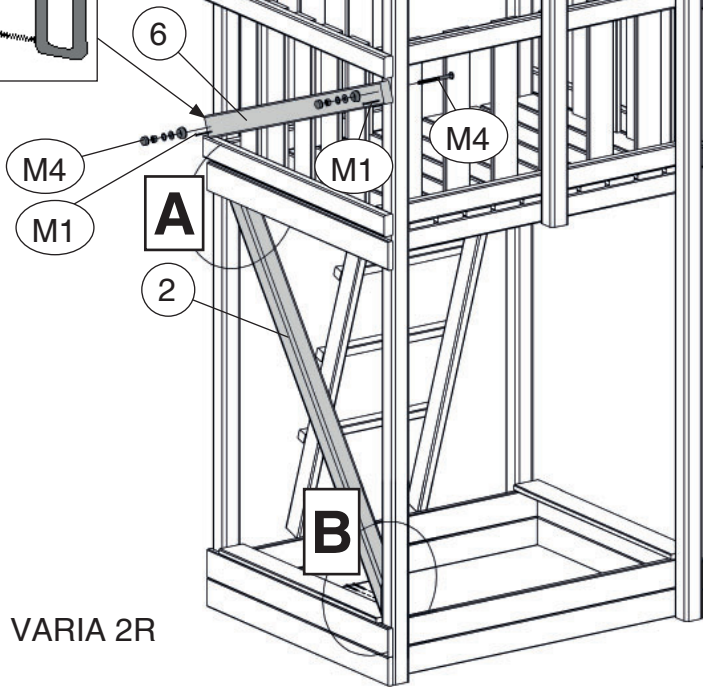
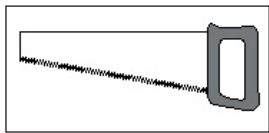
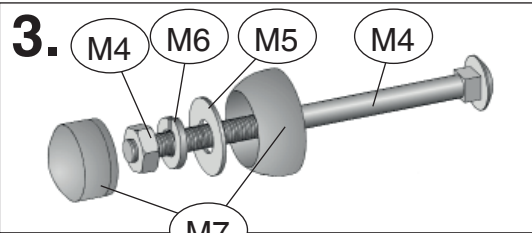
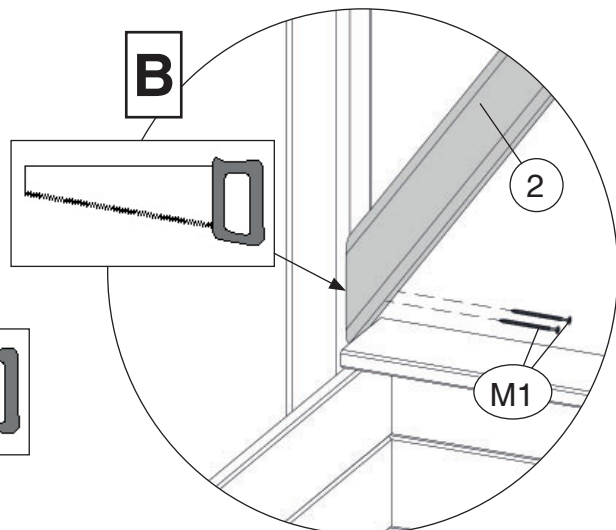
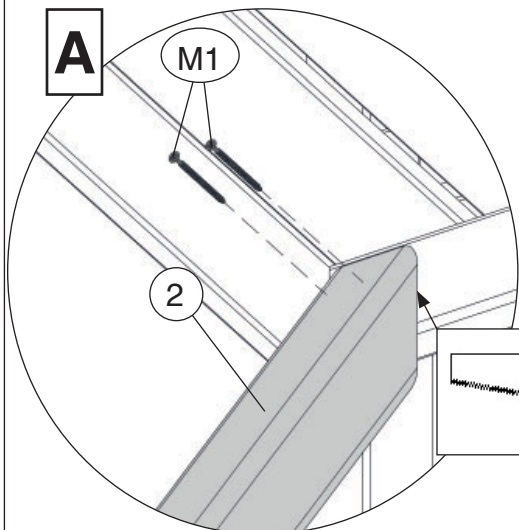
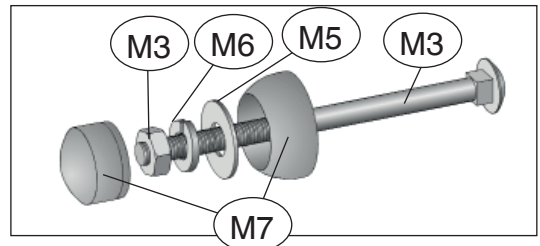
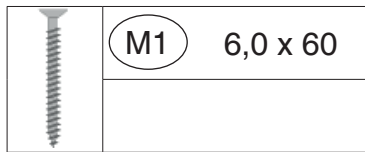
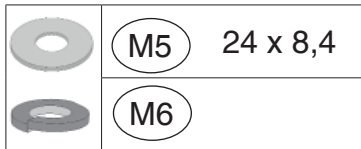


Abbildung VARIA 2R

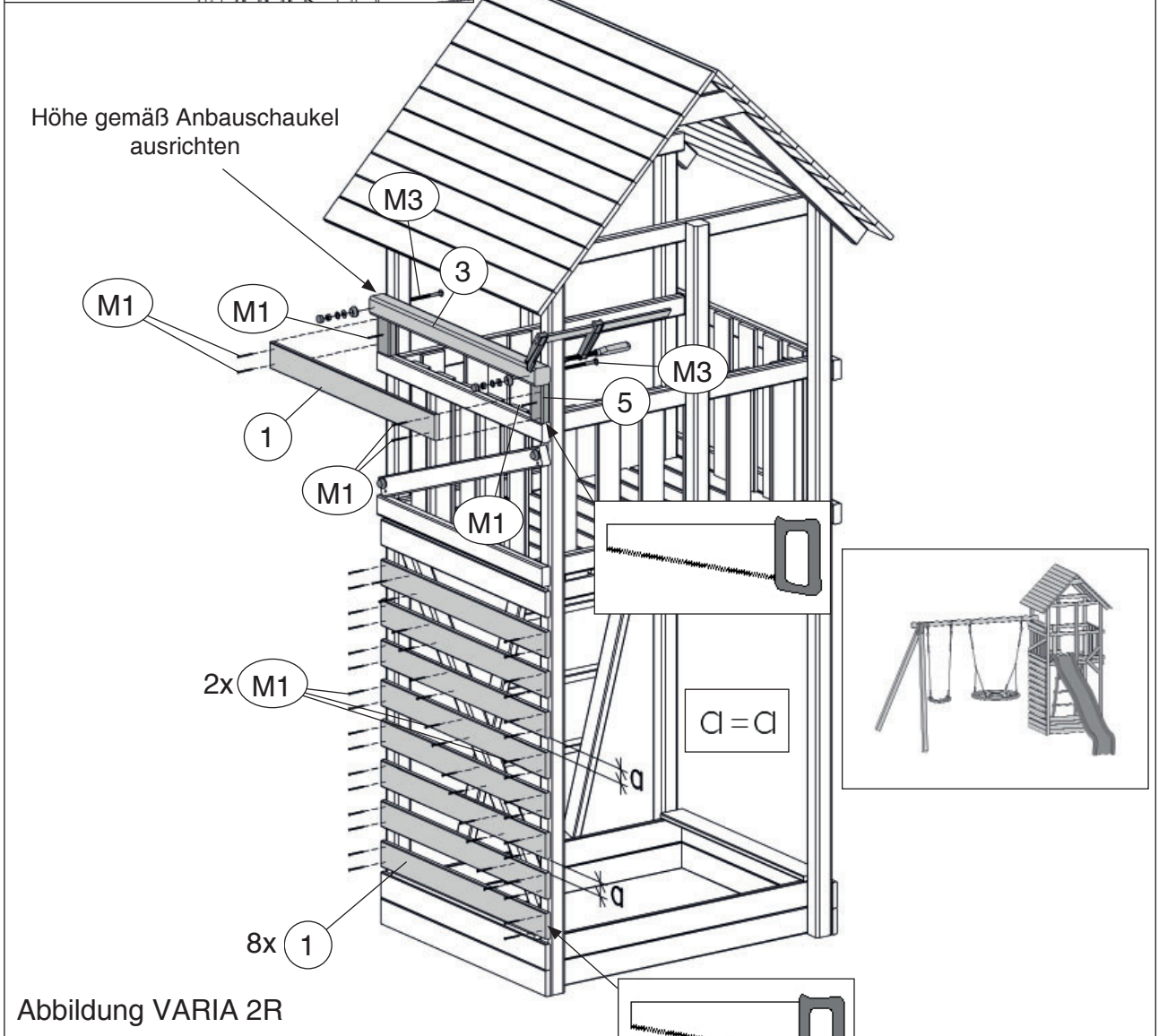
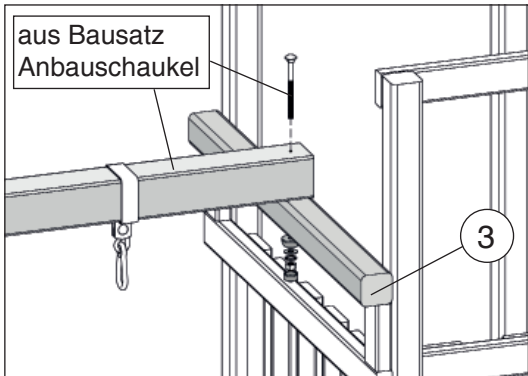


2





816.1102.00.03
+ 816.4001.00.0x

VARIA 2



3

| | | |
|---|----|-----------|
|  | M1 | 6,0 x 60 |
|  | M2 | 5,0 x 120 |

816.1102.00.03
+ 816.4001.00.0x

VARIA 2

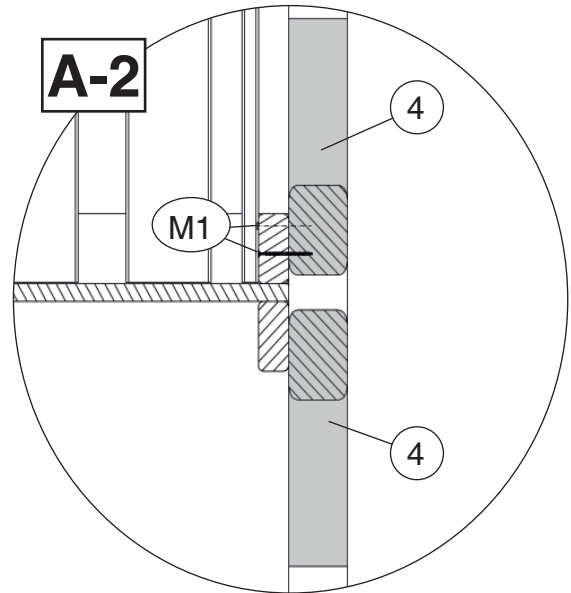
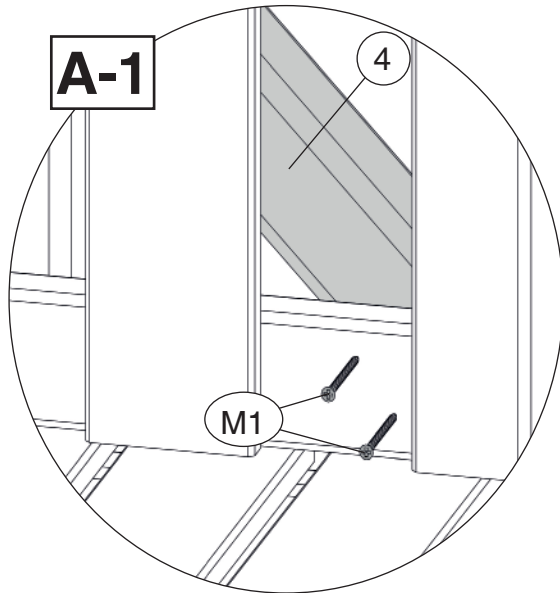
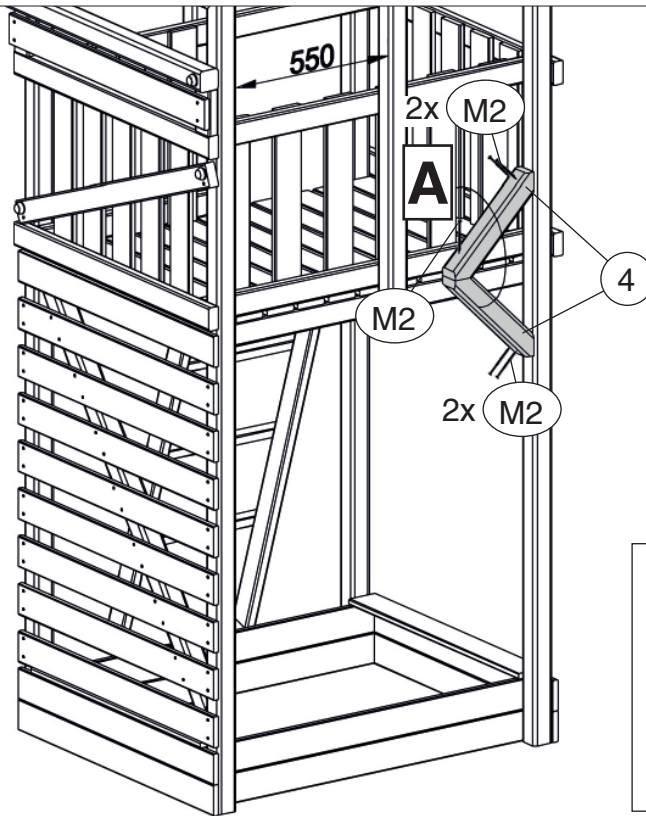




Abbildung VARIA 2R

4

| | | |
|---|----|-----------|
|  | M1 | 6,0 x 60 |
|  | M2 | 5,0 x 120 |

816.1102.00.03
+ 816.4001.00.0x

VARIA 2

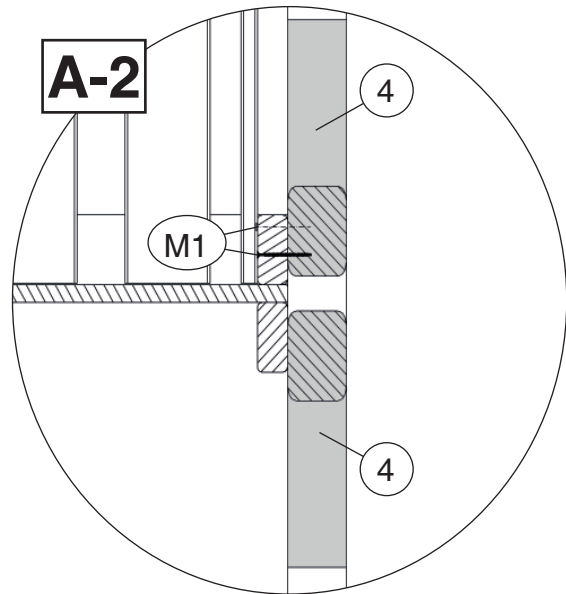
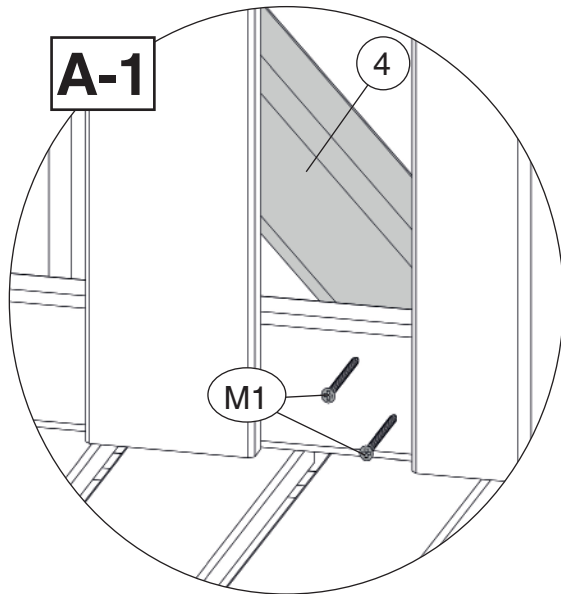
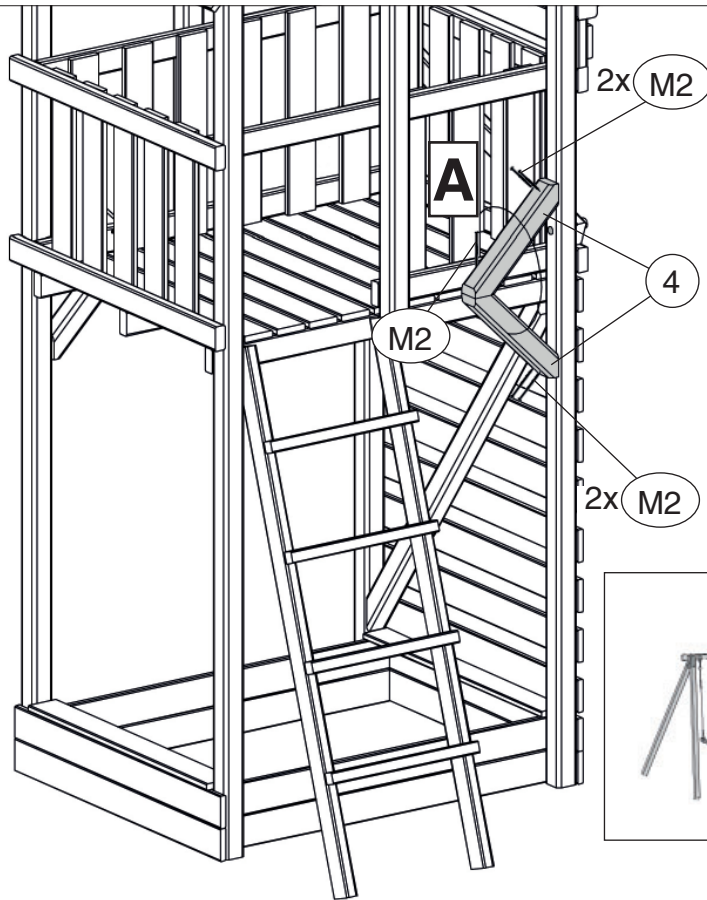


Abbildung VARIA 2R

5

816.1102.00.03
+ 816.4001.00.0x

VARIA 2

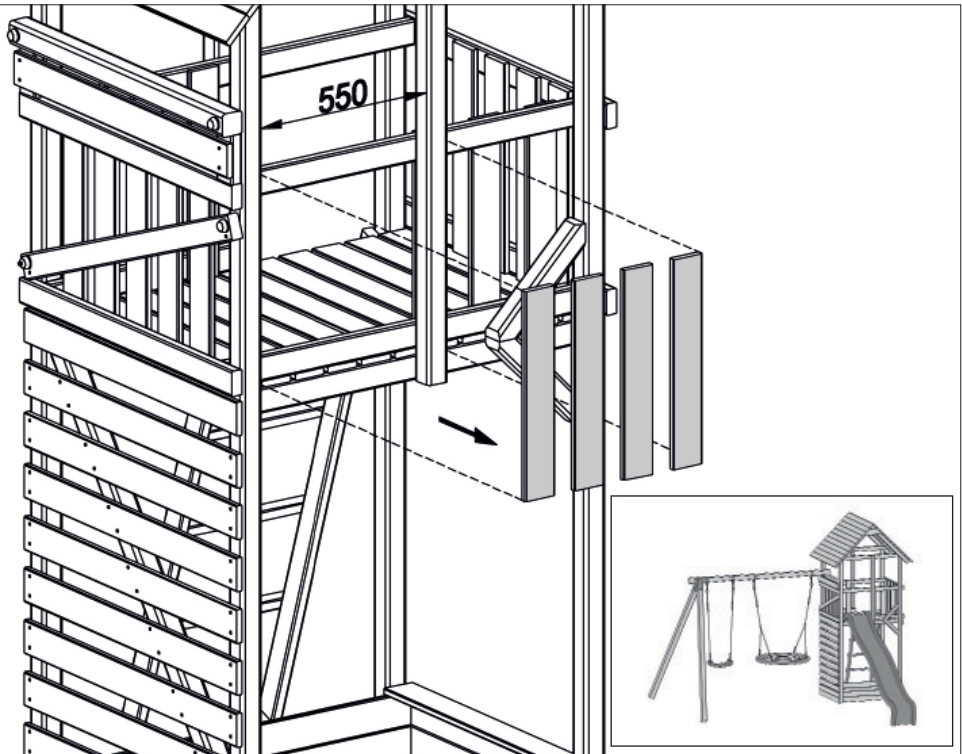


Abbildung VARIA 2R

6

816.1102.00.03
+ 816.4001.00.0x

VARIA 2

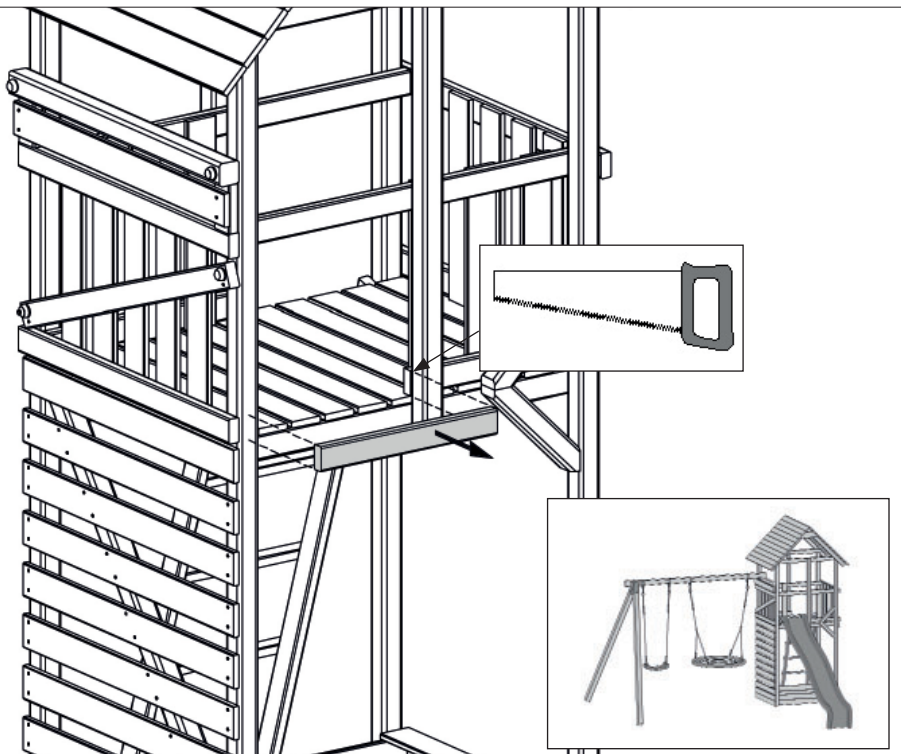



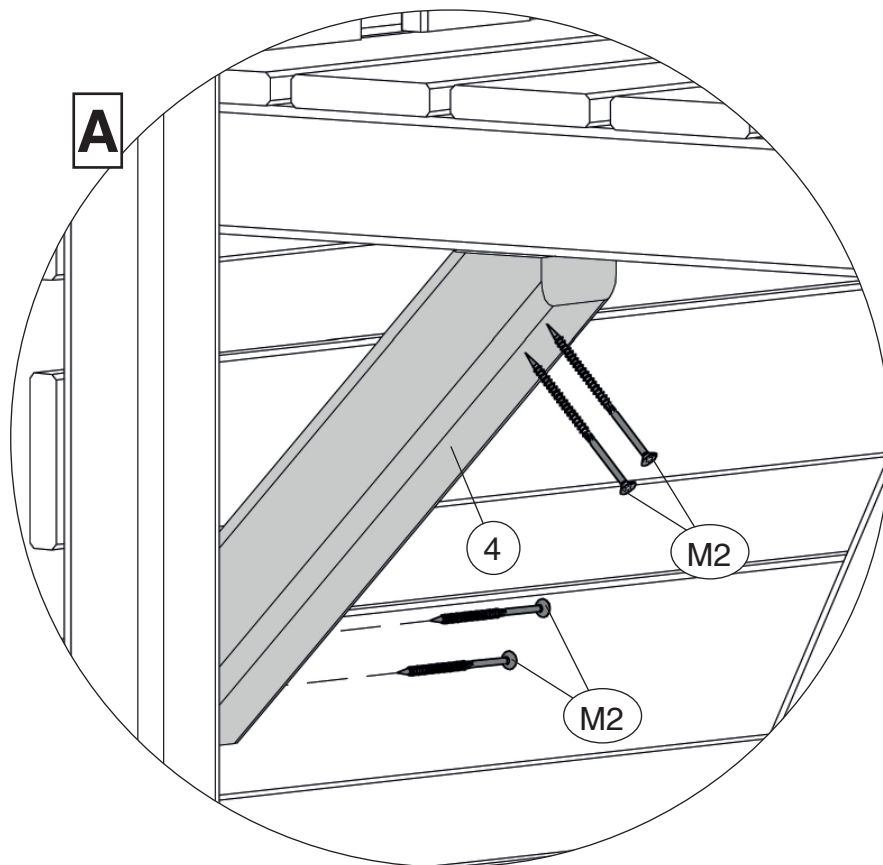
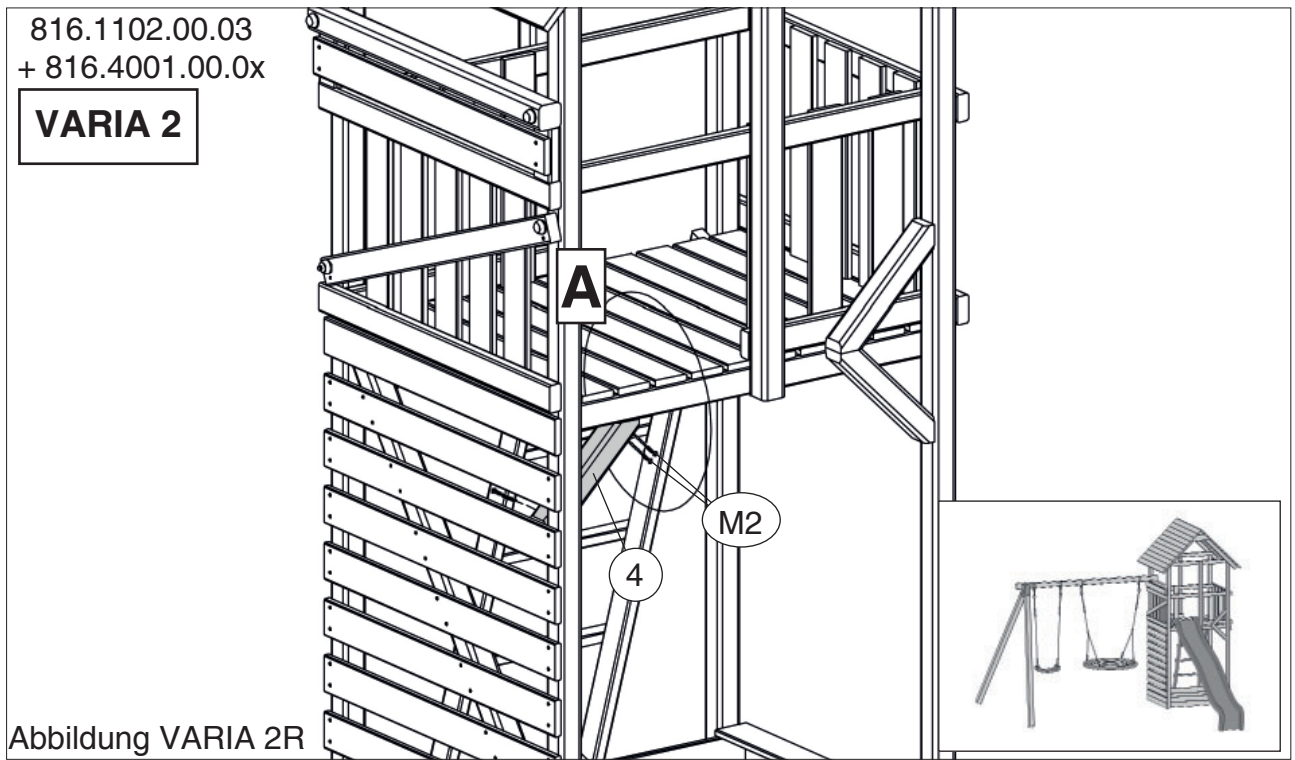
Abbildung VARIA 2R

7

| | |
|--|--------------|
|  | M2 5,0 x 120 |
|--|--------------|

816.1102.00.03
+ 816.4001.00.0x

VARIA 2



8

816.1102.00.03
+ 816.4001.00.0x

VARIA 2

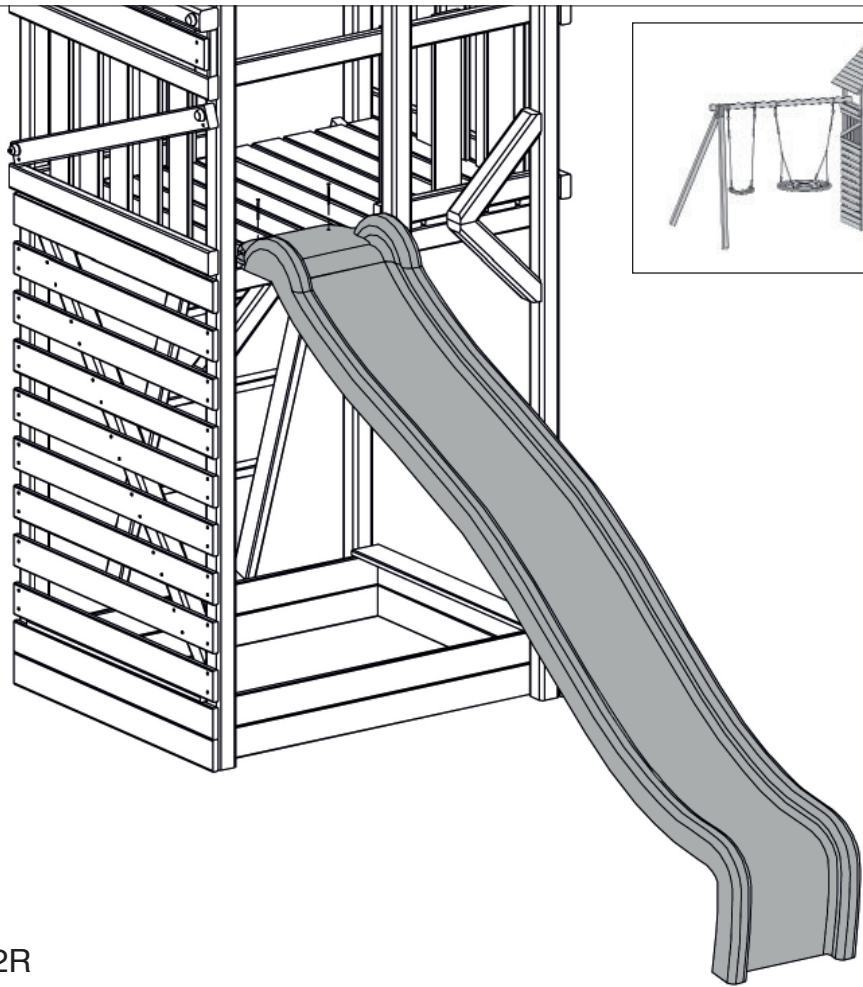
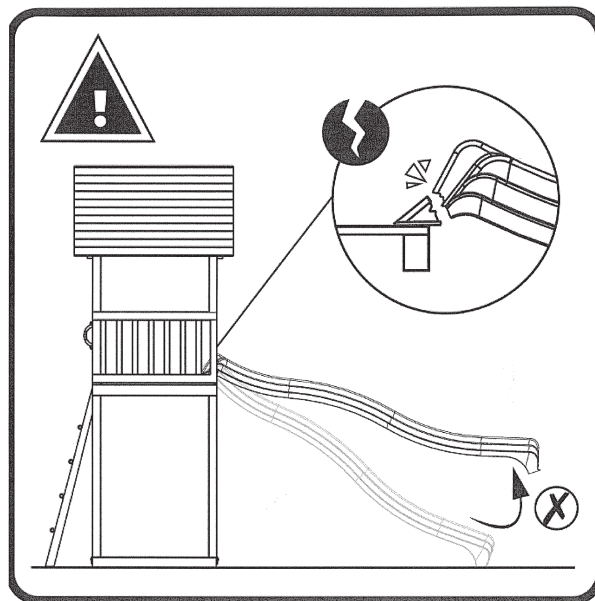






Abbildung VARIA 2R

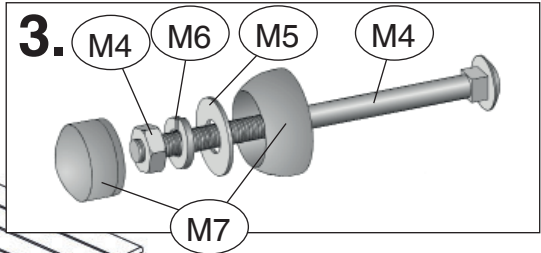
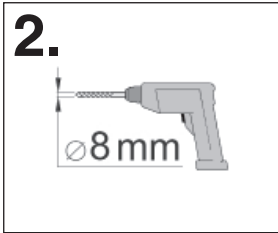
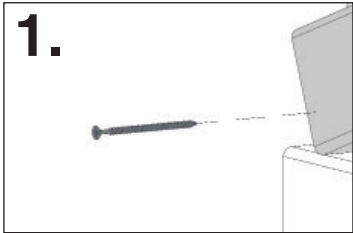


1

| | |
|---|-------------|
|  | M7 |
|  | M1 6,0 x 60 |

| | |
|---|-------------|
|  | M5 24 x 8,4 |
|  | M6 |

| | |
|--|-------------|
|  | M4 M8 x 110 |
|--|-------------|



816.1001.00.12

VARIA 1

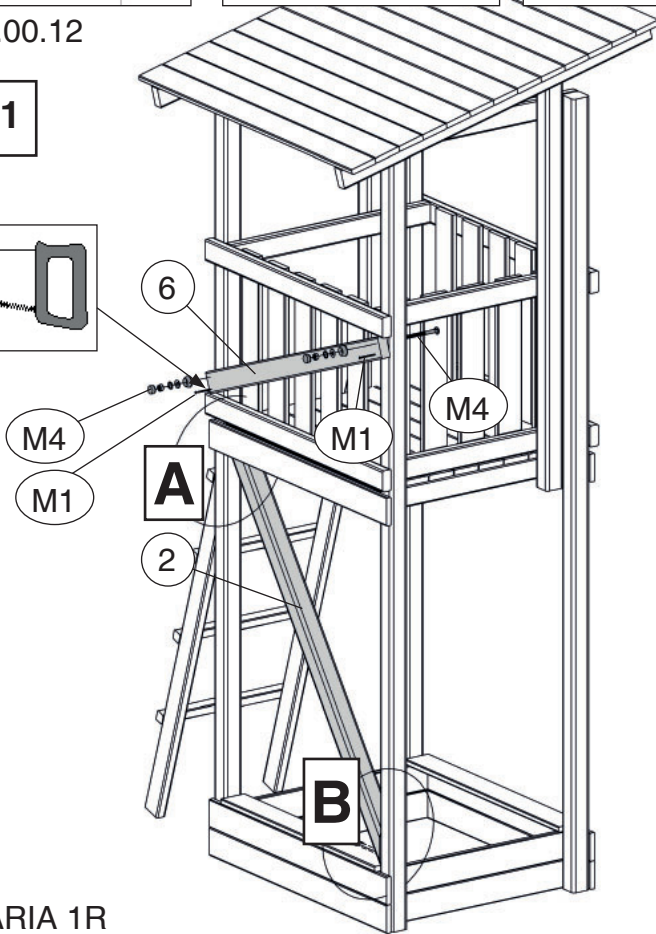
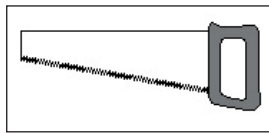
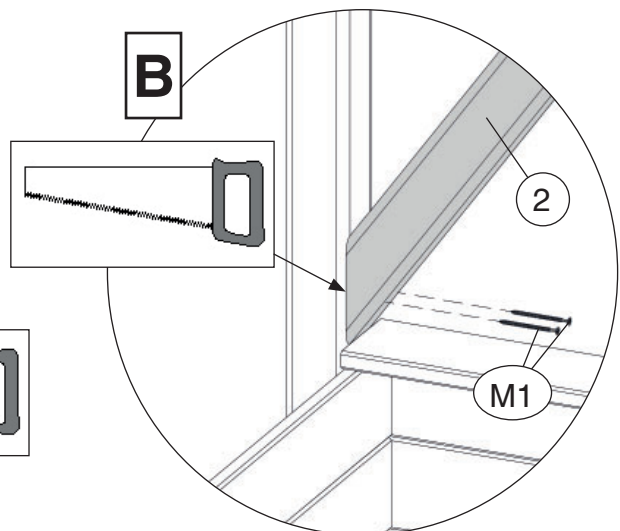
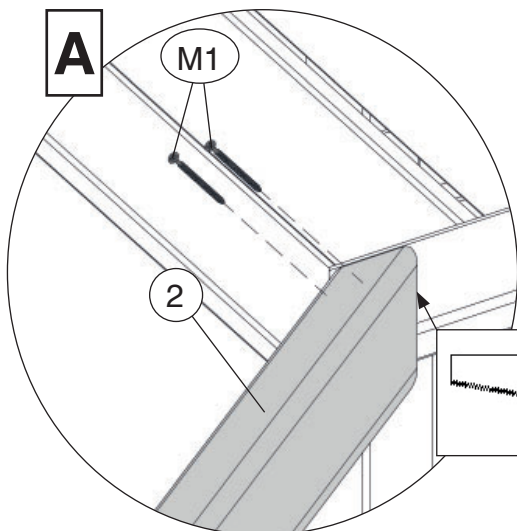
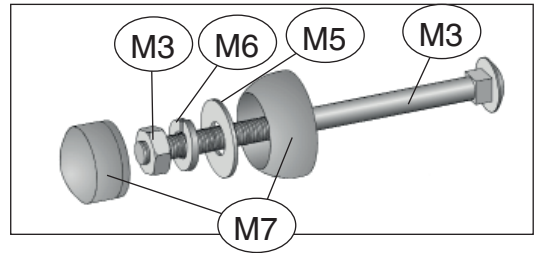
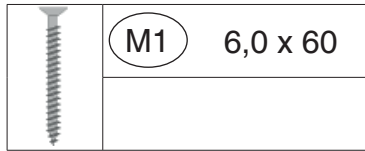
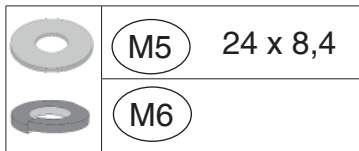


Abbildung VARIA 1R



2



816.1001.00.12

VARIA 1

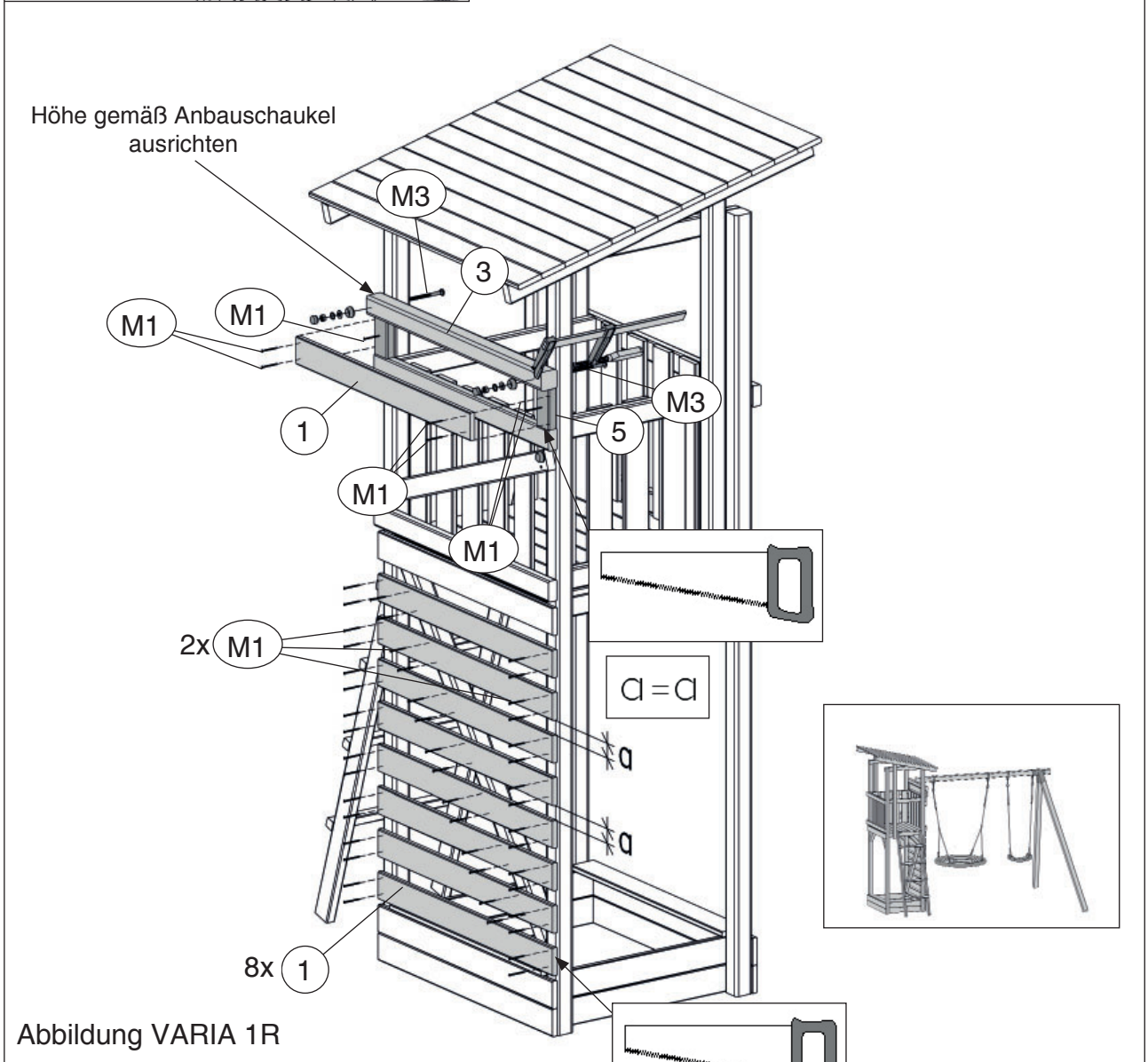
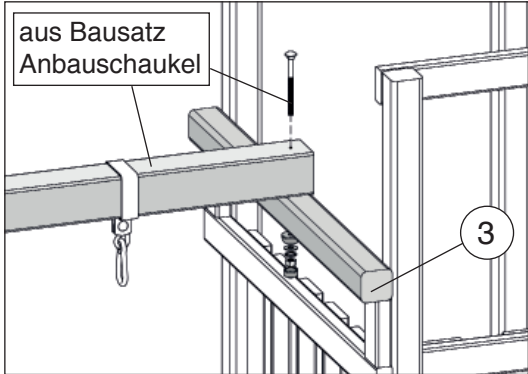


Abbildung VARIA 1R

3

| | | |
|---|-----------|-----------------|
|  | M2 | M8 x 150 |
|---|-----------|-----------------|

816.1001.00.12

VARIA 1

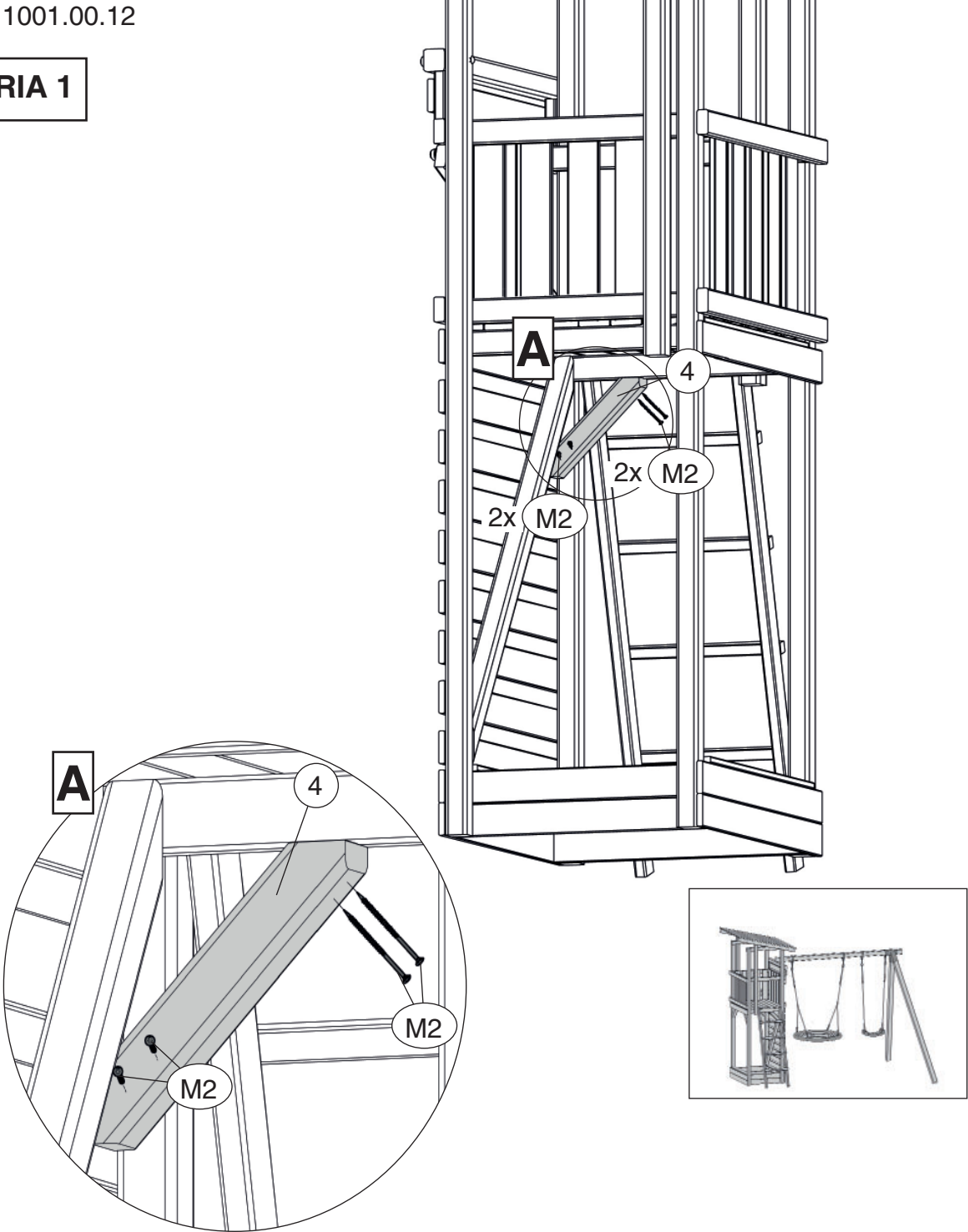



Abbildung VARIA 1R

4

| | | |
|---|----|-----------|
|  | M1 | 6,0 x 60 |
| | M2 | 5,0 x 120 |

816.1001.00.12

VARIA 1

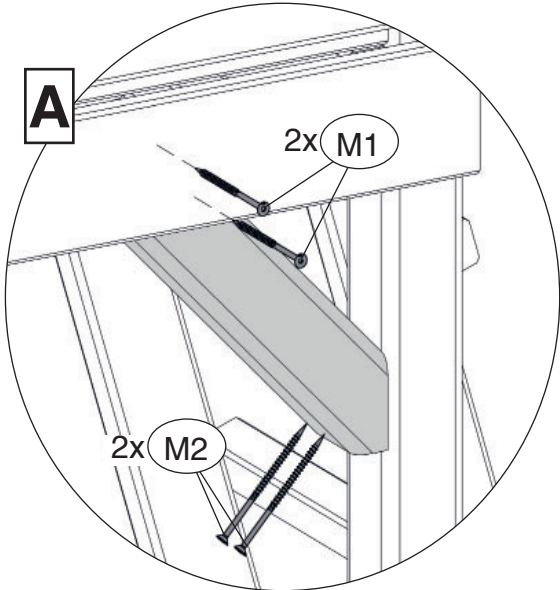
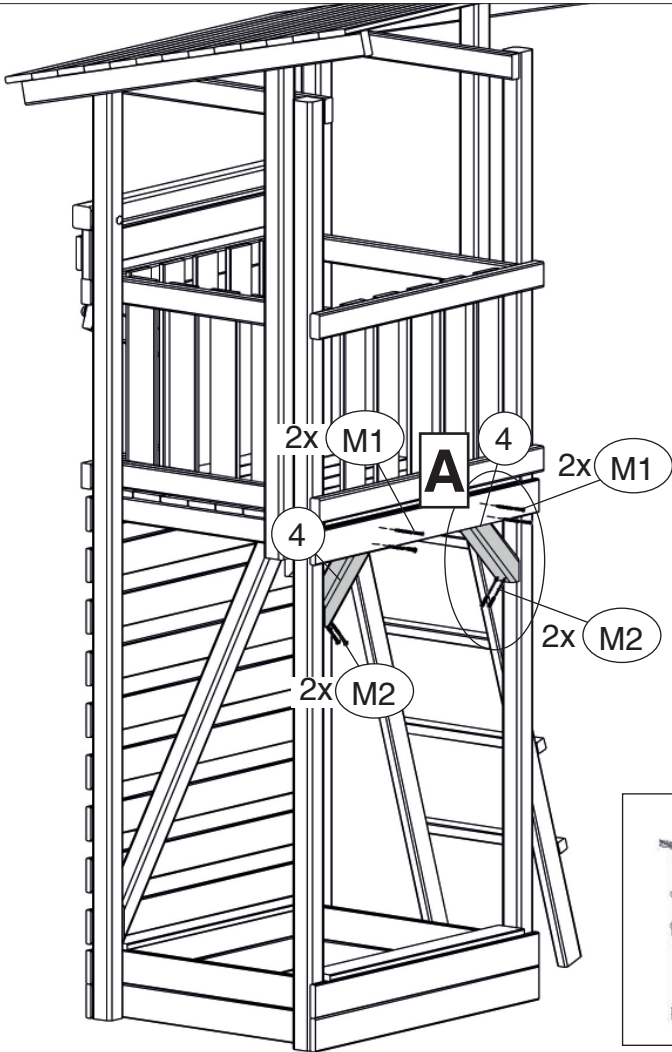



Abbildung VARIA 1R

5

| | | |
|---|----|-----------|
|  | M1 | 6,0 x 60 |
| | M2 | 5,0 x 120 |

816.1001.00.12

VARIA 1

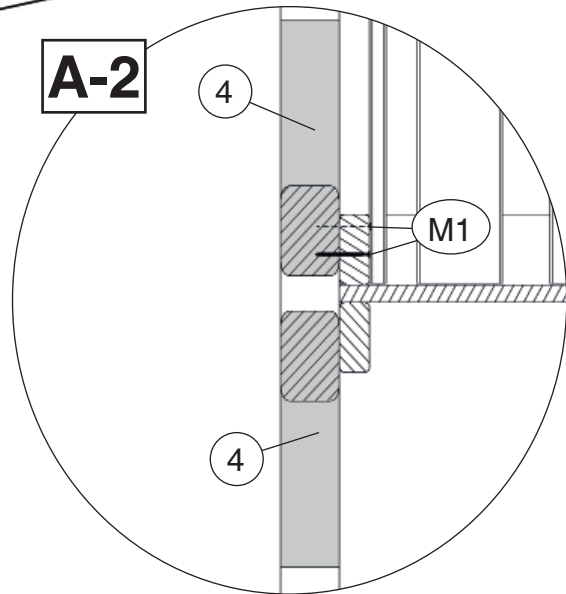
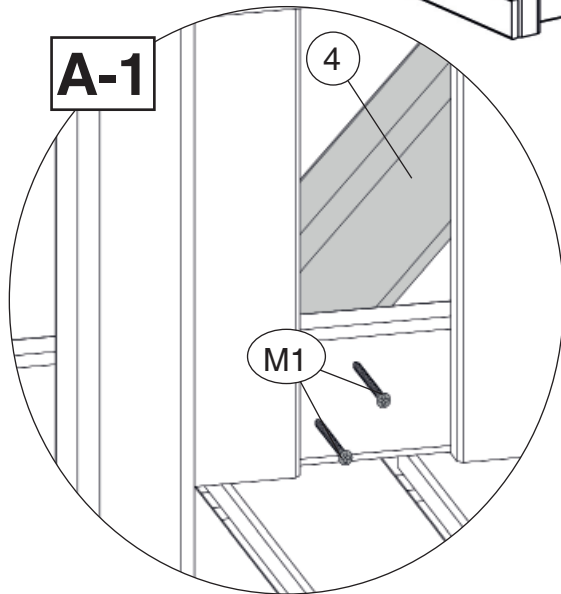
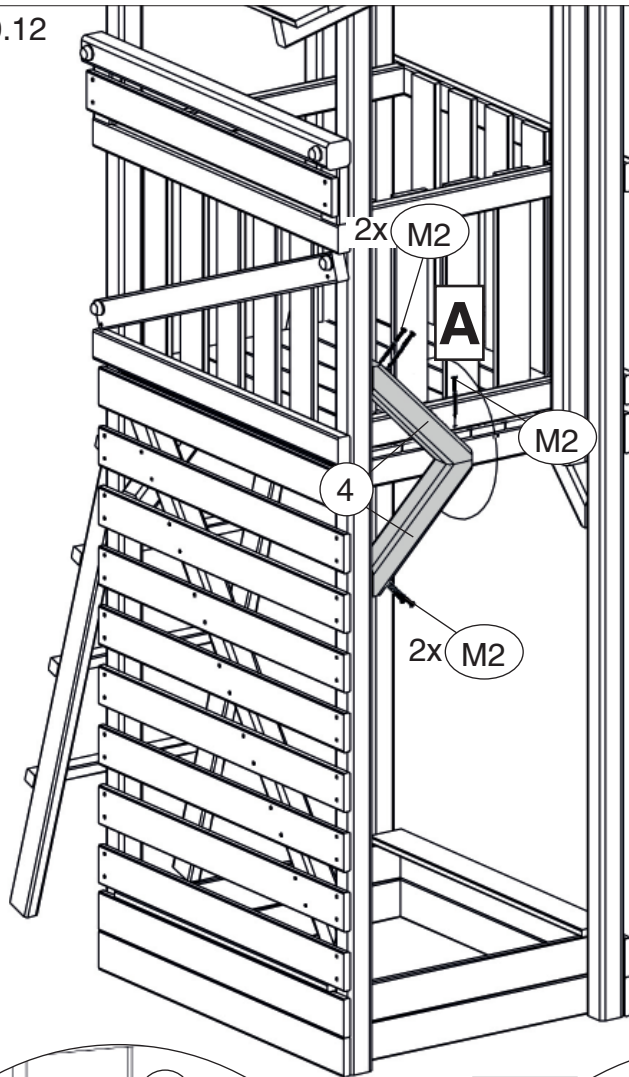






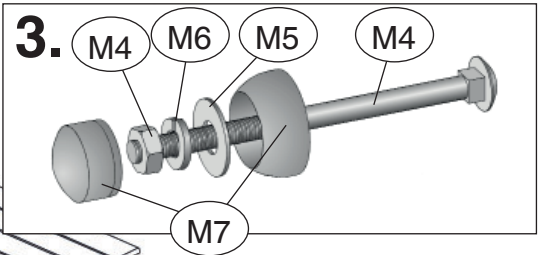
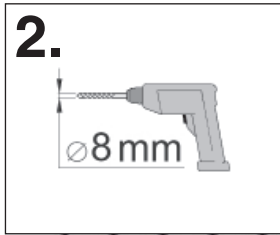
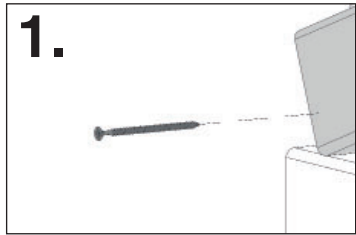
Abbildung VARIA 1R

1

| | |
|---|-------------|
|  | M7 |
|  | M1 6,0 x 60 |

| | |
|---|-------------|
|  | M5 24 x 8,4 |
|  | M6 |

| | |
|--|-------------|
|  | M4 M8 x 110 |
|--|-------------|



816.1001.00.12
+ 816.4001.00.0x

VARIA 2

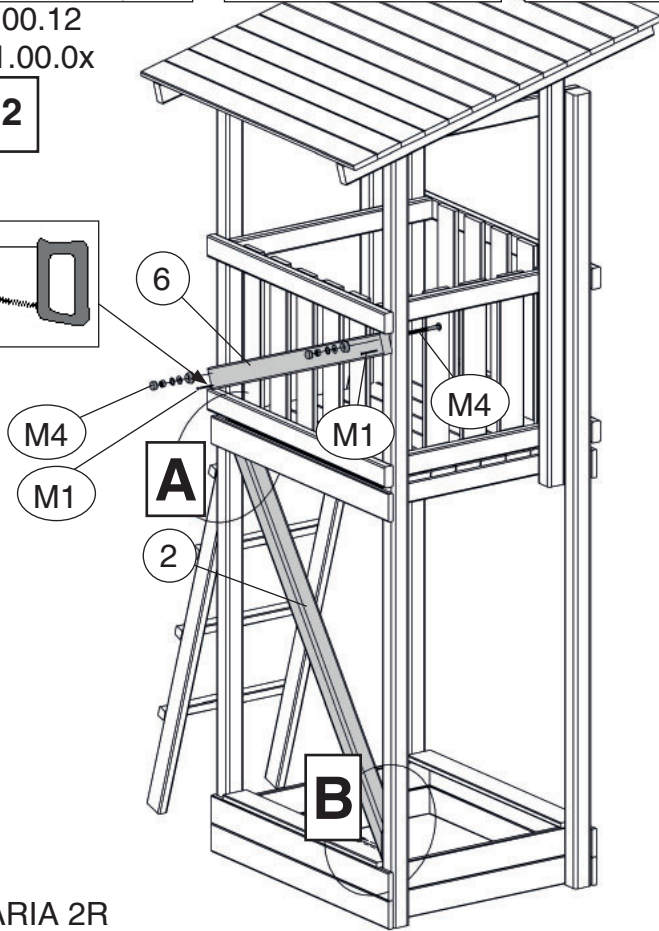
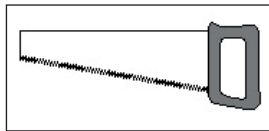
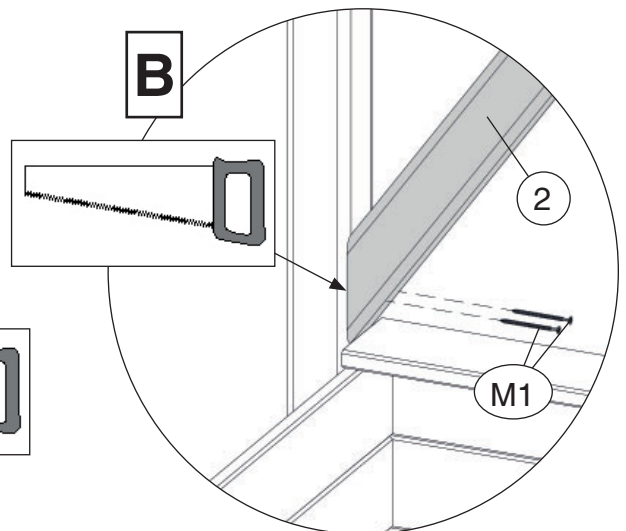
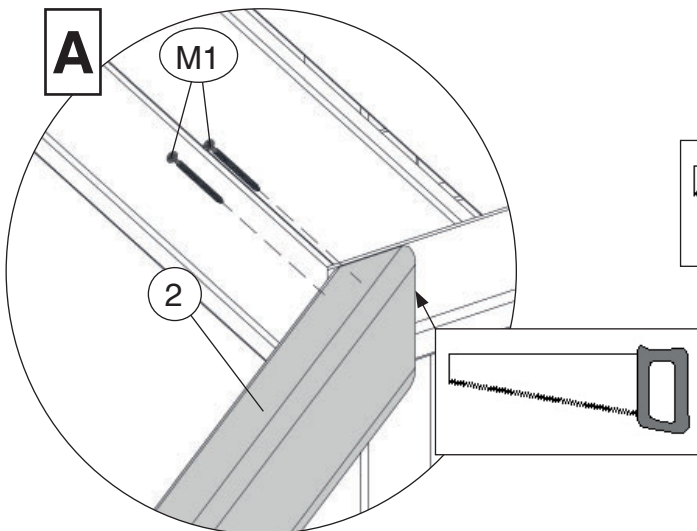
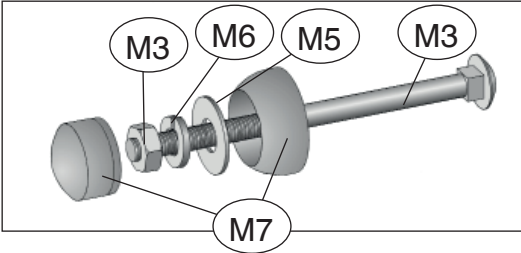


Abbildung VARIA 2R



2



816.1001.00.12
+ 816.4001.00.0x

VARIA 2

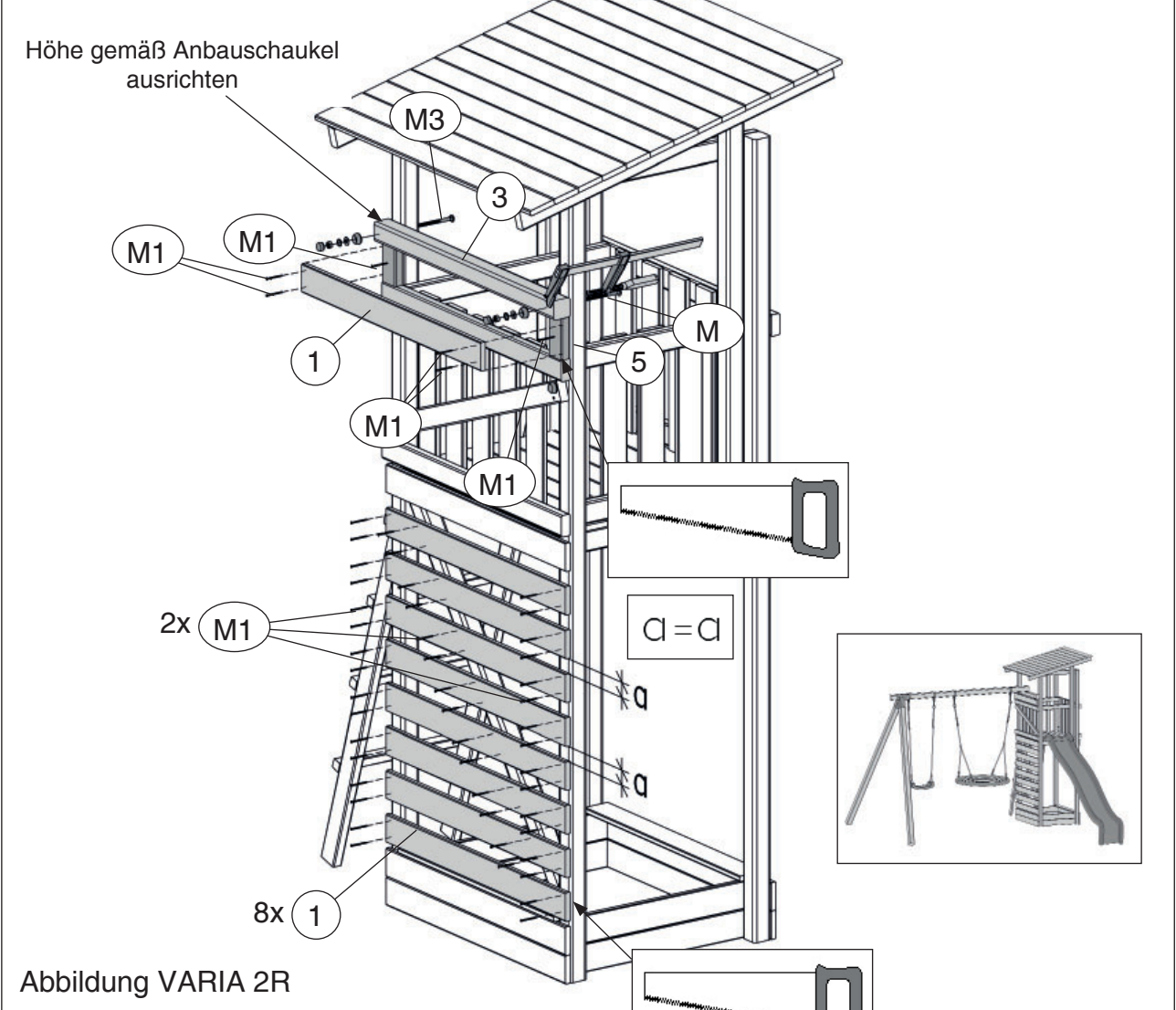
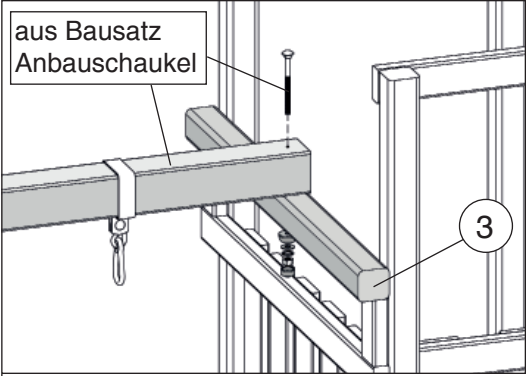



Abbildung VARIA 2R

3

| | | |
|---|----|-----------|
|  | M2 | 5,0 x 120 |
|---|----|-----------|

816.1001.00.12
+ 816.4001.00.0x

VARIA 2

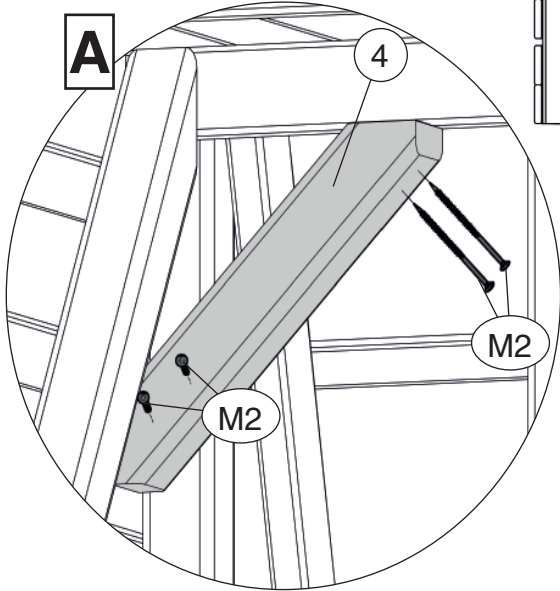
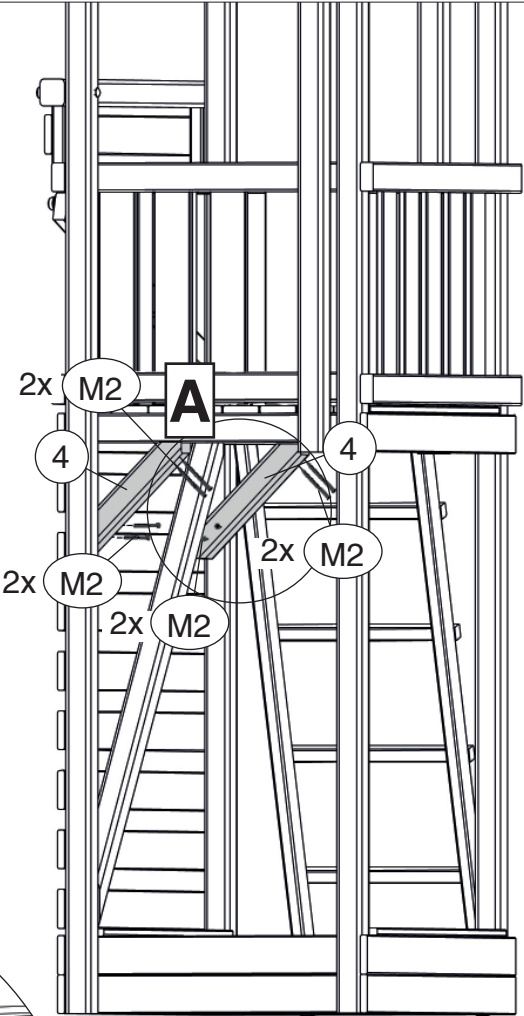




Abbildung VARIA 2R

4

| | | |
|---|----|-----------|
|  | M1 | 6,0 x 60 |
|  | M2 | 5,0 x 120 |

816.1001.00.12
+ 816.4001.00.0x

VARIA 2

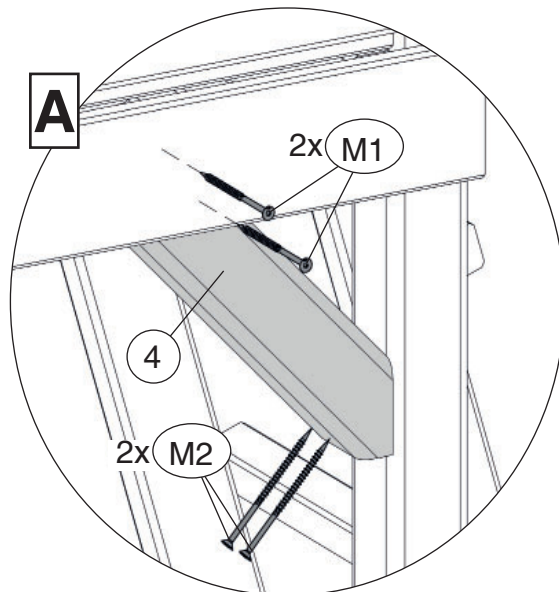
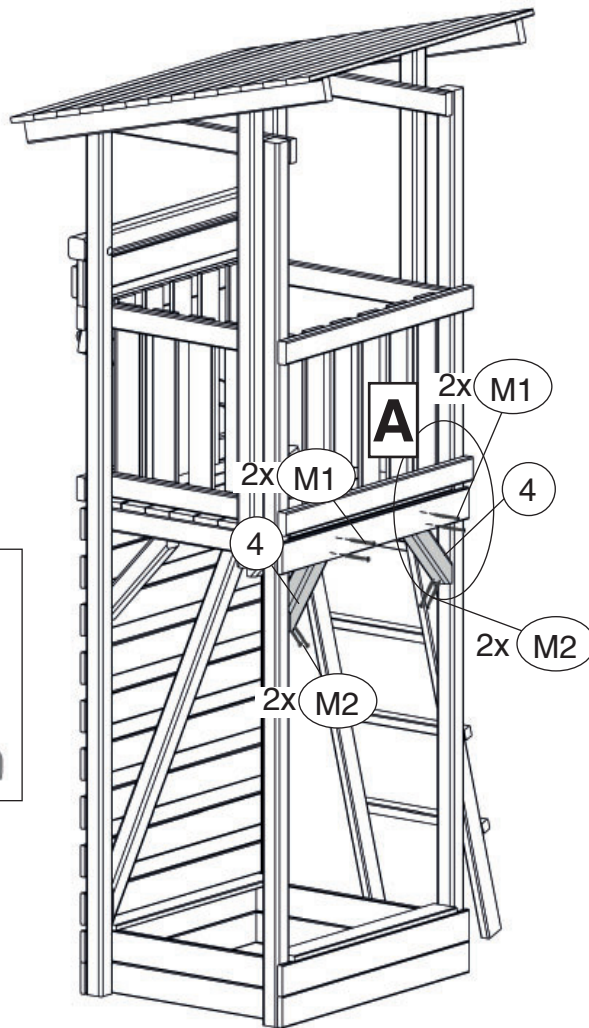


Abbildung VARIA 2R

5

816.1001.00.12
+ 816.4001.00.0x

VARIA 2

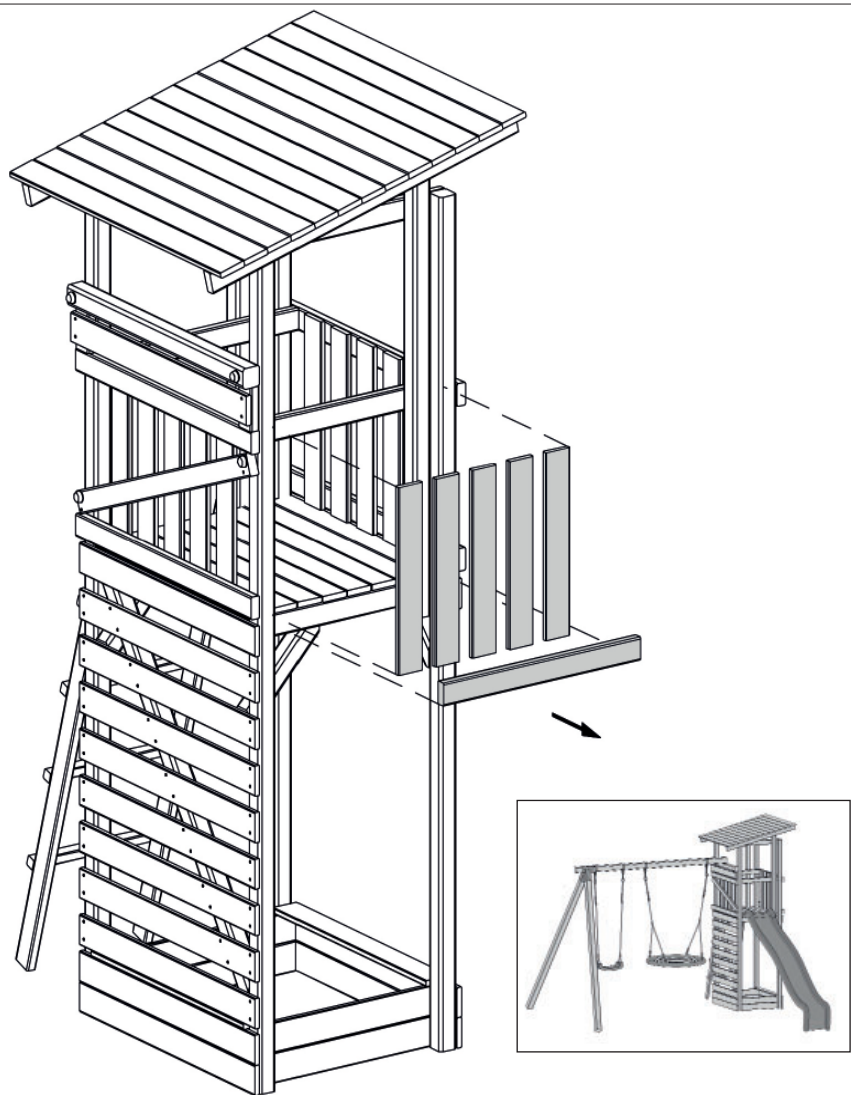


Abbildung VARIA 2R

6

816.1001.00.12
+ 816.4001.00.0x

VARIA 2

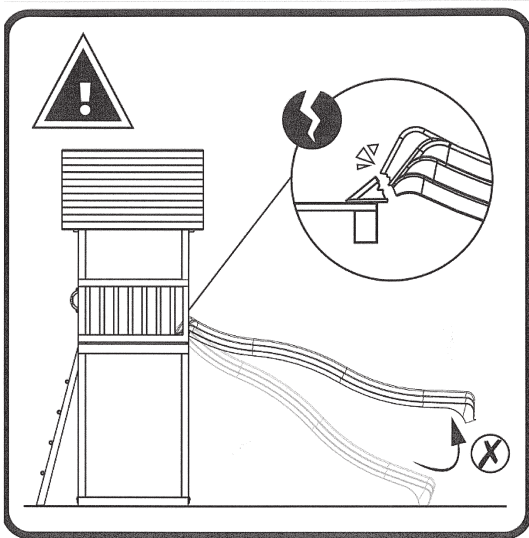
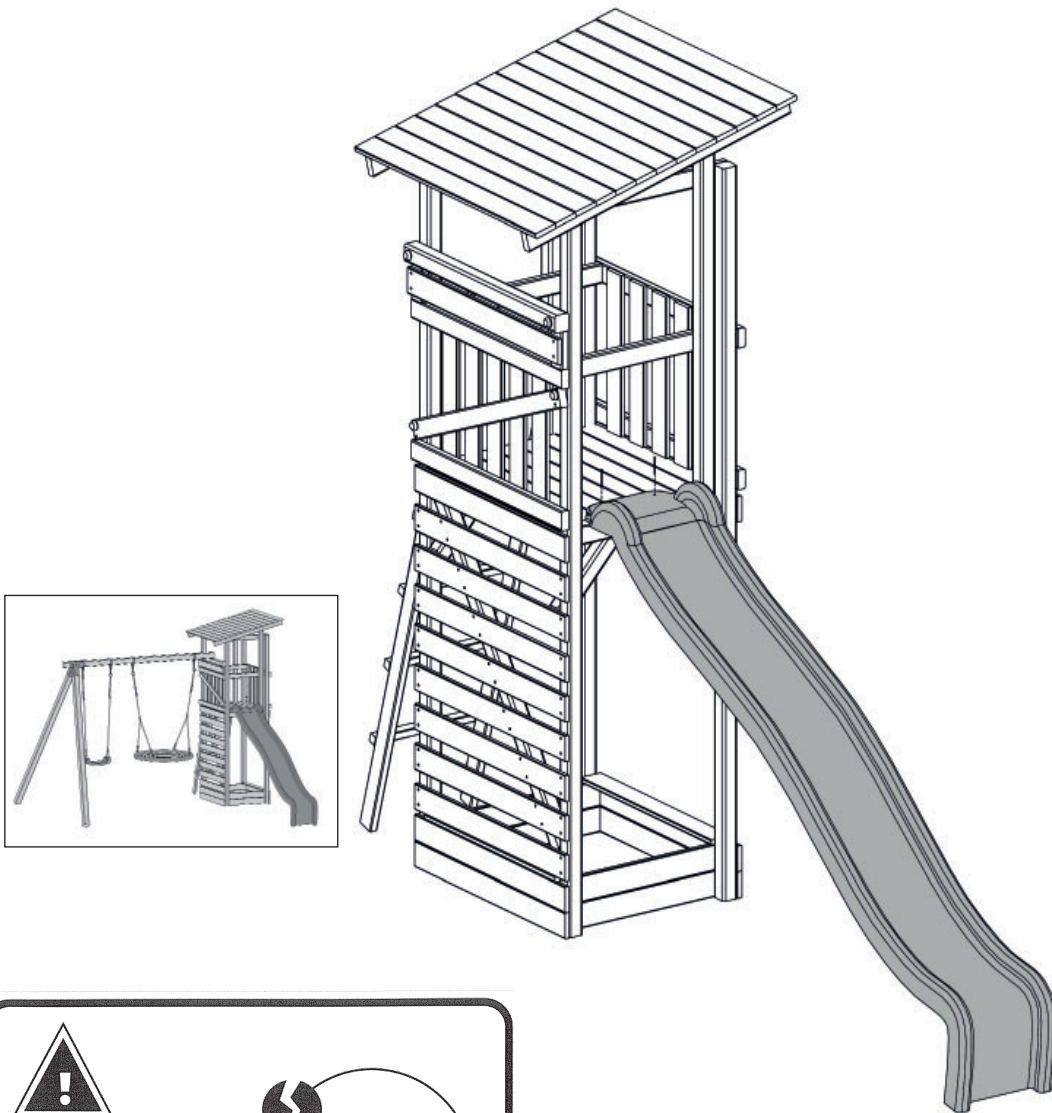


Abbildung VARIA 2R



WEKA Holzbau GmbH

Johannesstr. 16, 17034 Neubrandenburg

Tel.: +49 (0)395 42908-0

Fax: +49 (0)395 42908-83

Mail: info@weka-holzbau.com

Web: www.weka-holzbau.com

MA Art.-Nr.: 800.0286.10.15