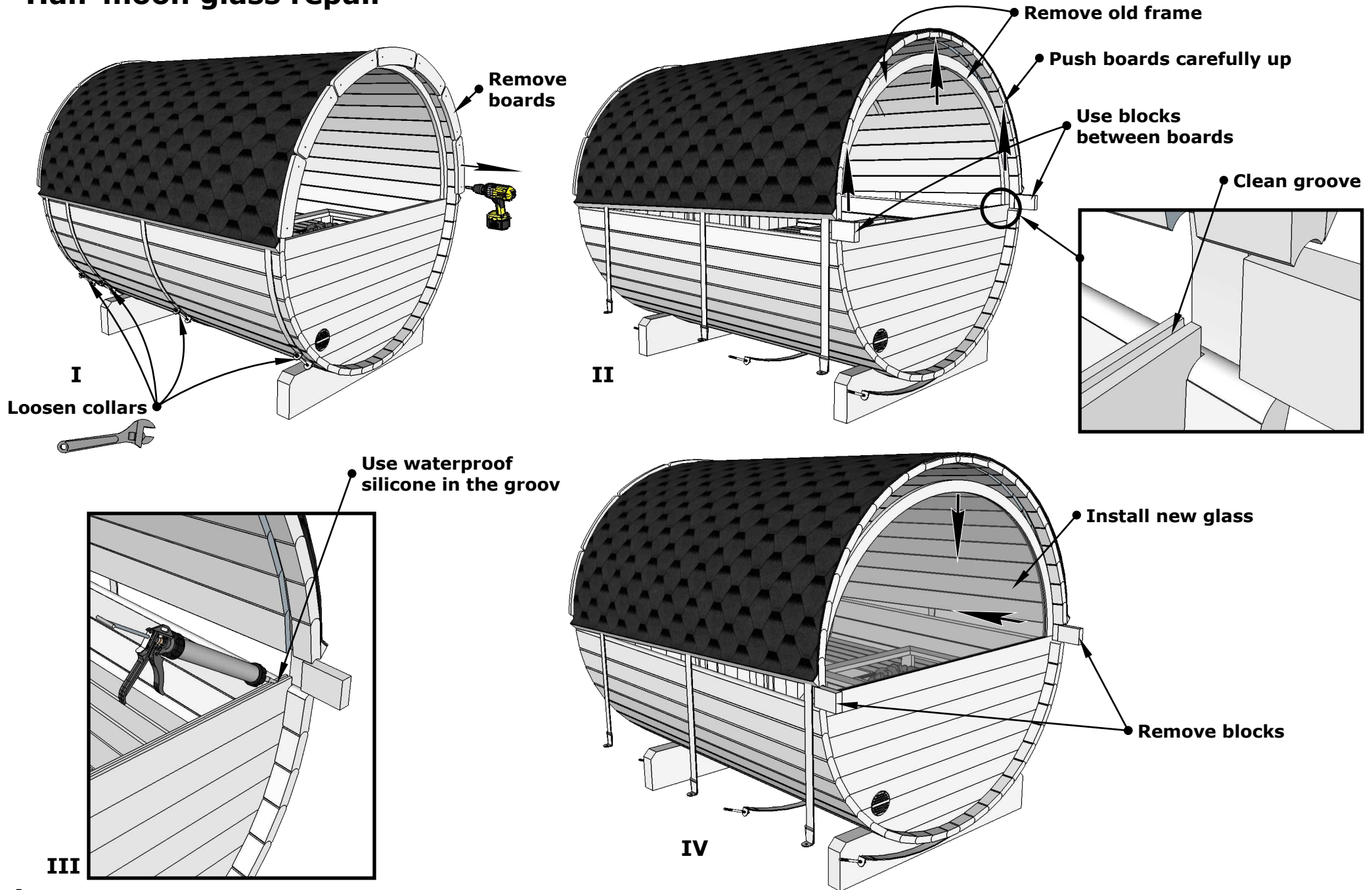
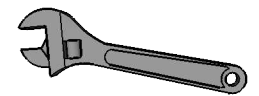
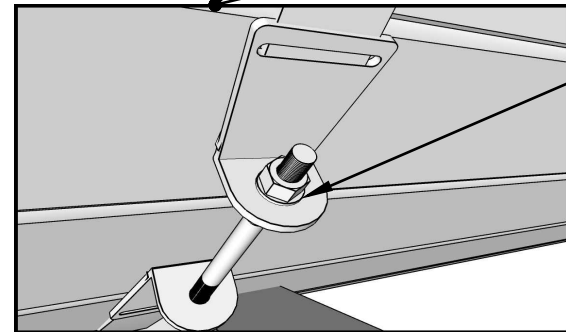
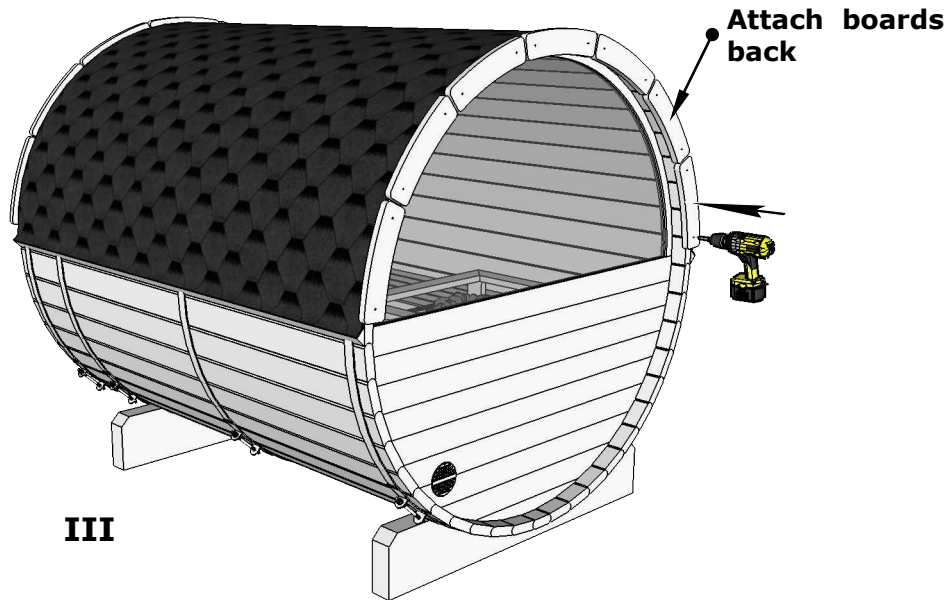
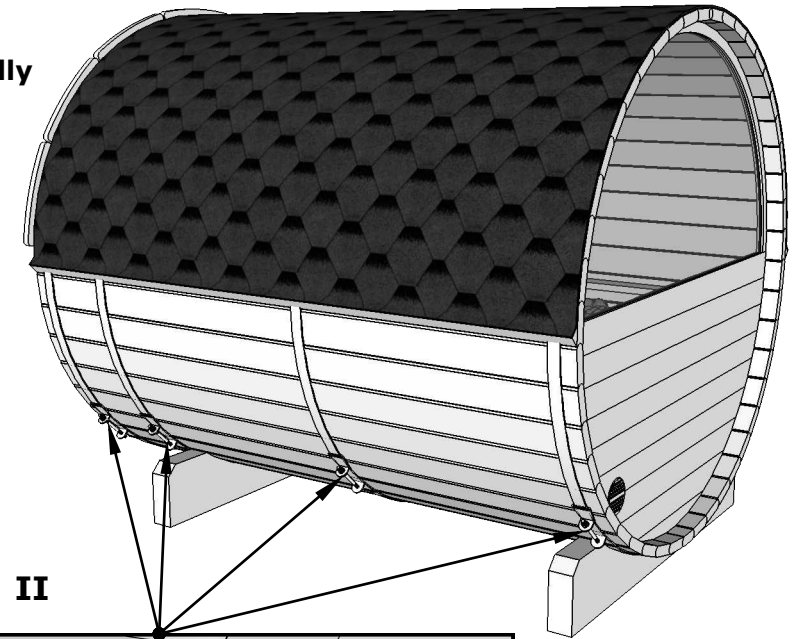
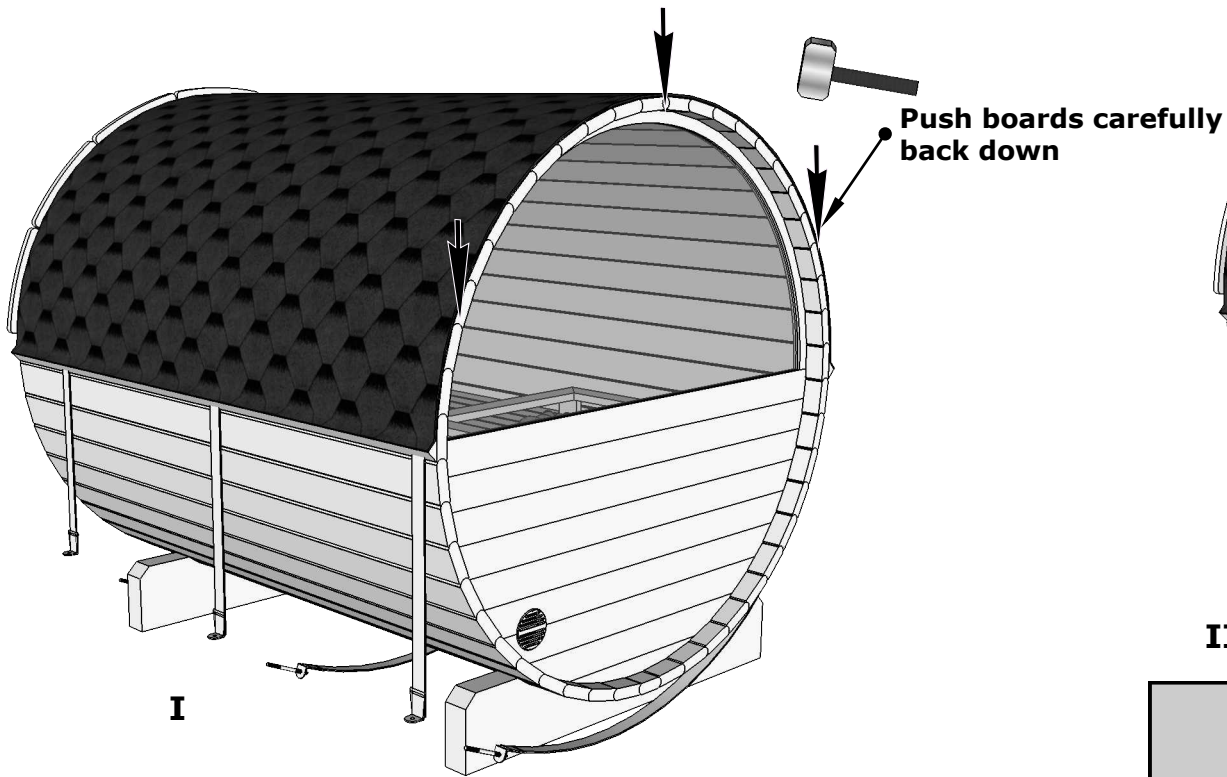


Half-moon glass repair



1.



During assembly and retightening the threaded rods, use oil (Würth HPS 1400 or similar) to avoid "cold welding" and it is also easier tightening.