

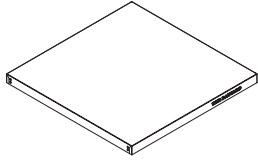
PART TWO

THE SERIOUS OUTDOOR KITCHEN

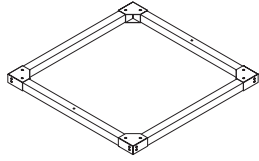
BUILDING THE SHELVES

CONTENT BSK SHelves

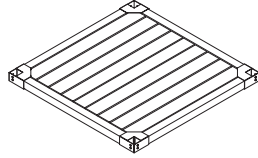
THE BASTARD
SERIOUS OUTDOOR COOKING



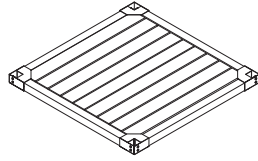
1X



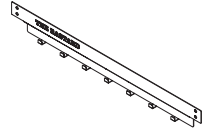
1X



1X



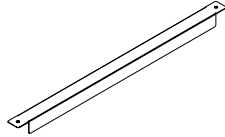
1X



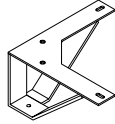
1X



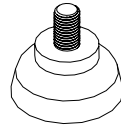
4X



1X



4X



4X



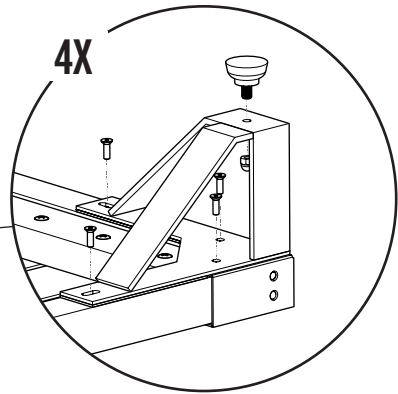
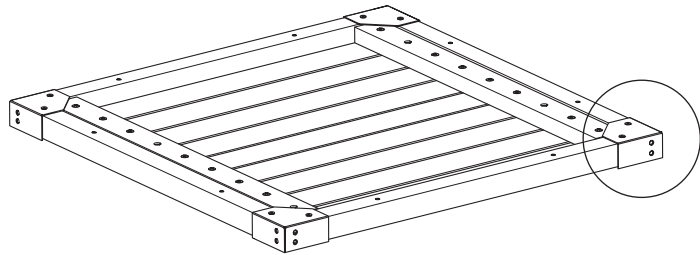
56X

BSOK 2 THE SHELVES

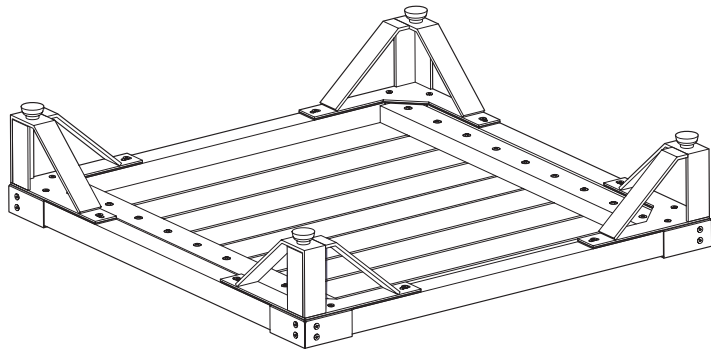
THE BASTARD
SERIOUS OUTDOOR COOKING

1

-  16X
-  4X
-  4X
-  4X



2



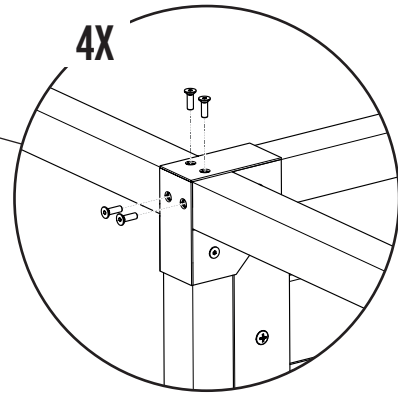
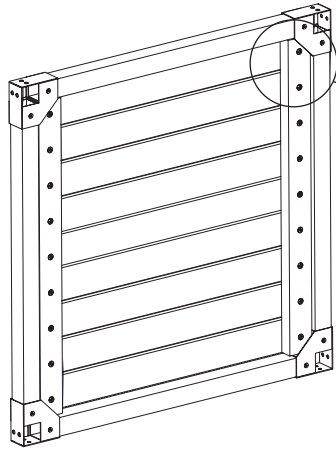
BSOK 2 THE SHELVES

THE BASTARD
SERIOUS OUTDOOR COOKING

3



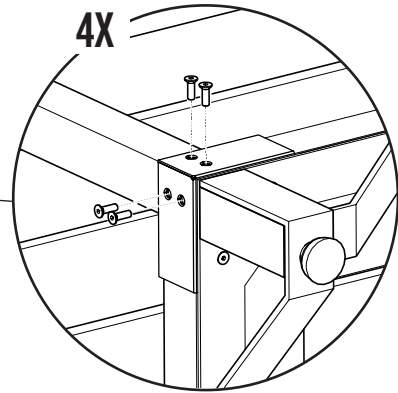
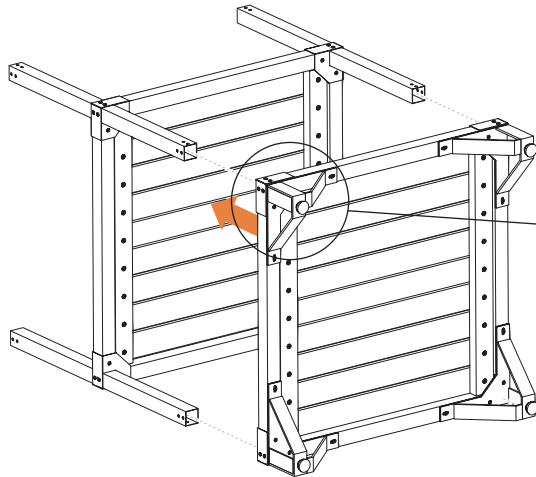
16X



4



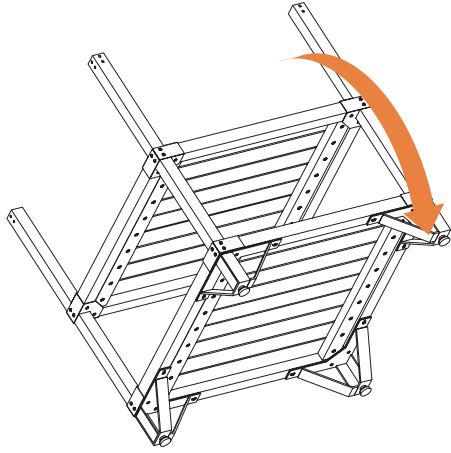
16X



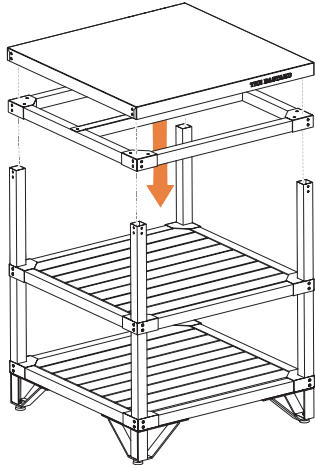
BSOK 2 THE SHELVES

THE BASTARD
SERIOUS OUTDOOR COOKING

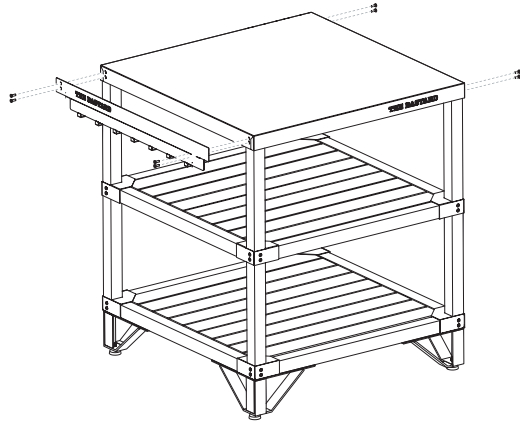
5



6



7



BSOK 2 THE SHELVES

THE BASTARD
SERIOUS OUTDOOR COOKING

