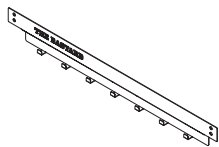


PART ONE

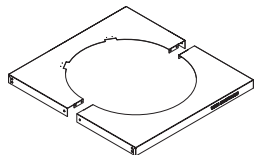
THE SERIOUS OUTDOOR KITCHEN

BUILDING THE BASE

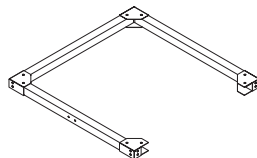
CONTENT BSK BASE



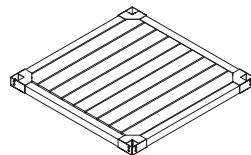
1X



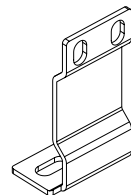
1X



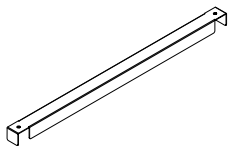
1X



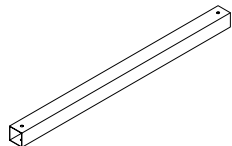
1X



2X



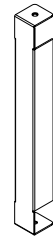
2X



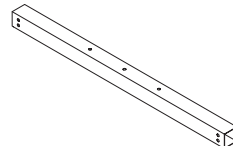
1X



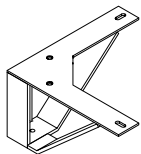
4X



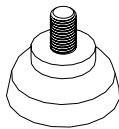
2X



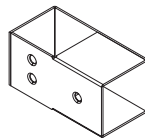
2X



4X



4X



4X



66X



4X

BSOK 1 THE BASE

THE BASTARD
SERIOUS OUTDOOR COOKING

1



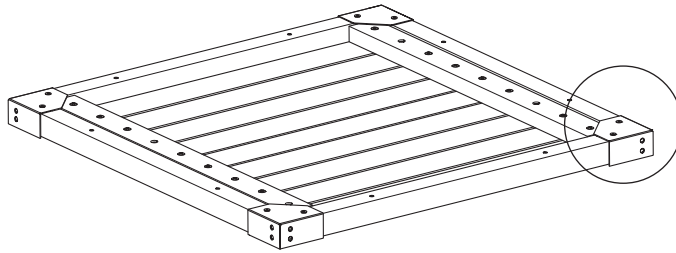
16X



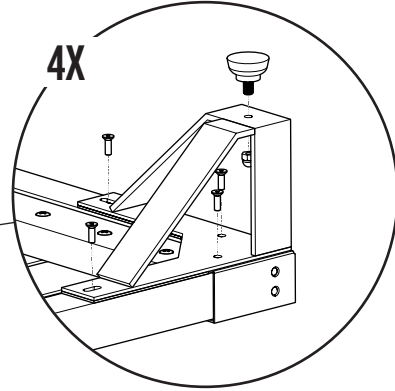
4X



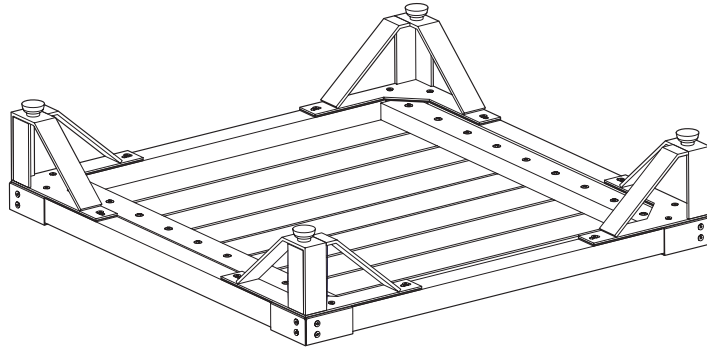
4X



4X



2



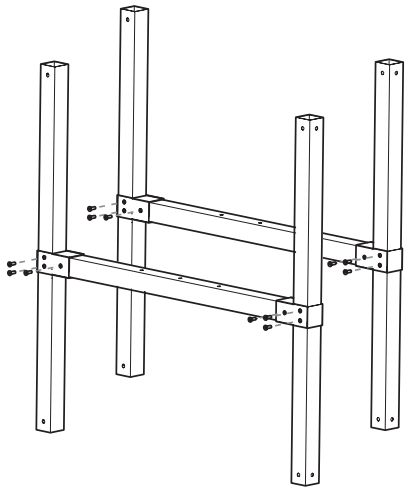
BSOK 1 THE BASE

THE BASTARD
SERIOUS OUTDOOR COOKING

3



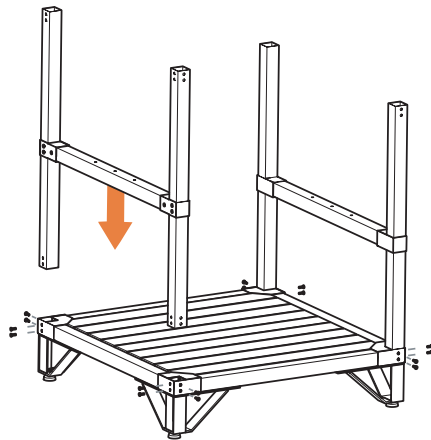
12X



4



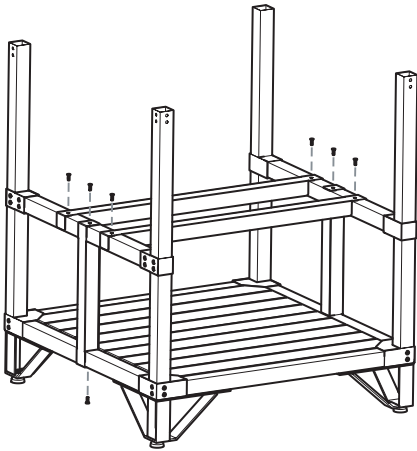
16X



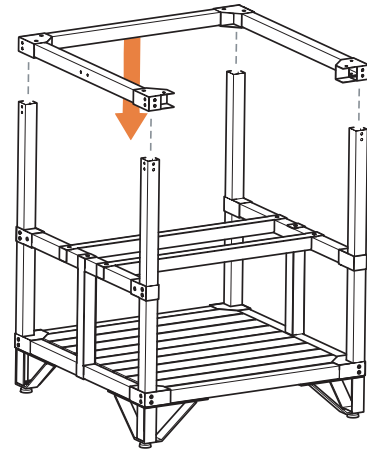
5



8X

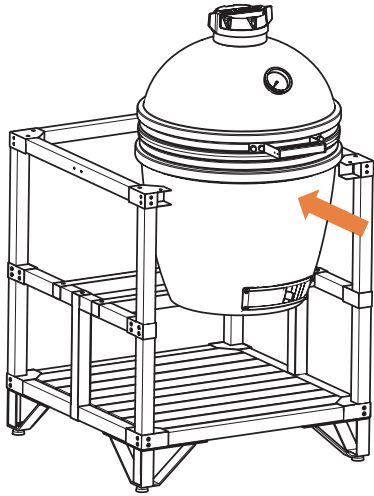


6

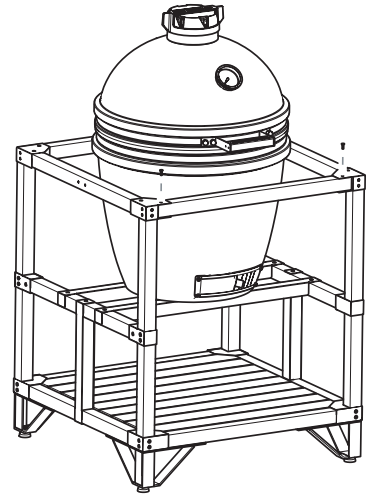
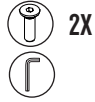


BSOK 1 THE BASE

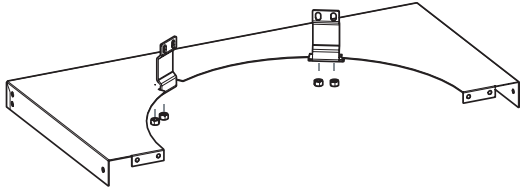
7



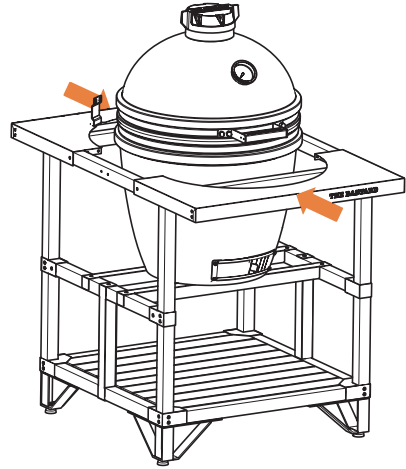
8



9

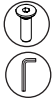


10

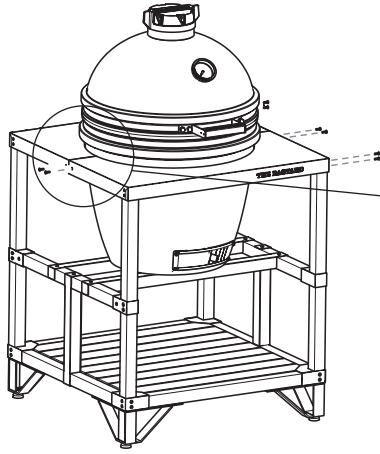


BSOK 1 THE BASE

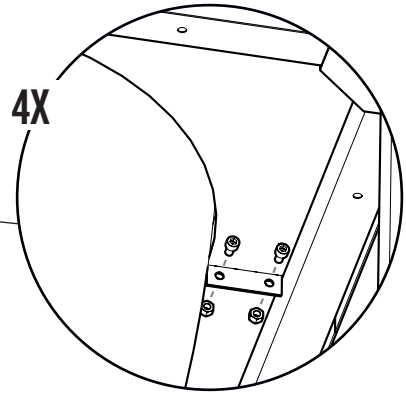
11



8X



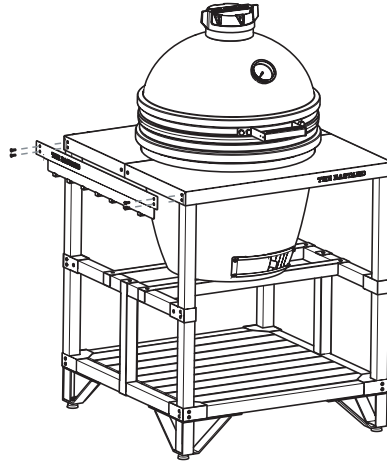
4X



12



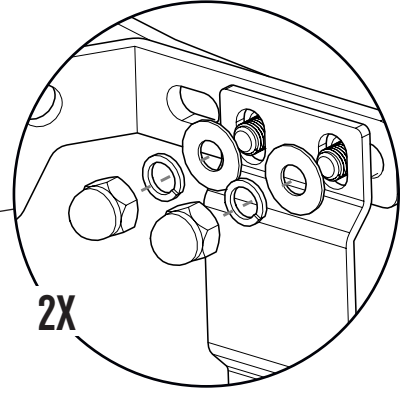
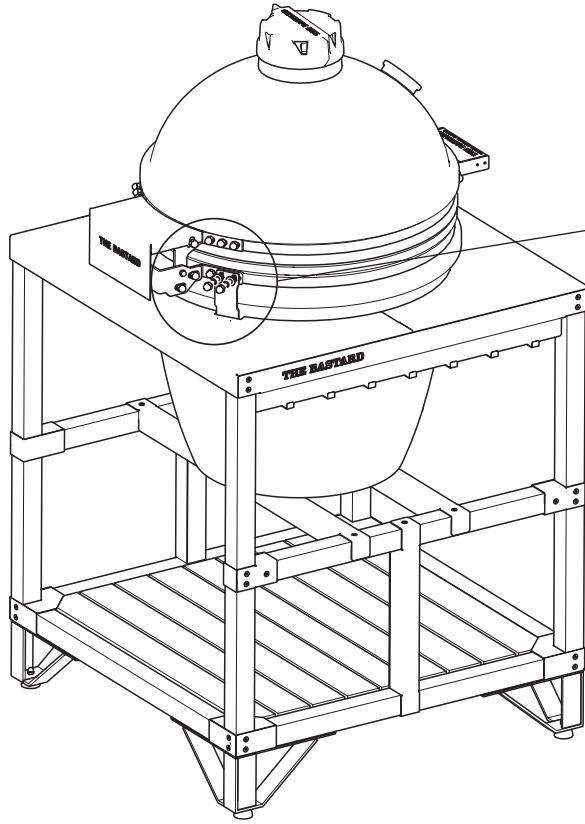
4X



BSOK 1 THE BASE

THE BASTARD
SERIOUS OUTDOOR COOKING

13



BSOK 1 THE BASE

THE BASTARD
SERIOUS OUTDOOR COOKING

