

LITHIUM

LiFePO4

LITHIUM (LiFePO4) | High Performance

REF **BSLi-05**



12v VOLTAGE

48Wh ENERGY

280A CCA - A (EN)

TECHNOLOGY

- Lithium Iron Phosphate cells construction
- Pre-charged batteries
- Homologated by OEM

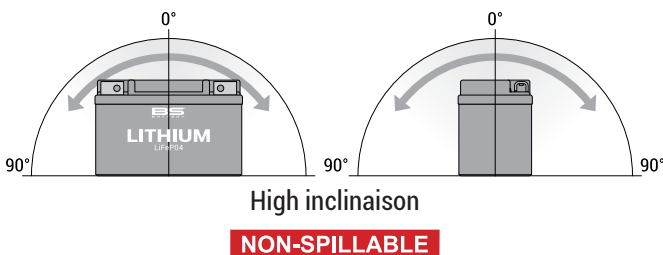
FEATURES

- Fast charging
- Multi-positioning mounting
- Very safe and environmental friendly
- Extensive cycle life: over 2000 cycles
- Very low self-discharge
- Cold temperature performance
- Waterproof design
- Ready to use: just plug and play
- Robust brass terminals
- Heat resistance: up to 230 C°
- Lighter weight

REPLACEMENTS

BB10L-A2/B2	BTX14AHL-BS	BB10L-A2/B2	12N14-3A
BB12AL-A2		BB10L-BP	
BB10L-B/B2		BB12AL-A	
BB14L-A2/B2		BB12AL-A2	
BB16AL-A2		BB14L-A1/A2	
		BB14L-B2	
		BB16AL-A2	

MOUNTING ANGLE

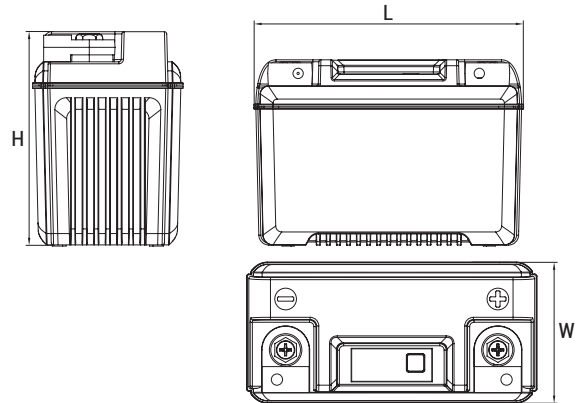


OPERATING TEMP. RANGE

Charge temperature:	0°C to 45°C
Discharge temperature:	-20°C to 55°C
Storage temperature:	0°C to 30°C

DIMENSIONS & WEIGHT

Length (L):	134±1mm
Width (W):	65±1mm
Height (H):	92±2mm
Weight:	0.95kg (tolerance ±3%)



TERMINALS (mm)

